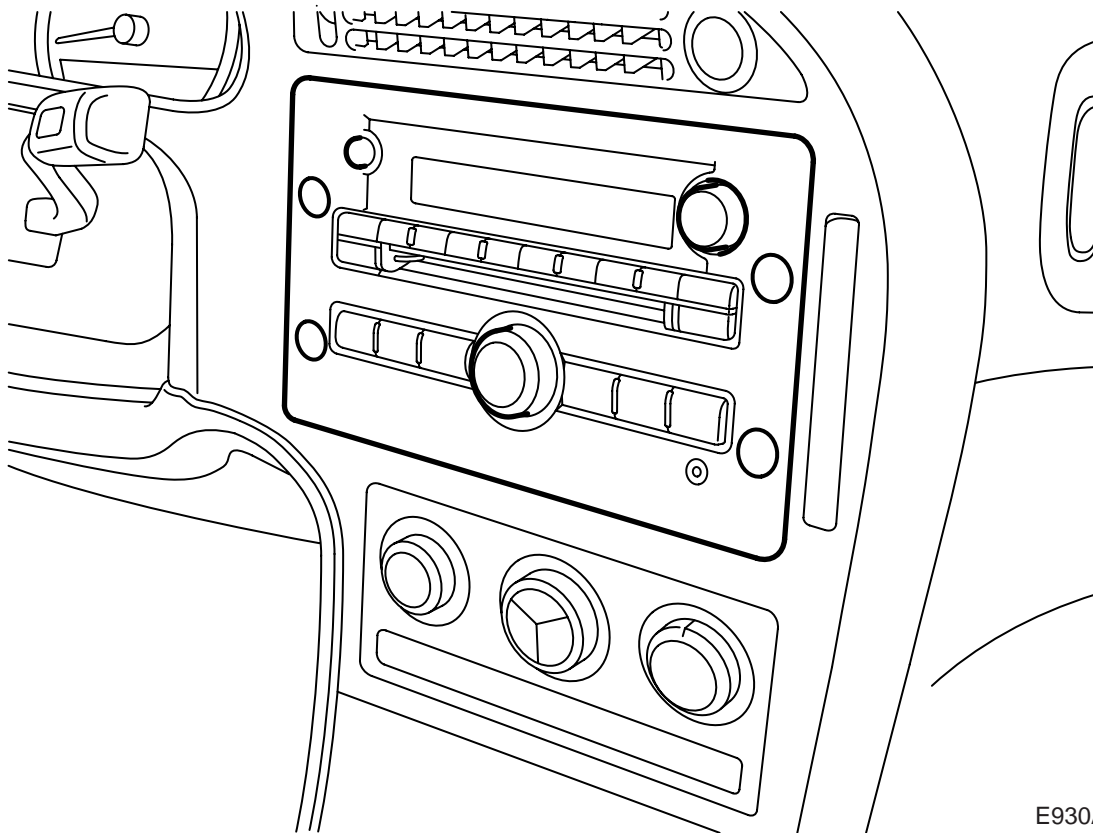




**MONTERINGSANVISNING · INSTALLATION INSTRUCTIONS  
MONTAGEANLEITUNG · INSTRUCTIONS DE MONTAGE**

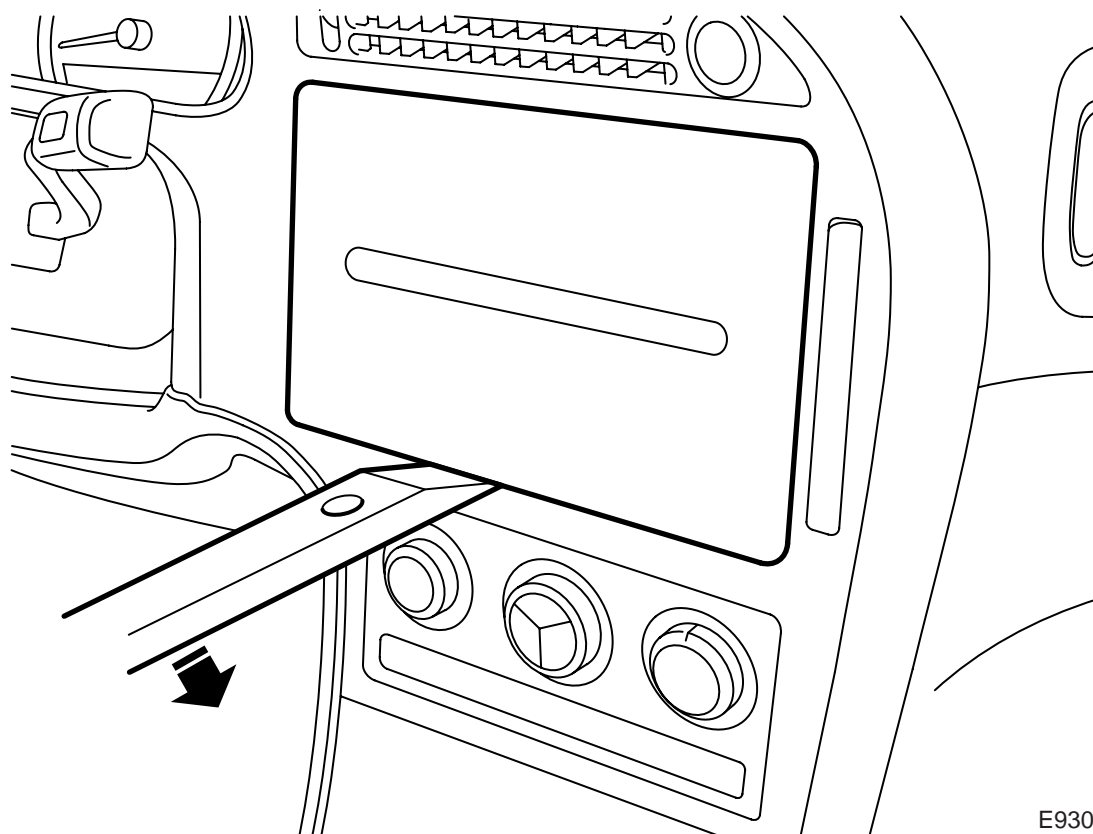
**Saab 9-5 M06-**  
Radio

Accessories Part No.	Group	Date	Instruction Part No.	Replaces
12 772 900 12 772 901 12 772 902	9:36-30	Sep 06	32 025 699	32 025 699 Sep 05



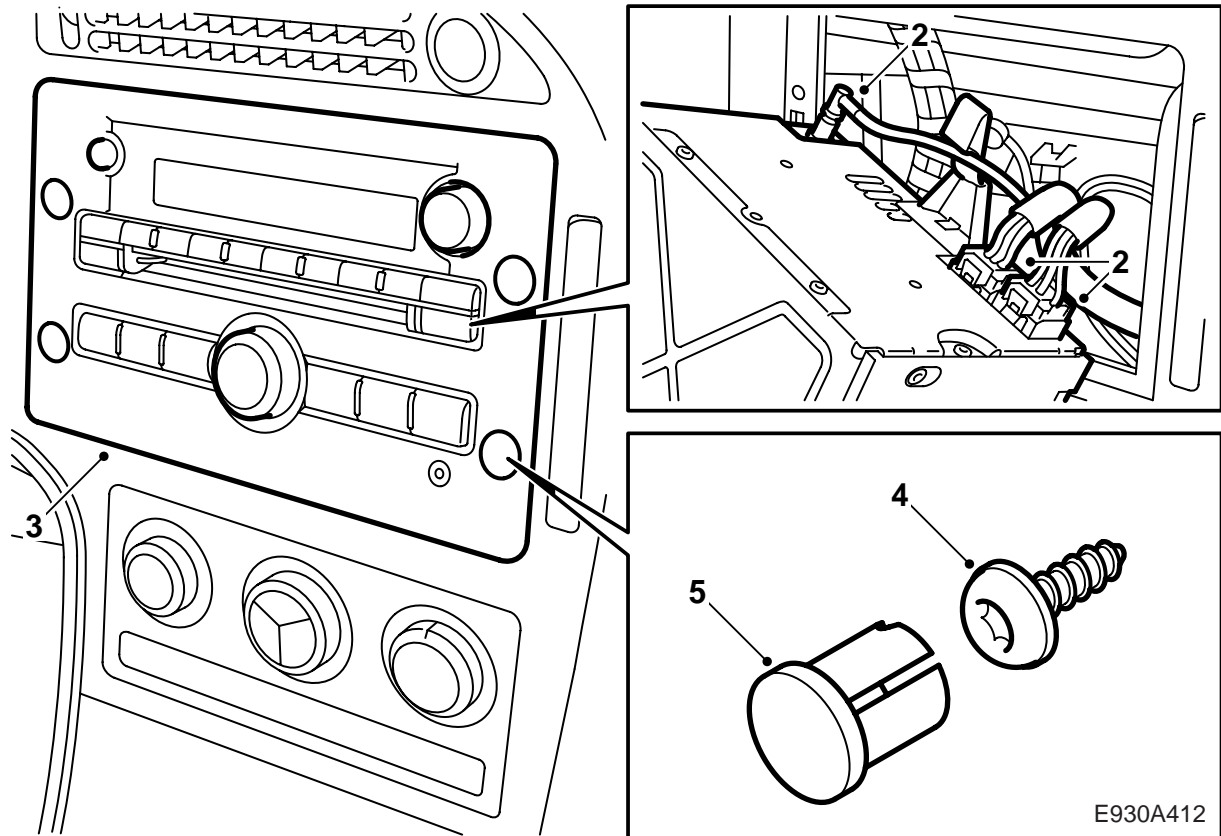
E930A410

## Fitting a radio in cars without audio system



E930A411

- 1 Remove the cover using 82 93 474 Removal tool.



2 Plug the connector and antenna connection into the unit.

### Note

Before the unit has been "MARRIED" with the car, "NO VIN" is shown on the radio's display.

- 3 Insert the unit in the centre console.
- 4 Fit the screws.
- 5 Fit new plugs, make sure that the plugs are guided in the grooves.
- 6 With Tech2 connected and communication established with the audio system, select "PROGRAMMING" in the system menu.  
The text "MARRIAGE/DIVORCE" is shown.
- 7 Press "ENTER".
- 8 Select MARRIED with the change button and press "OK".
  - "MARRIED" must be selected for the installation of a head unit in a Saab 9-5.
- 9 "NO VIN" disappears from the radio display.
- 10 Perform spare parts programming.

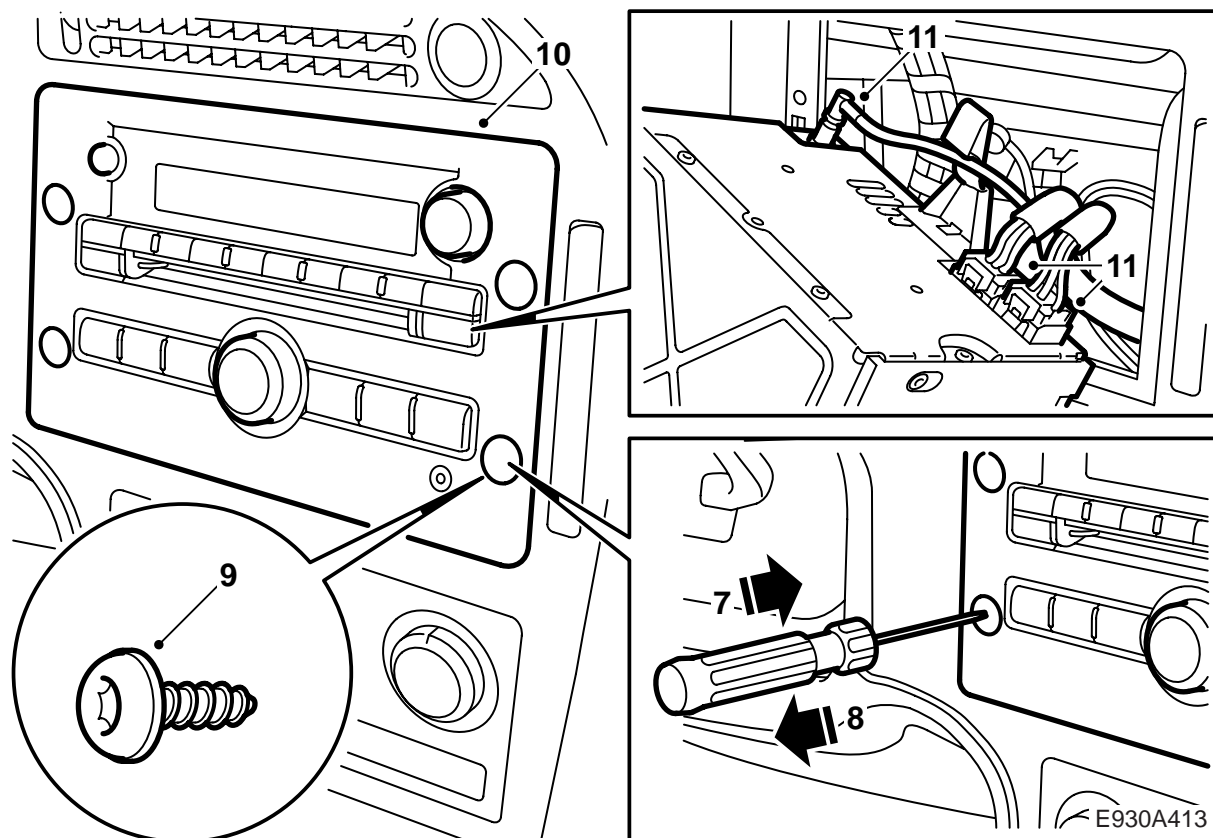
11 Set the time and date on the unit's clock.

### ⚠ WARNING

**The CD player in the head unit is a Class 1 laser product.**

- Service and repair of the CD player in the head unit must only be carried out by qualified technicians.
- If the cover on the head unit is damaged then laser radiation may arise with risk of personal injury.

## Replacing the radio with CD player/changer



- 1 Connect Tech2.
- 2 Establish communication with the audio system.
- 3 Select "PROGRAMMING" in the system menu.  
The text "MARRIAGE/DIVORCE " is shown.
- 4 Press "ENTER".
- 5 Select DIVORCED with the change button and press "OK ".
  - When removing a head unit (to install it in another car or to return it for warranty repair) "DIVORCED " must be selected.
- 6 The radio mutes and "NO VIN" is shown on the radio display.
- 7 Remove the plugs carefully by pressing a small screwdriver through them.
- 8 Pull out the plugs with the screwdriver.
- 9 Remove the screws.
- 10 Pull out the unit.
- 11 Unplug the connectors and the antenna connection.
- 12 Carry out steps 2-11 in the section entitled "Fitting a radio in cars without audio system" in these installation instructions.