

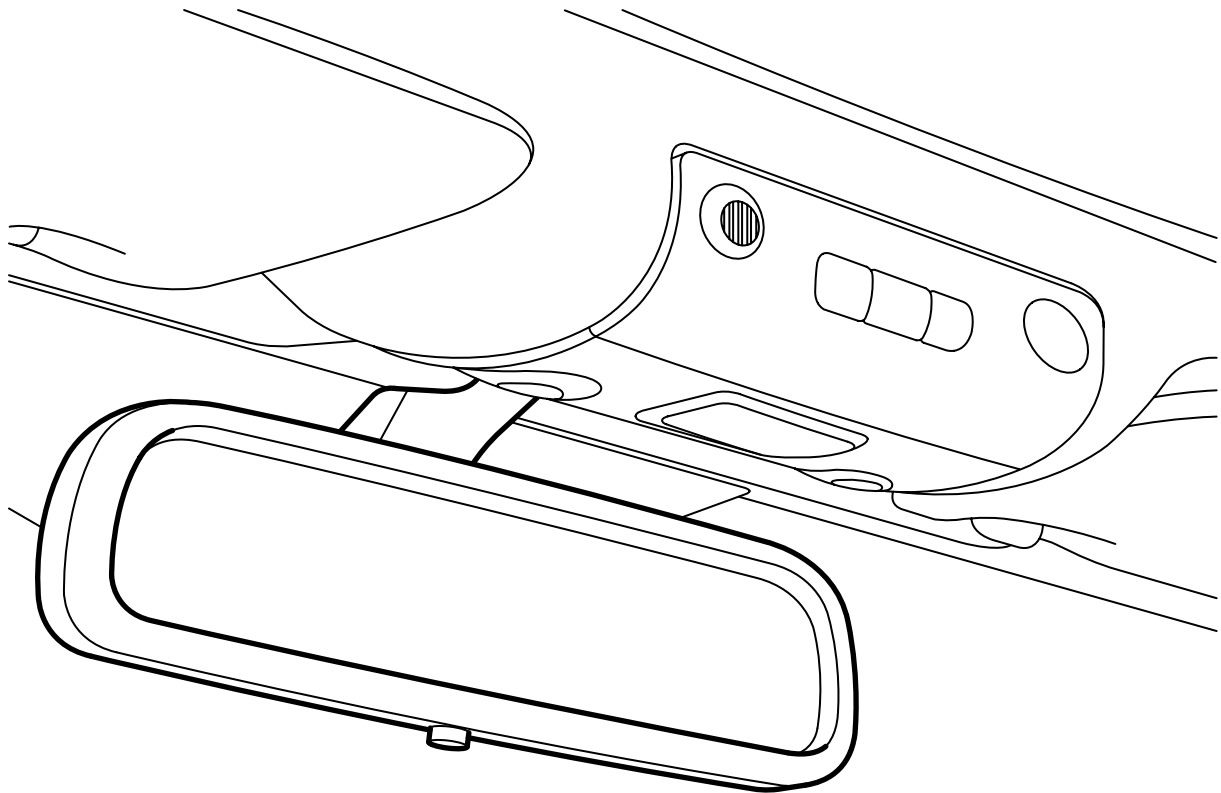


**MONTERINGSANVISNING · INSTALLATION INSTRUCTIONS
MONTAGEANLEITUNG · INSTRUCTIONS DE MONTAGE**

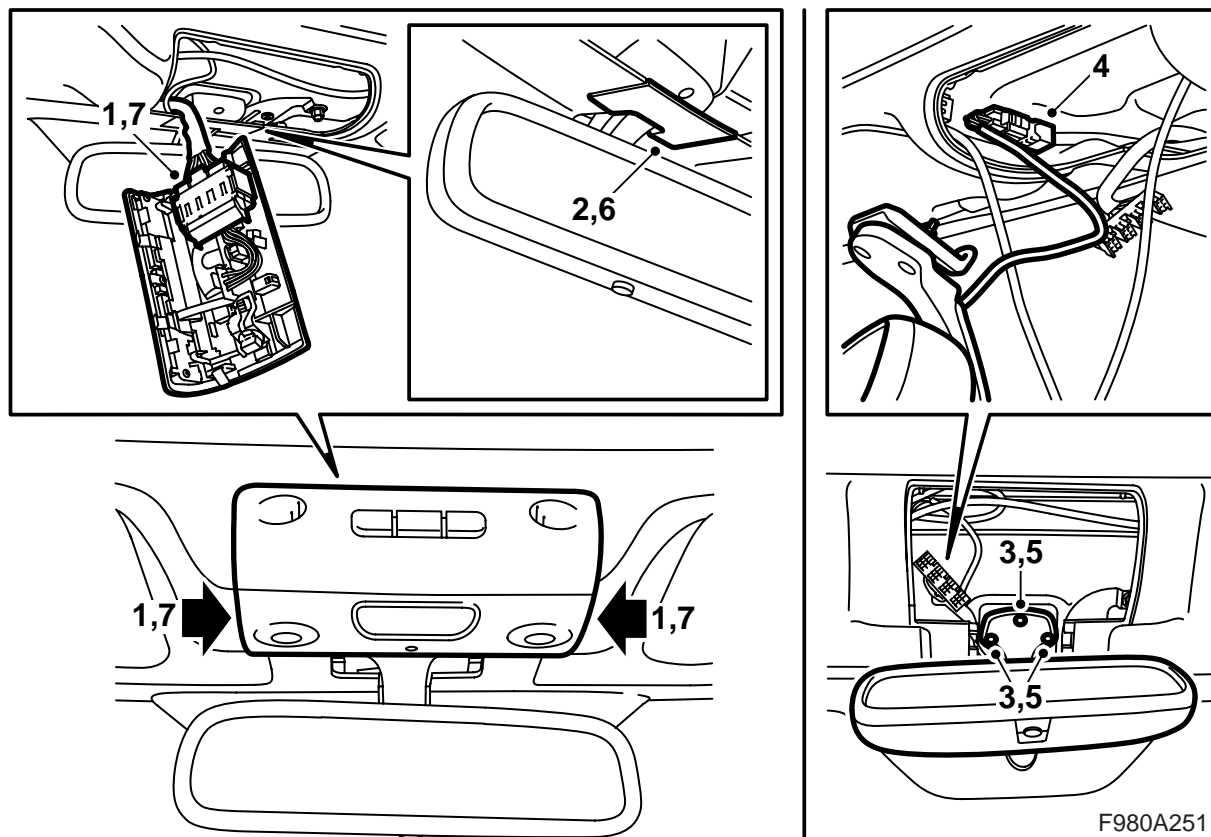
Saab 9-3 CV M04-

Automatic anti-dazzle rear-view mirror

Accessories Part No.	Group	Date	Instruction Part No.	Replaces
12 756 339				
12 777 849				
12 777 850				
12 789 849				
12 833 884				
32 000 576	9:85-24	Oct 06	12 833 885	12 833 885 Apr 03



F980A250



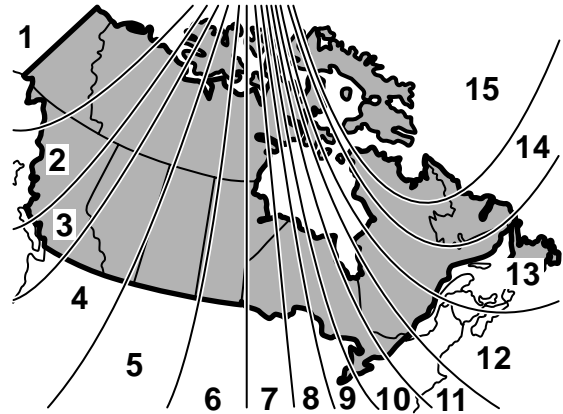
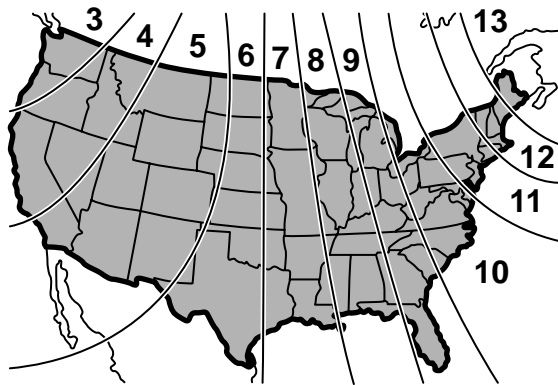
F980A251

- 1 Remove and disconnect the roof lighting.
- 2 Remove the mirror base cover panel.
- 3 Remove the rear-view mirror.
- 4 Plug in the connector.
- 5 Run the wiring harness to the left of the rear-view mirror mounting and fit the rear-view mirror.

⚠ WARNING

Make sure the wiring harness is not pinched. Incorrect fitting can damage the cables and cause short-circuits/fire.

- 6 Fit the mirror base cover panel.
- 7 Connect and fit the roof lighting.
- 8 Check the function of the mirror and the lamps.
- 9 **Rear-view mirror with compass:** Calibrate the compass, see page 3. If necessary, change compass zone, see page 3.
- 10 Hand over the installation instructions to the customer and bring attention to the user instructions.



D980A352

User instructions

The rear-view mirror has two sensors, one facing the front and the other facing the rear. When the front-facing sensor detects that it is dark outside, the system will be activated so that any bright light falling from behind will gradually darken the rear-view mirror to reduce the brightness. As the bright light subsides, the mirror will gradually return to normal.

Automatic anti-dazzle can be switched off using the button under the rear-view mirror. For other questions, refer to the Owner's Manual.

Calibration/Programming

Rear-view mirror with compass: Calibrate the compass by holding the "AUTO" button depressed until "CAL" and a compass point are shown in the compass window. Release the button. Slowly drive the car in a circle until "CAL" disappears. The compass is now calibrated. For other questions, refer to the Owner's Manual.

Rear-view mirror with compass: Change the compass zone by holding the "AUTO" button depressed until "ZONE" and a compass point are shown in the compass window. Release the button. You can now change the compass zone using the "AUTO" button (see illustration for compass zone options). Release the "AUTO" button once the correct compass zone has been selected. Once "ZONE" disappears, the compass zone is stored. For other questions, refer to the Owner's Manual.

Rear-view mirror with garage door remote control: For programming, see the Owner's Manual.