

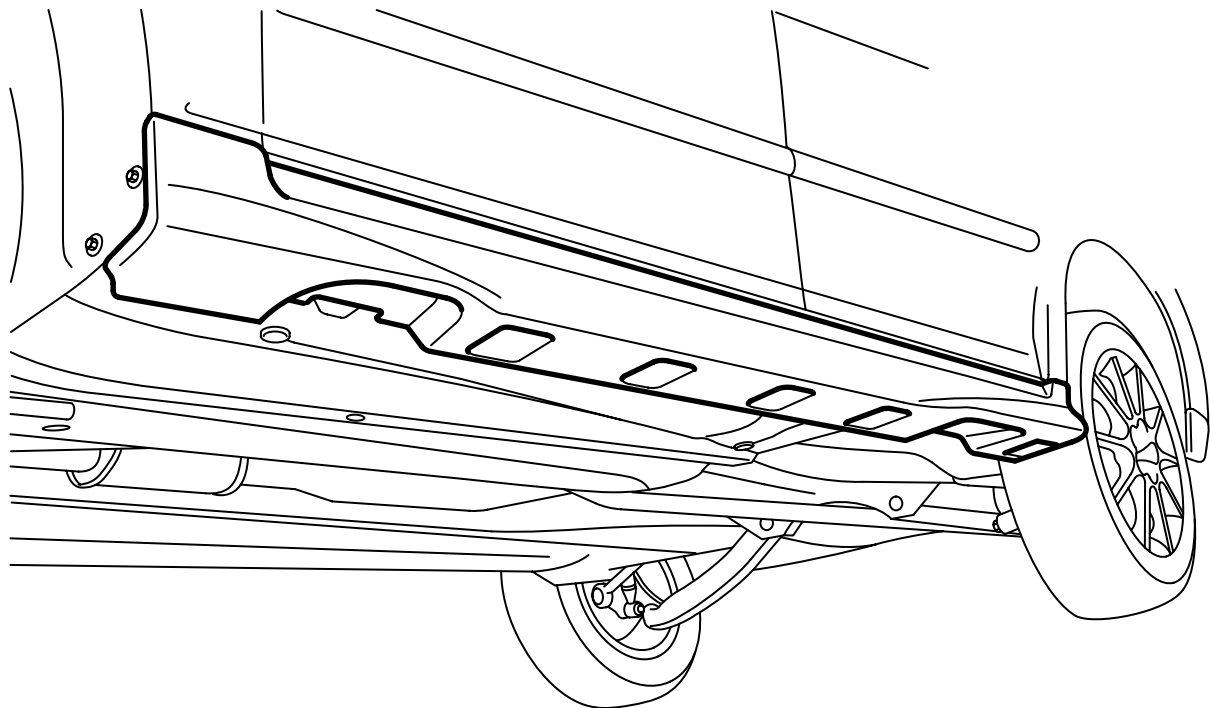


**MONTERINGSANVISNING · INSTALLATION INSTRUCTIONS  
MONTAGEANLEITUNG · INSTRUCTIONS DE MONTAGE**

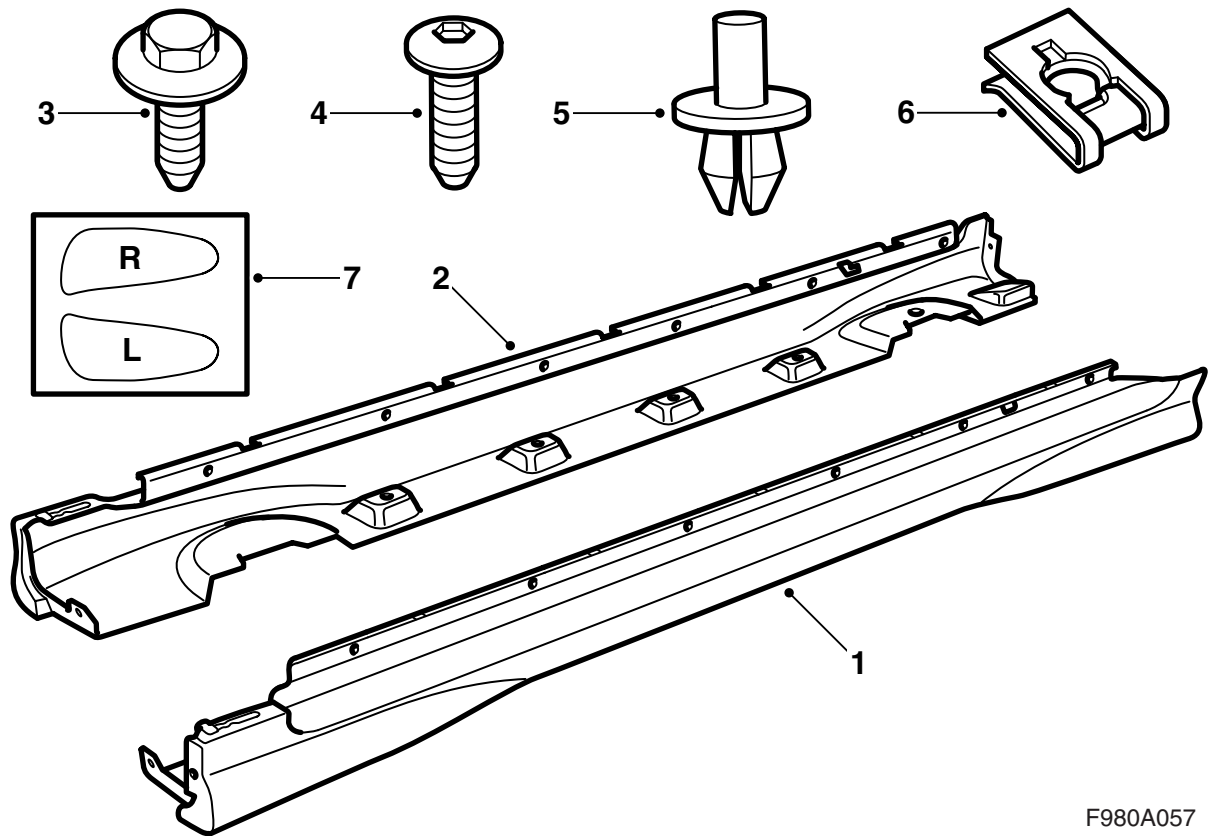
**Saab 9-3 M03-**

**Sill covers**

Accessories Part No.	Group	Date	Instruction Part No.	Replaces
12 787 094	9:84-16	Sep 02	12 798 025	12 798 025 Mar 02

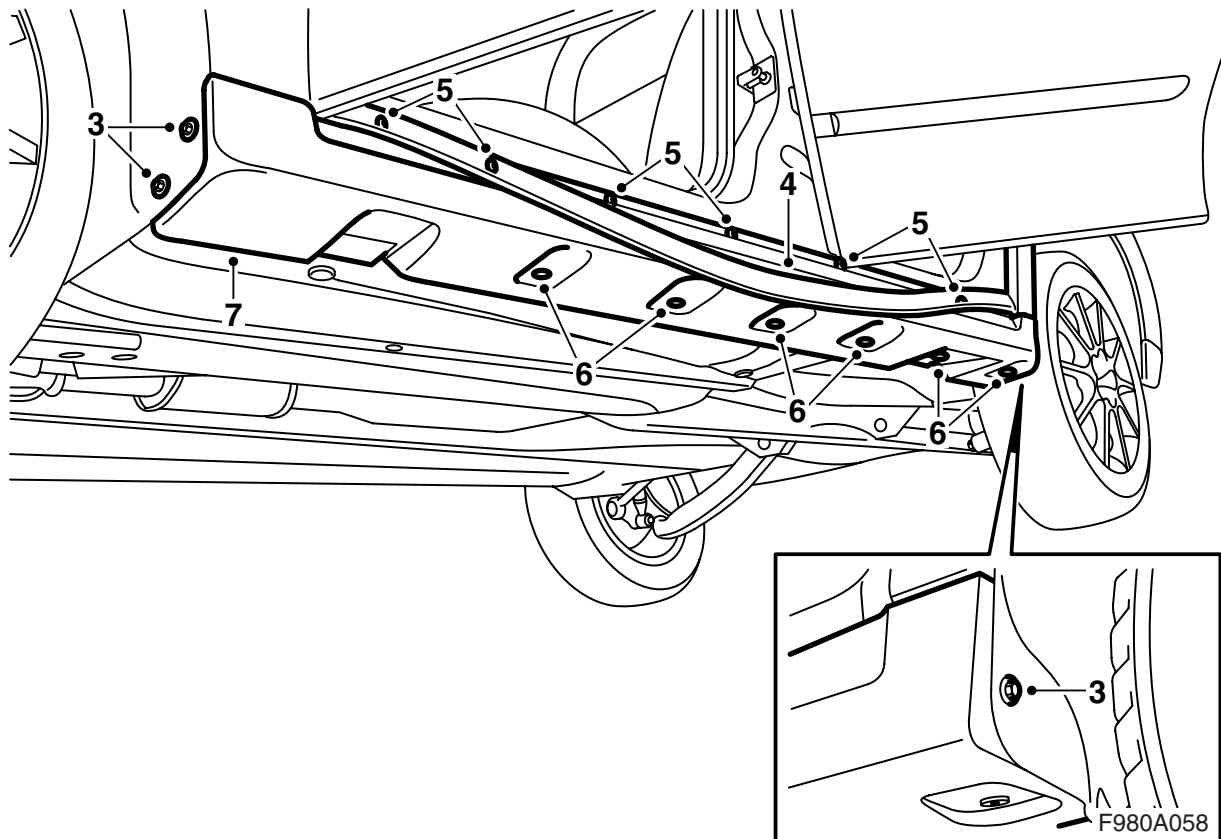


F980A056



F980A057

- 1 Sill cover L
- 2 Sill cover R
- 3 Screw with washer (x6)
- 4 Bolt (x12)
- 5 Plastic rivet (x12)
- 6 Clip nut (x6)
- 7 Stone chip protection tape, right (R) and left (L)



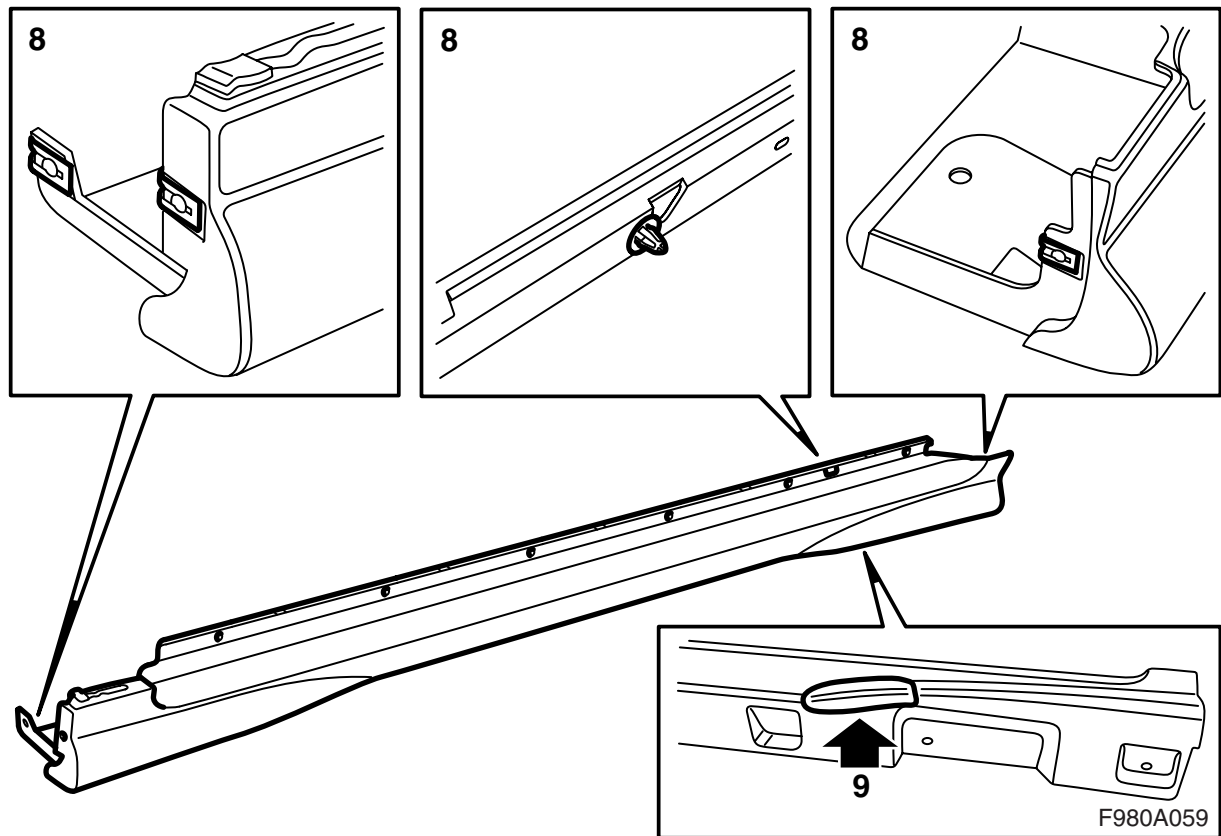
The sill covers have been treated with grey primer and are ready for painting.

- 1 Paint the sill covers the same colour as the body; see "Directions for painting preprimed PP/EPDM plastic" in these installation instructions.
- 2 Raise the car.
- 3 Remove the screws at the wheel housings on the left-hand side of the car.
- 4 Remove the rubber moulding from the old sill cover, but not from the front wing.

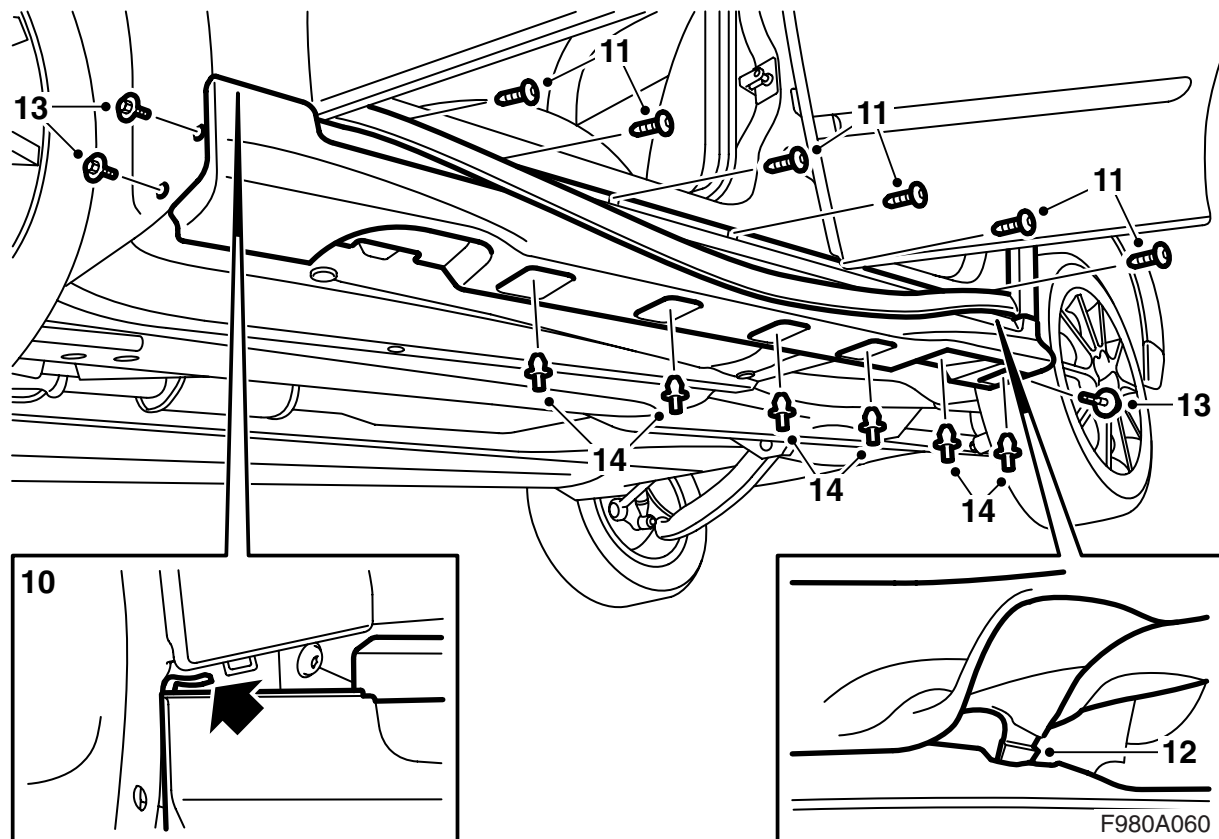
### Important

Do not pull off the rubber moulding from the front wing as the wing liner must then be removed so that the rubber moulding can be refitted.

- 5 Remove the screws of the old sill cover behind the rubber moulding.
- 6 Remove the plastic rivets by pressing in the centre pin.
- 7 Remove the sill guard by loosening the rear edge and pressing it forward so it releases from the front wing. Gather the clip centre pins.



- 8 Remove the plastic clip from the old sill cover and fit it in the same position on the new one. Fit the clip nuts to the front and rear ends of the sill covers.
- 9 Affix the stone chip protection tape in the following way:
- Clean the surface on which the stone chip protection tape is to be affixed.
  - Brush the area on which the stone chip protection tape is to be affixed with soapy water.
  - Separate the stone chip protection tape from the backing and place the tape on the sill cover.
  - Position the stone chip protection tape at the bottom, bend the tape upwards and start pressing out the soapy water at the top of the stone chip protection tape. Press out the air and soapy water at the bottom so that the stone chip protection tape adheres.



- 10 Pull out the rear edge of the plastic wheel housing slightly, hook the new sill cover into the front wing and press in the clip at the rear door.
- 11 Fit the screws behind the rubber moulding.
- 12 Press the rubber moulding into place and press its lip into the groove in the rear edge of the sill cover by stretching the rubber moulding slightly forward, inserting the lip into the groove and moving the rubber moulding back.
- 13 Fit the sill cover screws at the wheel housings.
- 14 Fit the plastic rivets and tap in the centre pin. Check the fit of the sill cover.
- 15 Repeat steps 2-14 on the right-hand side of the car.
- 16 Lower the car.

### **Directions for painting preprimed PP/ EPDM plastic**

- Place the sill covers in such a way as they will not be distorted while painting.
- The temperature must not exceed +40°C (104°F).
- The sill covers are primed on delivery.
- Use clean gloves when handling the sill covers.

### **Drying times**

70 minutes at 40°C (104°F).

### **Preparations**

- Smooth off the primed surface thoroughly. Use abrasive paper 3M 1200 or 800.