

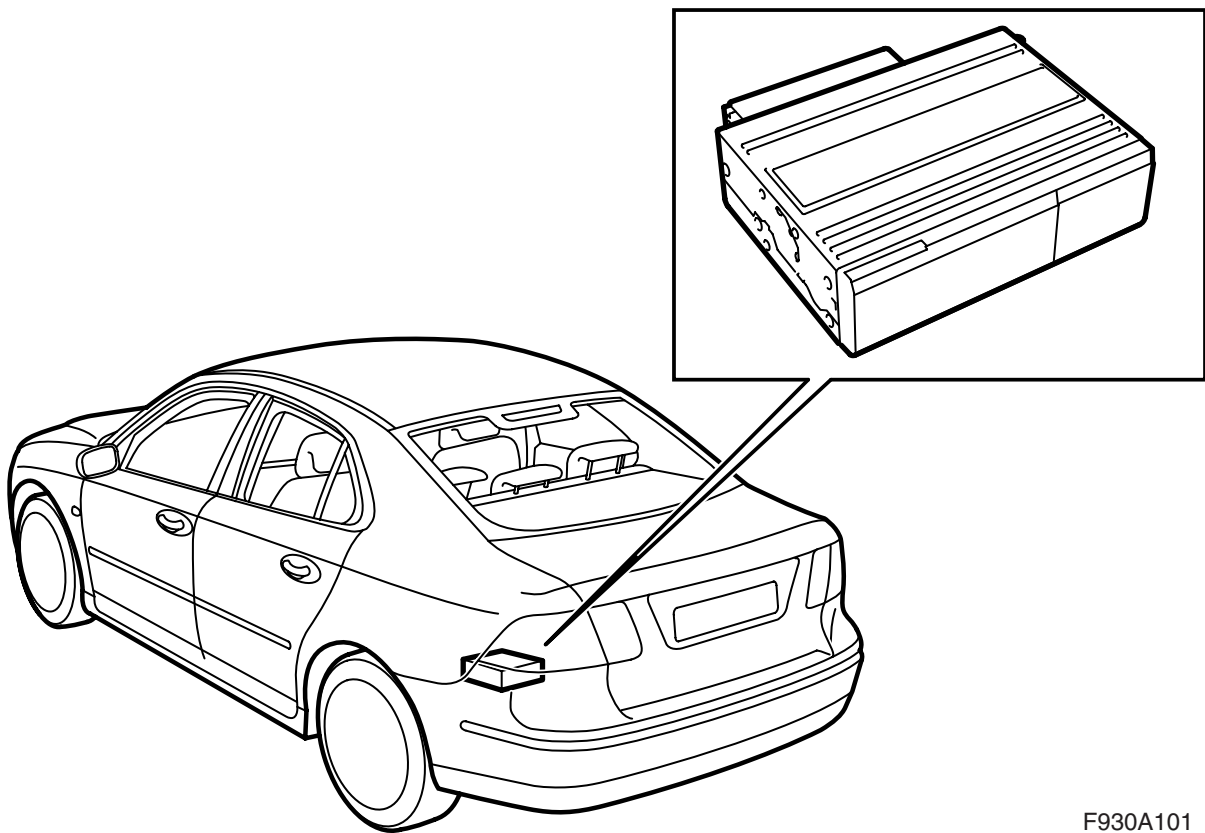


**MONTERINGSANVISNING · INSTALLATION INSTRUCTIONS  
MONTAGEANLEITUNG · INSTRUCTIONS DE MONTAGE**

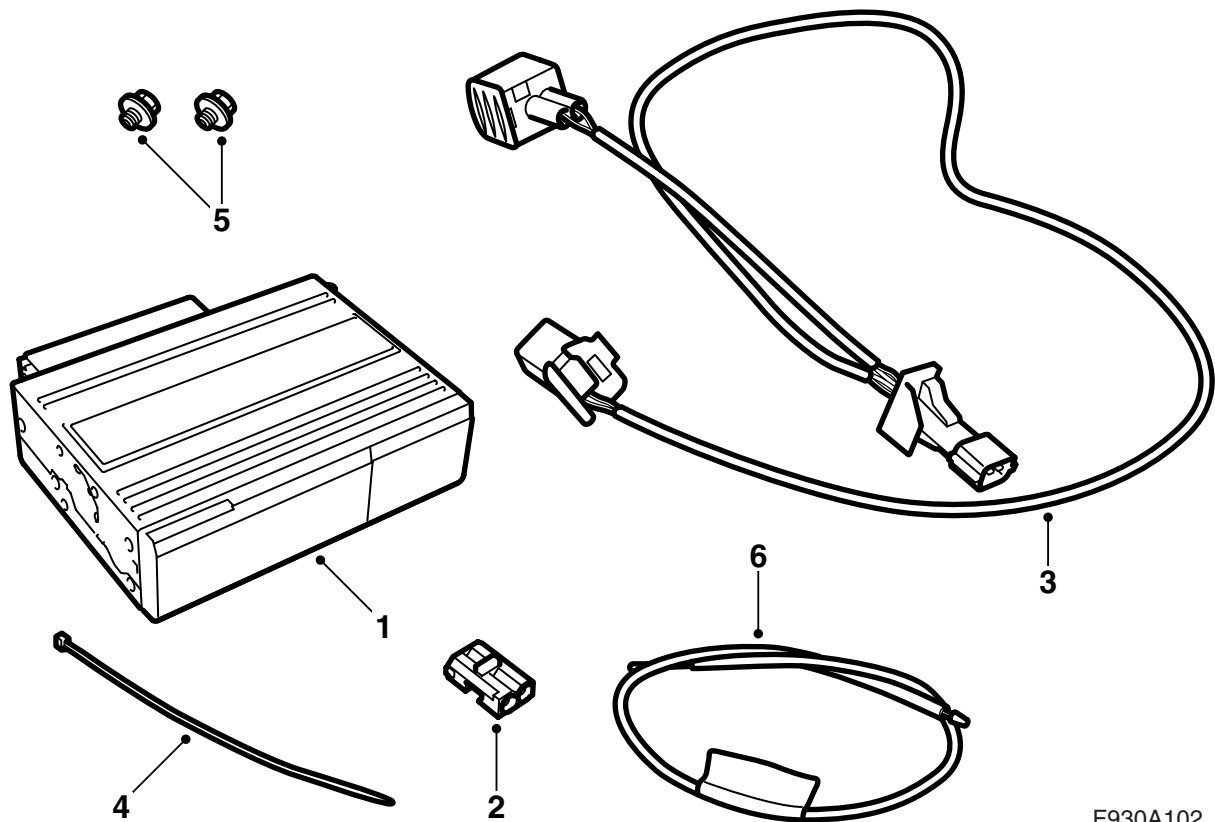
**Saab 9-3 M03-**

CD changer, luggage compartment

Accessories Part No.	Group	Date	Instruction Part No.	Replaces
12 787 147	9:36-23	Nov 02	12 788 445	



F930A101



F930A102

- 1 CD changer
- 2 2-pin fibre-optic cable connector
- 3 Wiring harness
- 4 Cable tie
- 5 Screw (x2)
- 6 Fibre-optic cable (use only if other equipment is mounted in the luggage compartment bracket)

**In addition, the following items are required (ordered separately)**

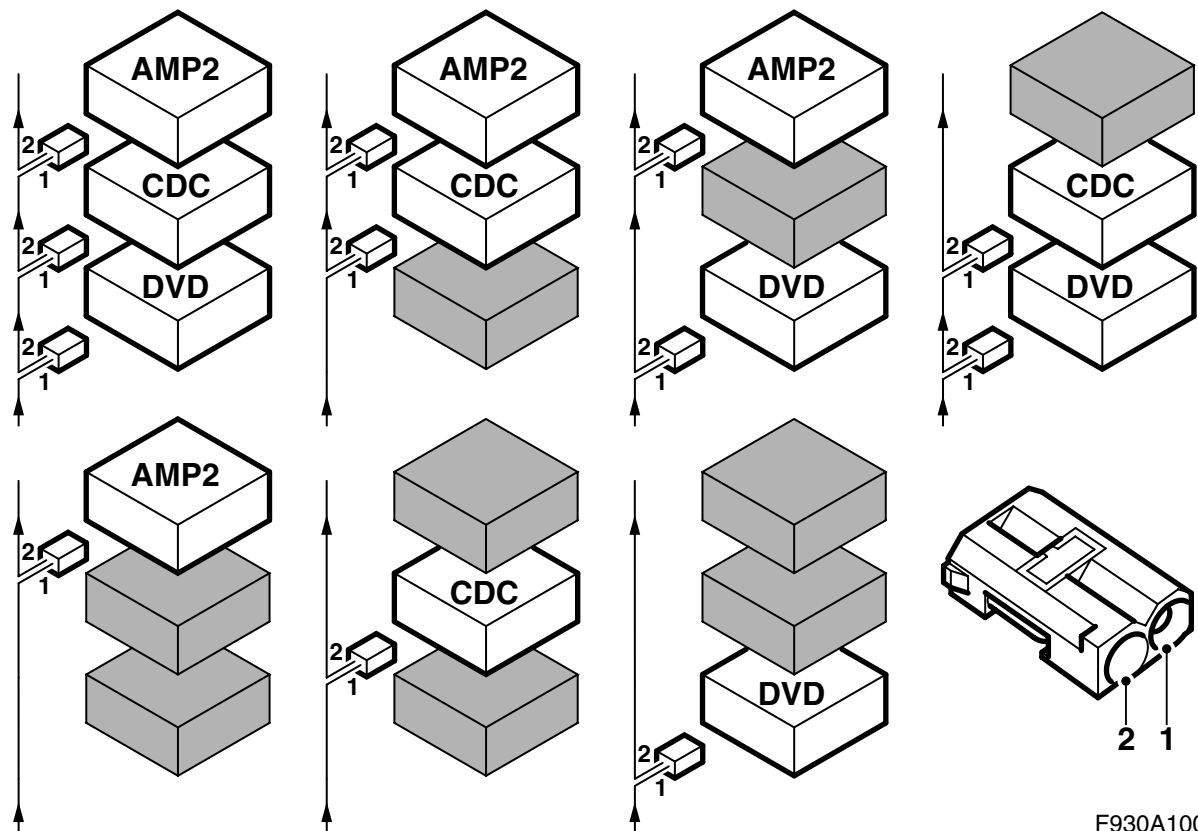
Luggage compartment equipment bracket (certain models) comprising:

- Bracket
- Screw (x3)
- Nut
- Clip nut
- Side trim

### Fitting

For cars with no bracket near the REC, see page 4

For cars with a bracket near the REC containing an amplifier and/or a DVD player, see page 14



F930A100

## Bus Communication

A number of sections in the car's electrical system communicate using buses. There are three different types of bus communication: P-bus (Powertain bus), I-bus (Instrument bus) and O-bus (Optic bus). The audio system, together with the navigation and telephone system, communicate via the O-bus.

The O-bus is both an optic bus and a ring bus. Two fibre-optic cables are connected to each control module on the bus, one cable for receiving and one for transmitting. Received messages are converted by each control module from an optic signal to an electric signal; signals are converted back into optic signals when transmitted. Data transfer speed for the O-bus is 25 MB/s.

### Important

It is very important that everything connected to the O-bus is connected in a specific order (see illustration) and that the ring is closed at all times.

Connections made by means other than those described in these installation instructions may cause malfunctions in a number of other car systems.

AMP1 - amplifier located under the left-hand front seat

AMP2 - amplifier located near the REC

CDC - CD changer near the REC

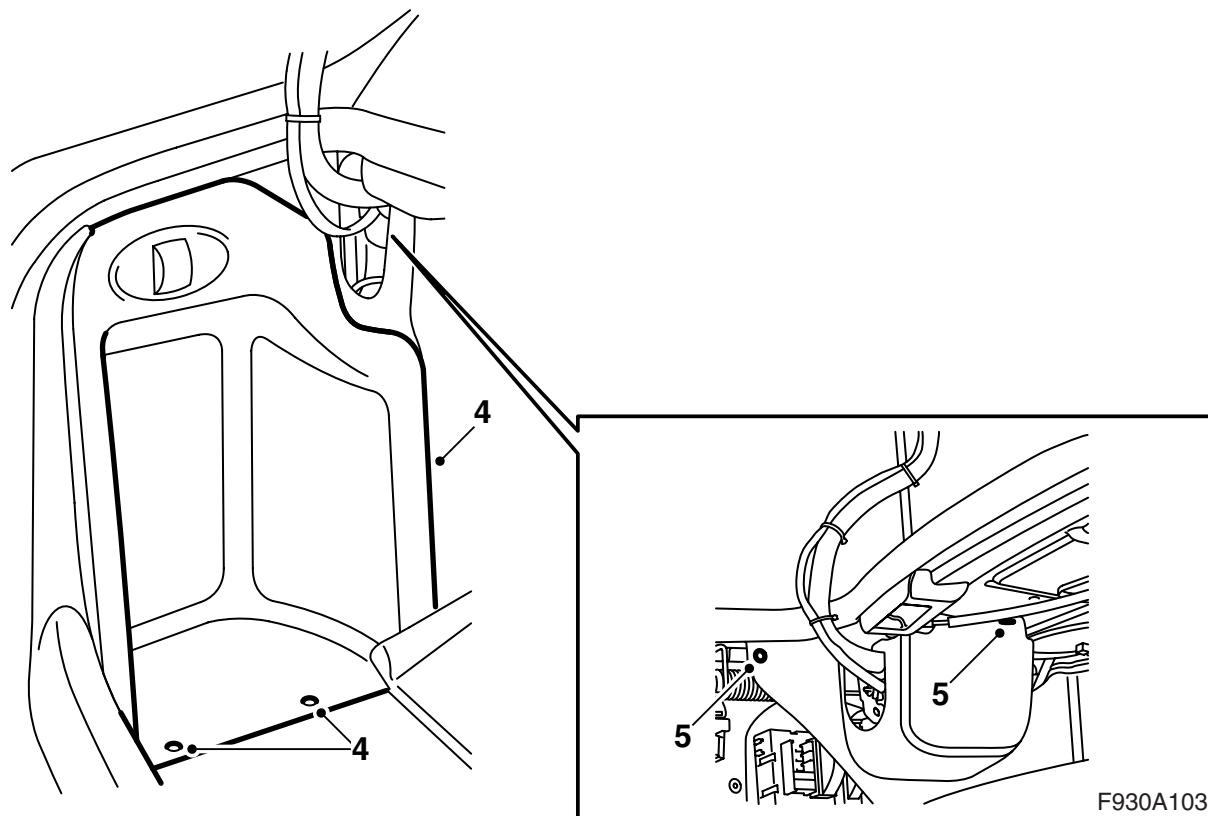
DVD - DVD player near the REC

When fitting new equipment which is to be connected to the O-bus, it is important that the equipment is connected on the correct side of the equipment already present.

### Important

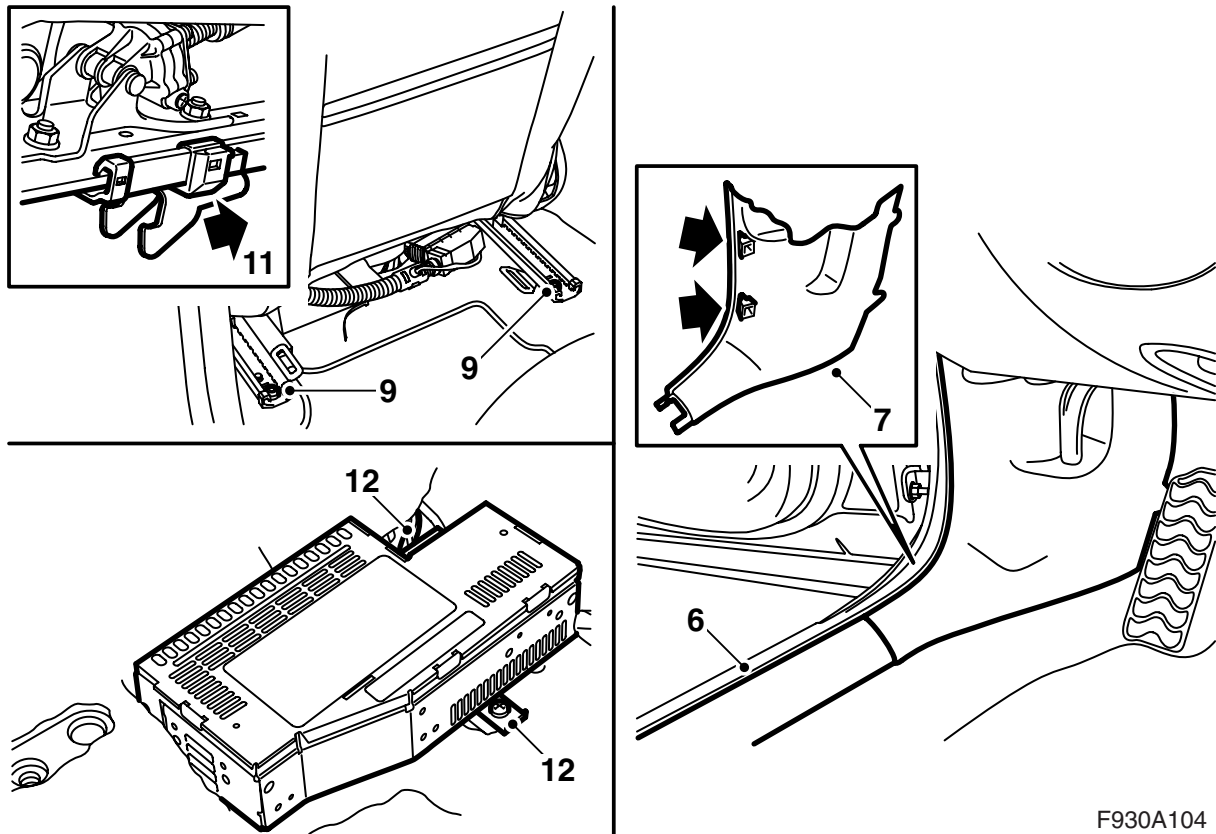
Handle the fibre-optic cables with care or the signal may be distorted.

- It is very important that the two leads in the connector are not confused with one another.
- Do not splice the cables.
- Do not bend the cable in a radius smaller than 25 mm.
- Do not expose the cable to temperatures exceeding 85 °C.
- Keep the cable ends free from dirt and grime.
- Do not expose the cable to impact as this may cause the transparent plastic to whiten, thereby reducing the intensity of the light and causing possible communication interruptions.
- The cable should not lie against any sharp edges as this may cause increased signal reduction.



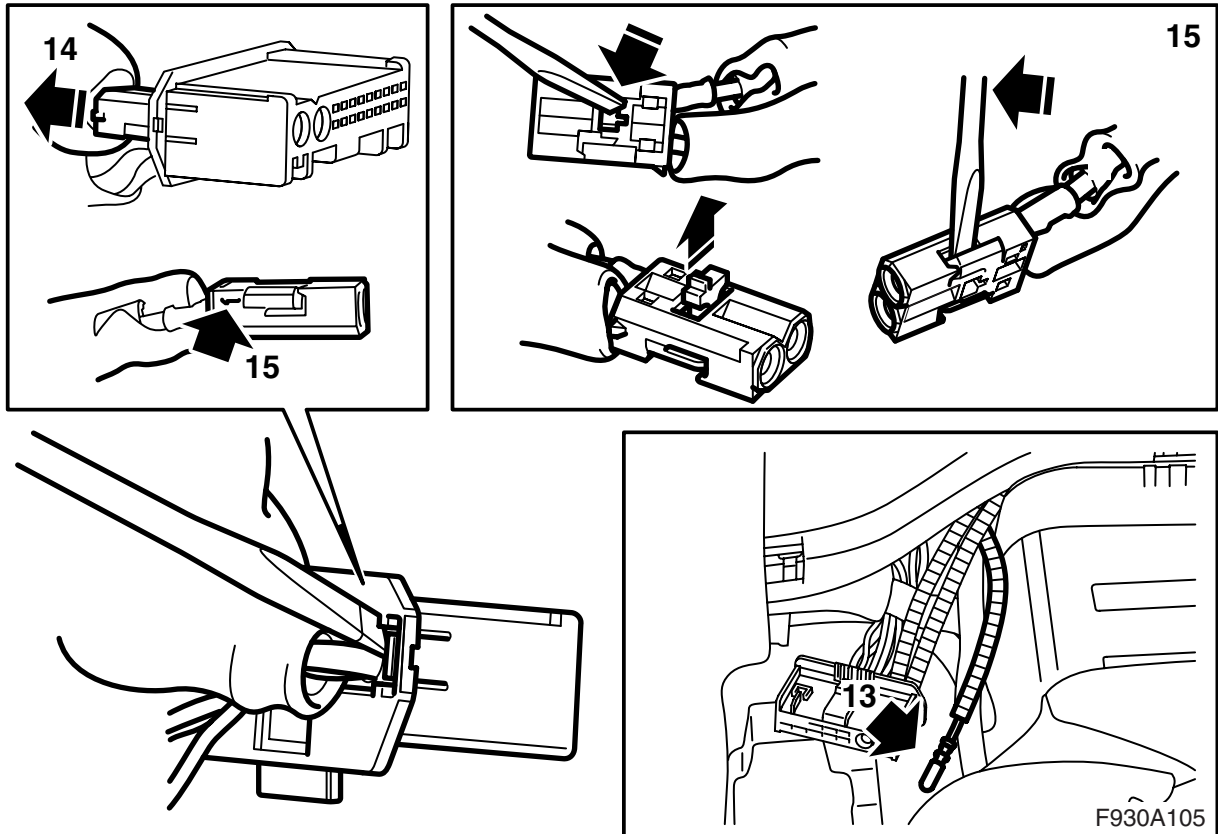
#### For cars with no bracket near the REC

- 1 Open the hatchback.
- 2 Remove the battery's minus cable and take the key from the ignition.
- 3 Raise the loading floor.
- 4 In the luggage compartment, remove the panel in the left-hand side trim and lower the panel on the right-hand side.
- 5 Remove the clip for the left-hand side trim and move the trim aside.



F930A104

- 6 Remove the left-hand front scuff plate.
- 7 Remove the lower section of the A-pillar trim on the left-hand side.
- 8 Place the left-hand front seat in its forwardmost position and lower the backrest forwards.
- 9 Remove the two rear retaining bolts from the seat.
- 10 Tip the seat forwards.
- 11 Pull the seat backwards so the retaining catches are detached from their position. Lower the entire seat towards the rear.
- 12 Remove the amplifier.



13 Locate the fibre-optic cable with green markings near the amplifier.

**If there is no colour marking:** Follow steps 35 and 36 in these installation instructions, illuminate the fibre-optic cable near the amplifier with a lamp and check the fibre-optic cables in the luggage compartment in order to identify the correct fibre-optic cable. Mark the cable with a piece of tape.

15 Remove the fibre optic cable connected to position 1 by opening the connector locking clip and carefully lifting the catch.

16 Remove the protective cover from the accessory kit fibre optic cable connection.

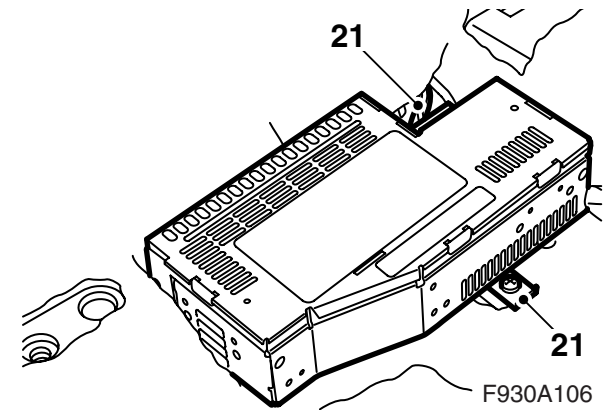
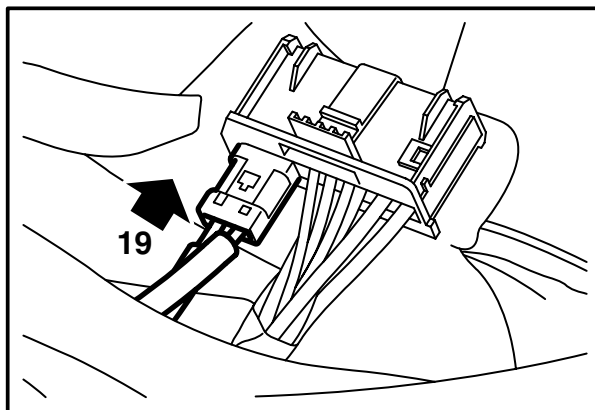
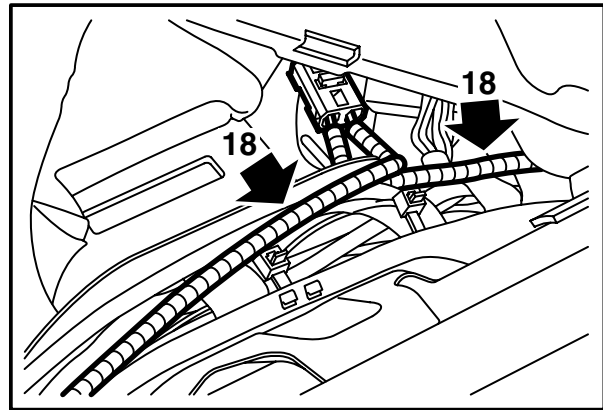
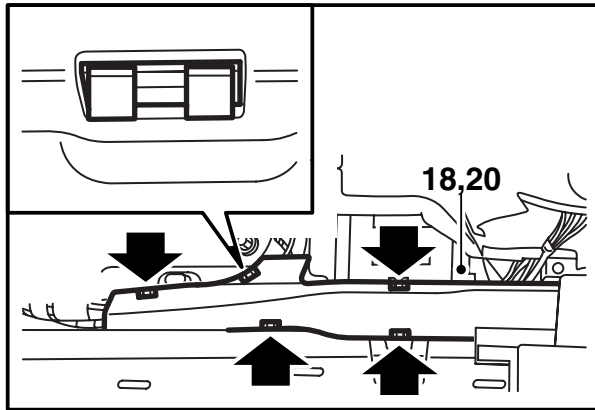
17 Fit the protective cover onto the removed fibre optic cable connector and carefully move the fibre optic cable aside in order to prevent damage.

### Important

Handle the fibre-optic cables with care or the signal may be distorted.

- It is very important that the two leads in the connector are not confused with one another.
- Do not bend the cable in a radius smaller than 25 mm.
- Keep the cable ends free from dirt and grime.
- Do not expose the cable to impact as this may cause the transparent plastic to whiten, thereby reducing the intensity of the light and causing possible communication interruptions.
- The cable should not lie against any sharp edges as this may cause increased signal reduction.

14 Unplug the fibre-optic cable connector (the small connector) from the amplifier connector.



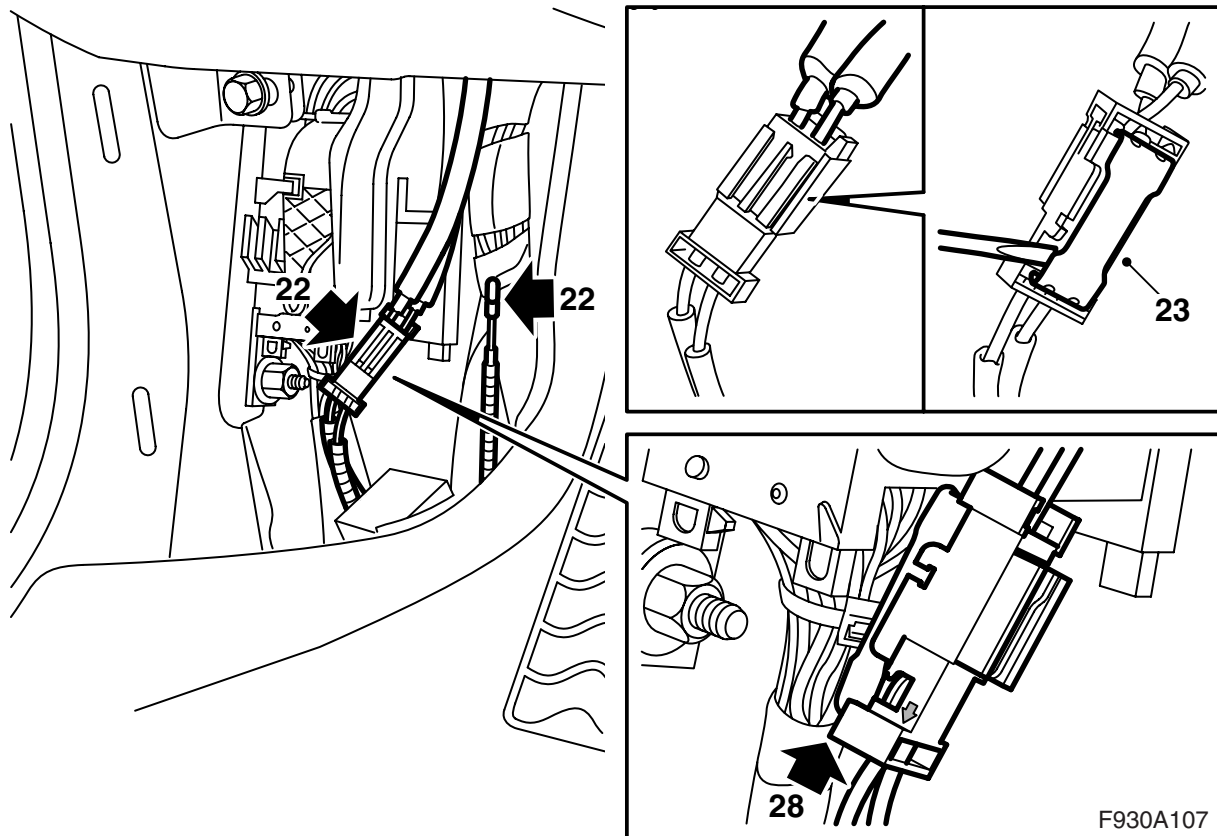
- 18 Remove the cover from the cable duct, check that the fibre-optic cable cannot bend and plug the fibre-optic cable connecting terminal into position 1 in the small control unit connector. Fit the locking clip.

### Important

Handle the fibre-optic cables with care or the signal may be distorted.

- It is very important that the two leads in the connector are not confused with one another.
- Do not bend the cable in a radius smaller than 25 mm.
- Keep the cable ends free from dirt and grime.
- Do not expose the cable to impact as this may cause the transparent plastic to whiten, thereby reducing the intensity of the light and causing possible communication interruptions.
- The cable should not lie against any sharp edges as this may cause increased signal reduction.

- 19 Fit the small connector to the large connector.
- 20 Fit the cover onto the cable duct, move the carpet back into place and run the connector and cables through the hole in the carpet.
- 21 Connect and fit the amplifier.



- 22 Locate the loose fibre-optic cable and junction connector with the coupled fibre-optic cables near the lower part of the left-hand A-pillar (taped to the cable duct).

**⚠ WARNING**

The visible red light is a class 1 laser. Do not look directly into the optical fibre or the control module connector at close range. A distance of less than 20 mm between your eyes and the light source may cause eye injury.

- 23 Lift the junction connector striker plate.
- 24 Remove the fibre-optic cable from the position in the junction connector where the arrow points outward; towards the fibre-optic cable.
- 25 Remove the tape from the loose fibre-optic cable.
- 26 Remove the protective cover from the accessory kit fibre optic cable connection.
- 27 Fit the protective cover onto the removed fibre optic cable connection and carefully move the fibre optic cable aside in order to prevent damage. Place the cable behind the wiring harness.
- 28 Fit the new fibre-optic cable connection into the connector and fit the striker plate.

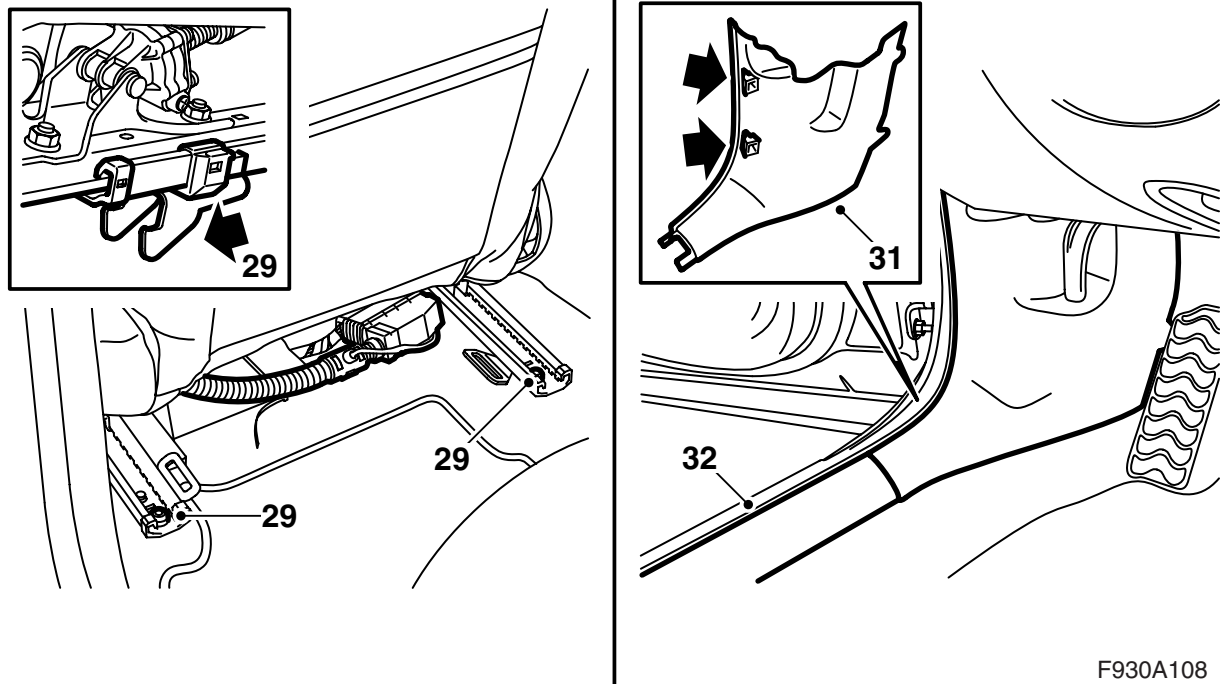
**Important**

Handle the fibre-optic cables with care or the signal may be distorted.

- It is very important that the two leads in the connector are not confused with one another.
- Do not bend the cable in a radius smaller than 25 mm.
- Keep the cable ends free from dirt and grime.
- The cable should not lie against any sharp edges as this may cause increased signal reduction.

- 25 Remove the tape from the loose fibre-optic cable.





29 Place the seat in the correct position; make sure the retaining catches are correctly positioned in their mountings. Fit the rear retaining bolts.

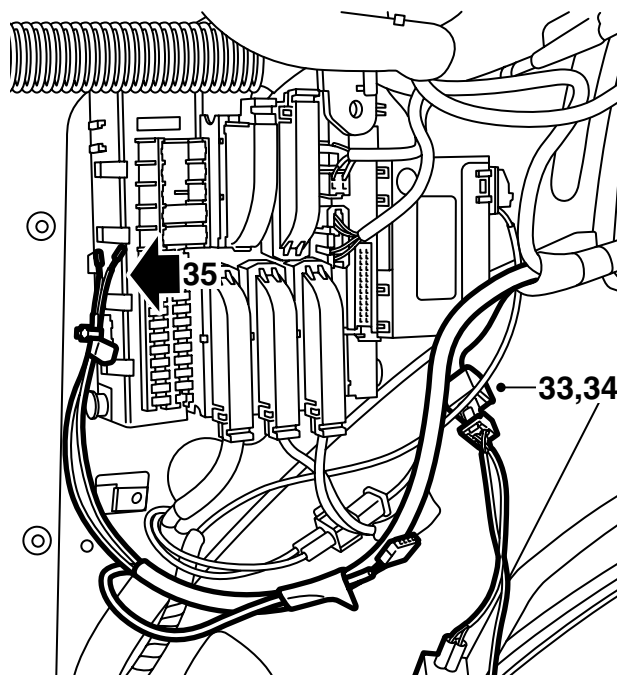
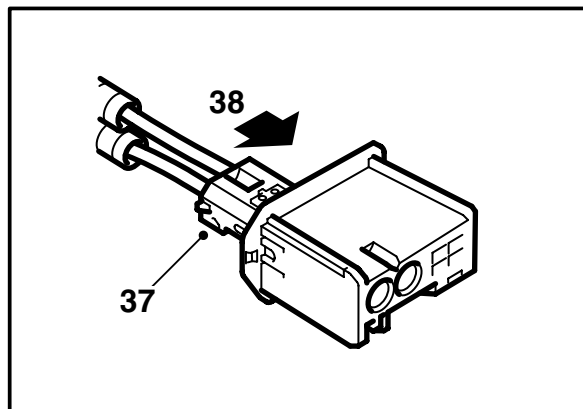
**Tightening torque 30 Nm (22 lbf ft)**

30 Slide the seat back and return the backrest to its previous position.

31 Fit the A-pillar trim.

32 Fit the scuff plate.

F930A108



F930A109

- 33 Locate the connector for the CD changer near the REC.
- 34 Attach the accessory kit wiring harness to the connector.
- 35 Locate the fibre-optic cables near the REC.
- 36 Remove the protective covers from the fibre-optic cable connections.

**⚠ WARNING**

The visible red light is a class 1 laser. Do not look directly into the optical fibre or the control module connector at close range. A distance of less than 20 mm between your eyes and the light source may cause eye injury.

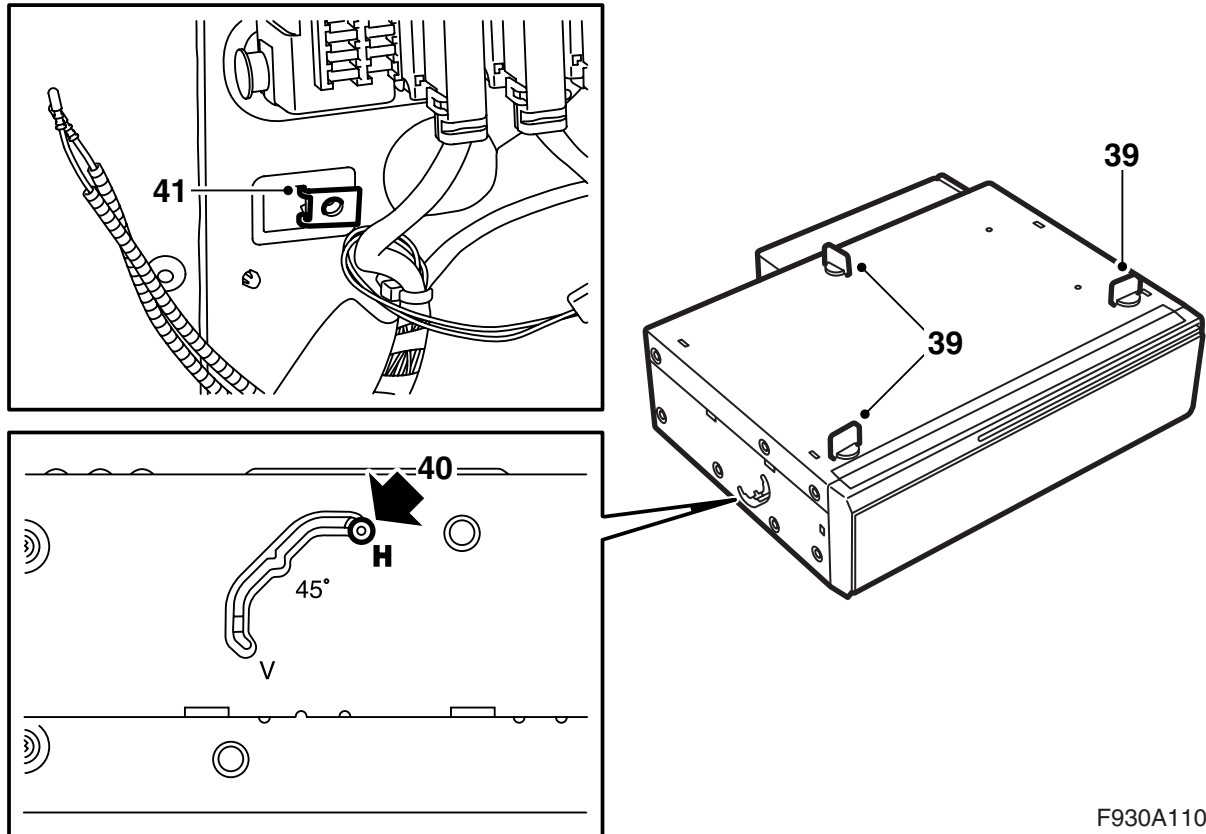
- 37 Plug the fibre-optic cable connection with green markings into position 1 in the small control unit connector and plug the unmarked fibre-optic cable connection into position 2 in the small connector.

**Important**

For cars without a fibre-optic cable with green markings: plug the fibre-optic cable previously marked with tape into position 2 and plug the other, unmarked connector into position 1.

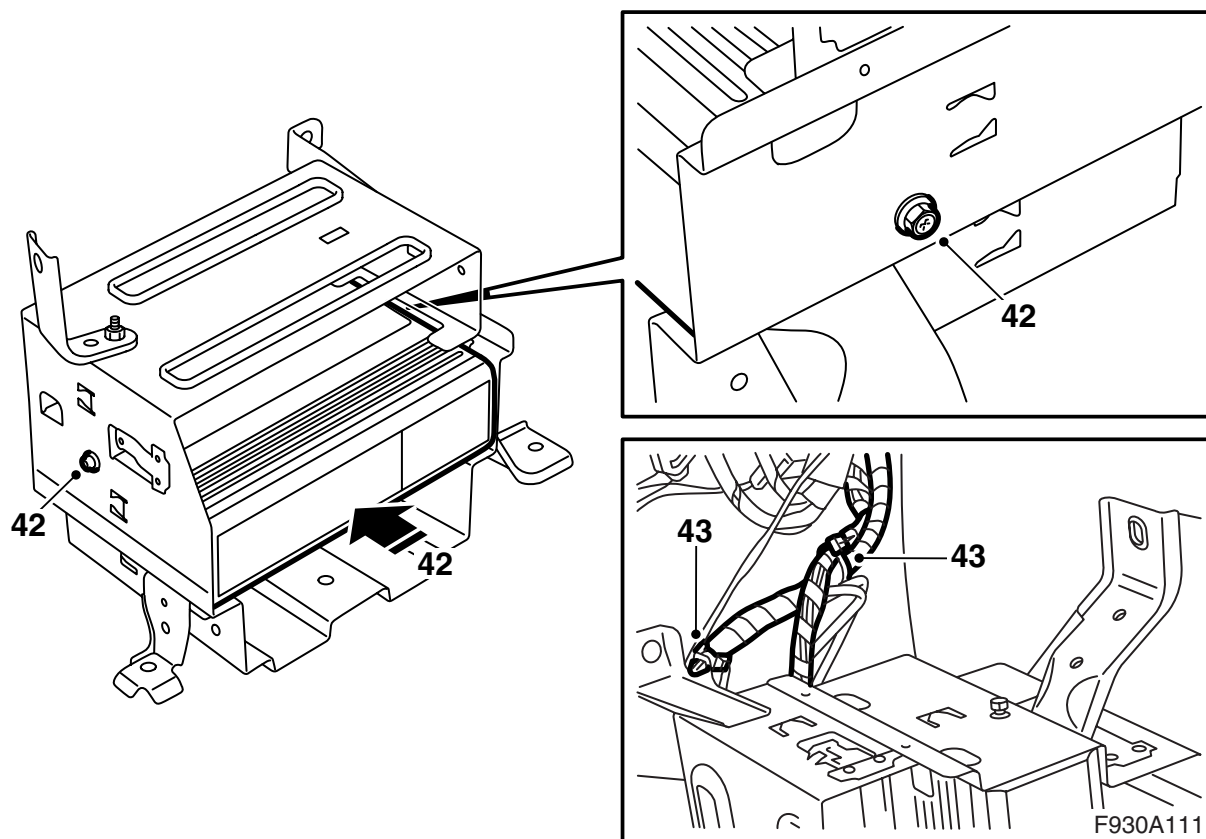
Fit the locking clip.

- 38 Fit the small connector to the large connector.



- 39 Remove the three red transport fuses from the CD changer.
- 40 Check the CD changer fitting position setting; both sides of the CD changer should be set to position H.
- 41 Fit the bracket clip nut in the square hole near the REC and place the bracket in the luggage compartment.

F930A110

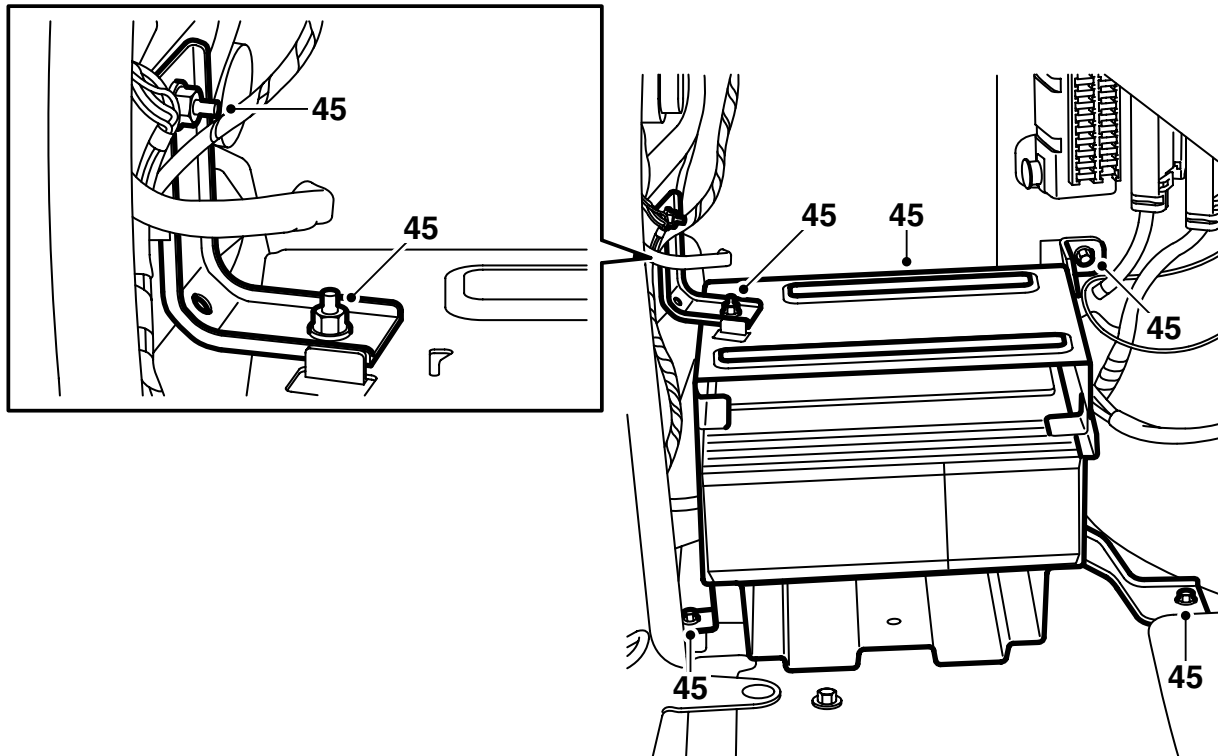


42 Fit the CD changer to the bracket.

**Tightening torque 2 Nm (1.5 lbf ft)**

43 Attach the wiring harness to the CD changer and fit the cable tie clip in the bracket hole.

44 Secure the CD changer wiring harness together with the unused connector in an appropriate location using the cable tie.



F930A112

- 45 Fit the bracket. Tighten the nut on the top side of the bracket.

### Important

Handle the fibre-optic cables with care or the signal may be distorted.

- It is very important that the two leads in the connector are not confused with one another.
- Do not bend the cable in a radius smaller than 25 mm.
- Keep the cable ends free from dirt and grime.
- The cable should not lie against any sharp edges as this may cause increased signal reduction.

- 46 Fit the side trim pieces.
- 47 Fit the new panel in the luggage compartment left-hand side trim and raise the panel on the right-hand side.
- 48 Lower the loading floor.
- 49 Connect the negative battery cable.
- 50 Adjust the time and date.
- 51 Synchronise remote control code by inserting the key into the ignition.

### Important

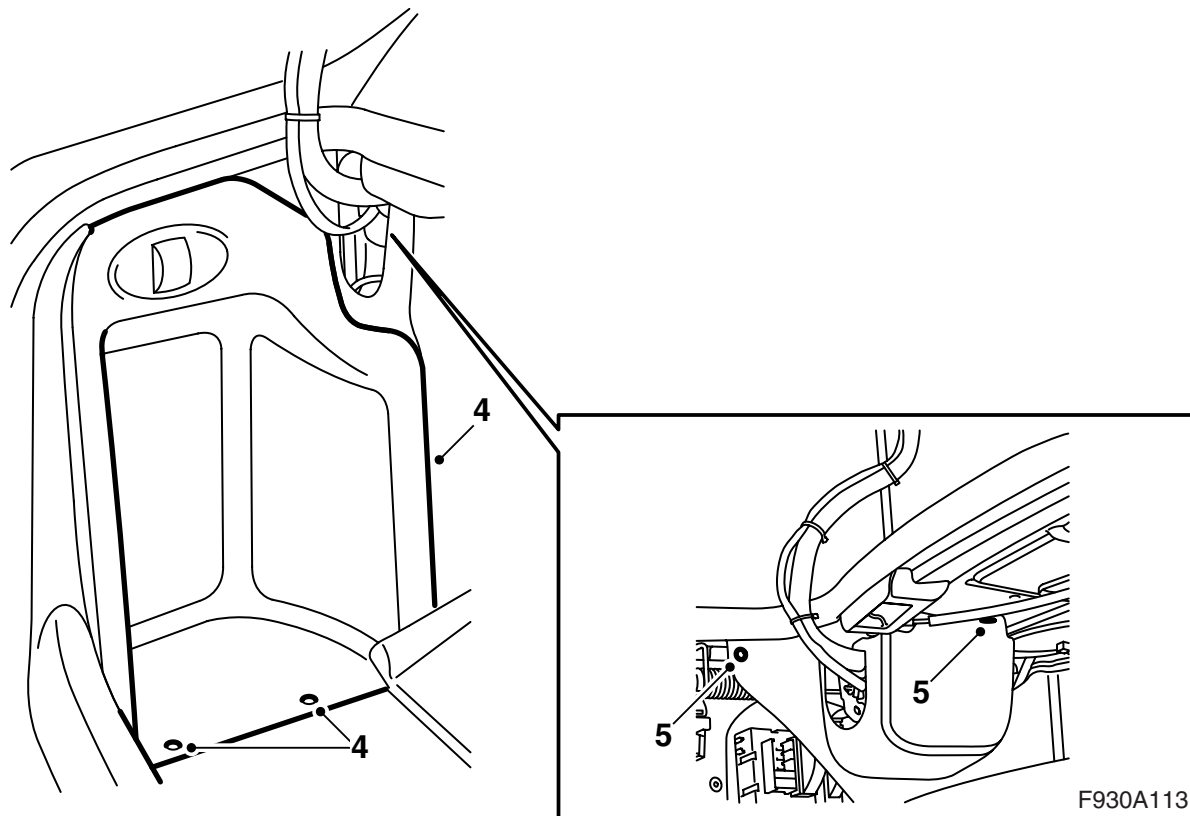
Repeat this procedure with all keys. Otherwise, the remote controls will not function.

- 52 Activate window lift pinch protection function by operating the side windows up and down twice. An audible confirmation will sound when activation is complete.
- 53 Connect the diagnostic tool, select car and model year, select "All", select "Add/Remove", select the accessory and then "Add".

### Note

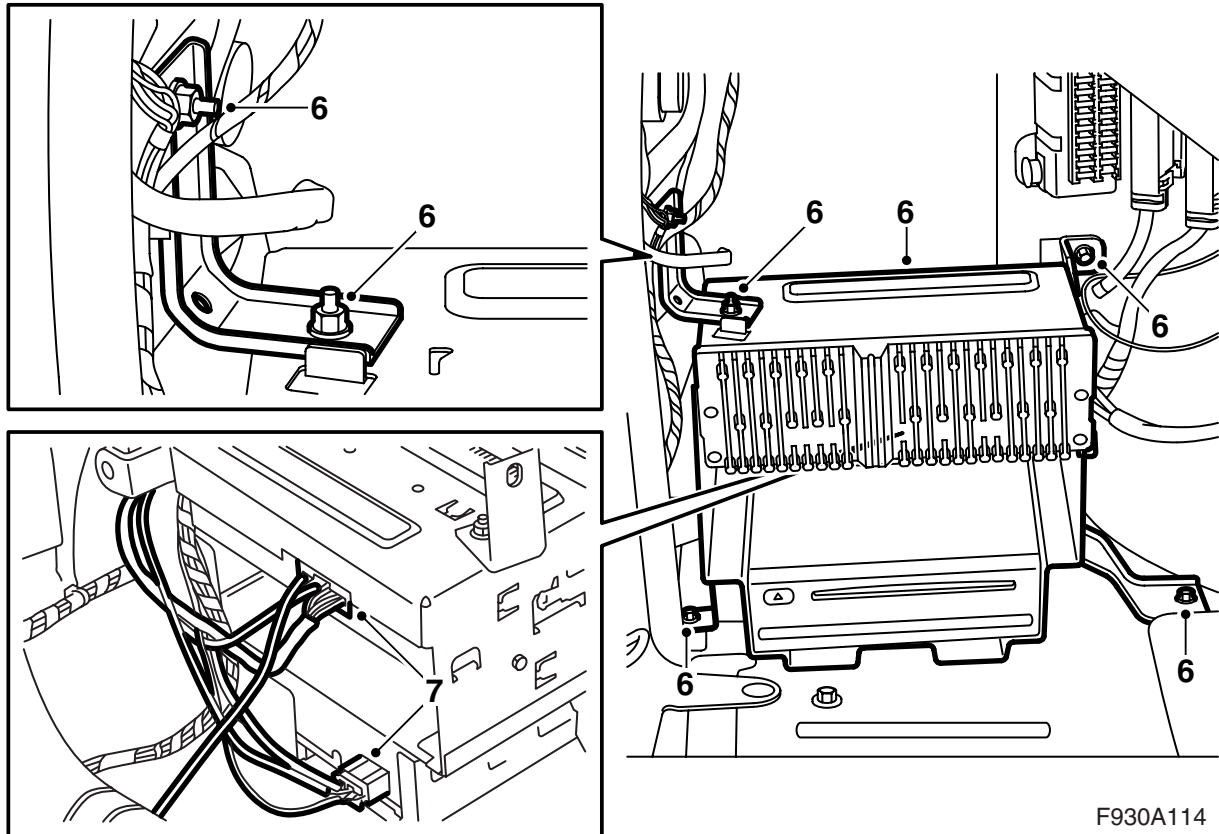
The diagnostic tool will on some occasions need to retrieve a security code in TIS. Information on what to do will be displayed on the diagnostic tool display.

- 54 Check system function.



### Cars with a bracket containing an amplifier and/or a DVD player near the REC

- 1 Remove the battery's minus cable and take the key from the ignition.
- 2 Open the hatchback.
- 3 Raise the loading floor.
- 4 Remove the panel in the left-hand luggage compartment side trim.
- 5 Remove the clip for the left-hand side trim and move the trim aside.

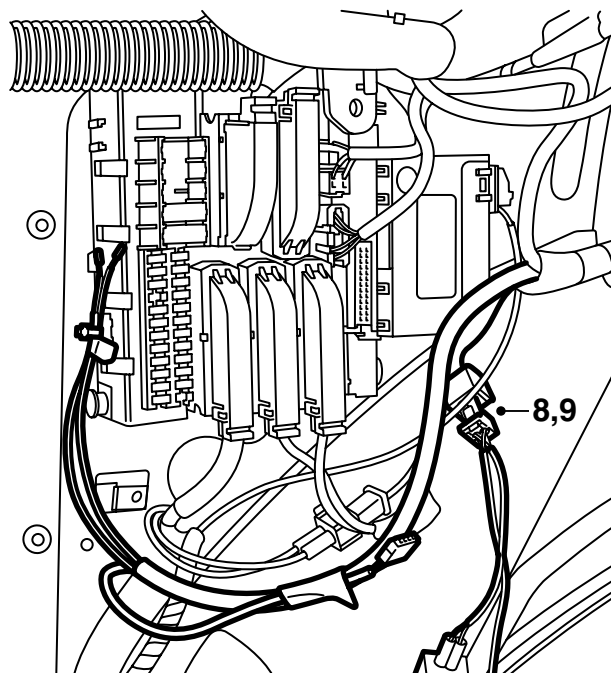
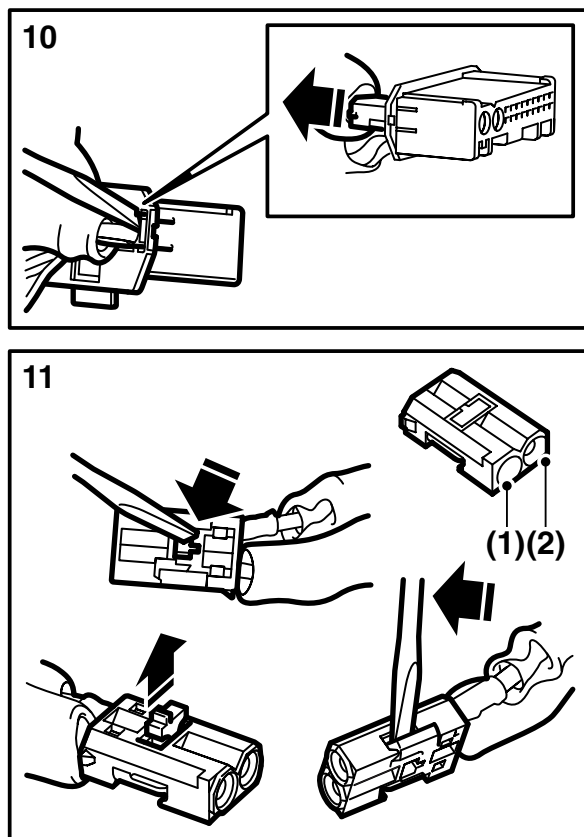


F930A114

6 Remove the bracket near the REC and move it aside for better access.

7 **Amplifier fitted to the bracket near the REC:**  
Unplug the amplifier connector.

**DVD player only fitted to the bracket near the REC:** Unplug the DVD player connector.



F930A115

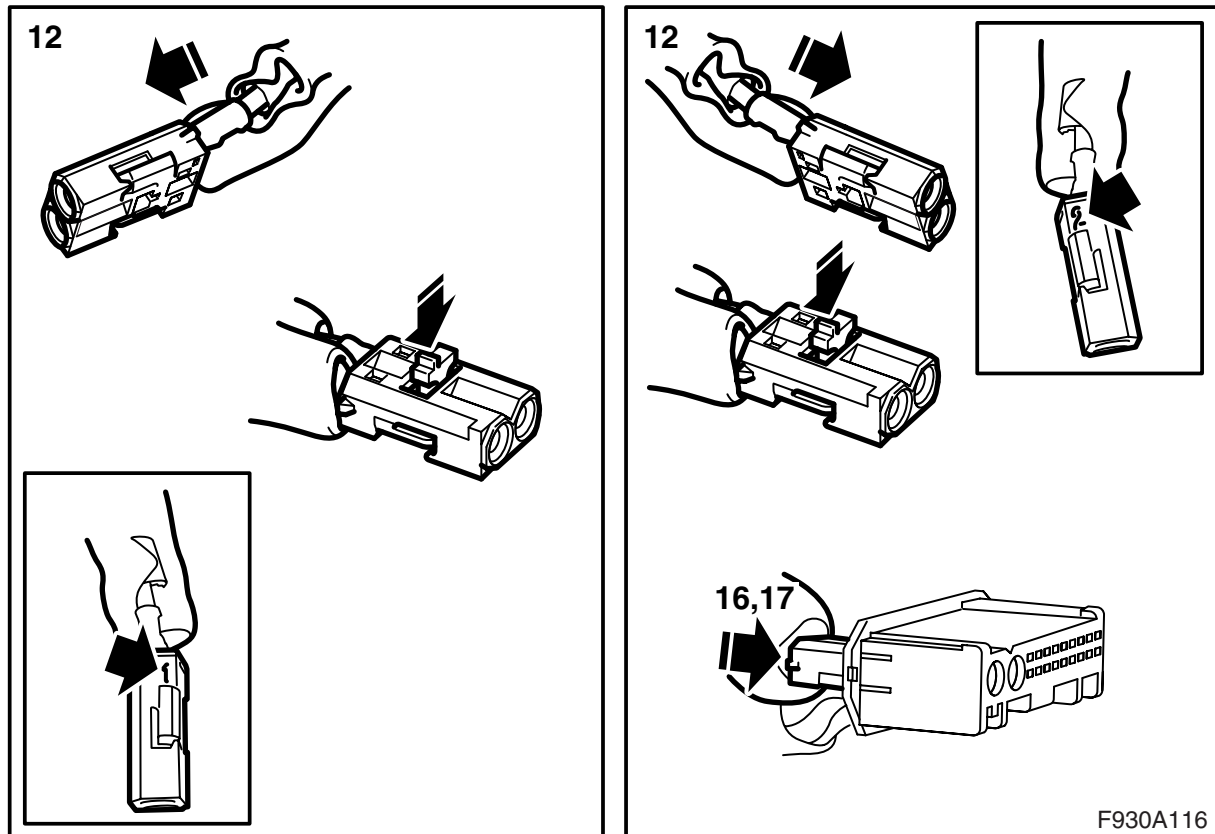
- 8 Locate the connector for the CD changer near the REC.
- 9 Attach the accessory kit wiring harness to the connector.
- 10 Unplug the fibre-optic cable connector (the small connector) from both the amplifier and DVD player connectors.

**⚠ WARNING**

The visible red light is a class 1 laser. Do not look directly into the optical fibre or the control module connector at close range. A distance of less than 20 mm between your eyes and the light source may cause eye injury.

- 11 **Amplifier connector:** Unplug the fibre-optic cable connected to position 1 by opening the connector locking clip and carefully lifting the catch.
- DVD player connector:** Unplug the fibre-optic cable connected to position 2 by opening the connector locking clip and carefully lifting the catch.





12 **Amplifier connector:** Plug the fibre-optic cable connection into position 1 in the accessory kit connector.

**DVD player connector:** Plug the fibre-optic cable connection into position 2 in the accessory kit connector.

13 Remove the protective covers from the accessory kit fibre-optic cable connections.

14 **Amplifier connector:** Plug one of the accessory kit fibre-optic cable connections into position 2 in the accessory kit connector. Fit the locking clip.

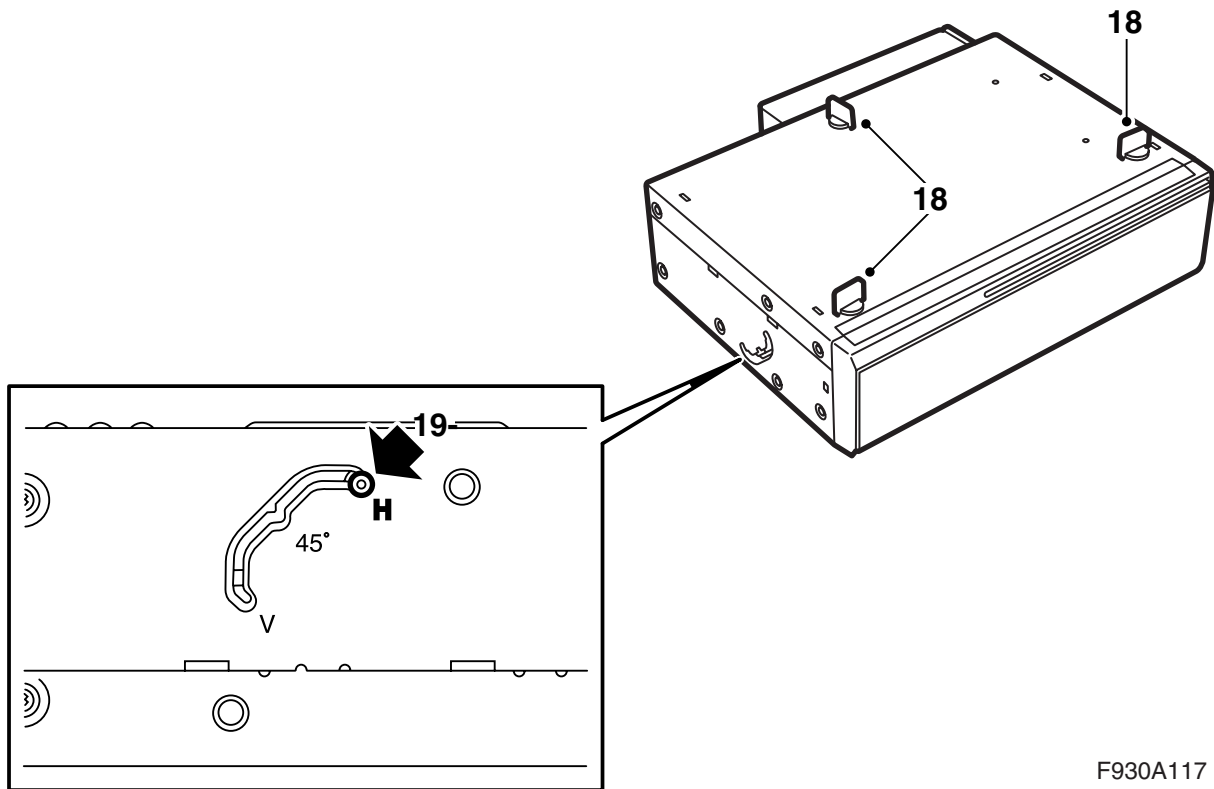
**DVD player connector:** Plug one of the accessory kit fibre-optic cable connections into position 1 in the accessory kit connector. Fit the locking clip.

15 **Amplifier connector:** Plug the other accessory kit fibre-optic cable connection into position 1 in the amplifier connector. Fit the locking clip.

**DVD player connector:** Plug the other accessory kit fibre-optic cable connection into position 2 in the DVD player connector. Fit the locking clip.

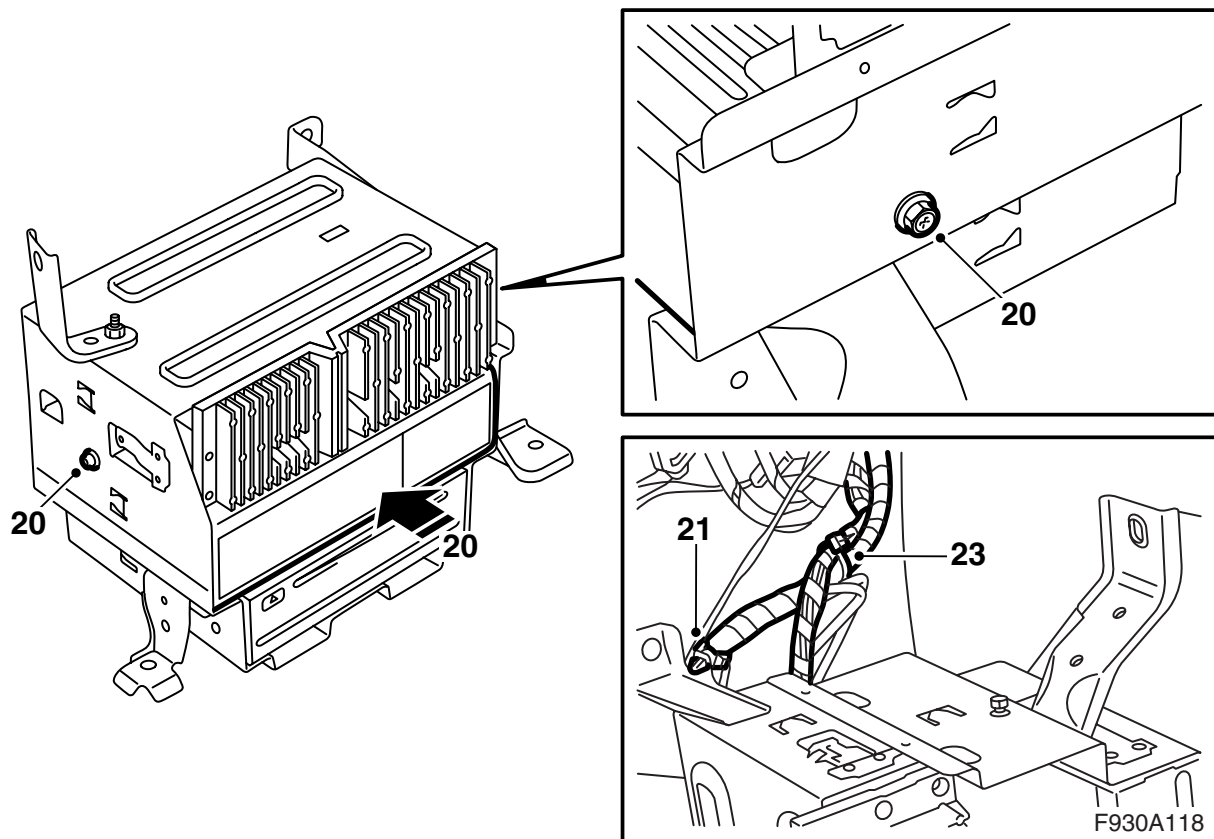
16 Plug the small connector into the large amplifier/DVD player connector.

17 Plug the small connector into the large CD changer connector.

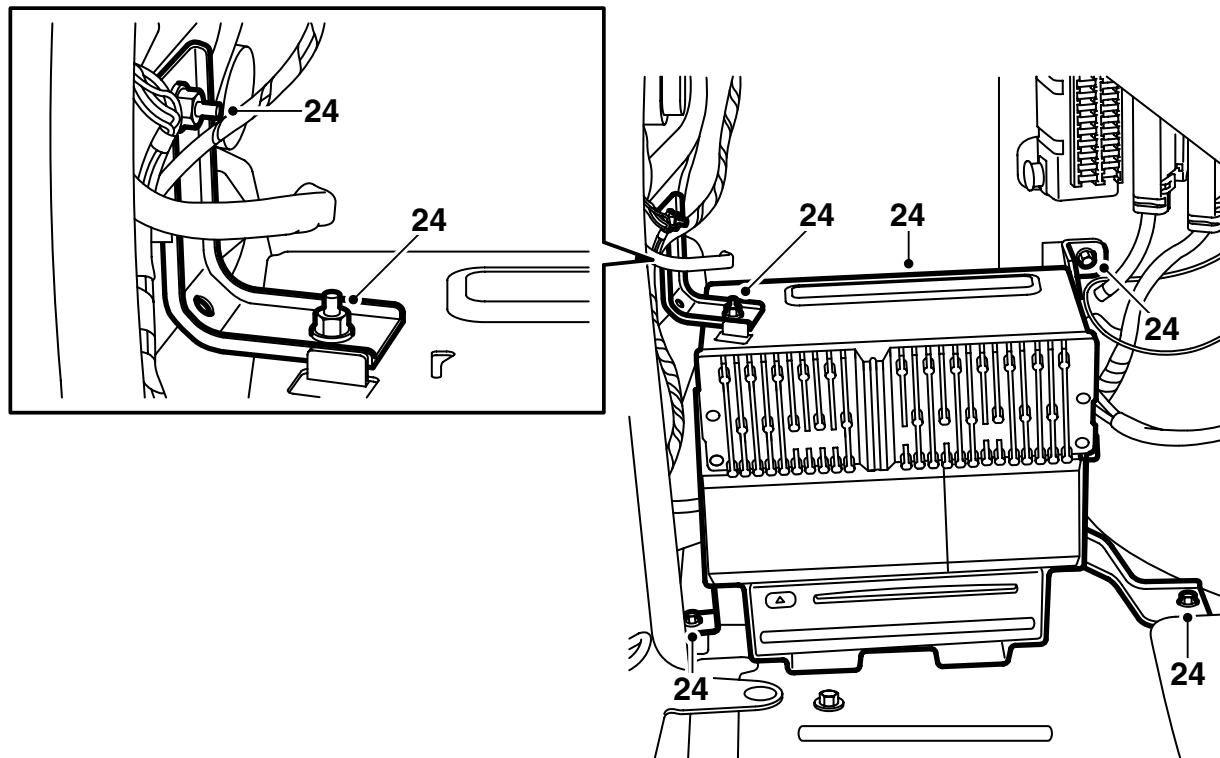


F930A117

- 18 Remove the three red transport fuses from the CD changer.
- 19 Check the CD changer fitting position setting; both sides of the CD changer should be set to position H.



- 20 Fit the CD changer to the bracket.  
**Tightening torque 2 Nm (1.5 lbf ft)**
- 21 Attach the wiring harness to the CD changer and fit the cable tie clip in the bracket hole.
- 22 **Amplifier fitted to the bracket near the REC:**  
 Plug in the amplifier connector.
- DVD player only fitted to the bracket near the REC:**  
 Plug in the DVD player connector.
- 23 Secure the CD changer wiring harness together with the unused connector in an appropriate location using the cable tie.



F930A119

24 Fit the bracket. Tighten the nut on the top side of the bracket.

### Important

Handle the fibre-optic cables with care or the signal may be distorted.

- It is very important that the two leads in the connector are not confused with one another.
- Do not bend the cable in a radius smaller than 25 mm.
- Keep the cable ends free from dirt and grime.
- The cable should not lie against any sharp edges as this may cause increased signal reduction.

25 Fit the side trim pieces.

26 Lower the loading floor.

27 Connect the negative battery cable.

28 Adjust the time and date.

29 Synchronise remote control code by inserting the key into the ignition.

### Important

Repeat this procedure with all keys. Otherwise, the remote controls will not function.

30 Activate window lift pinch protection function by operating the side windows up and down twice. An audible confirmation will sound when activation is complete.

31 Connect the diagnostic tool, select car and model year, select "All", select "Add/Remove", select the accessory and then "Add".

### Note

The diagnostic tool will on some occasions need to retrieve a security code in TIS. Information on what to do will be displayed on the diagnostic tool display.

32 Check system function.