

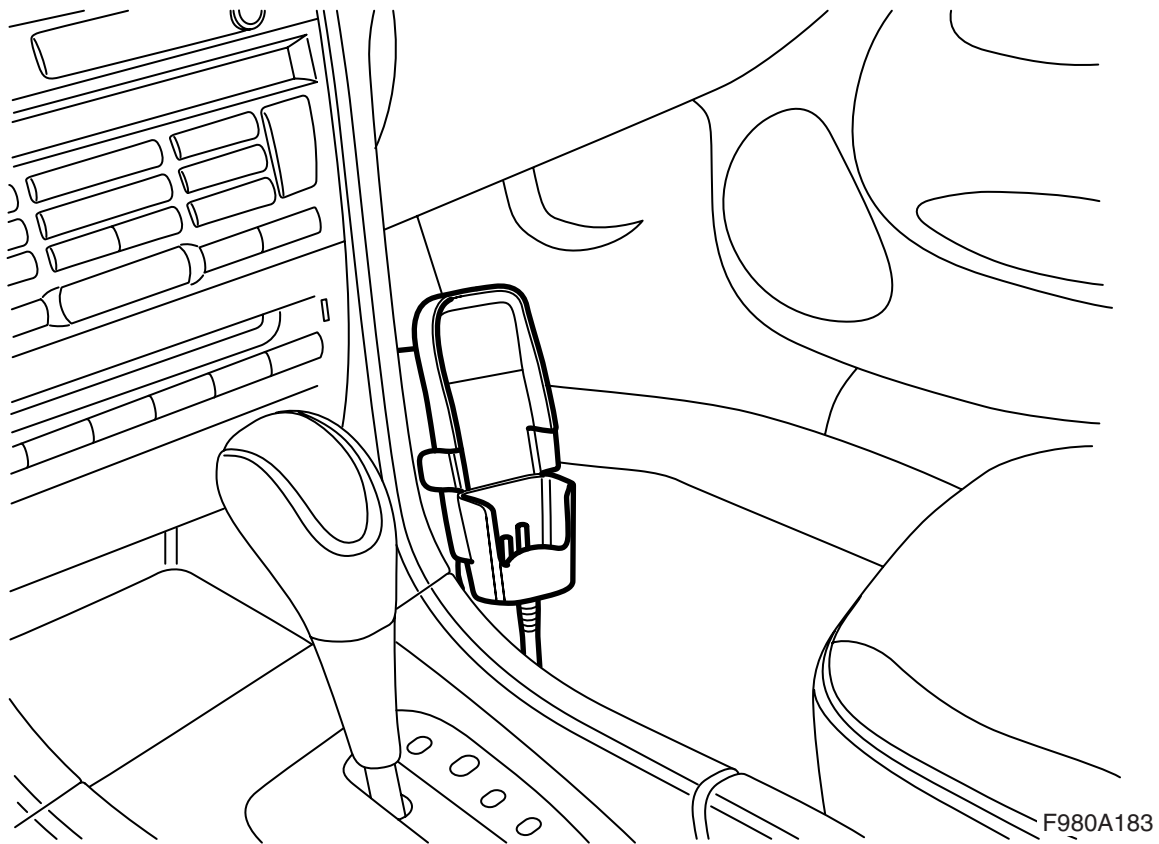


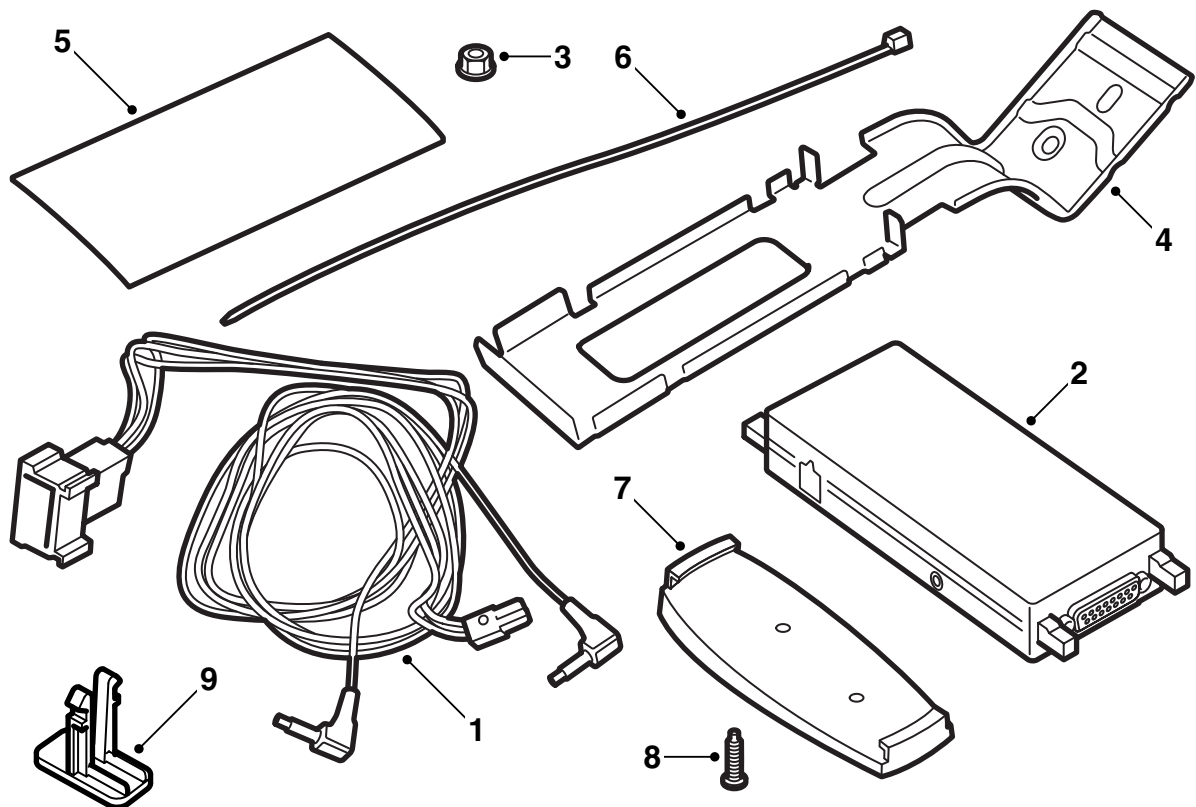
**MONTERINGSANVISNING · INSTALLATION INSTRUCTIONS
MONTAGEANLEITUNG · INSTRUCTIONS DE MONTAGE**

Saab 9-3 M03-

Hands free kit, mobile phone

Accessories Part No.	Group	Date	Instruction Part No.	Replaces
12 787 155	9:39-09	Apr 03	12 788 465	12 788 465 Jan 03





F980A184

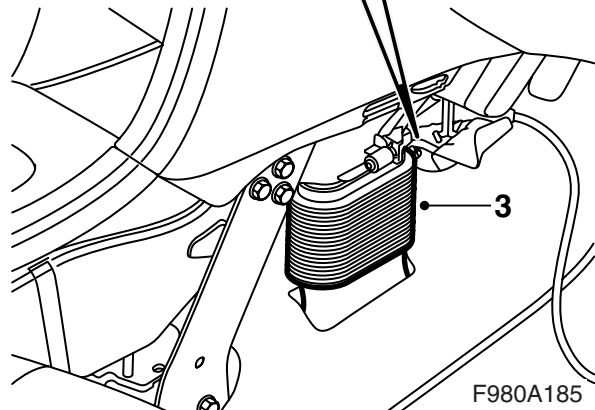
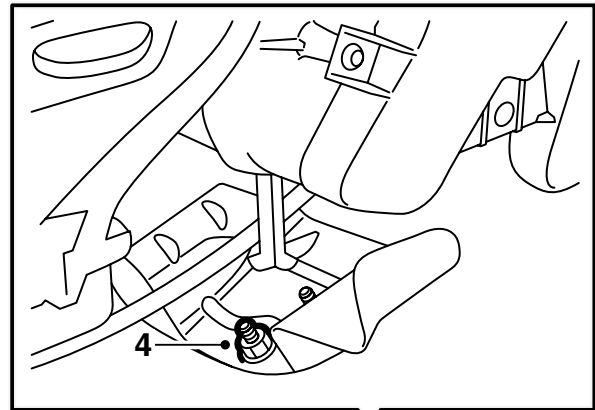
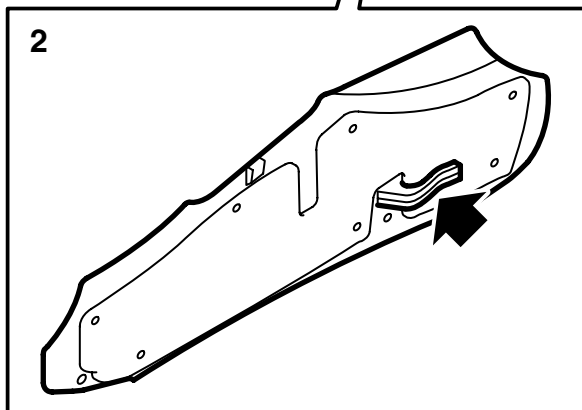
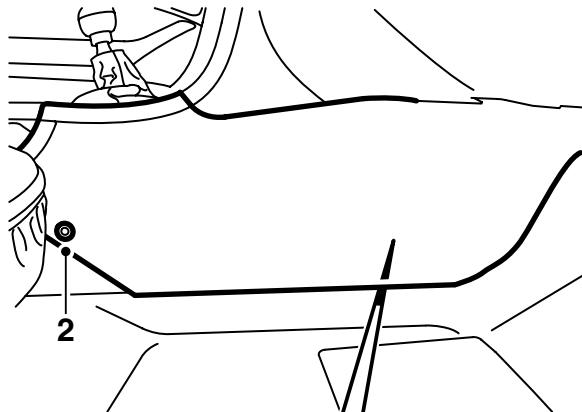
- 1 Wiring harness
- 2 Electronic unit
- 3 Nut
- 4 Bracket
- 5 Tape (x2)
- 6 Cable tie (x3)
- 7 Bracket, telephone holder
- 8 Bolt (x2)
- 9 Lock

Important

The kit can contain four screws which are not used.

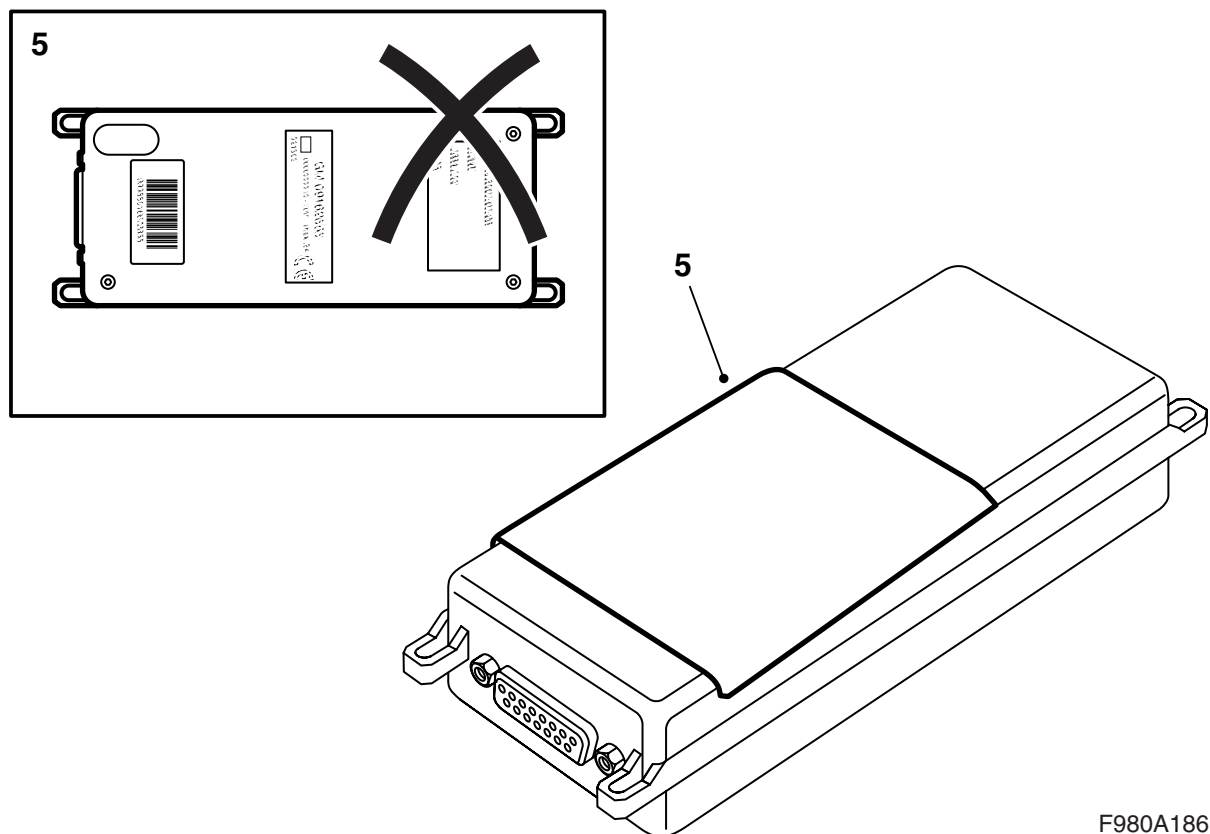
In addition, the following items are required (ordered separately)

- Connection kit for the telephone in question
- Telephone bracket
- Antenna cable (certain models)
- Microphone (certain cars)



F980A185

- 1 Remove the battery negative cable and take the key from the ignition.
- 2 **LHD:** Remove the centre console right-hand side panel.
RHD: Remove the centre console left-hand side panel.
- 3 **LHD:** Remove the right-hand air duct bellows.
RHD: Remove the left-hand air duct bellows.
- 4 Remove the M6 nut from the metal bracket securing the centre console side panels.

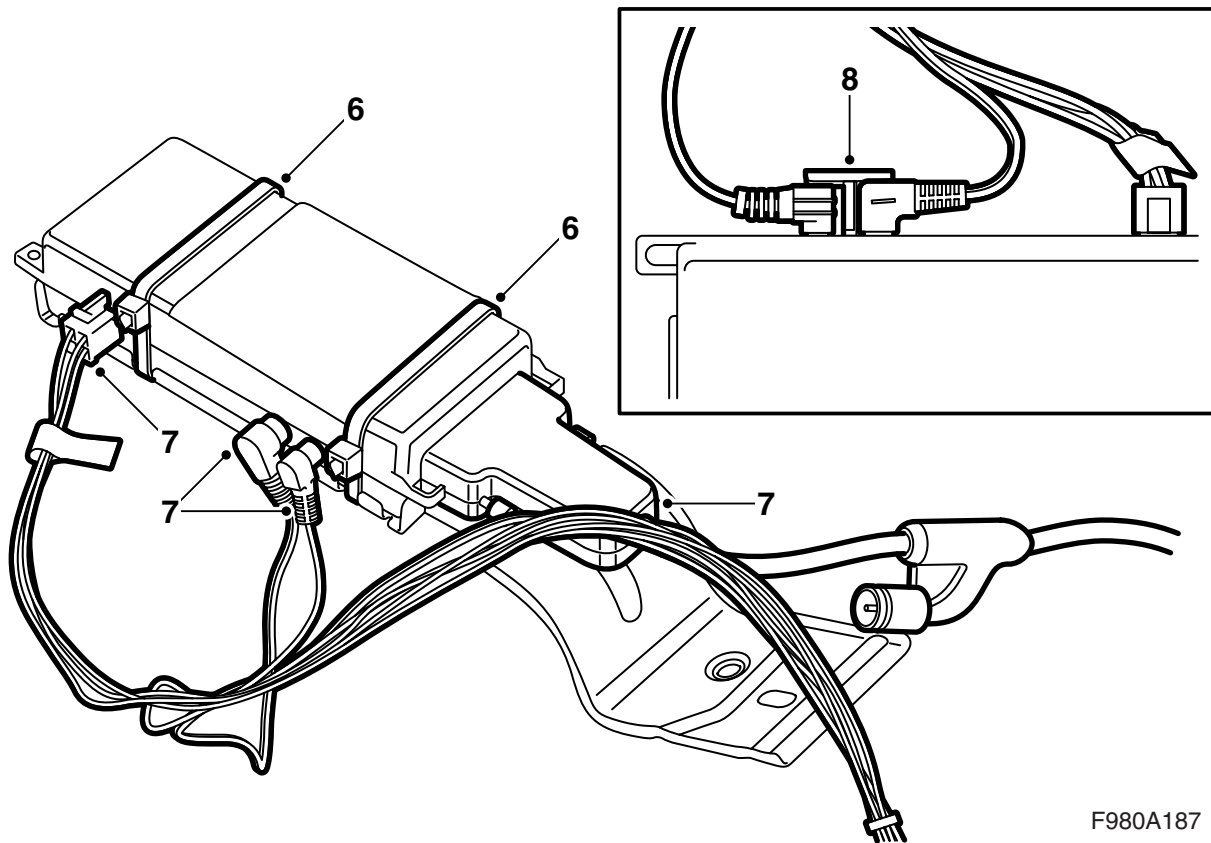


F980A186

5 Cut one protective tape in the centre and fit one of the parts on top of the electronic unit.

Important

The protective tape must be placed on the top of the electronic unit when the heads of the screws are pointed downwards.

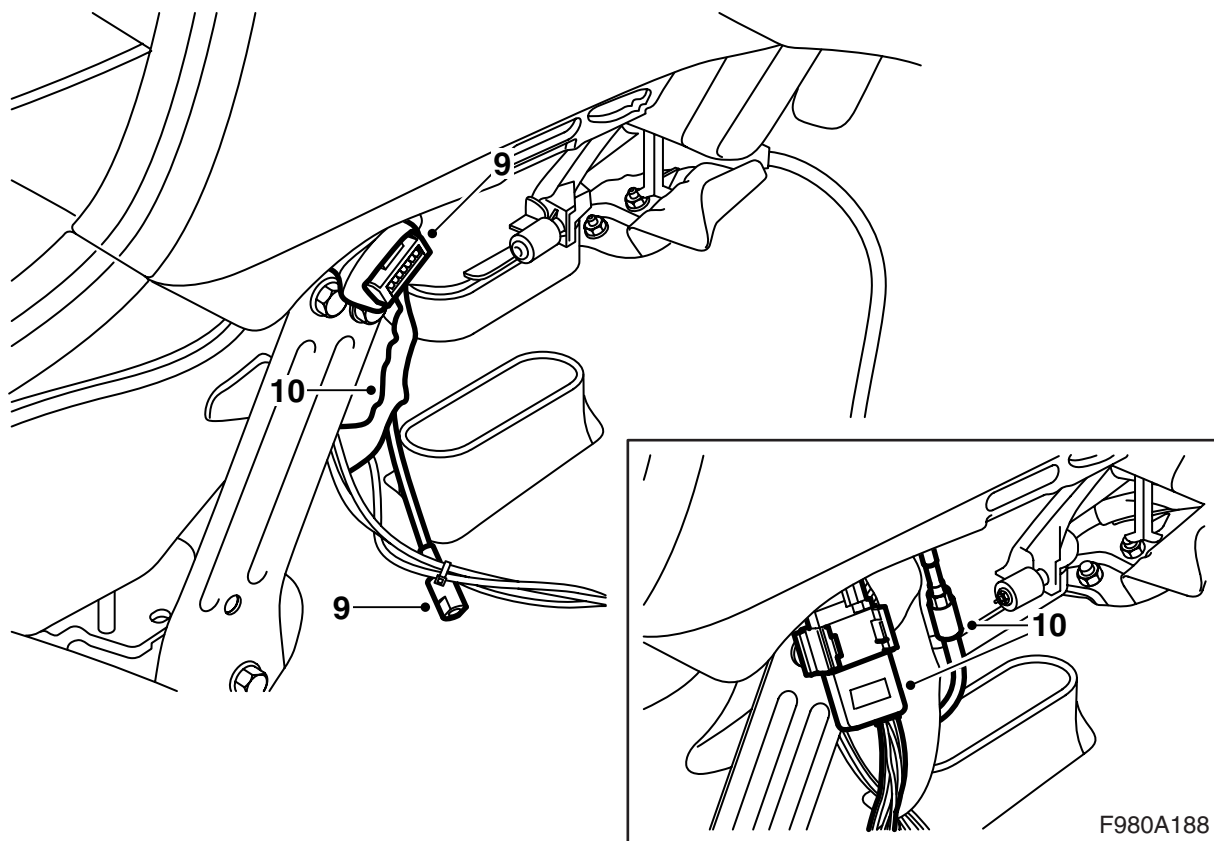


F980A187

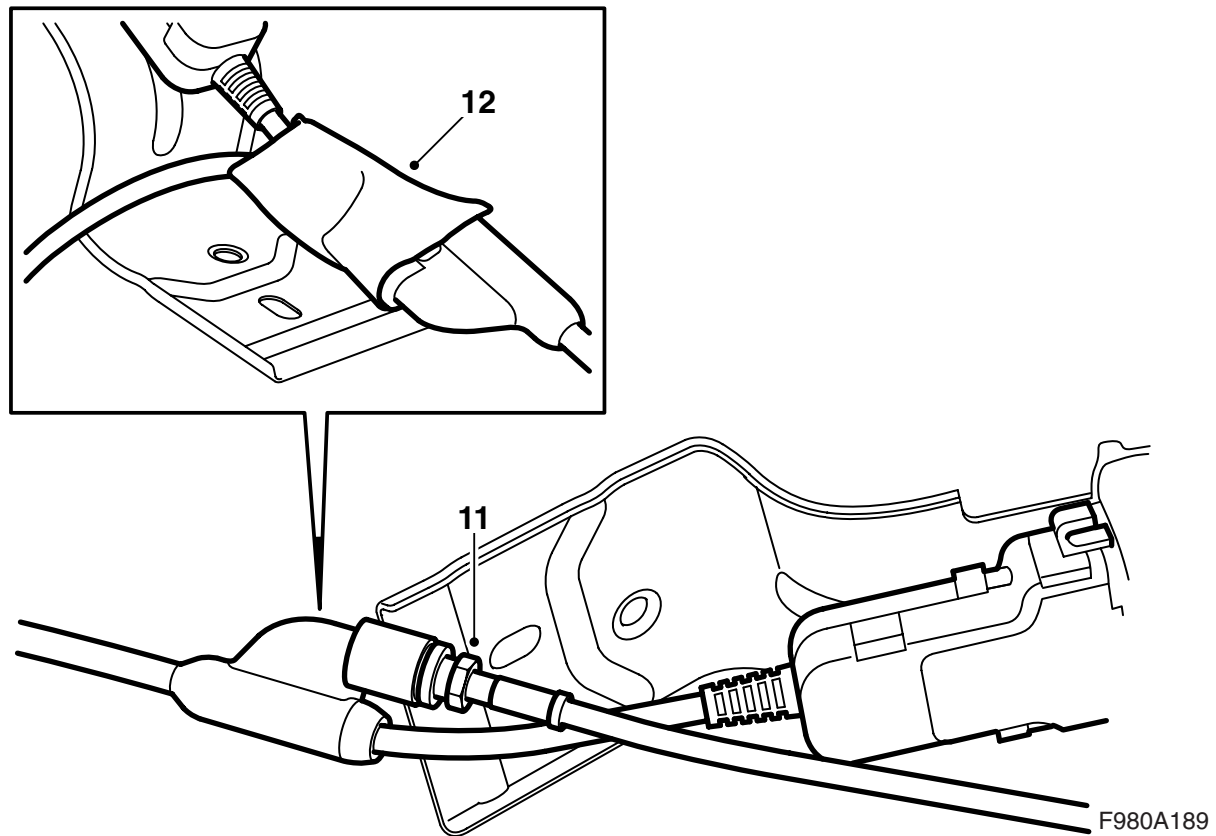
- 6 Press the electronic unit into place on the bracket so that the screw heads are facing the bracket. Fit 2 cable ties around the electronic unit and bracket. The large connection must point forwards.
- 7 Connect all contacts to the electronic unit.
- 8 Fit the lock between the angular contacts.

Note

The lock is shaped with the size of the angular contacts in mind.



- 9 Locate the installed telephone connection (connector and antenna cable) in front of the instrument panel casing by the right-hand (LHD) or left-hand (RHD) support.
- 10 Remove the anti-rattling tape from the connector and connect the kit's cable to the car's installed telephone connection.

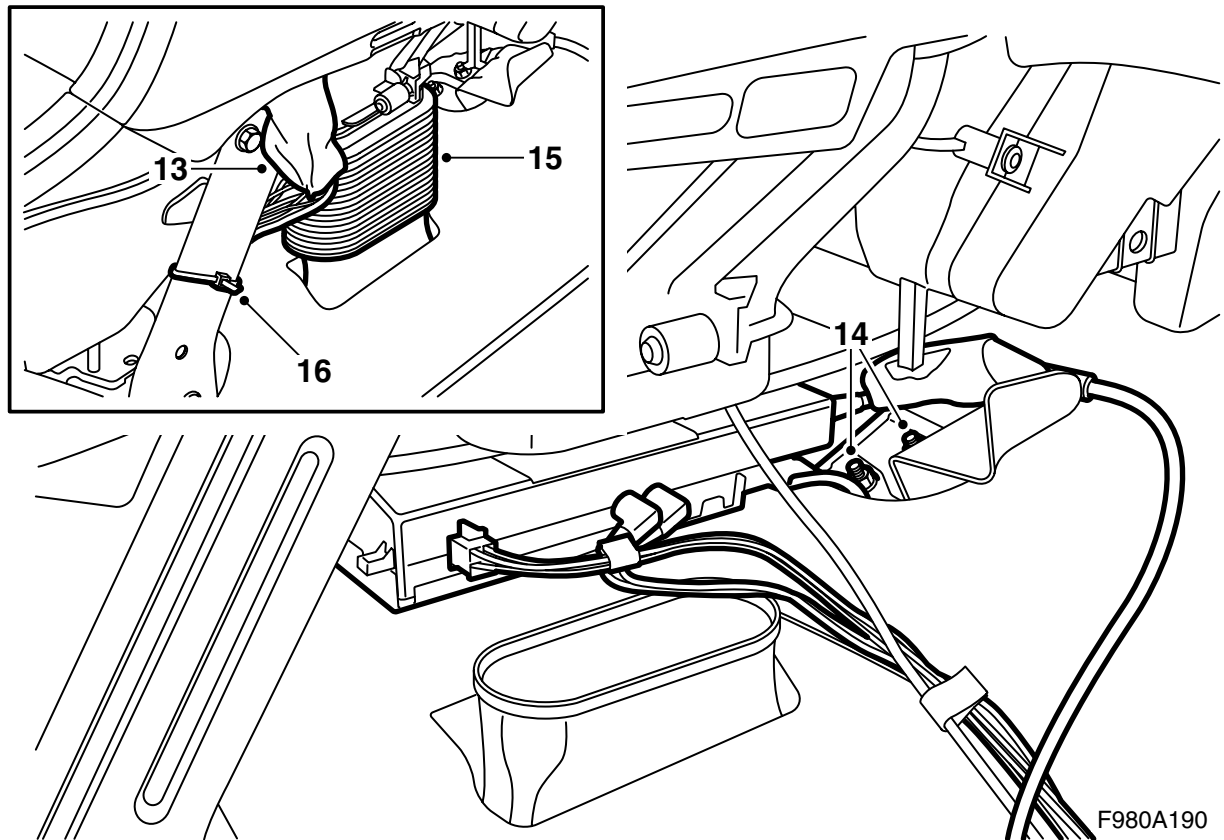


- 11 Run the antenna cable behind the dashboard support and connect it to the telephone holder cable antenna connection. Tighten the nut.

Important

Certain models require a cable extension between the antenna cable and the telephone holder cable connection. Connect the antenna cable and tighten both nuts.

- 12 Wrap the other half of the split protective tape around the antenna connection on the telephone holder cable.

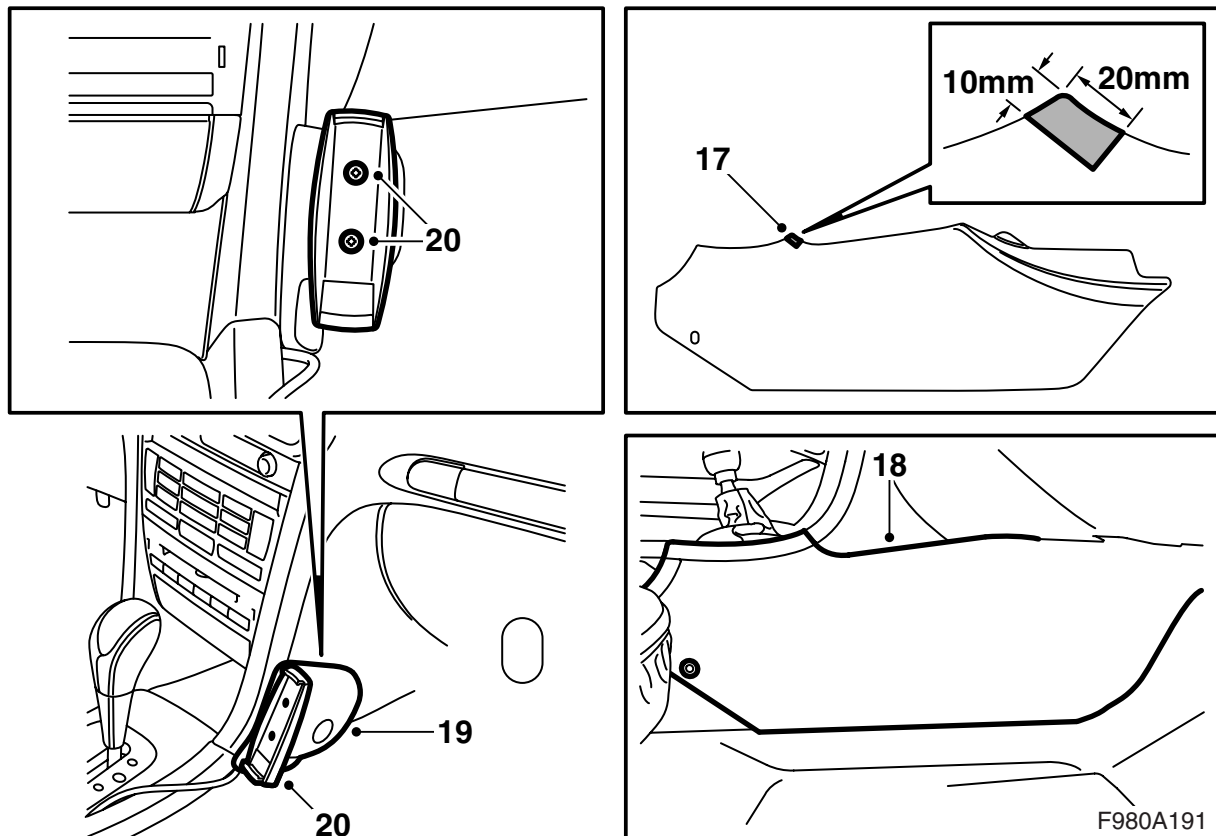


- 13 Tape the other protective tape around the connector which was connected to the telephone installation.
- 14 Fit the electronic unit and its bracket to the bracket for the centre console side panels using two M6 nuts (the previously-fitted nut and the nut from the kit).
- 15 Fit the air bellows.

Important

The telephone holder cable must be positioned outside the bellows.

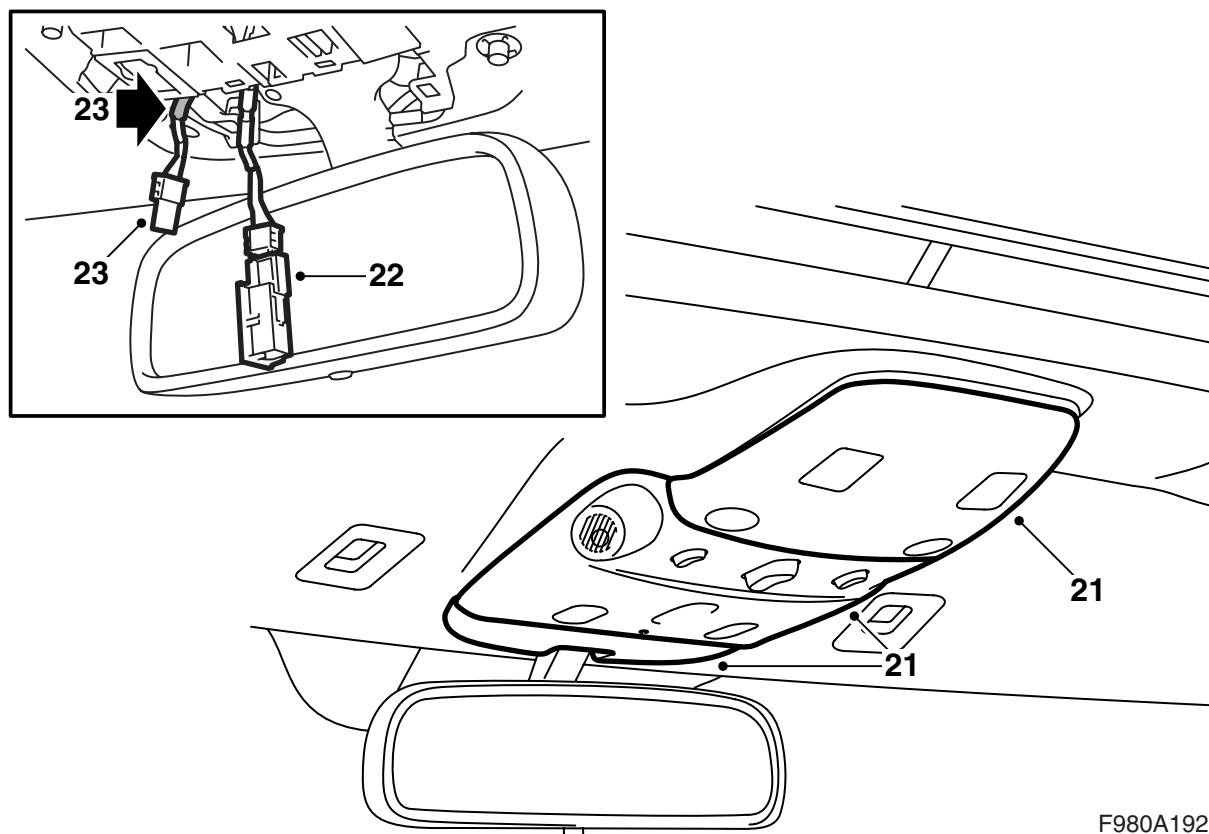
- 16 Secure the cable behind the dashboard support using a cable tie.



- 17 Make a recess (20 mm x 10 mm) for the telephone cable in the dismantled side panel.
- 18 Fit the side panel at the same time as the telephone holder cable is located into the recess in the side panel.
- 19 Fit the telephone bracket (separate accessory which is fitted as per telephone bracket fitting instructions).
- 20 Fit the telephone holder bracket onto the telephone bracket, drill holes into the telephone bracket (3 mm) using the holder bracket as a template and fit it.

4D: Continue with step 21.

CV: Continue with step 28.



- 21 Remove the rear, centre and front sections of the roof lighting cover. Tool 82 93 474 is recommended.

Important

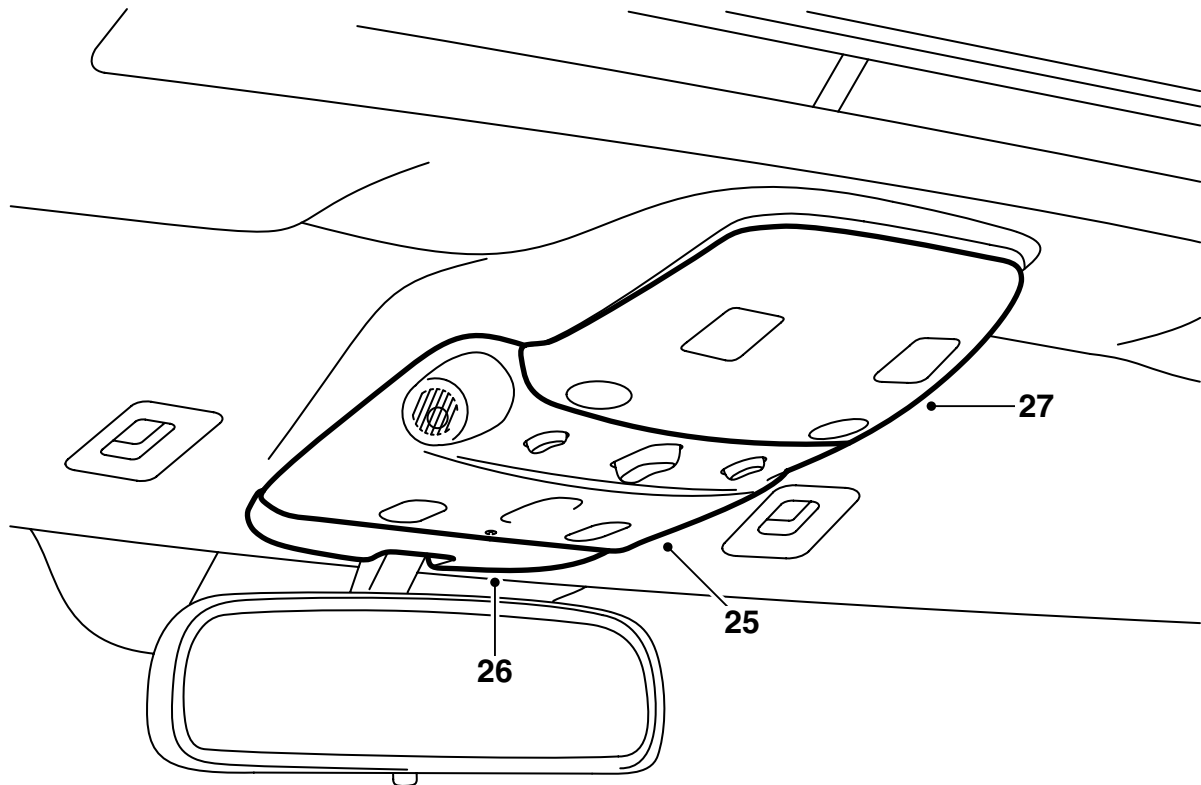
The centre section is fitted with two screws.

- 22 Disconnect the connection cable from the microphone in the roof console.
- 23 Locate the new telephone connection, it is marked with yellow tape, and connect it to the microphone.
- 24 Place the previously connected cable onto the location where the cable currently connected was located.

Cars equipped with navigation system: The previously connected cable must be connected to a new microphone which is placed to the right (LHD) or the left (RHD) in the roof console.

Important

Do not touch the black felt on the microphone.



F980A193

- 25 Remove the tape from the opening in the cover where the microphone is located and fit the centre section of the roof lighting cover.
- 26 Fit the front section of the roof lighting cover.
- 27 Fit the rear section of the roof lighting cover.
- 28 Connect the battery negative cable.
- 29 Check that the telephone works.
- 30 Set the time and date.
- 31 Synchronise the remote control code by inserting the key into the ignition.

Important

Repeat this procedure with all keys. Otherwise, the remote controls will not function.

-
- 32 Activate window lift pinch protection function by operating the side windows up and down twice. An audible confirmation will sound when activation is complete.