

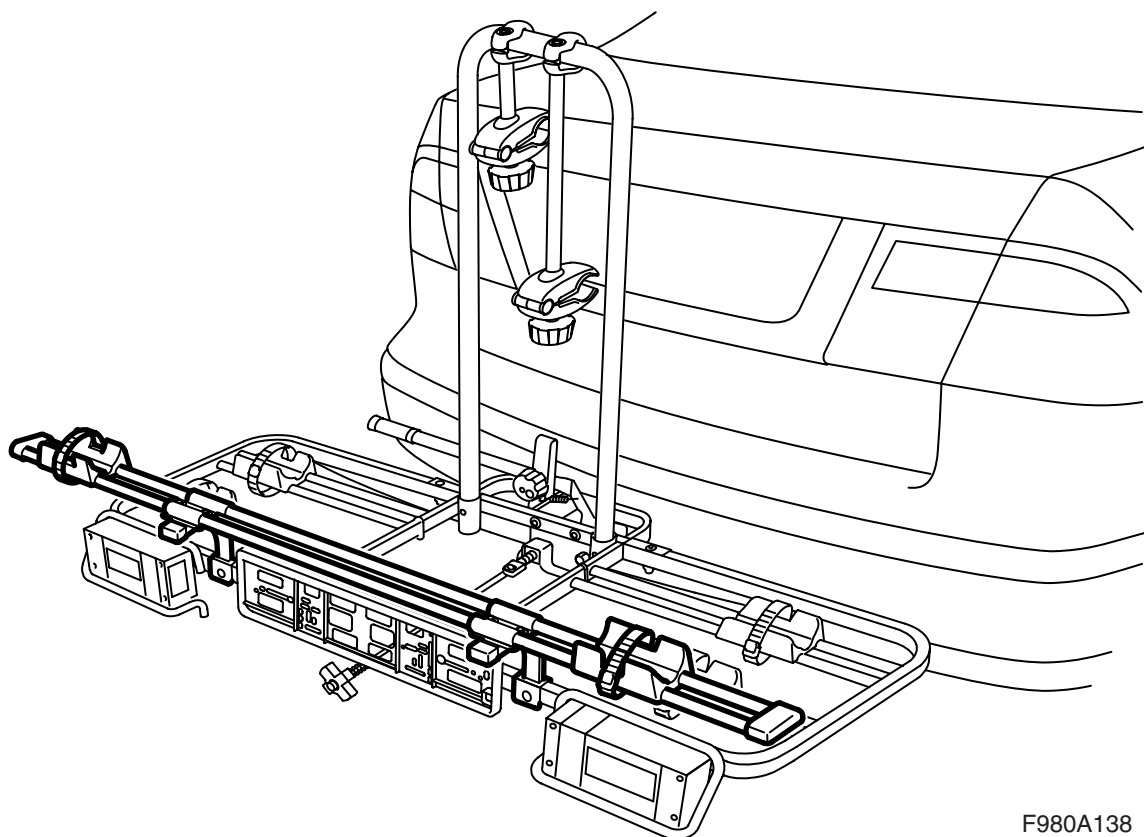


**MONTERINGSANVISNING · INSTALLATION INSTRUCTIONS
MONTAGEANLEITUNG · INSTRUCTIONS DE MONTAGE**

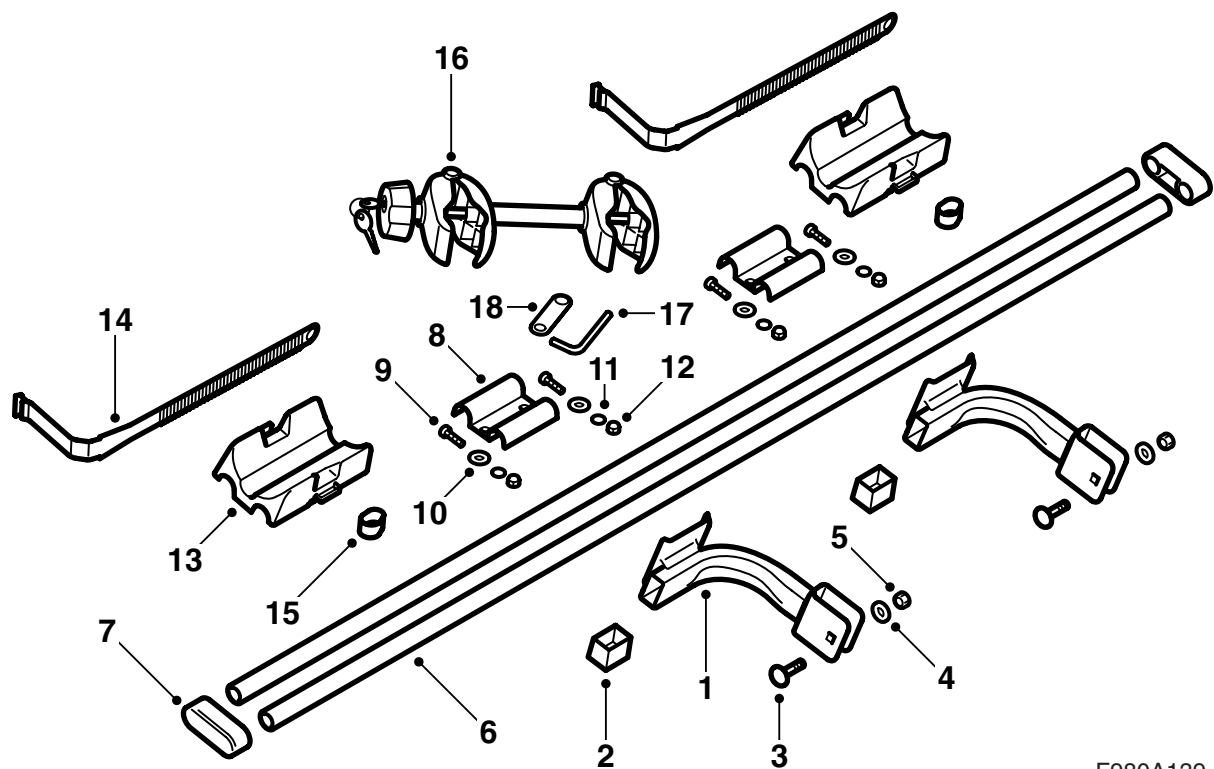
Saab 9-3, Saab 9-5

Adapter for a third bicycle

Accessories Part No.	Group	Date	Instruction Part No.	Replaces
12 794 869 400 132 346	9:89-15	May 02	12 794 868 (55 20 804)	

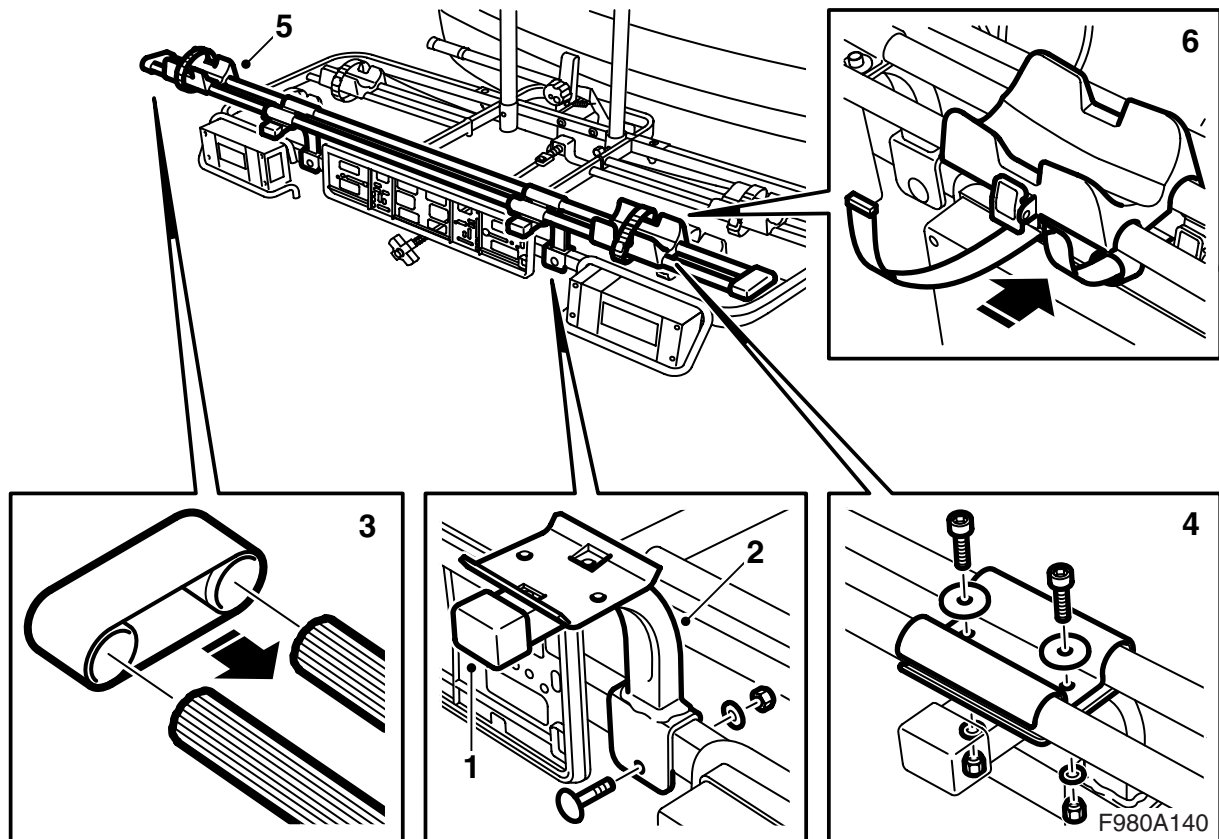


F980A138



F980A139

- 1 Bracket (x2)
- 2 End plug (x2)
- 3 Screw M8 with square bracket (x2)
- 4 Washer, thick (x2)
- 5 Nut M8 (x2)
- 6 Tube (x2)
- 7 End piece (x2)
- 8 U-clamp (x2)
- 9 Allen head screw M6 (x4)
- 10 Washer, large (x4)
- 11 Washer, small (x4)
- 12 Nut M6 (x4)
- 13 Wheel holder (x2)
- 14 Strap (x2)
- 15 Rubber ring (x2)
- 16 Frame holder
- 17 Allen key
- 18 Wrench



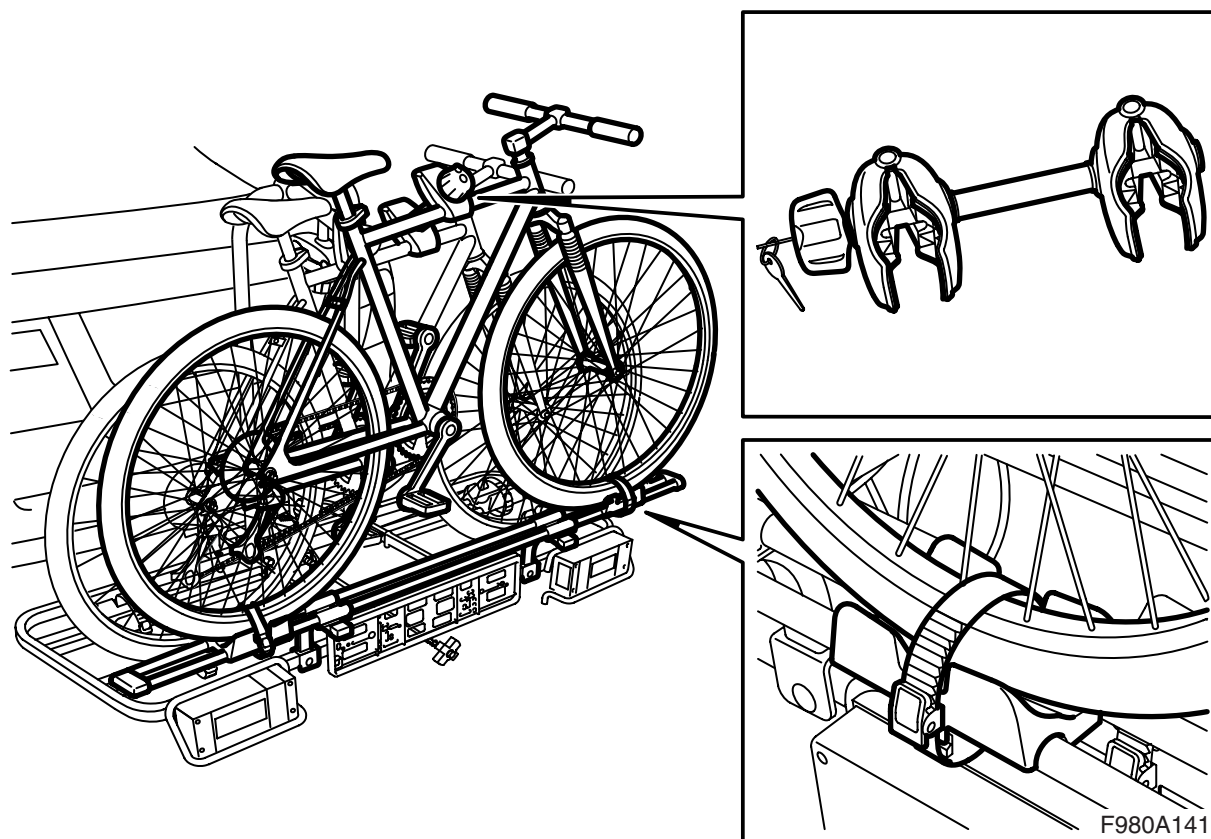
Fitting the adapter

- 1 Fit the end plugs to the brackets.
- 2 Fit the brackets to the bicycle holder frame.

WARNING

Move away the wiring harness so that it does not get trapped. Faulty fitting can cause damage to the wiring harness and short circuit/fire.

- 3 Fit the tubes together using the end pieces.
- 4 Fit the joined tubes onto the brackets.
- 5 Position the wheel holders on the tubes.
- 6 Thread the straps through the buckle in each wheel holder, thread a rubber ring onto each strap and thread the straps through the opening on the other side on the wheel holders. Tighten the strap until it clicks tight.



Mounting the bike

- 1 Position the bike on the wheel holders and fit one of the frame holder clamps (without knob) onto the frame of the bike which is located farthest back. Fit the other frame holder clamp (with knob) to the bike positioned on the adapter.
- 2 Tighten the frame holder and lock it.
- 3 Adjust the position of the wheel and tension the wheels tight with the straps. Excess strap can be threaded through the rubber rings.



WARNING

Check that the bike is fastened securely.