

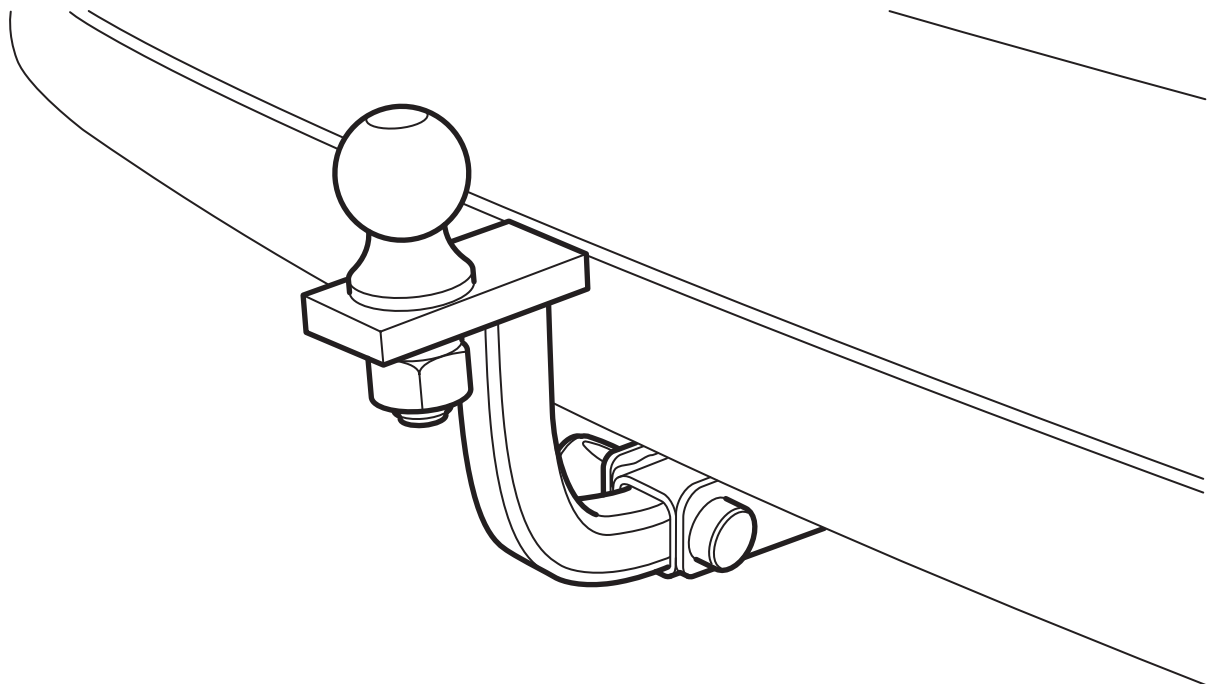


**MONTERINGSANVISNING · INSTALLATION INSTRUCTIONS  
MONTAGEANLEITUNG · INSTRUCTIONS DE MONTAGE**

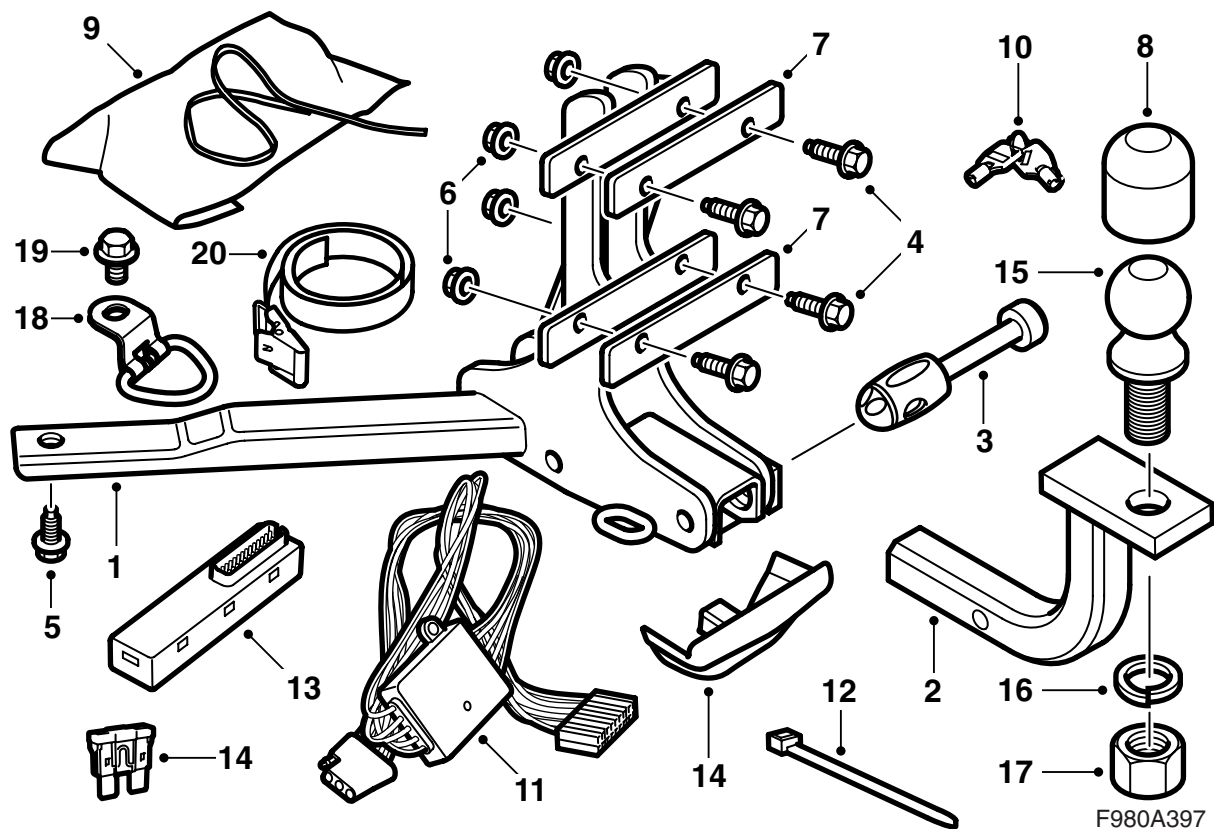
## Saab 9-3 5D M06-

### Towbar

Accessories Part No.	Group	Date	Instruction Part No.	Replaces
12 795 100 32 026 054	9:86-07	Oct 07	12 798 870	Jun 07



F980A033



- 1 Body bracket
- 2 Ball mounting
- 3 Locking pin
- 4 Bolt (x4)
- 5 Screw (x2)
- 6 Nut (x4)
- 7 Reinforcement plate (x2)
- 8 Ball cap
- 9 Storage bag
- 10 Key (x2)
- 11 Wiring harness with diode box
- 12 Cable tie (x4)
- 13 Electronic module
- 14 Cover (purchased separately)
- 15 Ball
- 16 Spring washer
- 17 Nut
- 18 Load securing eyelet
- 19 Screw
- 20 Belt

**Note**

Always check national legislation and regulations regarding mounting a towing bracket. Ensure that all requirements are complied with.

The towing bracket was designed and tested in accordance with standard V-5 Class 2.

**Maximum permitted trailer weight:**

Trailer with brake: 3500 lbs (1587 kg)

Trailer without brake: 1000 lbs (455 kg)

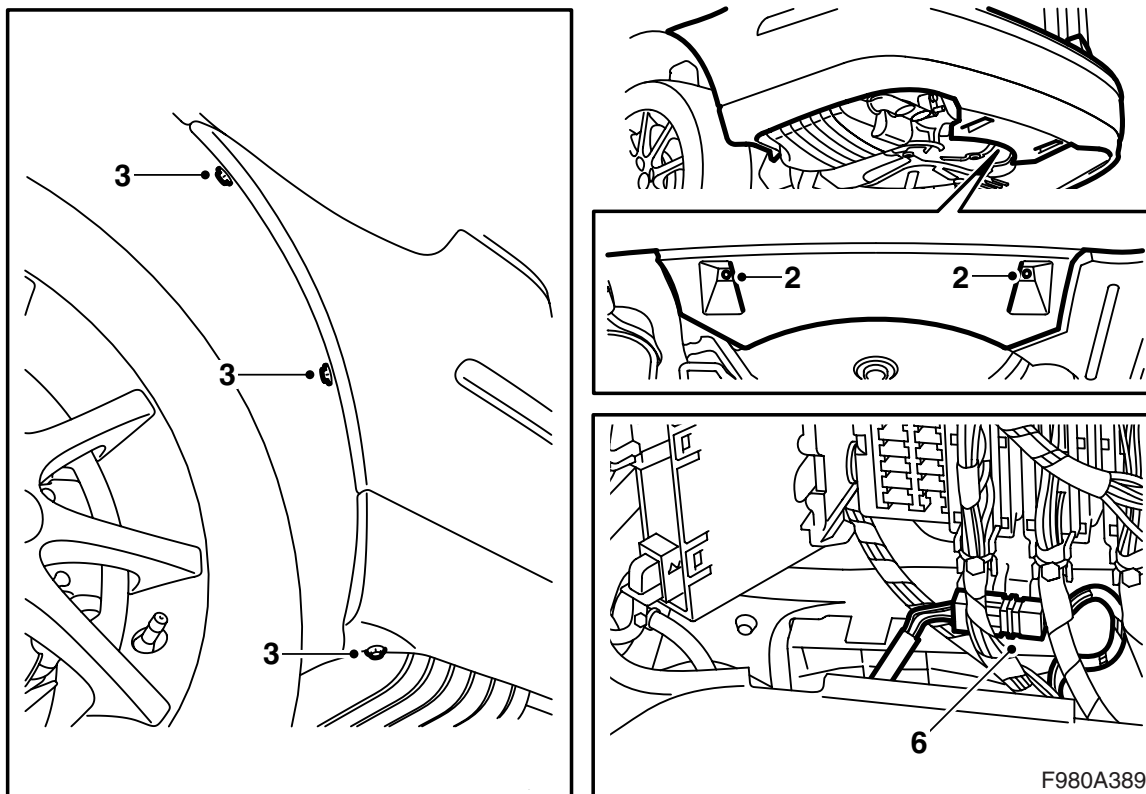
**Max. permissible ball pressure:** 165 lbs (75 kg)

---

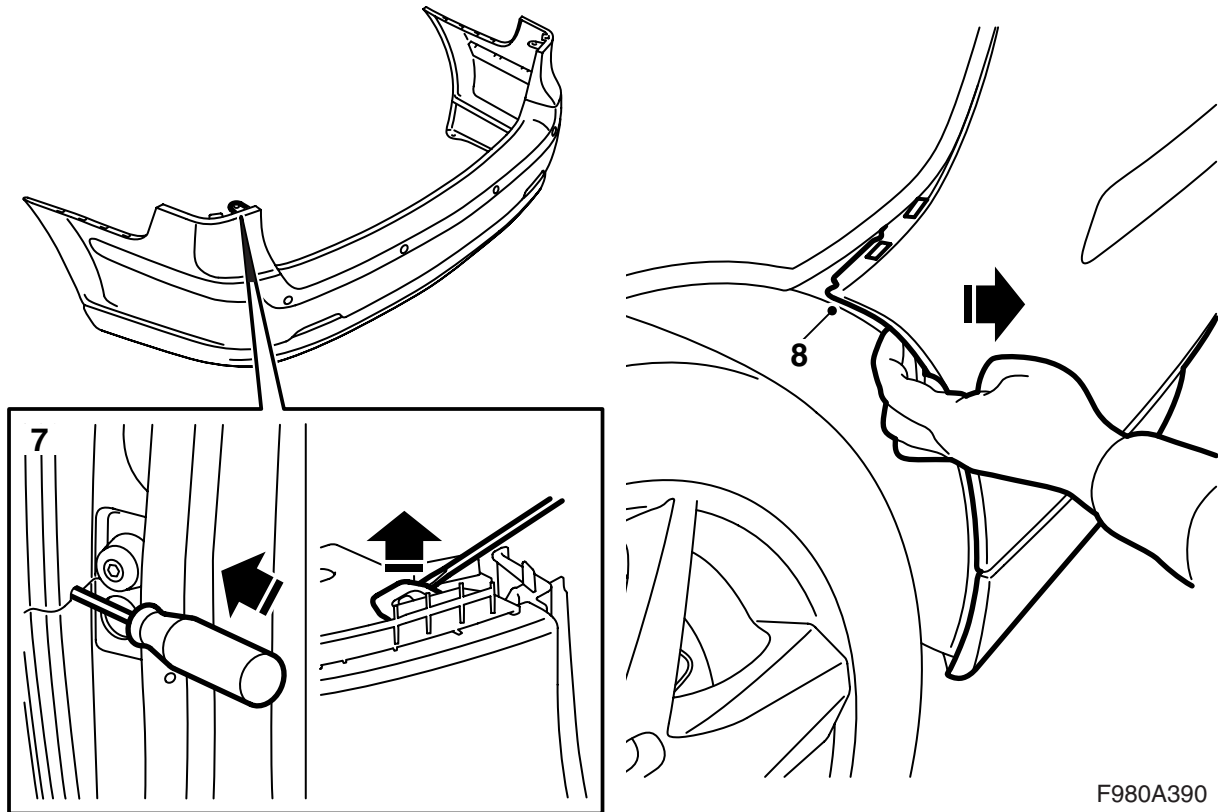
**Important**

The wiring harness must be connected following the description in these installation instructions. This is a requirement. If the wiring harness is connected in any other way, it could negatively affect the car's electrical system.

---

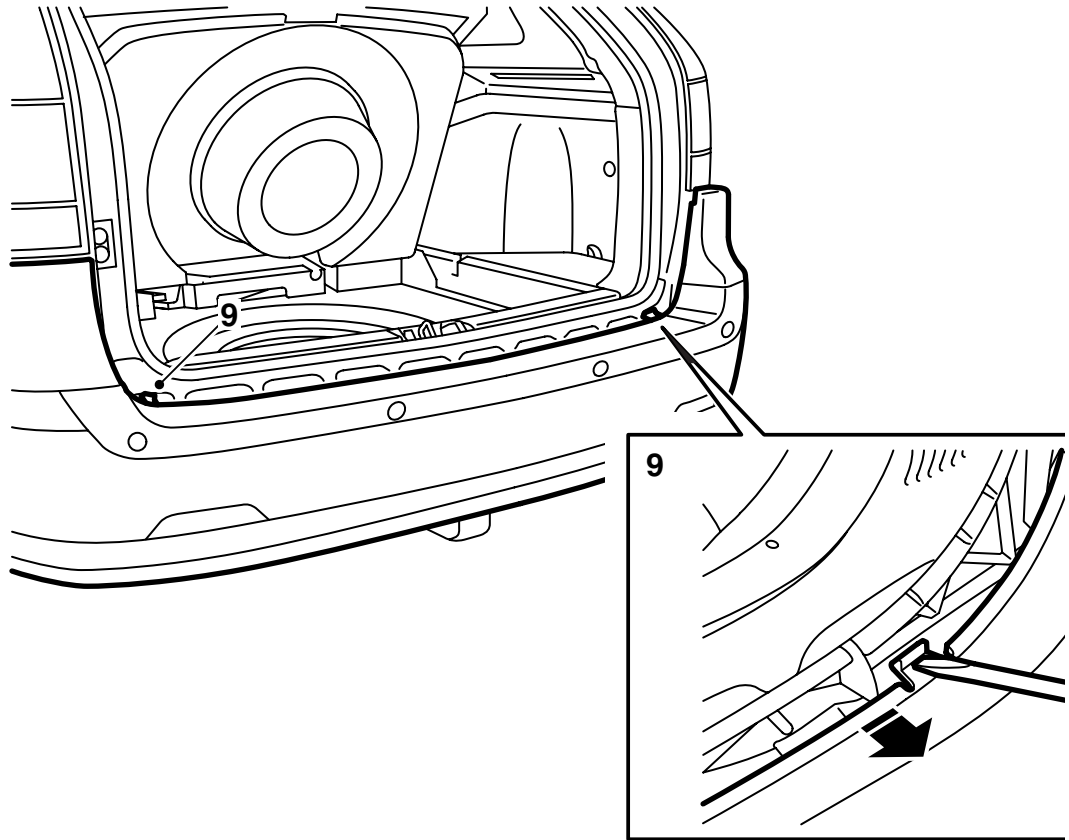


- 1 Raise the car.
- 2 Remove the spoiler's centre nuts.
- 3 Remove the screws to the wheel housing.
- 4 Lower the car, open the boot lid and fold up the floor.
- 5 Remove the hatch in the left-hand luggage compartment side trim.
- 6 **Cars with SPA:** Unplug the connector.

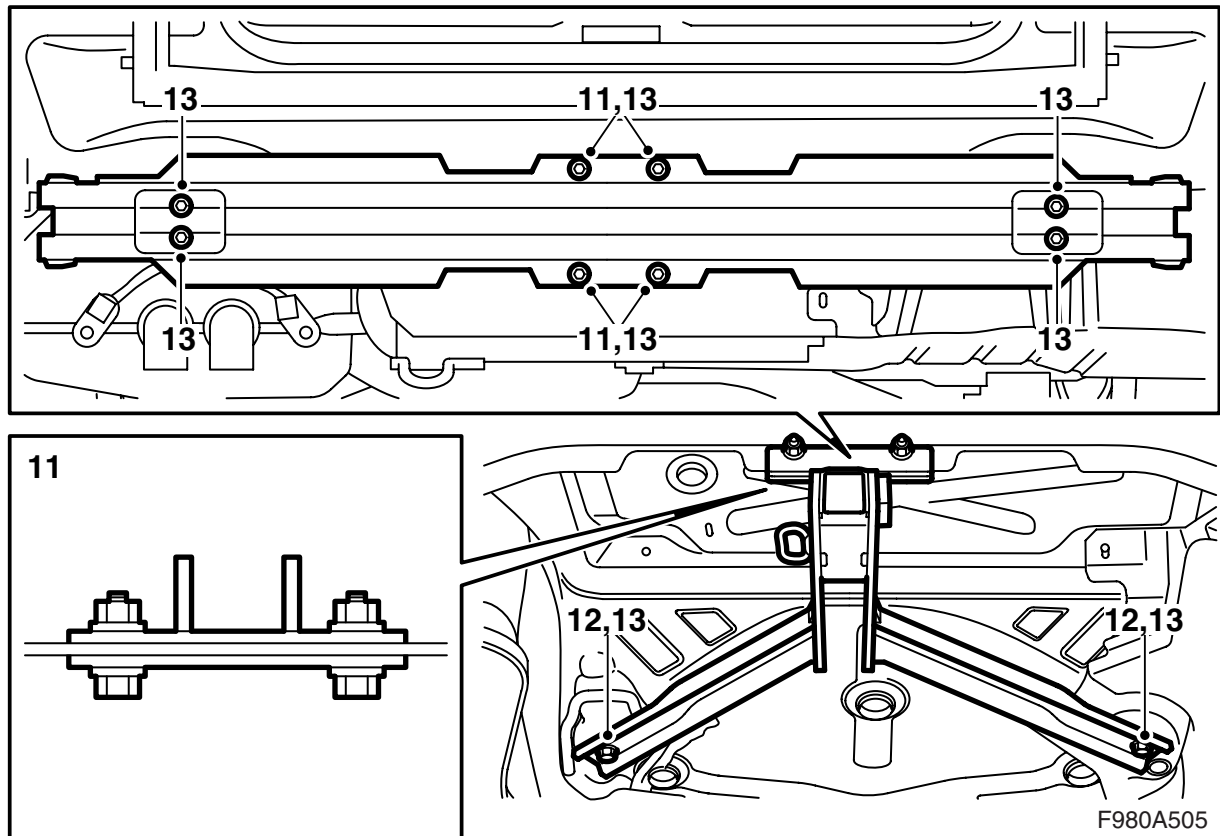


F980A390

- 7 Insert a screwdriver in the hole to reach under the catch. Bend carefully using the screwdriver to release the catch.
- 8 Pull the bumper shell away from the holders.



- 9 Release the catches using a screwdriver.  
Detach the shell from the strip.
  - 10 Lift off the bumper shell.
- Cars with SPA:** Pull out the wiring harness.

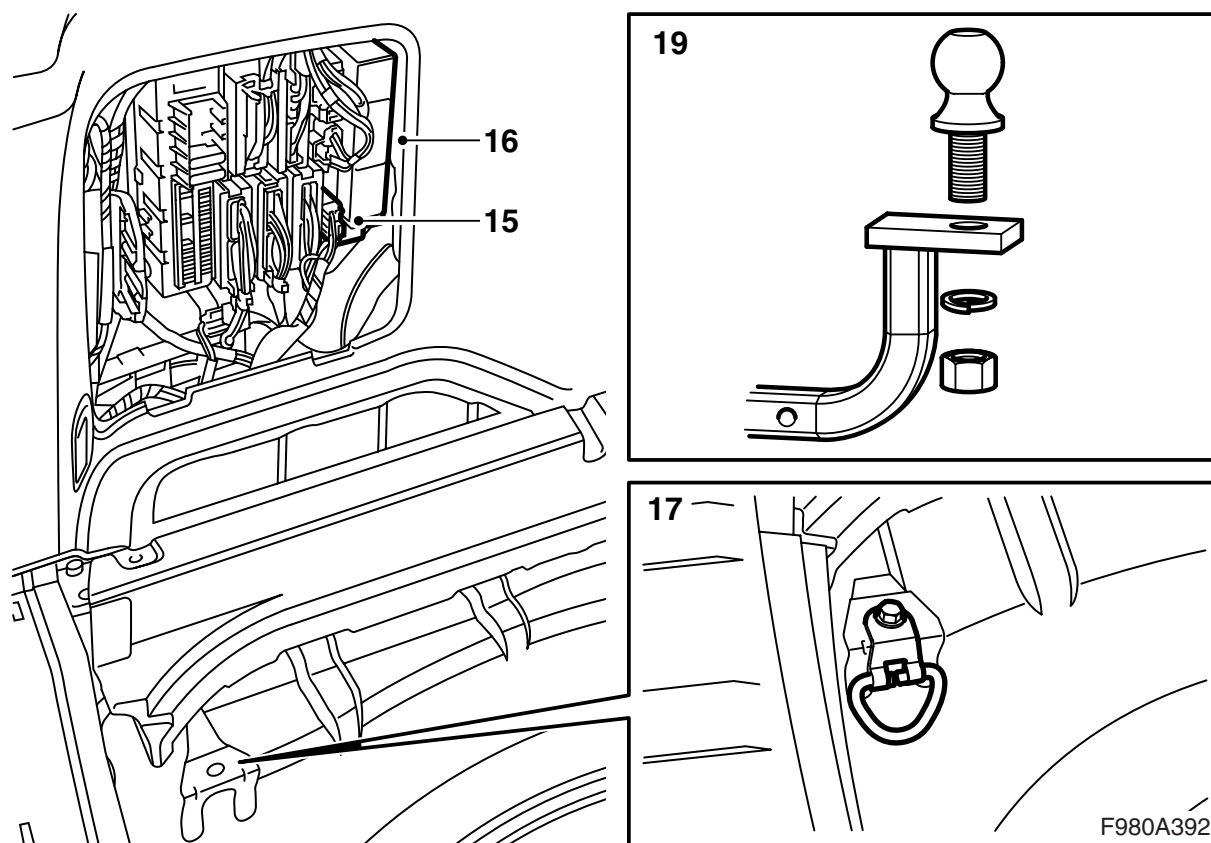


- 11 Mount the towing bracket using bolts and nuts together with the reinforcements in the four bumper member holes and raise the car.
- 12 Fasten the towing bracket in the floor under the spare wheel well.
- 13 Tighten the bumper member mountings against the body as well as the screws, bolts and nuts holding the towing bracket against the bumper member and floor.

**Tightening torque, bumper member against body 50 Nm (37 lbf ft)**

**Tightening torque, towing bracket against bumper member 50 Nm (37 lbf ft)**

**Tightening torque, towing bracket against floor 50 Nm (37 lbf ft)**



- 14 Lower the car.  
 15 Plug the wiring harness connector into the REC and secure the wiring harness with four cable ties.

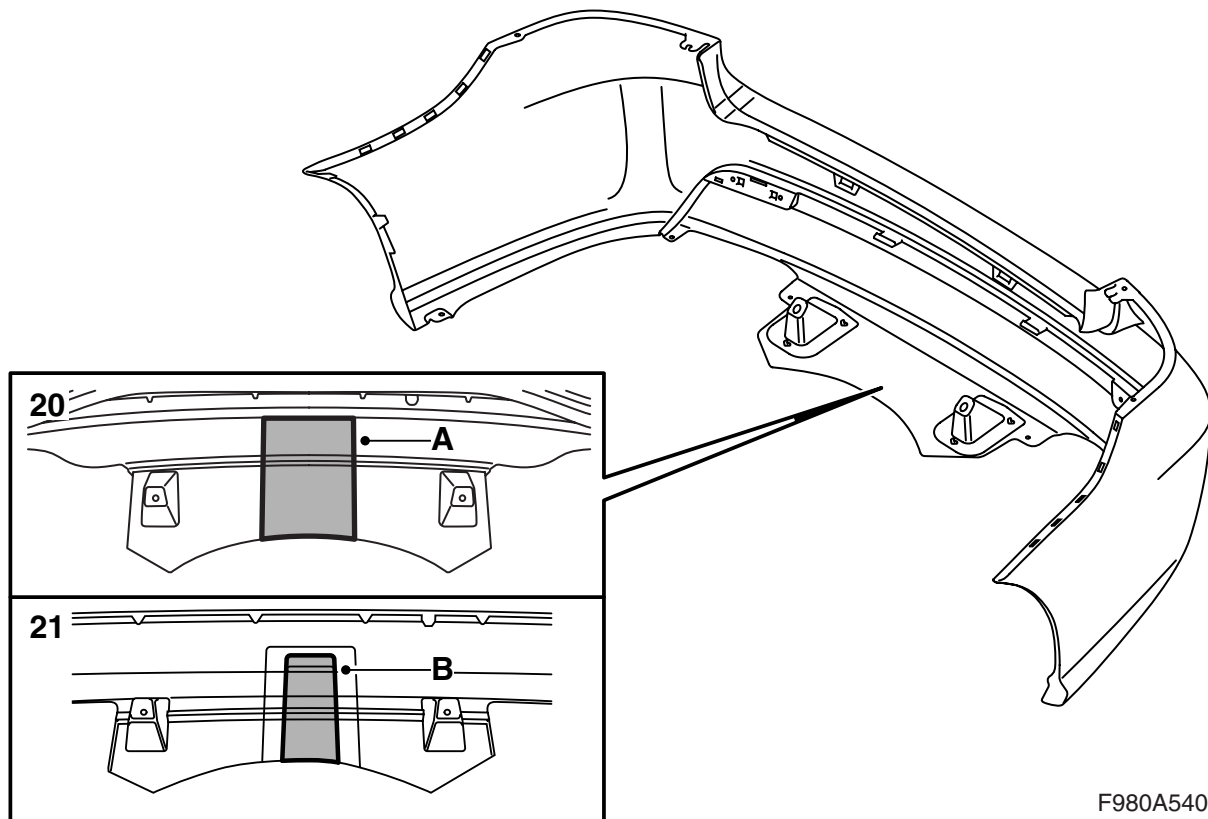
### Important

The blue/white (BU/WH) cable which is not connected in the connector must not be used, but must be secured together with the wiring harness in the nearest cable tie.

- 16 Fit the kit's electronic module in the REC and fit the fuse in position 8 in the rear electrical centre.  
 17 **M06-07 without subwoofer:** Fit the load securing eyelet.  
**M08 with or without subwoofer:** Fit the load securing eyelet.  
 18 Fit the ball mounting, see "User instructions".  
 19 Fit the ball to the mounting.

**Tightening torque 180 Nm (133 lbf ft)**





F980A540

#### 20 M06-07, cars without a bumper skirt

Cut/saw from the inside of the bumper within the reinforcement ribs as per the marking (A).

#### **WARNING**

Use of a saw and knife entails a risk of injury. Exercise caution when cutting. Check that the bumper shell is stably positioned before beginning to cut. Use personal protection equipment, such as protective gloves, safety goggles and hearing protection.

#### **Note**

Adapt the cut-out to the towbar after installation if necessary. Check that there is a small amount of play between the towbar and bumper.

#### 21 M06-07, cars with a bumper skirt

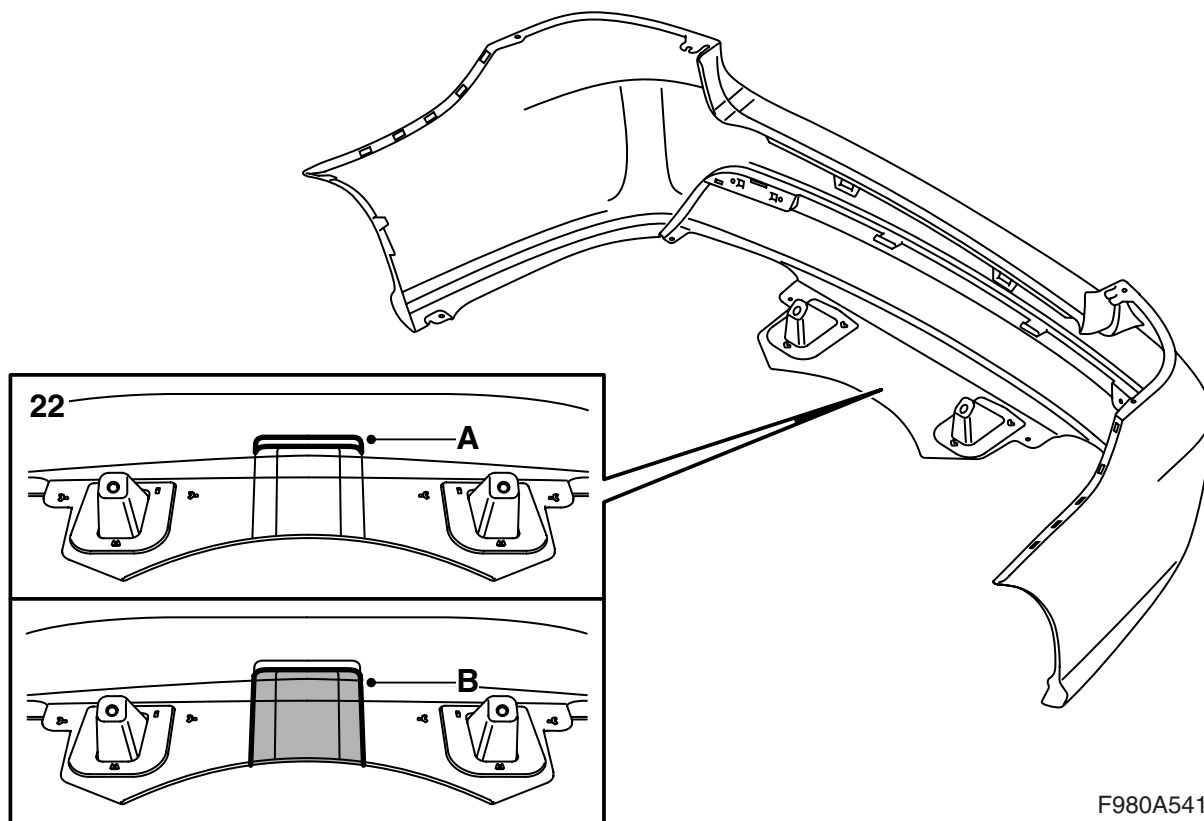
Cut/saw from the inside of the bumper within the reinforcement ribs as per the marking (B).

#### **WARNING**

Use of a saw and knife entails a risk of injury. Exercise caution when cutting. Check that the bumper shell is stably positioned before beginning to cut. Use personal protection equipment, such as protective gloves, safety goggles and hearing protection.

#### **Note**

Adapt the cut-out to the towbar after installation if necessary. Check that there is a small amount of play between the towbar and bumper.



F980A541

## 22 M08, cars without a bumper skirt:

22.1 Print template 1 and cut out the template.

### Important

Check that the size of the template corresponds with the measurements after printing.

Create your own template if it is not possible to get the printout to correspond with the measurements.

22.2 Place template 1 (A) on the inside of the bumper shell against the upper marking and draw around the bottom edge of the template.

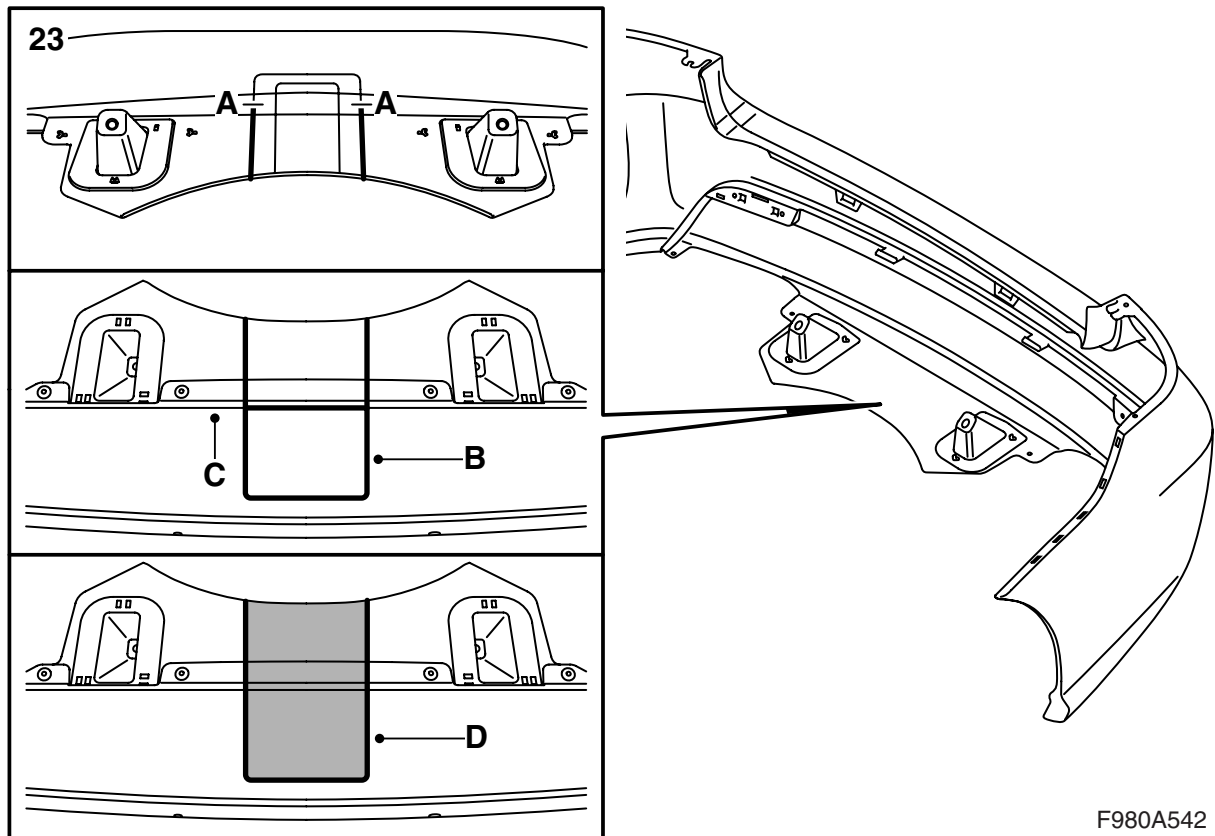
22.3 Cut/saw from the inside of the bumper shell (B).

### WARNING

Use of a saw and knife entails a risk of injury. Exercise caution when cutting. Check that the bumper shell is stably positioned before beginning to cut. Use personal protection equipment, such as protective gloves, safety goggles and hearing protection.

### Note

Adapt the cut-out to the towbar after installation if necessary. Check that there is a small amount of play between the towbar and bumper.



F980A542

### 23 M08, cars with a bumper skirt:

23.1 Print template 2 and cut out the template.

#### Important

Check that the size of the template corresponds with the measurements after printing.

Create your own template if it is not possible to get the printout to correspond with the measurements.

23.2 Saw from the inside of the bumper according to the outer markings up to (A).

23.3 Turnover the bumper

23.4 Place template 2 (B) on the outside of the bumper skirt against the edge (C). Centre between the cut slots and draw around the template.

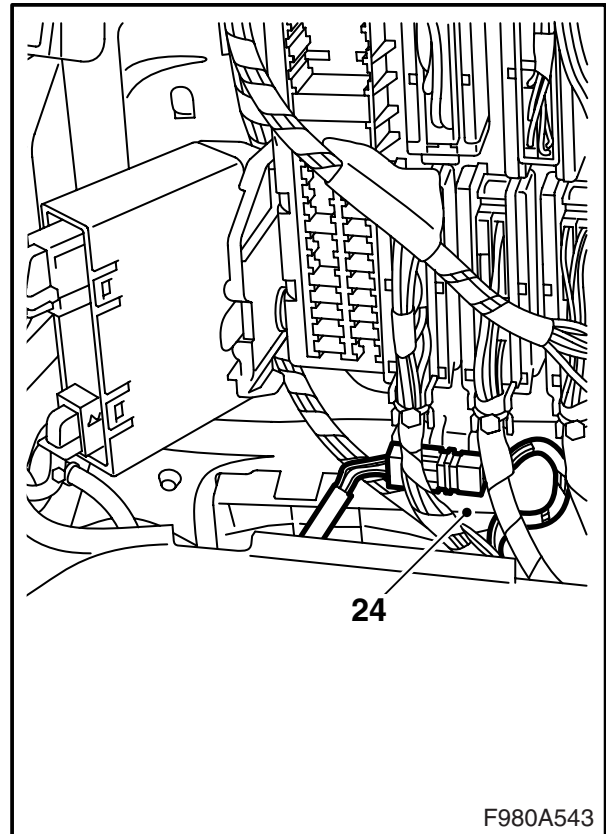
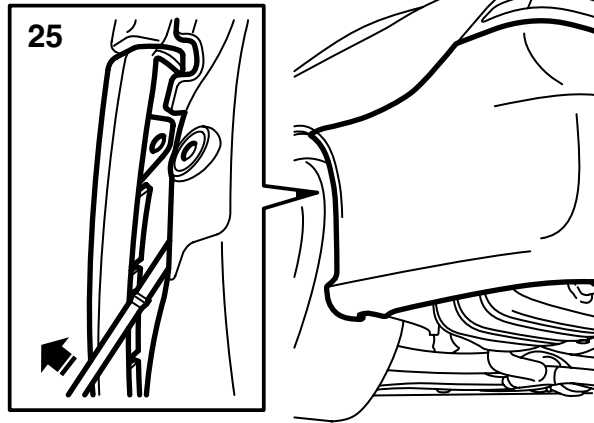
23.5 Saw from the outside of the bumper skirt as per the marking (D).

#### WARNING

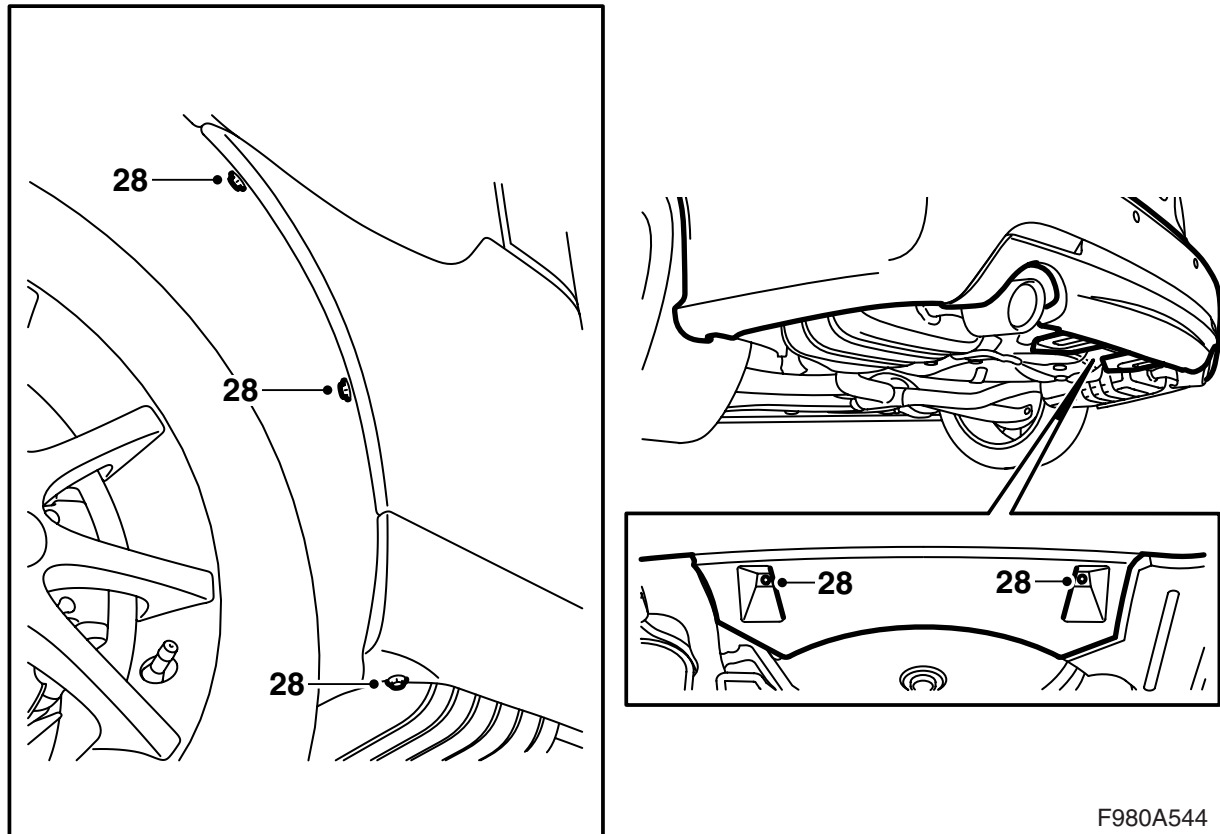
Use of a saw and knife entails a risk of injury. Exercise caution when cutting. Check that the bumper shell is stably positioned before beginning to cut. Use personal protection equipment, such as protective gloves, safety goggles and hearing protection.

#### Note

Adapt the cut-out to the towbar after installation if necessary. Check that there is a small amount of play between the towbar and bumper.



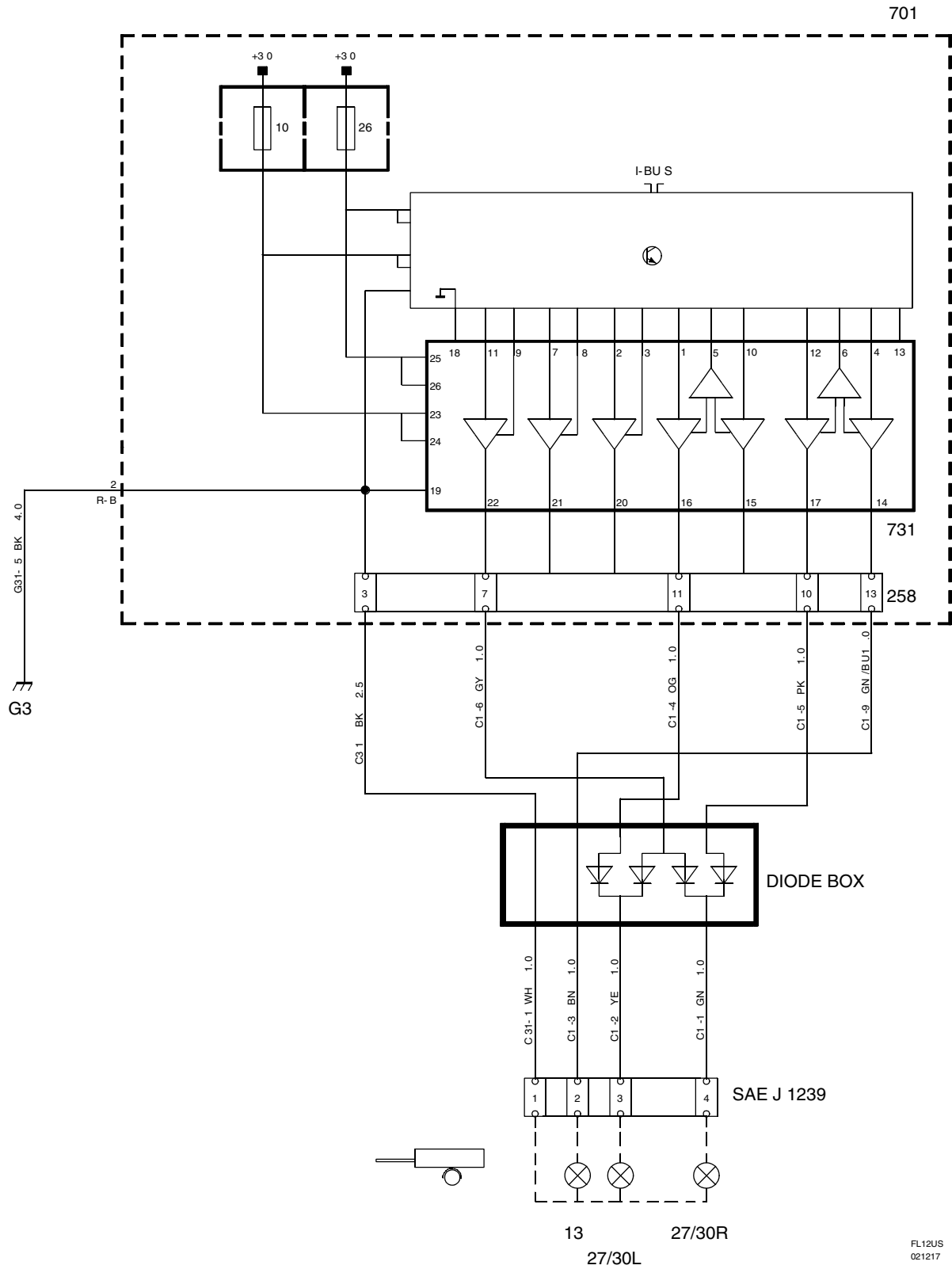
- 24 **SPA:** Insert and plug in the connector.
- 25 Fit in the two tabs of the bumper shell under the holders and the outer corners between the wing liner and the mounting points at the wheel housings. Press the bumper shell into place.



F980A544

- 26 Fit the hatch in the side trim..
- 27 Raise the car.
- 28 Fit the two nuts holding the rear bumper air shield to the body and fit the screws holding the bumper shell to the wheel housings.

Wiring diagram



---

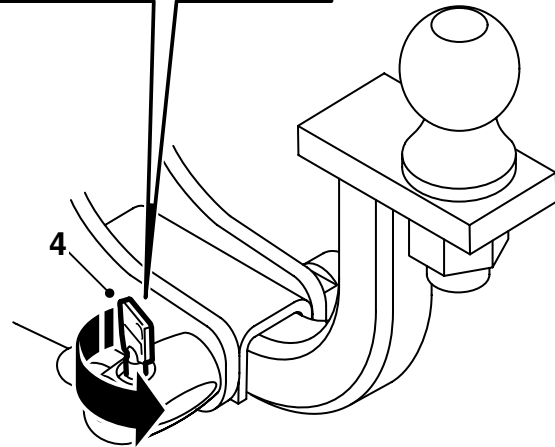
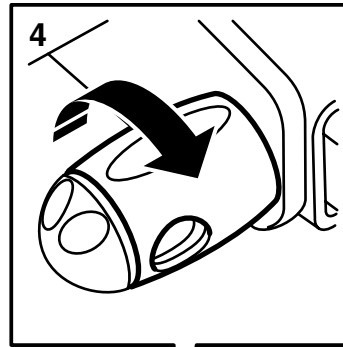
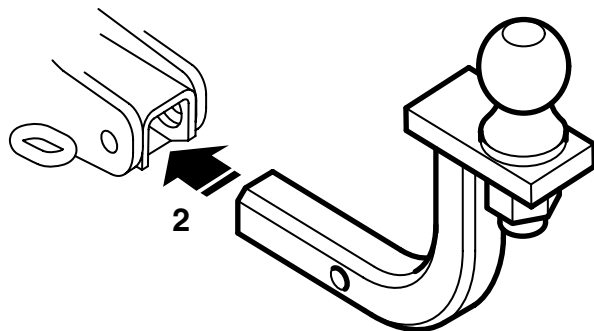
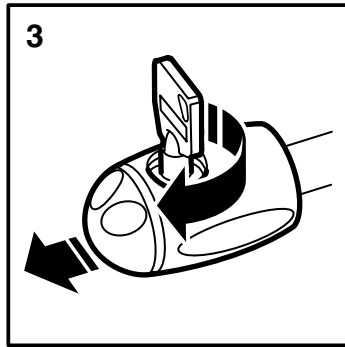
**List of components**

<b>No.</b>	<b>Name position</b>
<b>Components</b>	
13	Lamp, parking light, trailer
27/30	Lamp, direction indicators/brake lights, trailer
258	Connector, towbar wiring harness, in the luggage compartment electrical distri- bution unit
701	Luggage compartment electrical distribution unit, on the wall behind the left-hand rear wheel housing
731	Trailer control module, in the luggage compartment electrical distri- bution unit
<b>Grounding points</b>	
G3	In the luggage compartment below the left- hand light cluster

---







F980A038

**User instructions**  
(keep in the car's Owner's Manual)

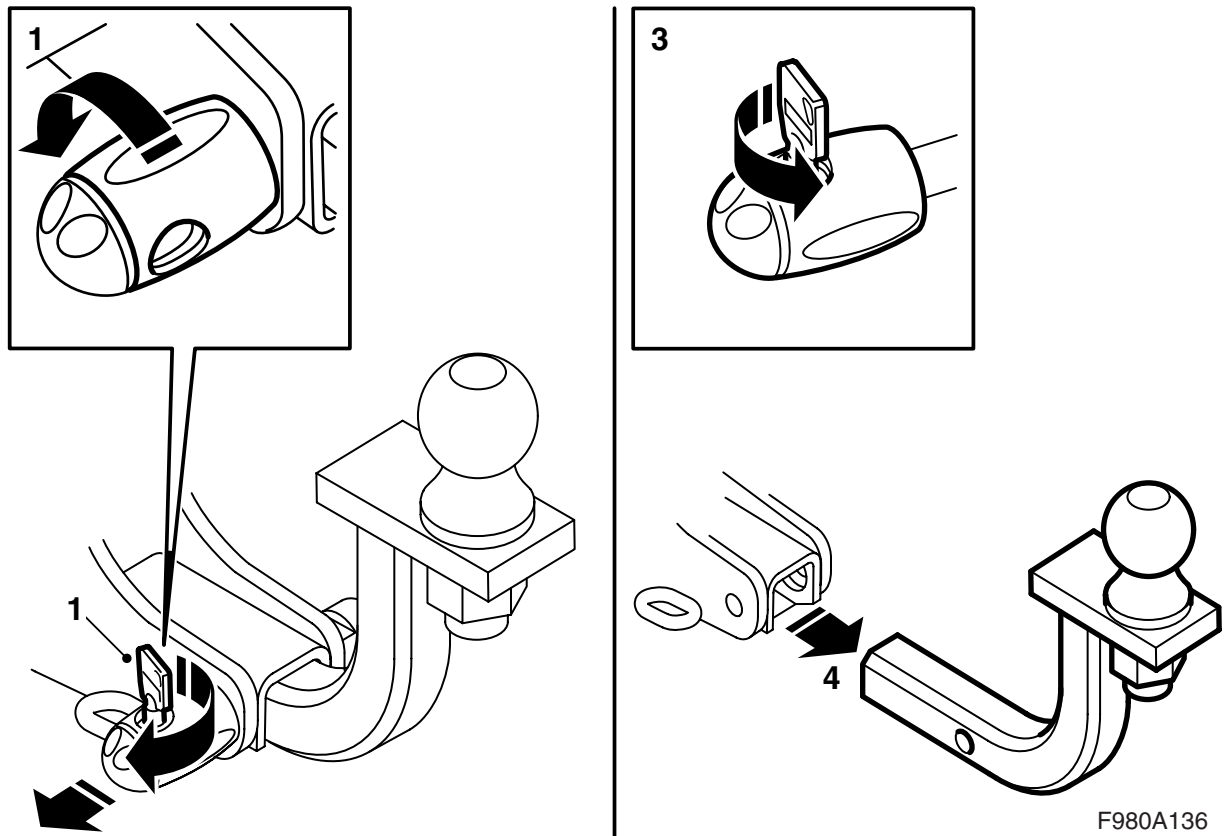
**⚠ WARNING**

To ensure that the towbar is coupled **correctly and safely**:

- The coupling mechanism must **always** be well lubricated. Use a base oil with anti-corrosion properties and with a wide temperature range. We recommend that you contact an authorised Saab workshop regarding which lubricant is appropriate.
- **Always** fit the protective cover when the towball unit is not attached.
- It must **always** be possible to detach and attach the towball unit without it jamming.

**To attach the towball unit**

- 1 Remove the cover.
- 2 Fit the ball unit.
- 3 Insert the key in the pin's lock, turn it clockwise and remove the pin's lock.
- 4 Insert the pin into the towing bracket hole and fit the lock to the pin. Turn the key anticlockwise to lock the pin and then remove the key. Turn the lock sleeve to hide and protect the lock.

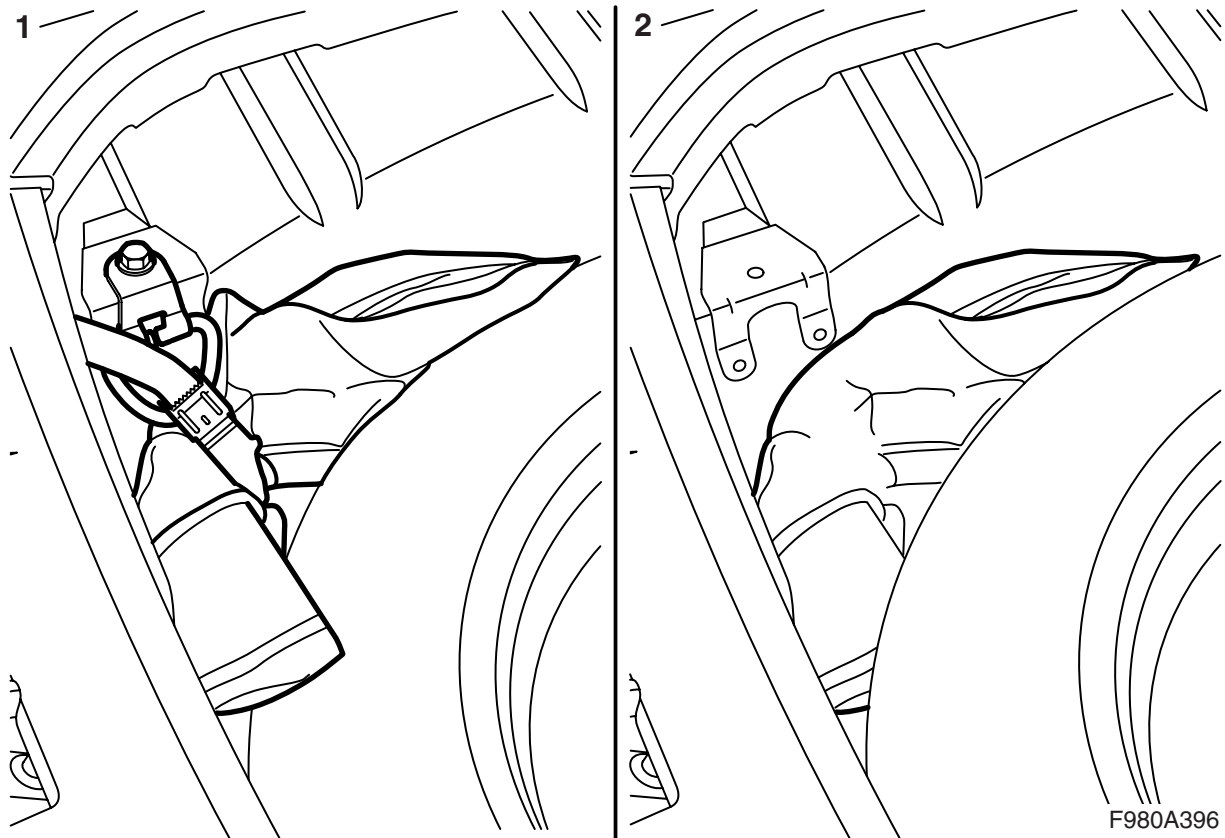


#### To detach the towball unit

- 1 Turn the sleeve to access the lock. Insert the key, turn it clockwise and remove the pin's lock.
- 2 Pull out the pin.
- 3 Fit the lock on the pin, turn the key anticlockwise and remove it.
- 4 Remove the ball unit.
- 5 Fit the cover.

When the towbar is not in use, the wiring harness must be stored in the following location:

Behind the hatch in the left-hand side trim.



---

### Important

**M06-07 without subwoofer (1):** Whenever the ball unit is removed it must be strapped into the eyelet in the left-hand rear corner of the spare wheel well.

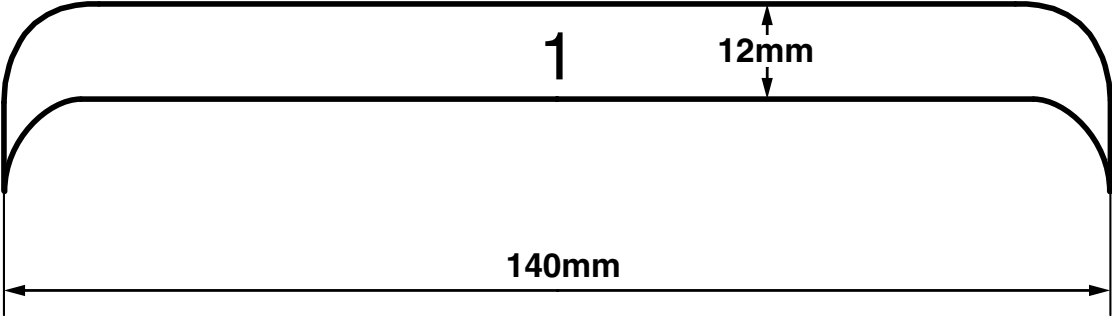
**M06-07 with subwoofer (2):** Whenever the ball unit is removed it must be stored in the left-hand rear corner of the spare wheel well. The subwoofer must be tightened.

**M08 with or without subwoofer (1):** Whenever the ball unit is removed it must be strapped into the eyelet in the left-hand rear corner of the spare wheel well.

---



Template 1



F980A514



Template 2

