

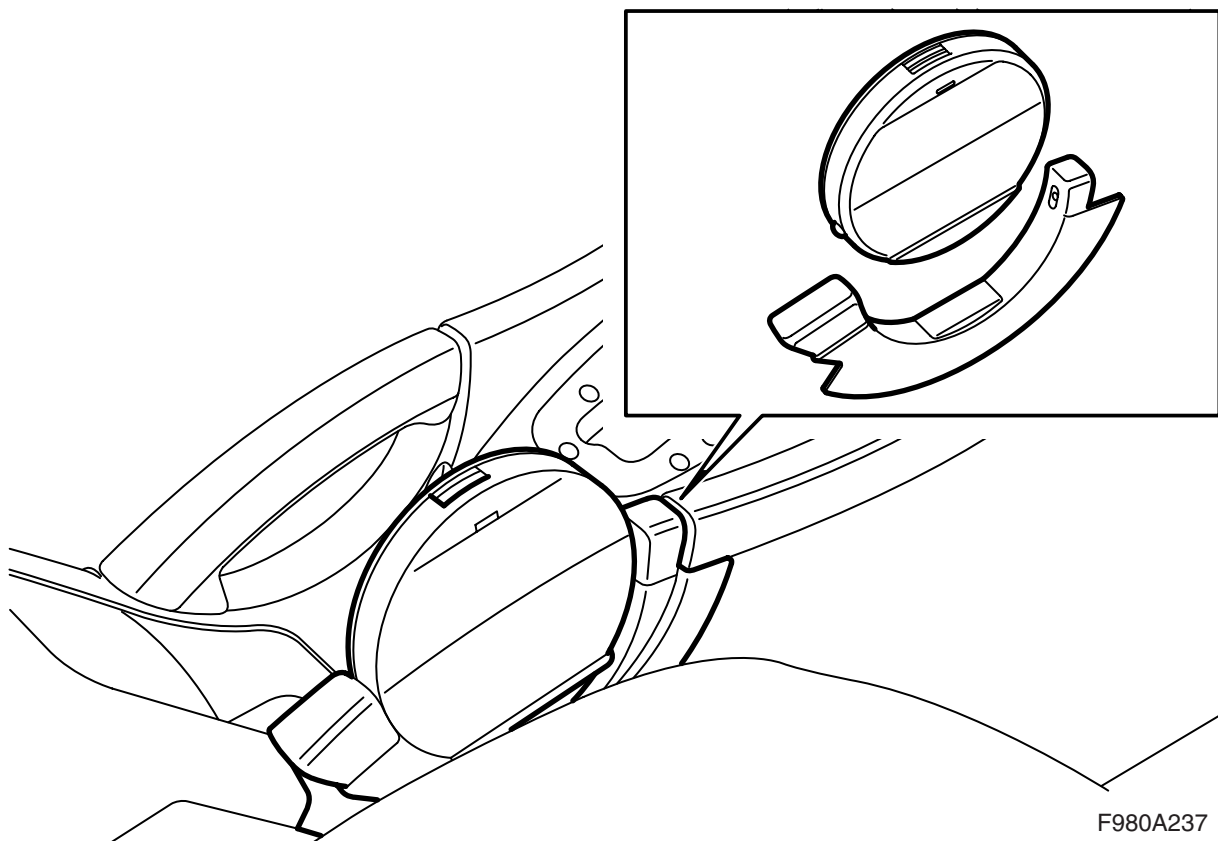


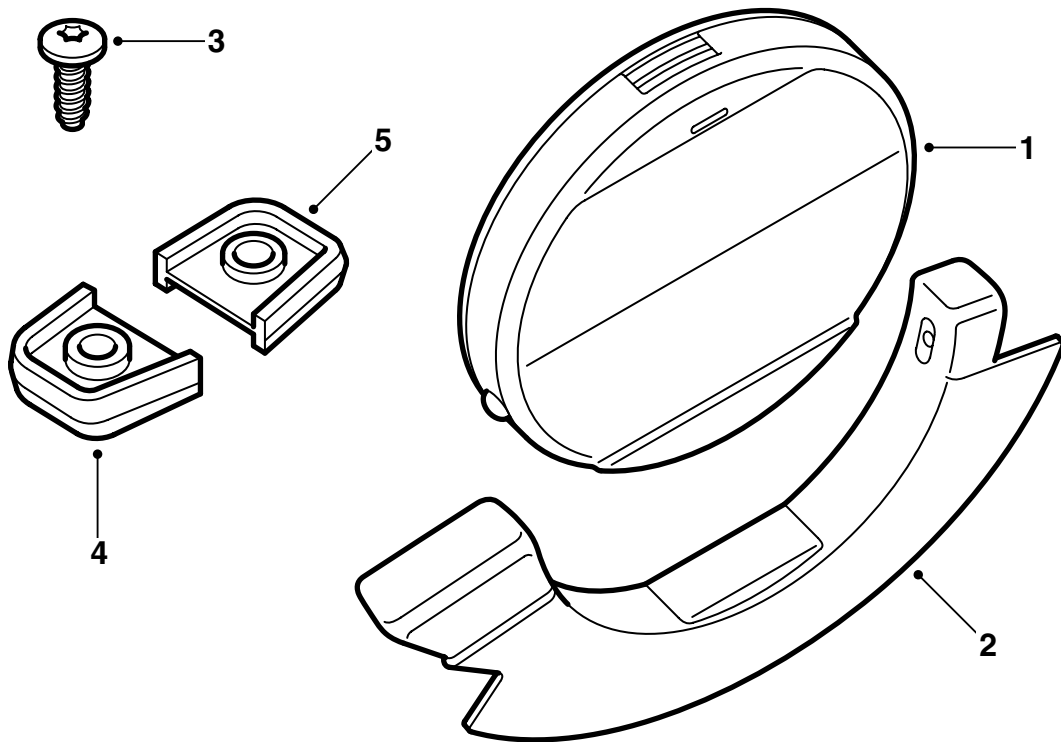
**MONTERINGSANVISNING · INSTALLATION INSTRUCTIONS
MONTAGEANLEITUNG · INSTRUCTIONS DE MONTAGE**

Saab 9-3 M03-

CD holder

Accessories Part No.	Group	Date	Instruction Part No.	Replaces
12 795 210 12 795 363	9:85-17	Dec 02	12 798 405	12 798 405 Sep 02





F980A238

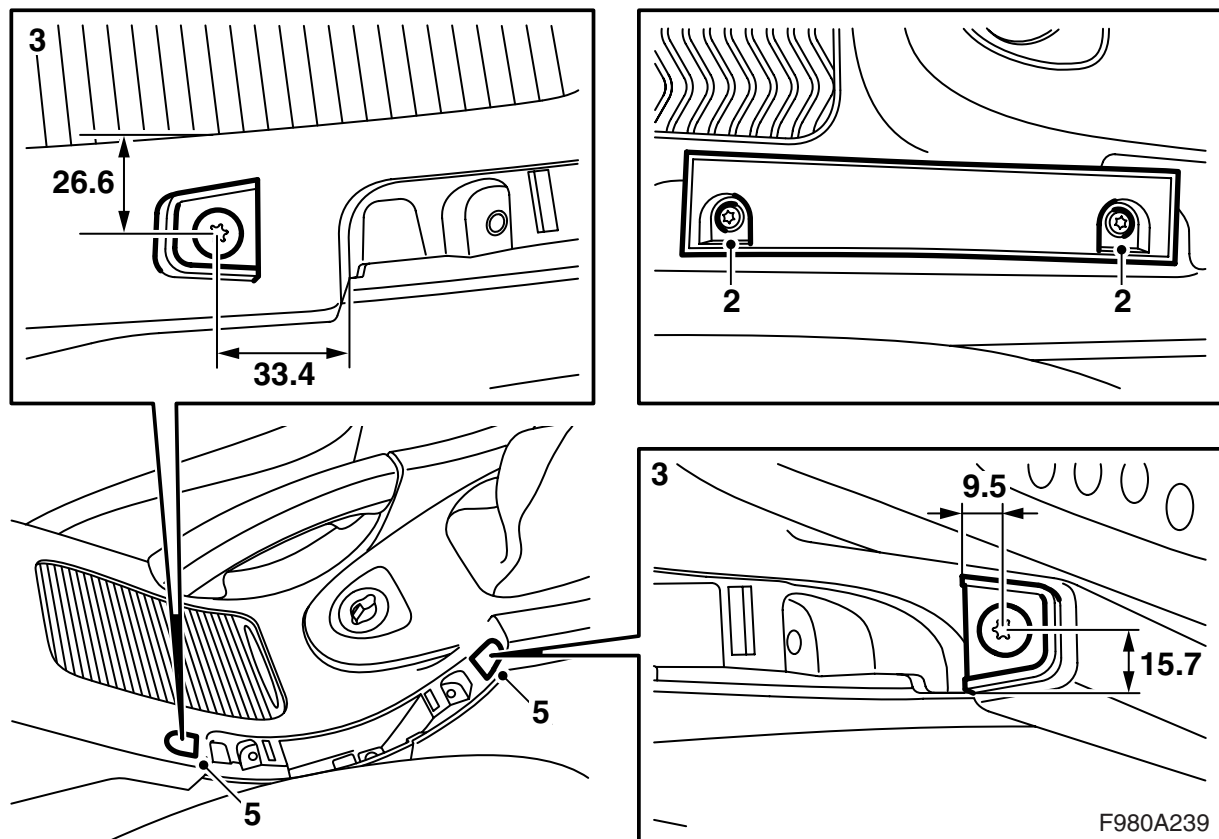
- 1 CD compartment
- 2 Bracket
- 3 Screw (2)
- 4 Support, front (thick)
- 5 Support, rear (thin)

Note

The supports are marked LHD on one side and RHD on the other side.

LHD, see page 3

RHD, see page 5

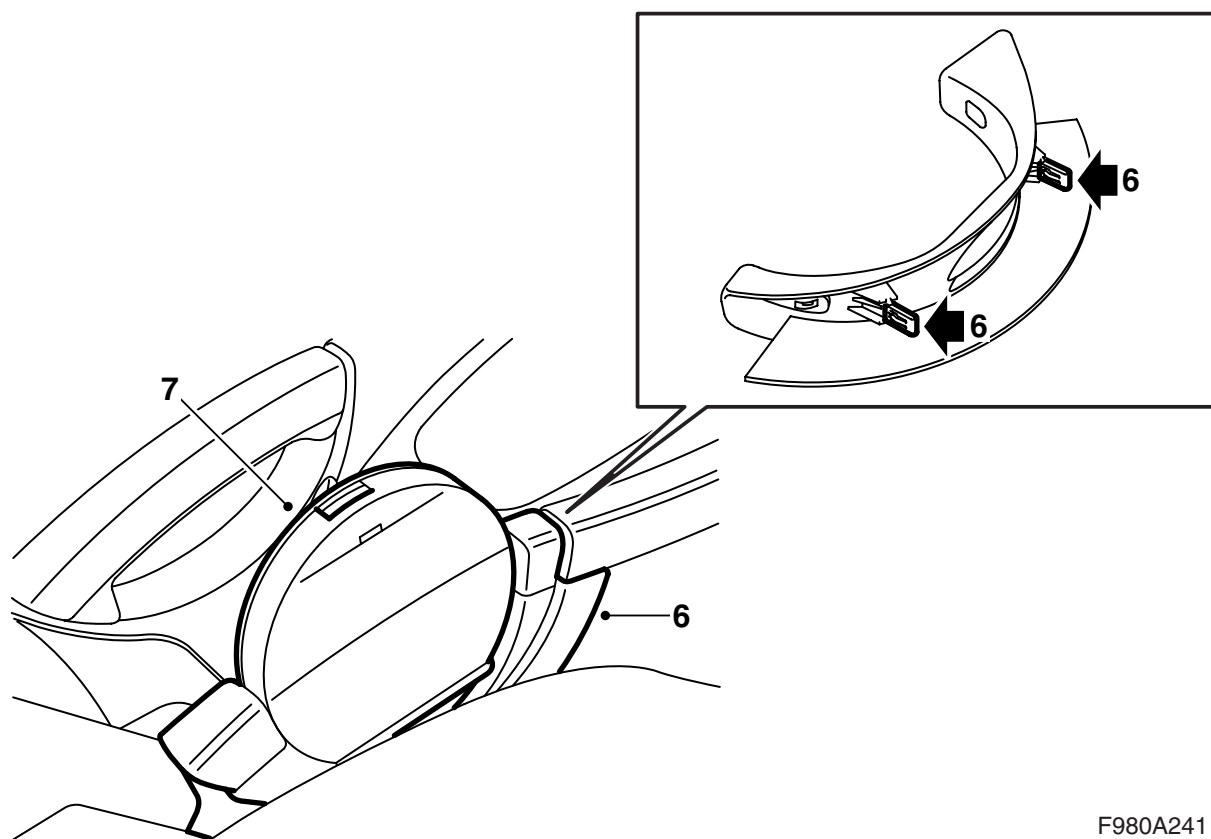
**LHD**

- 1 Pull out the upper part of the spacer.
- 2 Remove the spacer (2 screws).
- 3 Mark the positions of the supports as per the dimensions.
- 4 Drill holes using a 4 mm drill bit.
- 5 Fit the supports. The thicker one must be fitted at the front hole and the thinner one at the rear hole.

Note

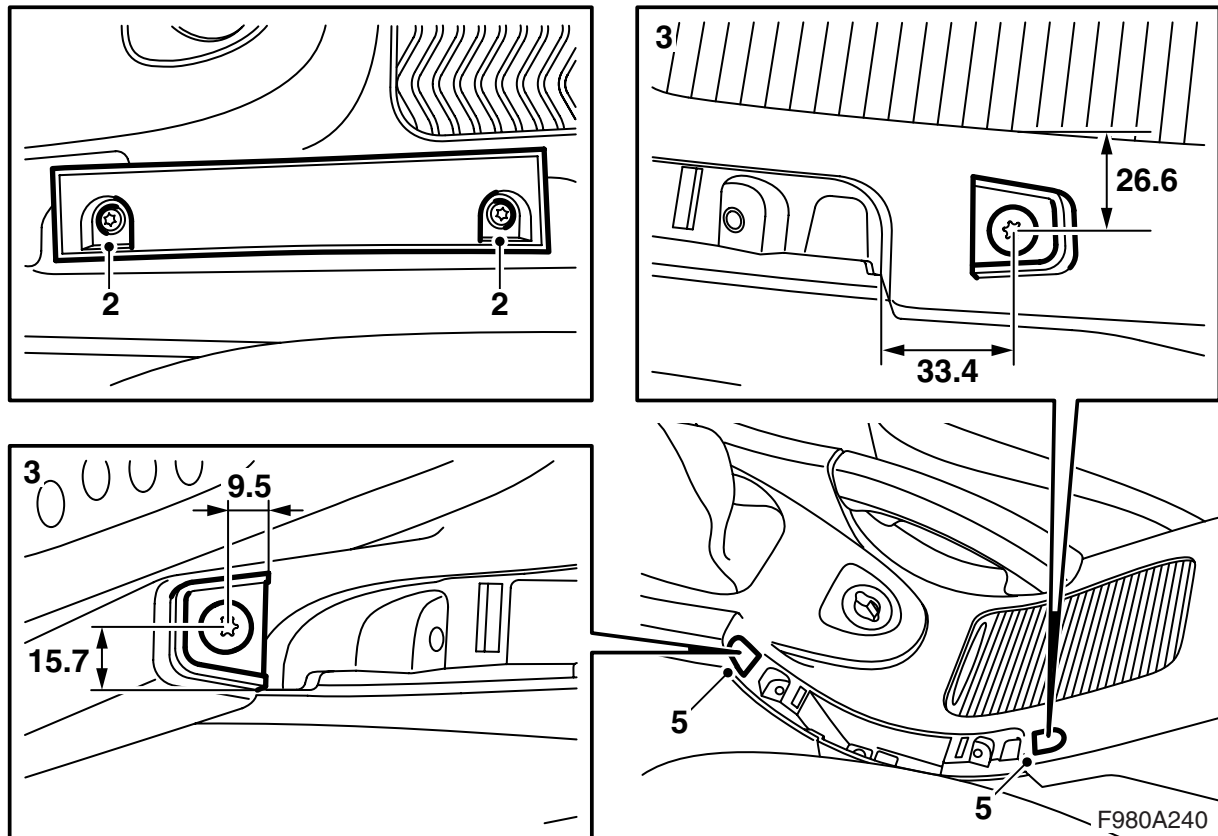
The supports are marked LHD on one side and RHD on the other side.

Tightening torque 2 Nm (1.5 lbf ft)



F980A241

- 6 Guide the CD holder bracket into the holes in the floor console and press the bracket home.
- 7 Press the CD holder home into the bracket.

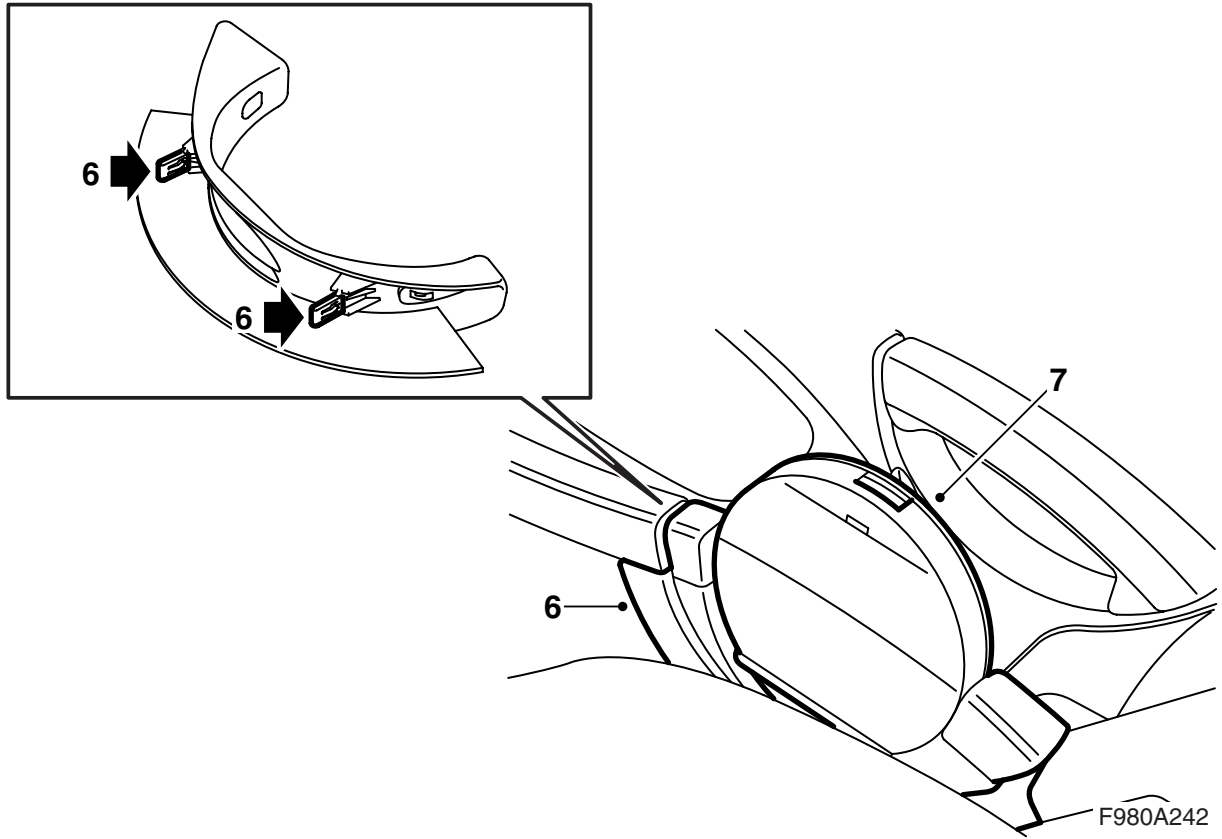
**RHD**

- 1 Pull out the upper part of the spacer.
- 2 Remove the spacer (2 screws).
- 3 Mark the positions of the supports as per the dimensions.
- 4 Drill holes using a 4 mm drill bit.
- 5 Fit the supports. The thicker one must be fitted at the front hole and the thinner one at the rear hole.

Note

The supports are marked LHD on one side and RHD on the other side.

Tightening torque 2 Nm (1.5 lbf ft)



- 6 Guide the CD holder bracket into the holes in the floor console and press the bracket home.
- 7 Press the CD holder home into the bracket.