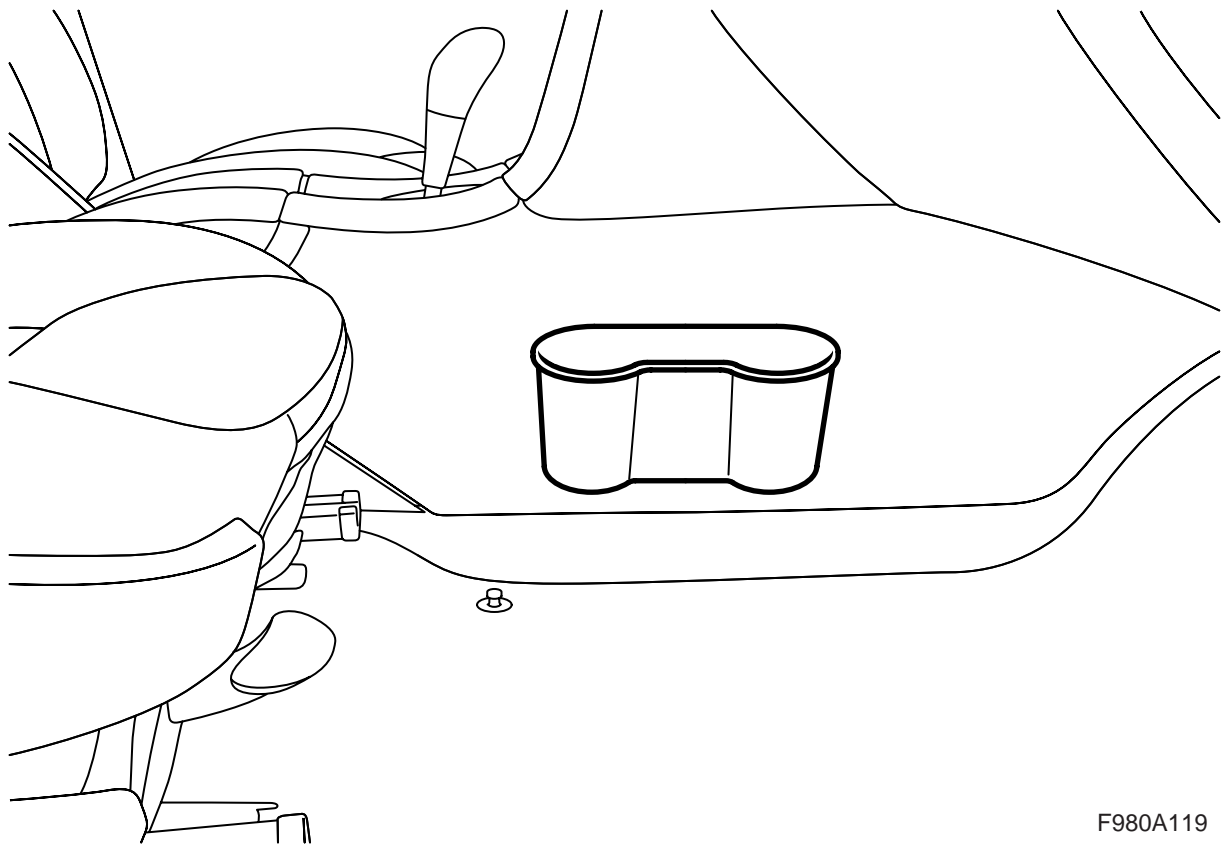




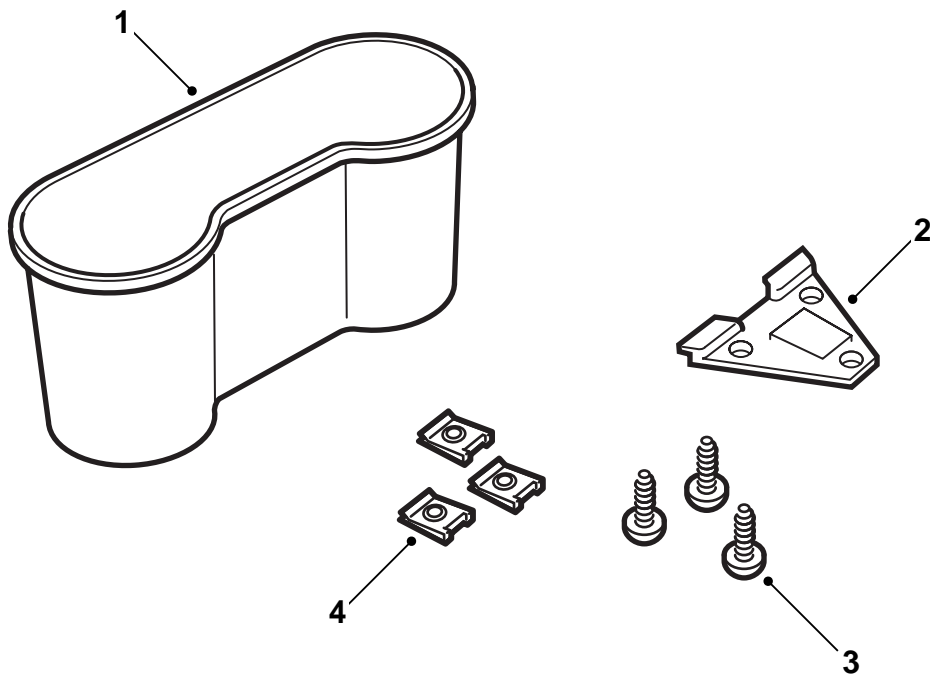
**MONTERINGSANVISNING · INSTALLATION INSTRUCTIONS
MONTAGEANLEITUNG · INSTRUCTIONS DE MONTAGE**

Saab 9-3 M03-, Saab 9-5
Wastebasket

Accessories Part No.	Group	Date	Instruction Part No.	Replaces
12 803 287	9:85-27	May 03	12 803 292	

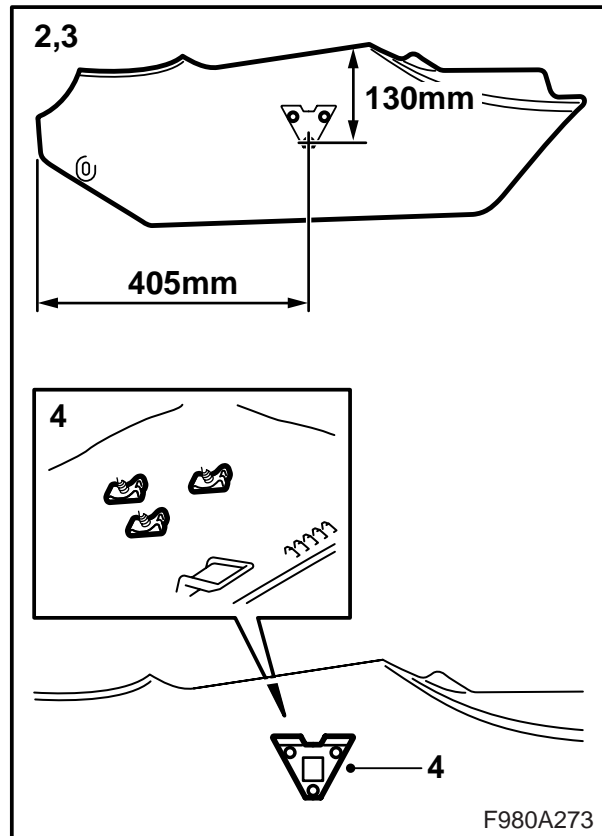
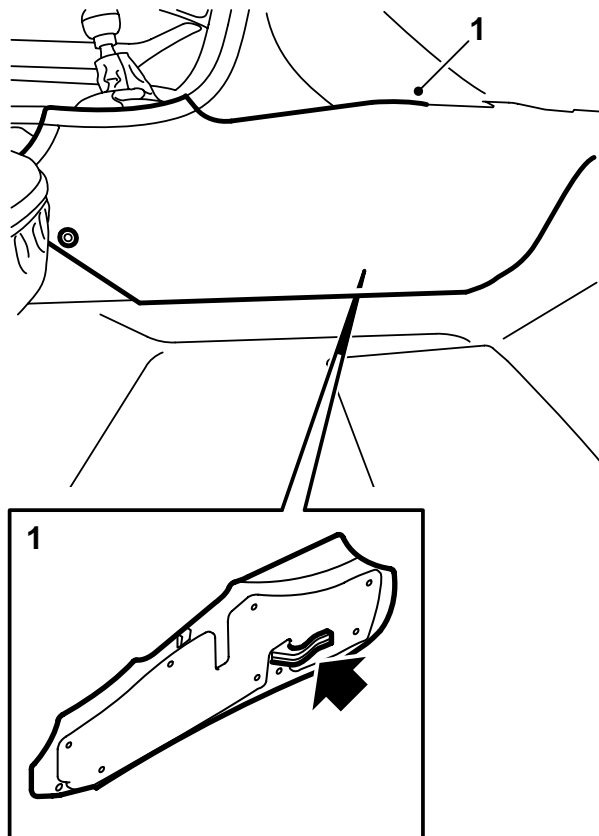


F980A119



F980A272

- 1 Wastebasket
- 2 Mounting
- 3 Bolt (x3)
- 4 Clip nut (x3)



Saab 9-3 M03-

- 1 **LHD:** Remove the centre console right-hand side panel.
RHD: Remove the centre console left-hand side panel.
- 2 Measure out the location for the wastebasket mounting. The lower bolt must be located 130 mm below the top edge of the side trim and 405 mm from the rear edge of the side trim. The top edge of the mounting should be parallel with the top edge of the side trim. Mark the drill hole positions.
- 3 Drill the holes using a 5.5 mm bit as per the three markings.
- 4 Fit the mounting for the wastebasket using the three bolts and the three clip nuts on the rear of the side trim.
- 5 Fit the sit trim.
- 6 Give the installation instructions to the customer and make him or her aware of the user instructions.

User instructions

The uses for the wastebasket can include holding drinks in the form of cans and small bottles as well as for CD discs, but if it is to be used for rubbish then a suitable bag should be used as an insert to facilitate emptying.

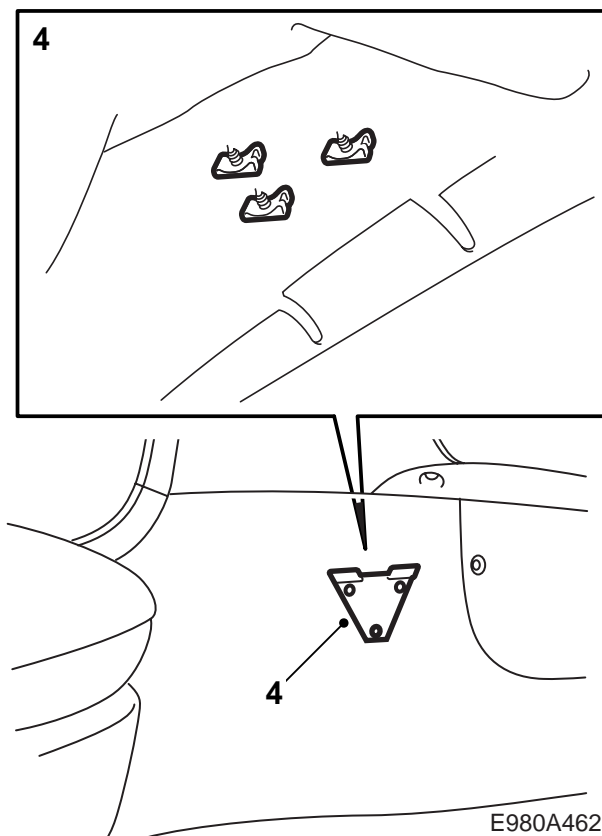
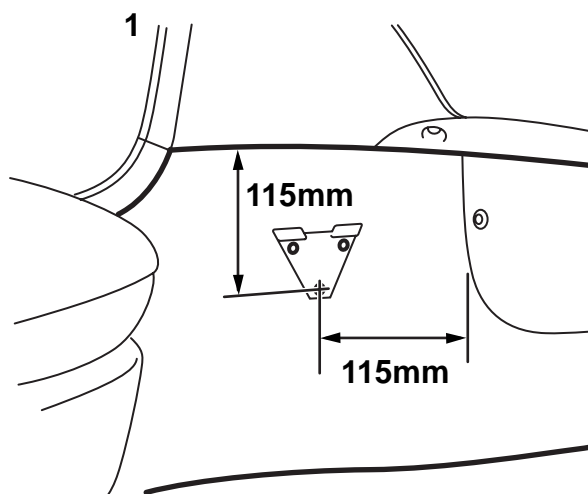
Important

The maximum load on the wastebasket is 1 kg.

The wastebasket can also be located in other positions as required, but this is the position recommended by Saab Automobile AB.

WARNING

The wastebasket must not be positioned so that impact safety and road safety is jeopardised.



Saab 9-5

- 1 Measure out the location for the wastebasket mounting on the passenger side. The lower bolt must be located 115 mm behind the heating and ventilation unit cover and 115 mm from the top edge of the carpet. The top edge of the mounting should be parallel with the top edge of the carpet. Mark the drill hole positions.
- 2 **LHD:** Fold out the carpet from the right-hand side of the centre console.
RHD: Fold out the carpet from the left-hand side of the centre console.
- 3 Drill the holes using a 5.5 mm bit as per the three markings.
- 4 Fit the mounting for the wastebasket using the three bolts and the three clip nuts on the rear of the side trim.
- 5 Fit the carpet.
- 6 Give the installation instructions to the customer and make him or her aware of the user instructions.

User instructions

The uses for the wastebasket can include holding drinks in the form of cans and small bottles as well as for CD discs, but if it is to be used for rubbish then a suitable bag should be used as an insert to facilitate emptying.

Important

The maximum load on the wastebasket is 0.5 kg.

The wastebasket can also be located in other positions as required, but this is the position recommended by Saab Automobile AB.

WARNING

The wastebasket must not be positioned so that impact safety and road safety is jeopardised.