

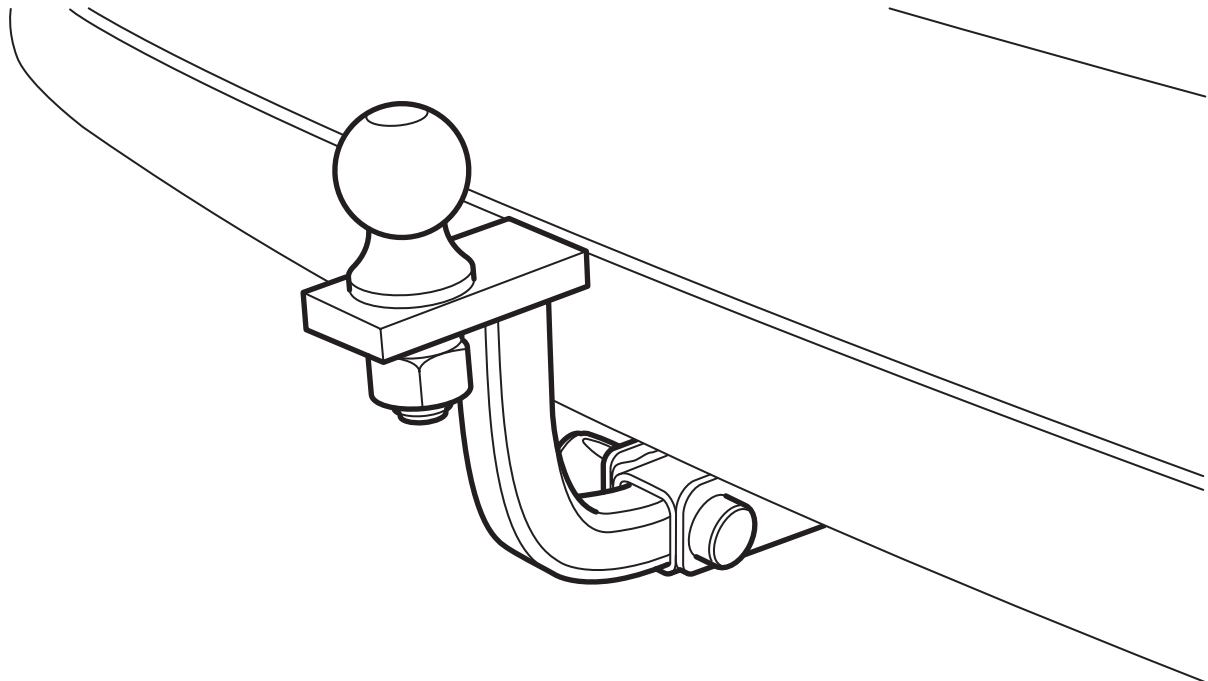


**MONTERINGSANVISNING · INSTALLATION INSTRUCTIONS
MONTAGEANLEITUNG · INSTRUCTIONS DE MONTAGE**

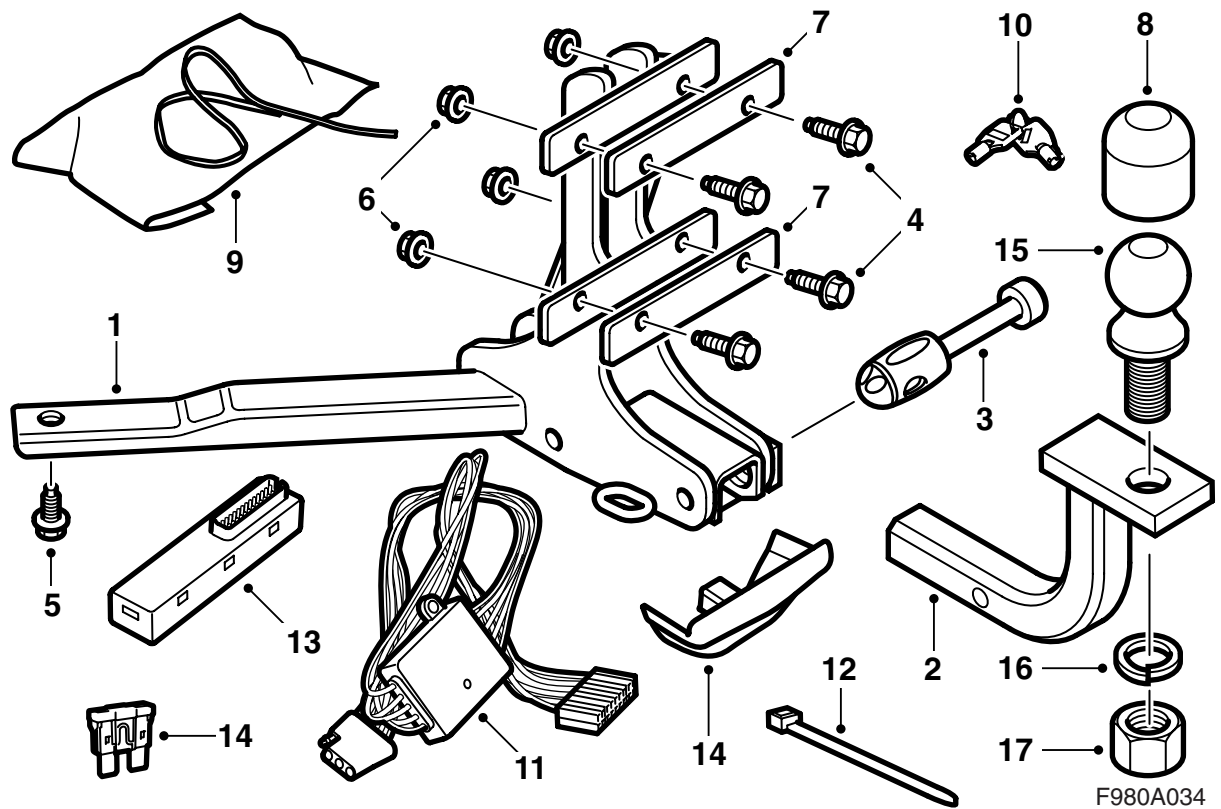
Saab 9-3 4D/CV M03-

Towbar

Accessories Part No.	Group	Date	Instruction Part No.	Replaces
12 804 703 32 026 048	9:86-04	Oct 07	12 797 883	Jun 07



F980A033



- 1 Body bracket
- 2 Ball mounting
- 3 Locking pin
- 4 Bolt (x4)
- 5 Screw (x2)
- 6 Nut (x4)
- 7 Reinforcement plate (x2)
- 8 Ball cap
- 9 Storage bag
- 10 Key (x2)
- 11 Wiring harness with diode box
- 12 Cable tie (x4)
- 13 Electronic module
- 14 Cover (purchased separately)
- 15 Ball
- 16 Spring washer
- 17 Nut

Note

Always check national legislation and regulations regarding mounting a towing bracket. Ensure that all requirements are complied with.

The towing bracket was designed and tested in accordance with standard V-5 Class 2.

Maximum permitted trailer weight:

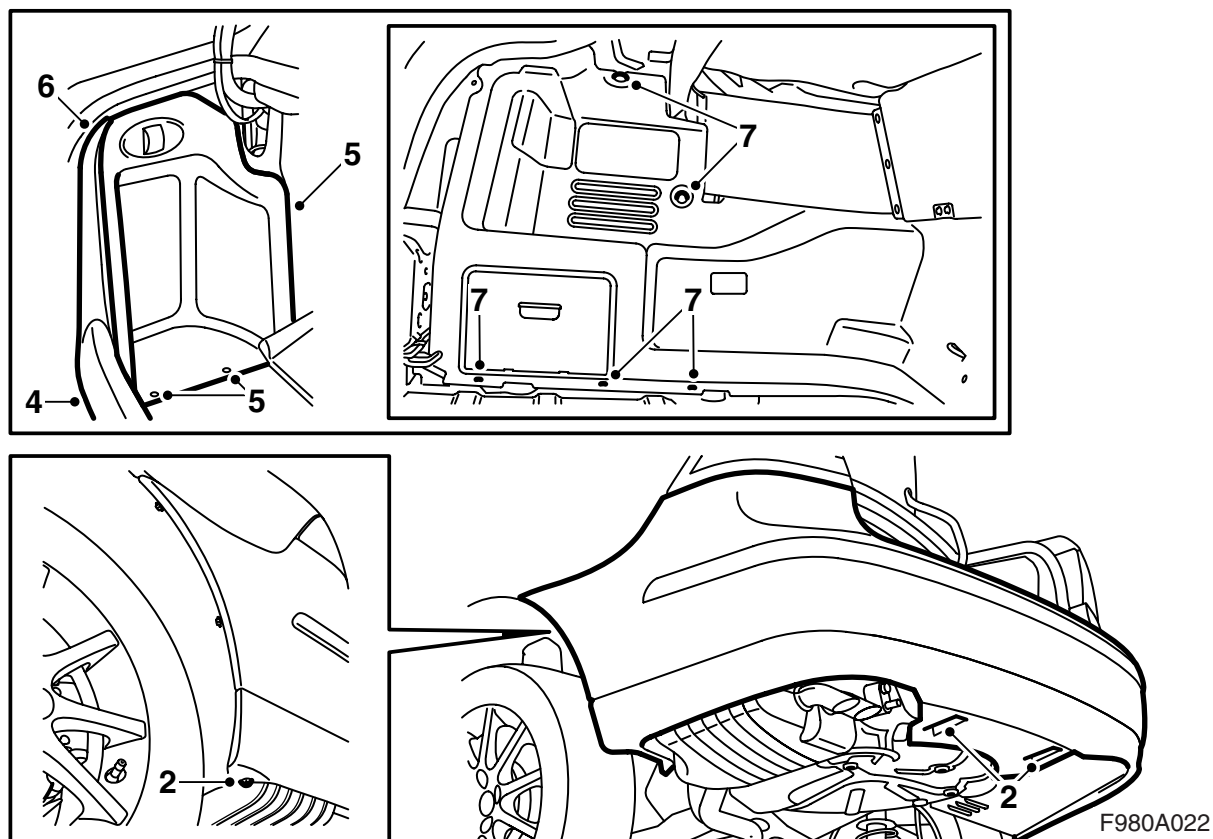
Trailer with brake: 3500 lbs (1587 kg)

Trailer without brake: 1000 lbs (455 kg)

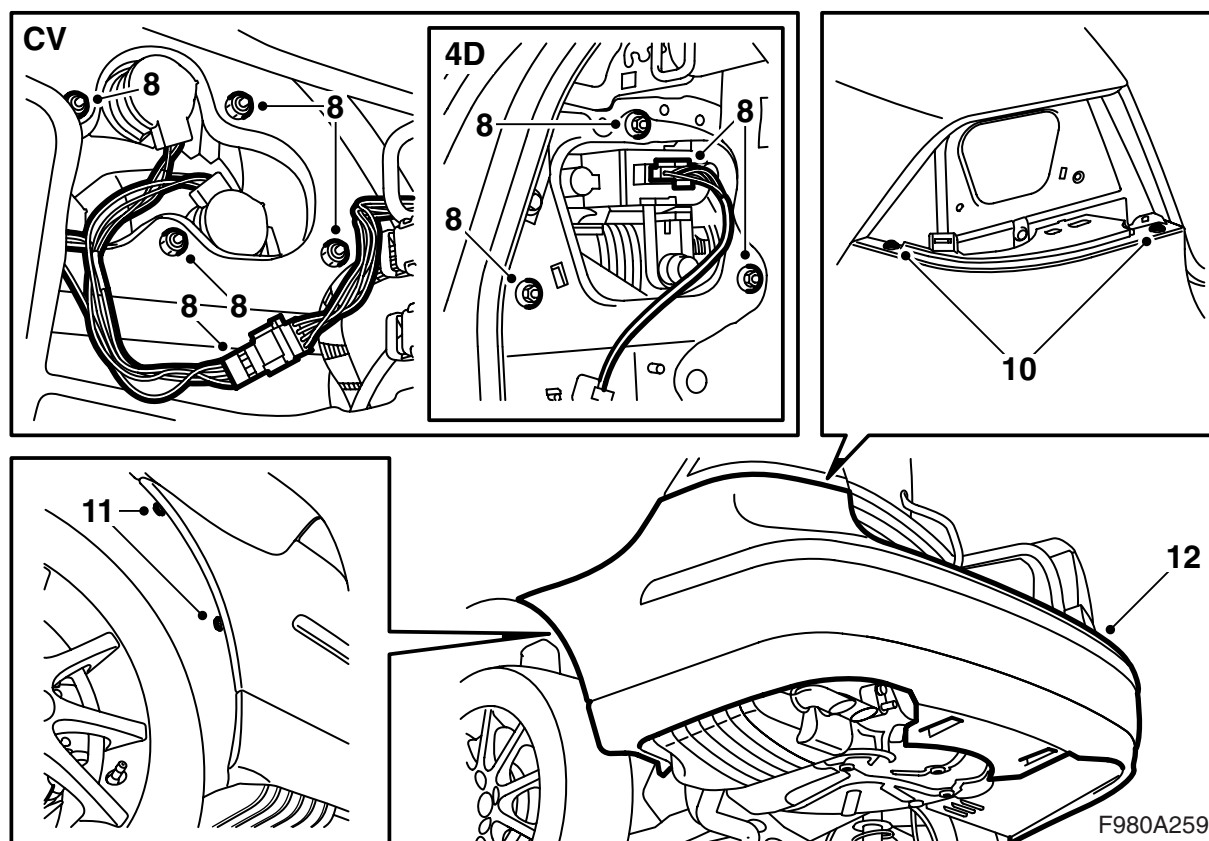
Max. permissible ball pressure: 165 lbs (75 kg)

Important

The wiring harness must be connected following the description in these installation instructions. This is a requirement. If the wiring harness is connected in any other way, it could negatively affect the car's electrical system.

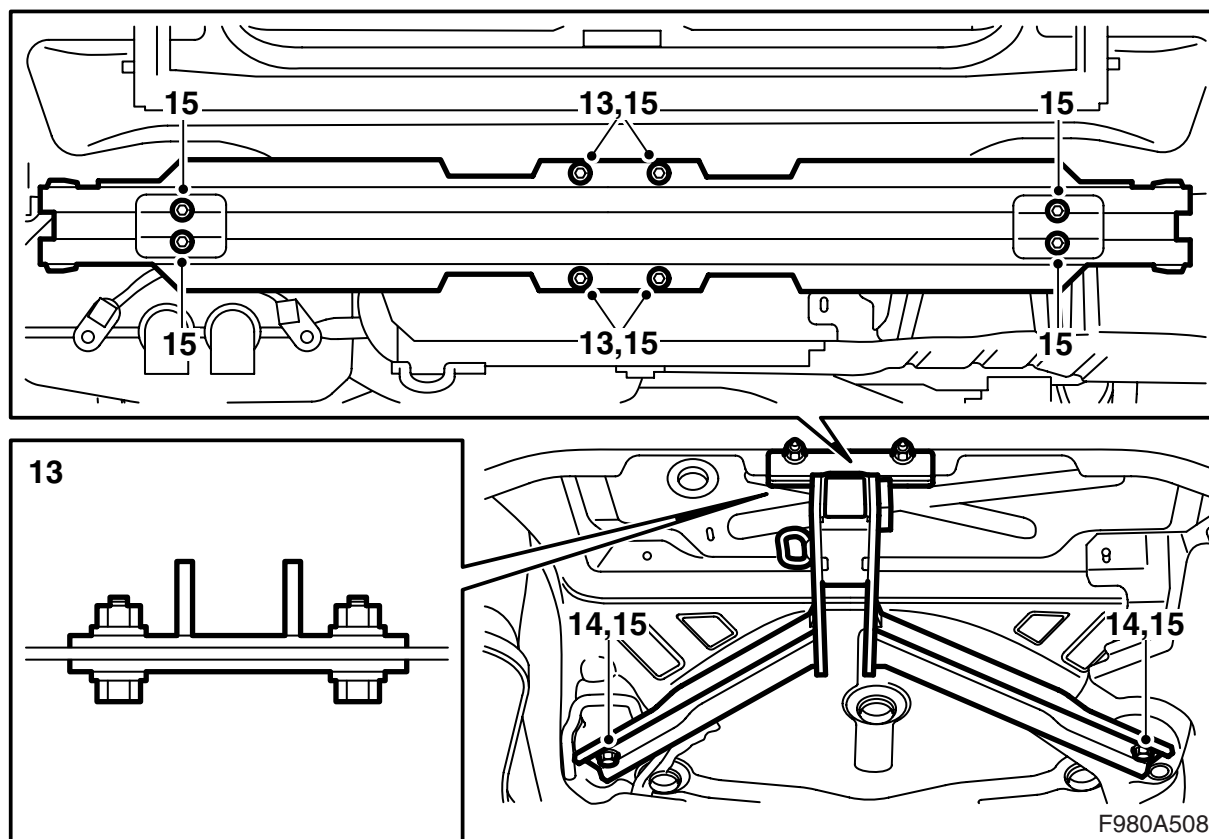


- 1 Raise the car.
- 2 Remove the two nuts holding the rear bumper air shield against the body and the two bolts holding the bumper shell against the wheel housings.
- 3 Lower the car and open the boot lid.
CV: Remove the carpet on the luggage compartment floor.
- 4 Remove the luggage compartment scuff plate.
- 5 **4D:** Remove the hatch in the luggage compartment left-hand side trim and lower the hatch on the right-hand side.
- 6 Remove the side scuff plate on the left-hand side.
- 7 Remove the clips for the left-hand side trim and fold the trim aside.
CV: Unhook the strap on the rear side of the side trim and remove the connector from the luggage compartment lighting. Remove the side trim.



F980A259

- 8 Remove the rear lamp clusters.
- 9 **SPA:** Unplug the connector.
- 10 Remove the bumper shell bolts that are located below the rear lamp clusters.
- 11 Remove the bumper bolts at the wheel housings.
- 12 Remove the bumper shell by pulling the sides outwards and then pulling the bumper shell rearwards.

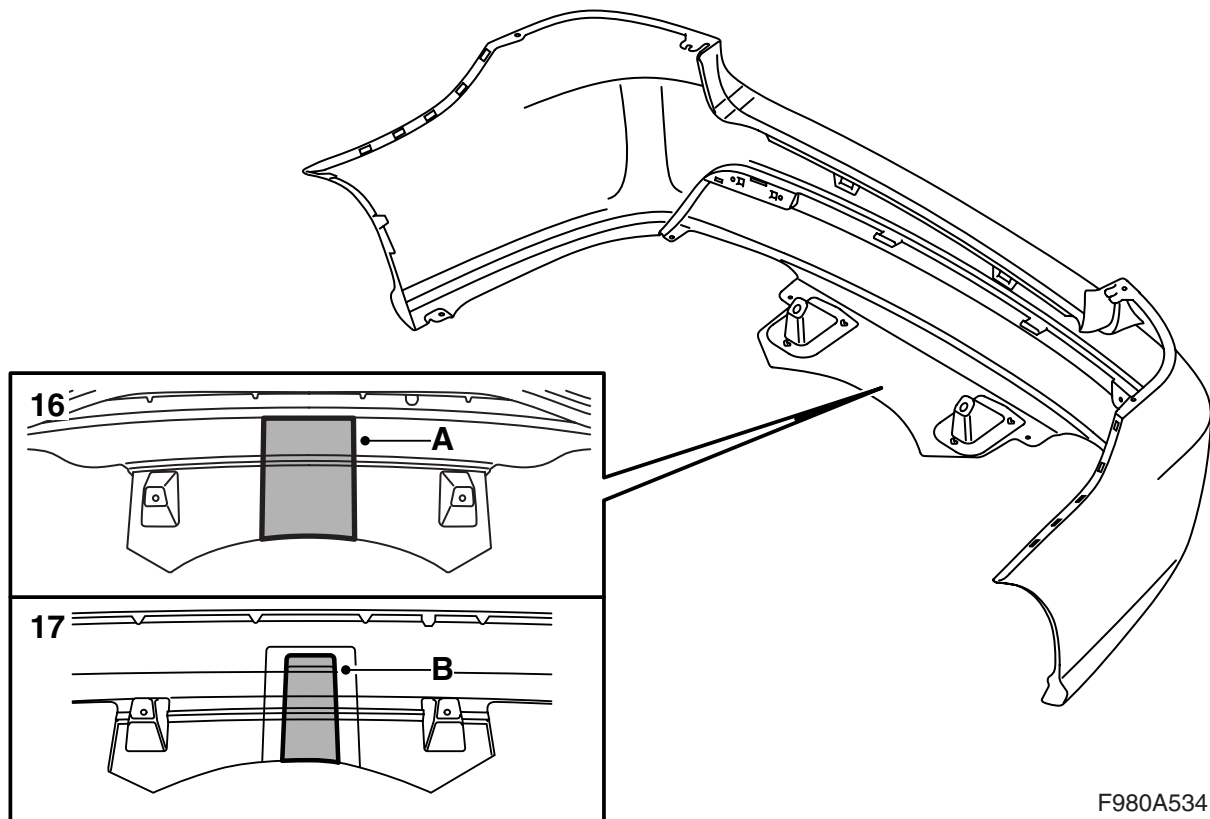


- 13 Mount the towing bracket using bolts and nuts together with the reinforcements in the four bumper member holes and raise the car.
- 14 Fasten the towing bracket in the floor under the spare wheel well.
- 15 Tighten the bumper member mountings against the body as well as the screws, bolts and nuts holding the towing bracket against the bumper member and floor.

Tightening torque, bumper member against body 50 Nm (37 lbf ft)

Tightening torque, towing bracket against bumper member 50 Nm (37 lbf ft)

Tightening torque, towing bracket against floor 50 Nm (37 lbf ft)



F980A534

16 M03-07, cars without bumper skirt

Cut/saw from the inside of the bumper, inside the reinforcement ribs in accordance with the marking (A).

WARNING

Use of a saw and knife entails a risk of injury. Exercise caution when cutting. Check that the bumper shell is stably positioned before beginning to cut. Use personal protection equipment, such as protective gloves, safety goggles and hearing protection.

Note

The cut-out may need to be adapted to the towbar after fitting. Check that there is a small amount of play between towbar and bumper.

17 M03-07, cars with bumper skirt

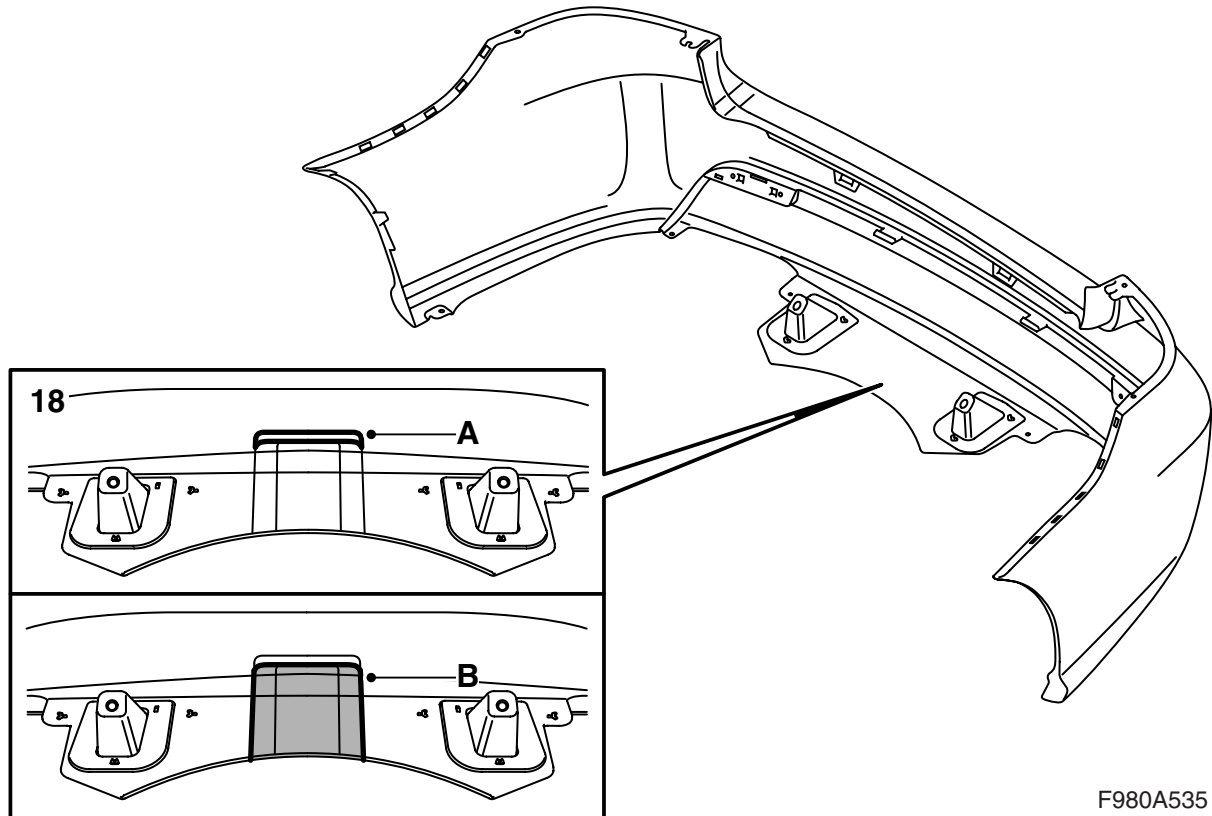
Cut/saw from the inside of the bumper, inside the reinforcement ribs in accordance with the marking (B).

WARNING

Use of a saw and knife entails a risk of injury. Exercise caution when cutting. Check that the bumper shell is stably positioned before beginning to cut. Use personal protection equipment, such as protective gloves, safety goggles and hearing protection.

Note

The cut-out may need to be adapted to the towbar after fitting. Check that there is a small amount of play between towbar and bumper.



F980A535

18 M08, cars without bumper skirt:

18.1 Print out template 1 and cut out the template.

Important

Check that the size of the template corresponds with the specified dimensions after printing it out.

Create your own template if it is not possible to make the printout correspond with the specified dimensions.

18.2 Position template 1 (A) on the inside of the bumper shell against the upper marking and draw around the lower edge of the template.

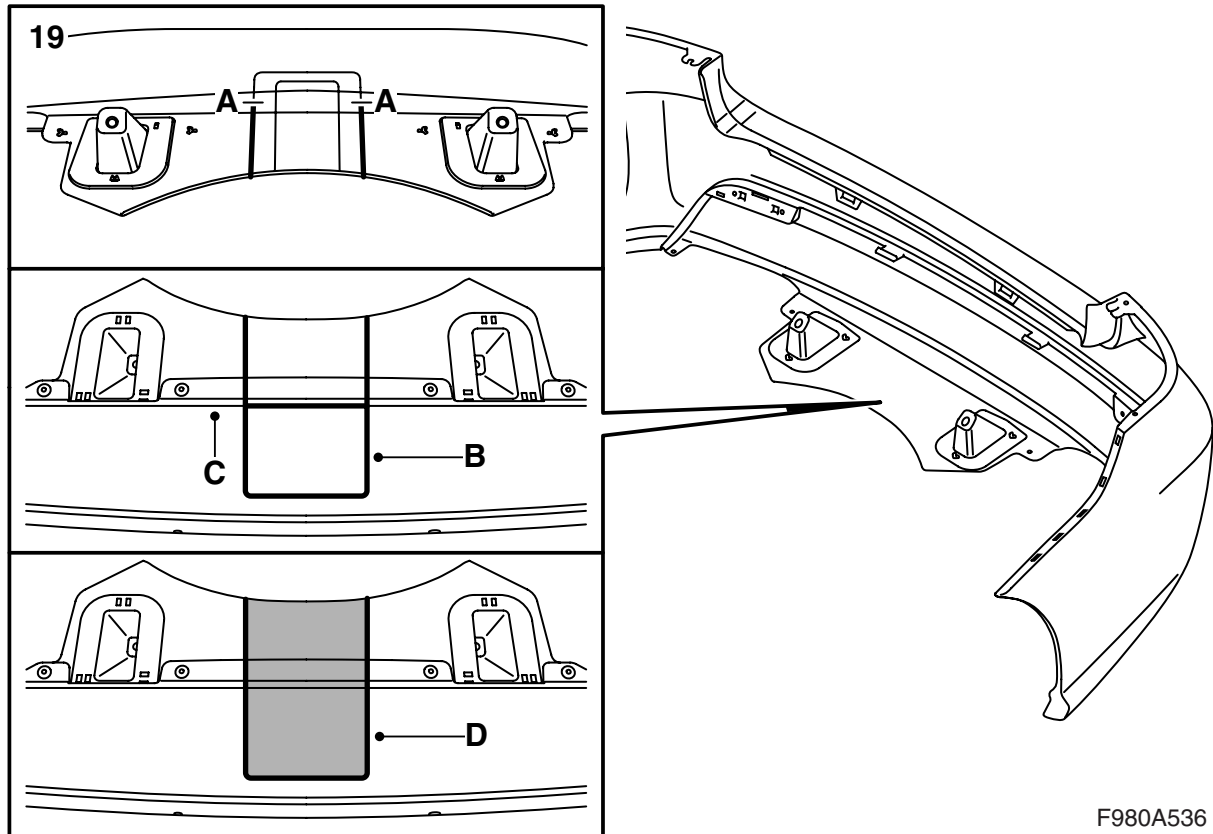
18.3 Cut/saw from the inside of the bumper shell (B).

WARNING

Use of a saw and knife entails a risk of injury. Exercise caution when cutting. Check that the bumper shell is stably positioned before beginning to cut. Use personal protection equipment, such as protective gloves, safety goggles and hearing protection.

Note

The cut-out may need to be adapted to the towbar after fitting. Check that there is a small amount of play between towbar and bumper.



F980A536

19 M08, cars with bumper skirt:

19.1 Print out template 2 and cut out the template.

Important

Check that the size of the template corresponds with the specified dimensions after printing it out.

Create your own template if it is not possible to make the printout correspond with the specified dimensions.

19.2 Saw from the inside of the bumper in accordance with the outer markings up to (A).

19.3 Turn the bumper over.

19.4 Position template 2 (B) on the outside of the bumper skirt against the edge (C). Centre between the sawn grooves and draw around the template.

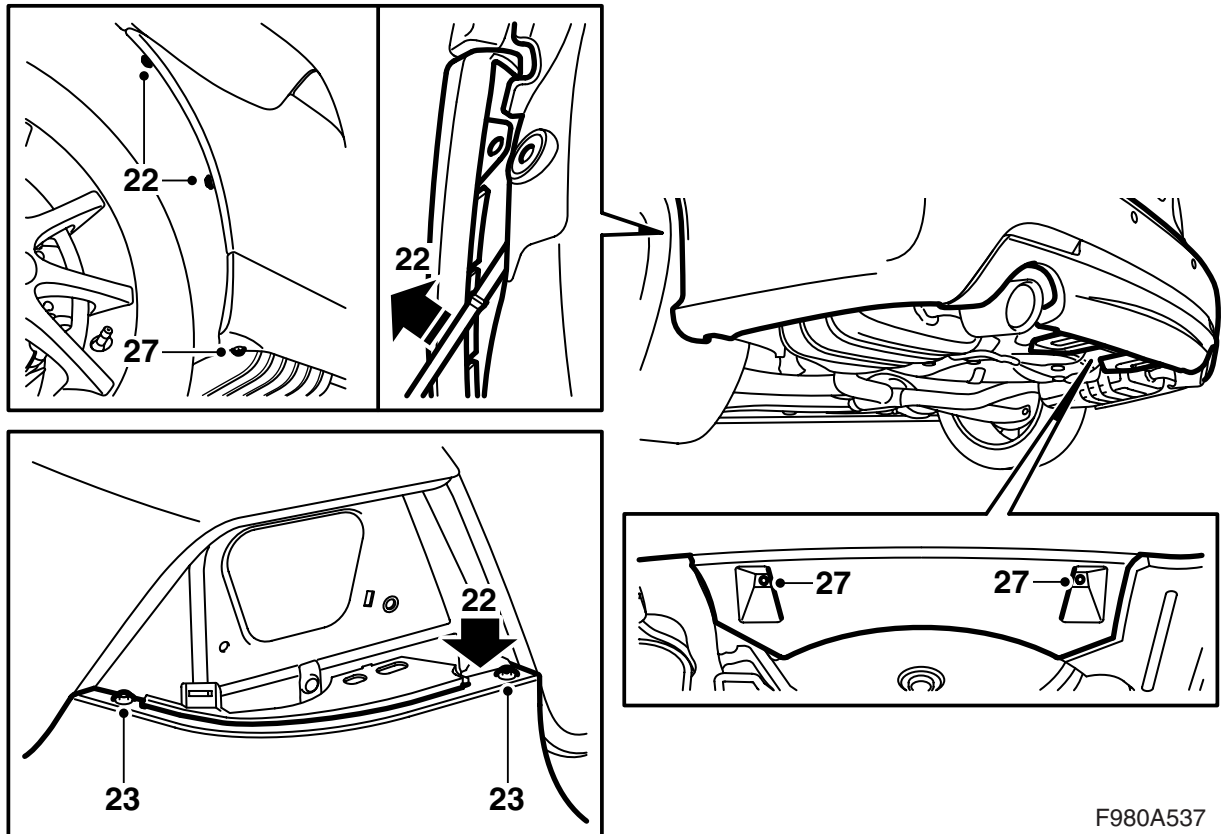
19.5 Saw from the outside of the bumper skirt in accordance with the marking (D).

WARNING

Use of a saw and knife entails a risk of injury. Exercise caution when cutting. Check that the bumper shell is stably positioned before beginning to cut. Use personal protection equipment, such as protective gloves, safety goggles and hearing protection.

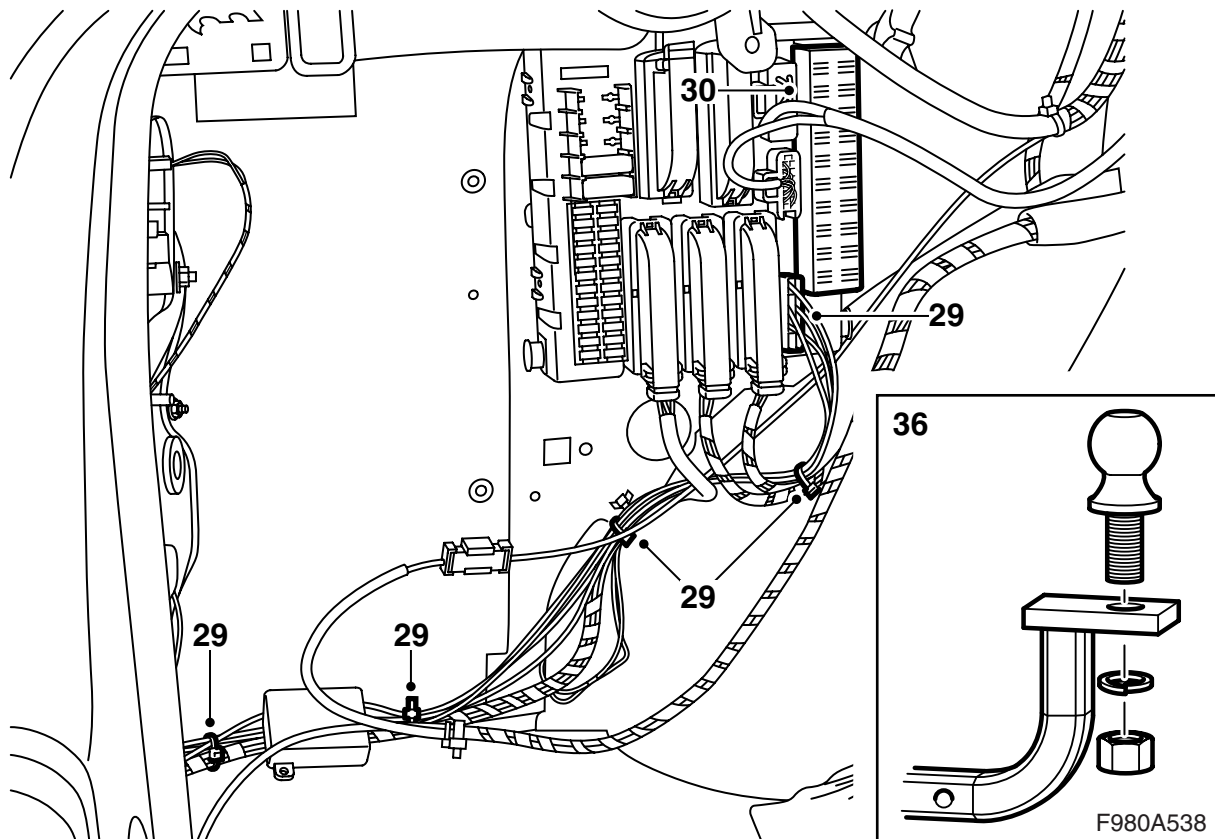
Note

The cut-out may need to be adapted to the towbar after fitting. Check that there is a small amount of play between towbar and bumper.



F980A537

- 20 Lower the car.
- 21 **SPA:** Insert and plug in the connector.
- 22 Fit the two tabs of the bumper shell under the holes and the outer corners between the wheel arch liner and the holder at the wheel housings. Press the bumper shell into place.
- 23 Fit the bumper shell bolts that are located below the rear lamp clusters.
- 24 Fit the bumper bolts at the wheel housings.
- 25 Fit and connect the rear lamp clusters. Check the fit against the boot lid moulding.
- 26 Raise the car.
- 27 Fit the two nuts holding the rear bumper air shield against the body and the two bolts holding the bumper shell against the wheel housings.
- 4D:** Continue with step 28.
- CV:** Continue with step 39.

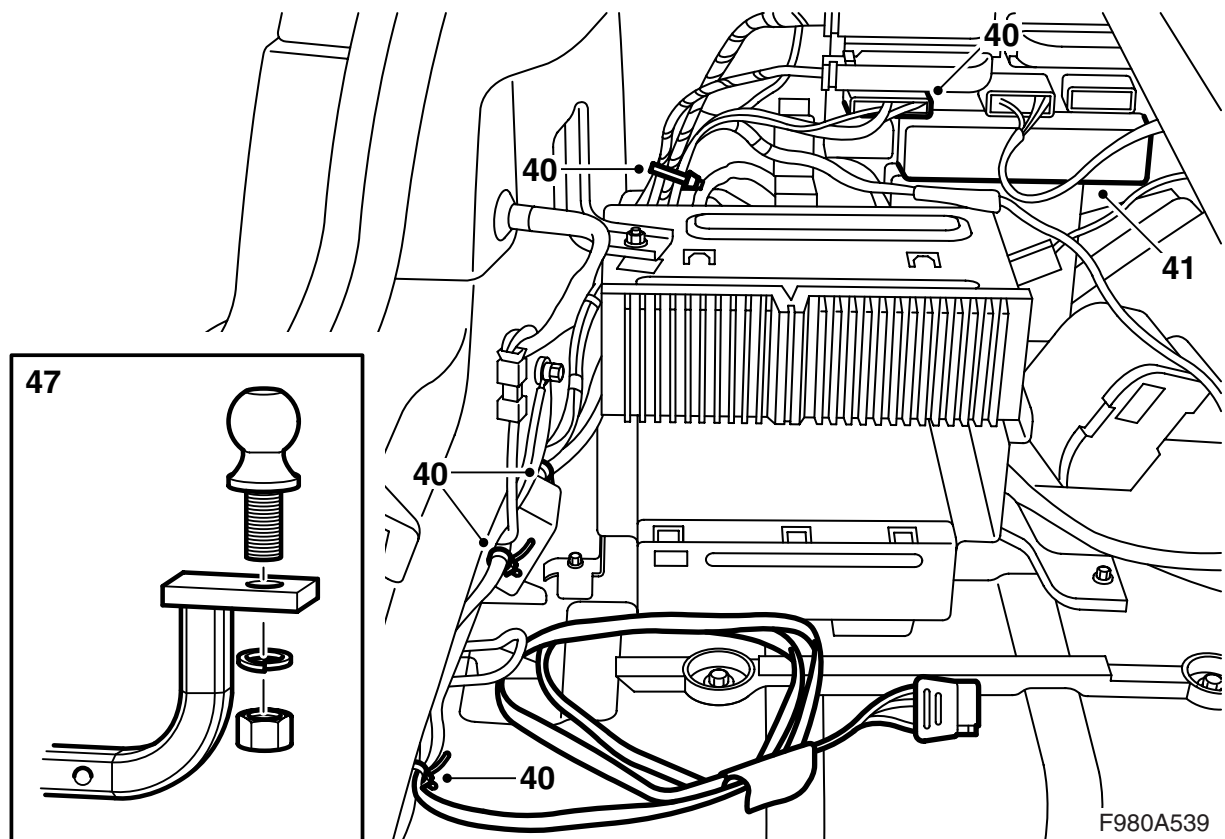
**4D**

- 28 Lower the car and run the wiring harness along the other wiring harnesses towards the left-hand side of the car and to the rear electrical distribution.
- 29 Plug the wiring harness connector into the rear electrical distribution box and secure the wiring harness with 4 cable ties.
- 30 Fit the kit's electronic module in the rear electrical distribution box.
- 31 Fit the left-hand side trim.
- 32 Fit the side scuff plate on the left-hand side.
- 33 Fit the scuff plate.
- 34 Fit the hatches in the side trims of the luggage compartment.
- 35 Fit the ball mounting, see "User instructions".
- 36 Fit the ball to the mounting.

Tightening torque 180 Nm (133 lbf ft)

- 37 Check the fit of the bumper. Adjust as necessary.

- 38 Carefully remove the page regarding fitting and removing the ball unit and give it to the customer together with the installation instructions.



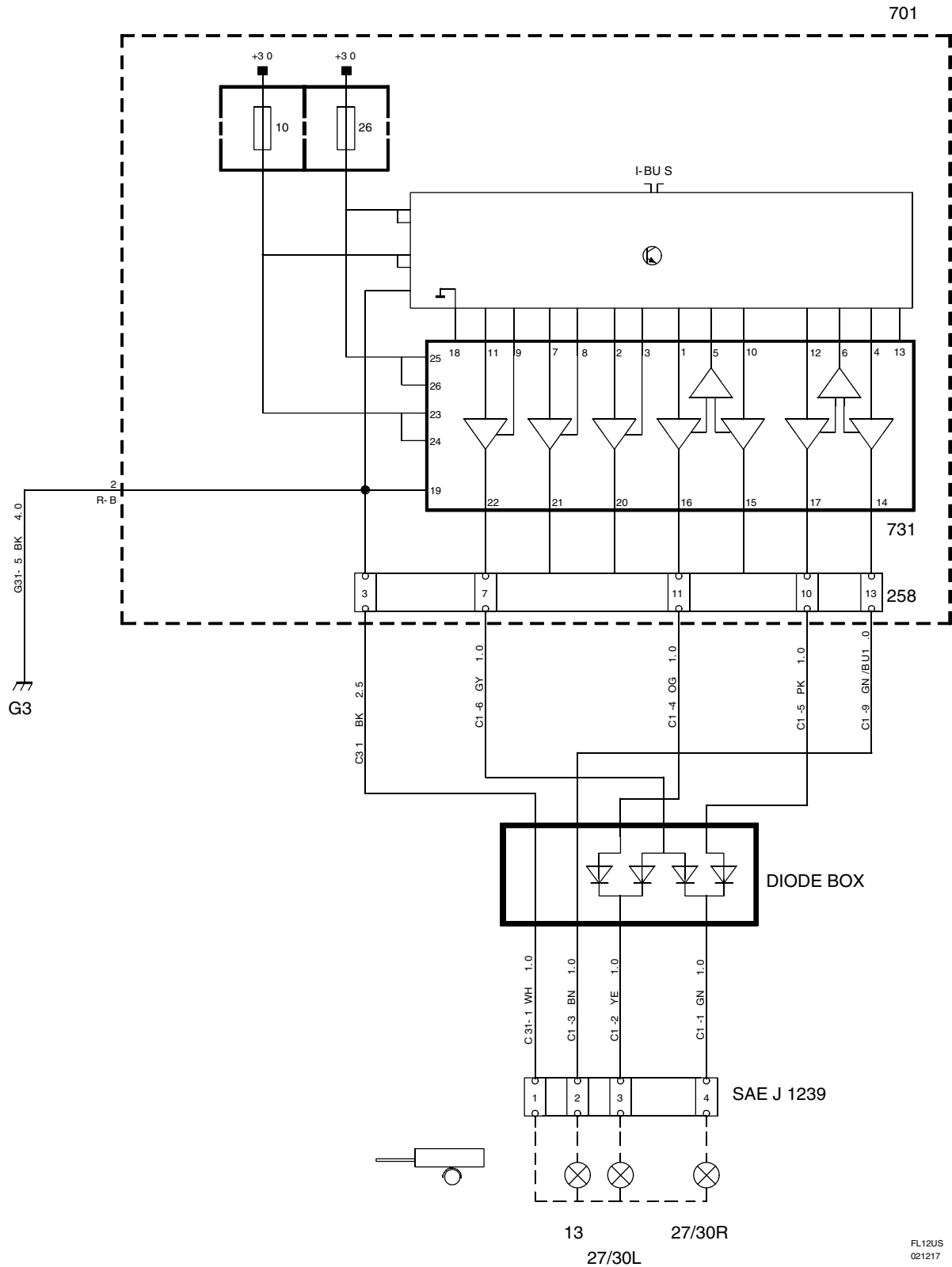
CV

- 39 Lower the car and run the wiring harness along the other wiring harnesses towards the left-hand side of the car and to the rear electrical distribution.
- 40 Plug the wiring harness connector into the rear electrical distribution box and secure the wiring harness with 4 cable ties.
- 41 Fit the kit's electronic module in the rear electrical distribution box.
- 42 Fit the left-hand side trim. Connect the luggage compartment lighting and hook the strap on.
- 43 Fit the side scuff plate on the left-hand side.
- 44 Fit the scuff plate.
- 45 Fit the carpet on the luggage compartment floor.
- 46 Fit the ball mounting, see "User instructions".
- 47 Fit the ball to the mounting.

Tightening torque 180 Nm (133 lbf ft)

- 48 Check the fit of the bumper. Adjust as necessary.
- 49 Carefully remove the page regarding fitting and removing the ball unit and give it to the customer together with the installation instructions.

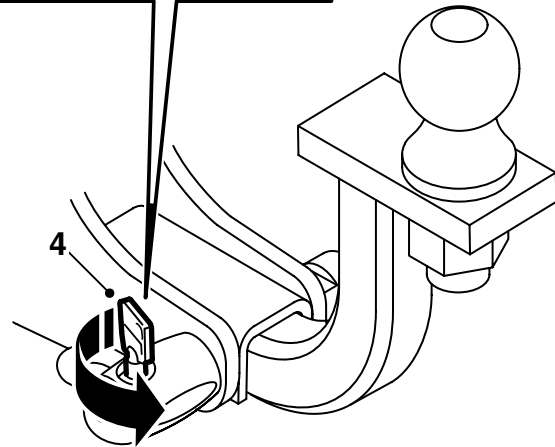
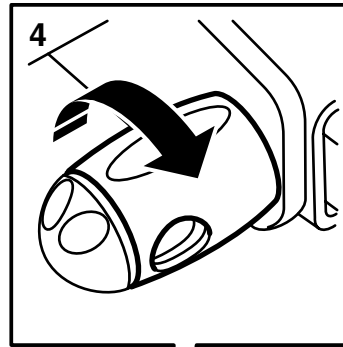
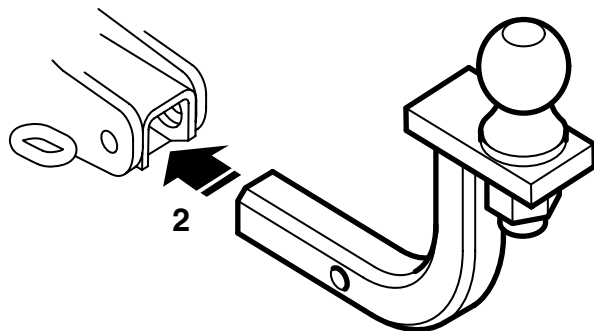
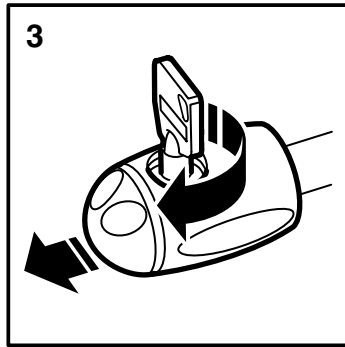
Wiring diagram



FL12US
021217

List of components

No.	Name position
Components	
13	Lamp, parking light, trailer
27/30	Lamp, direction indicators/brake lights, trailer
258	Connector, towbar wiring harness, in the luggage compartment electrical distri- bution unit
701	Luggage compartment electrical distribution unit, on the wall behind the left-hand rear wheel housing
731	Trailer control module, in the luggage compartment electrical distri- bution unit
Grounding points	
G3	In the luggage compartment below the left- hand light cluster



F980A038

User instructions
(keep in the car's Owner's Manual)

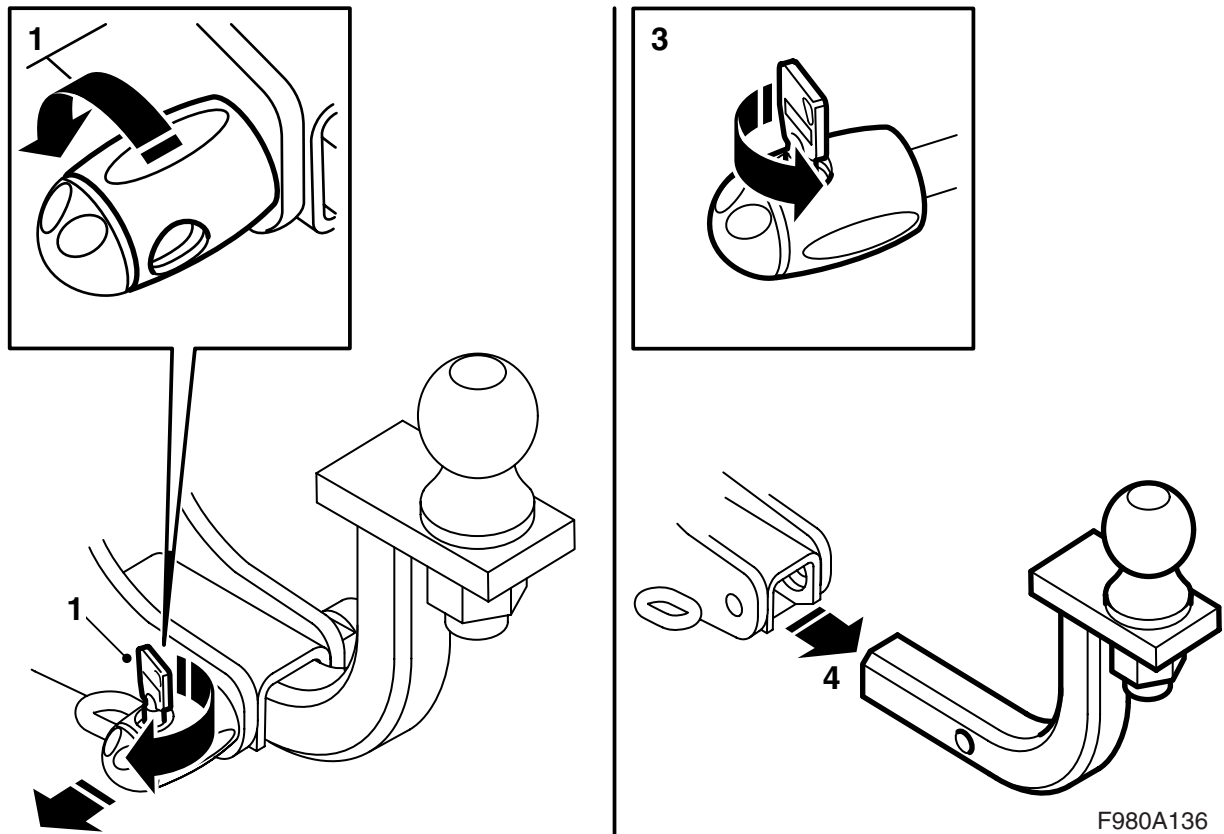
⚠ WARNING

To ensure that the towbar is coupled **correctly and safely**:

- The coupling mechanism must **always** be kept well lubricated. Contact your nearest Saab dealer regarding a suitable grease.
- **Always** fit the protective cover when the towball unit is not attached.
- It must **always** be possible to detach and attach the towball unit without it jamming.

To attach the towball unit

- 1 Remove the cover.
- 2 Fit the ball unit.
- 3 Insert the key in the pin's lock, turn it clockwise and remove the pin's lock.
- 4 Insert the pin into the towing bracket hole and fit the lock to the pin. Turn the key anticlockwise to lock the pin and then remove the key. Turn the lock sleeve to hide and protect the lock.



To detach the towball unit

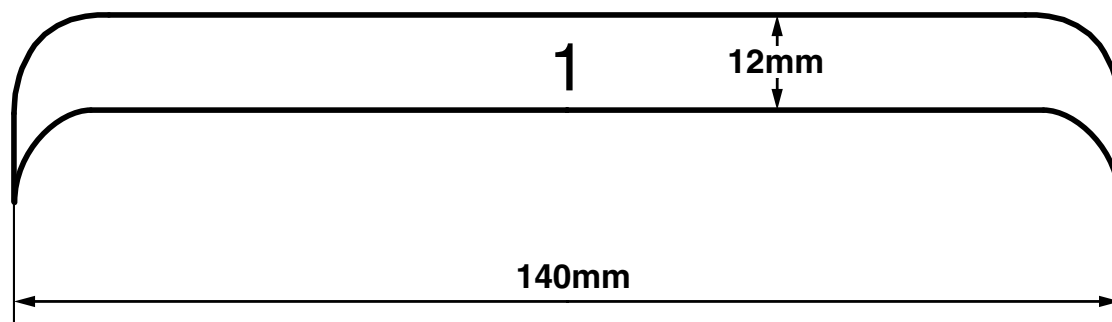
- 1 Turn the sleeve to access the lock. Insert the key, turn it clockwise and remove the pin's lock.
- 2 Pull out the pin.
- 3 Fit the lock on the pin, turn the key anticlockwise and remove it.
- 4 Remove the ball unit.
- 5 Fit the cover.

When the towbar is not in use, the wiring harness must be stored in the following location:

4D: Behind the hatch in the left-hand side trim.

CV: Beside the spare wheel in the spare wheel well.

Template 1



F980A514

Template 2

