

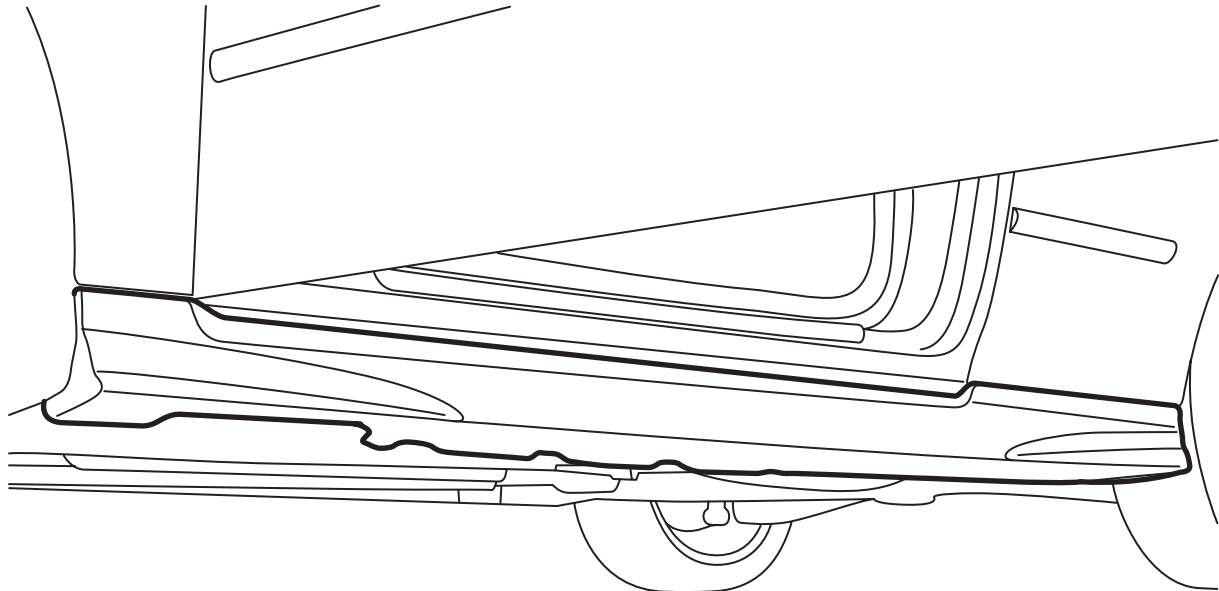


**MONTERINGSANVISNING · INSTALLATION INSTRUCTIONS
MONTAGEANLEITUNG · INSTRUCTIONS DE MONTAGE**

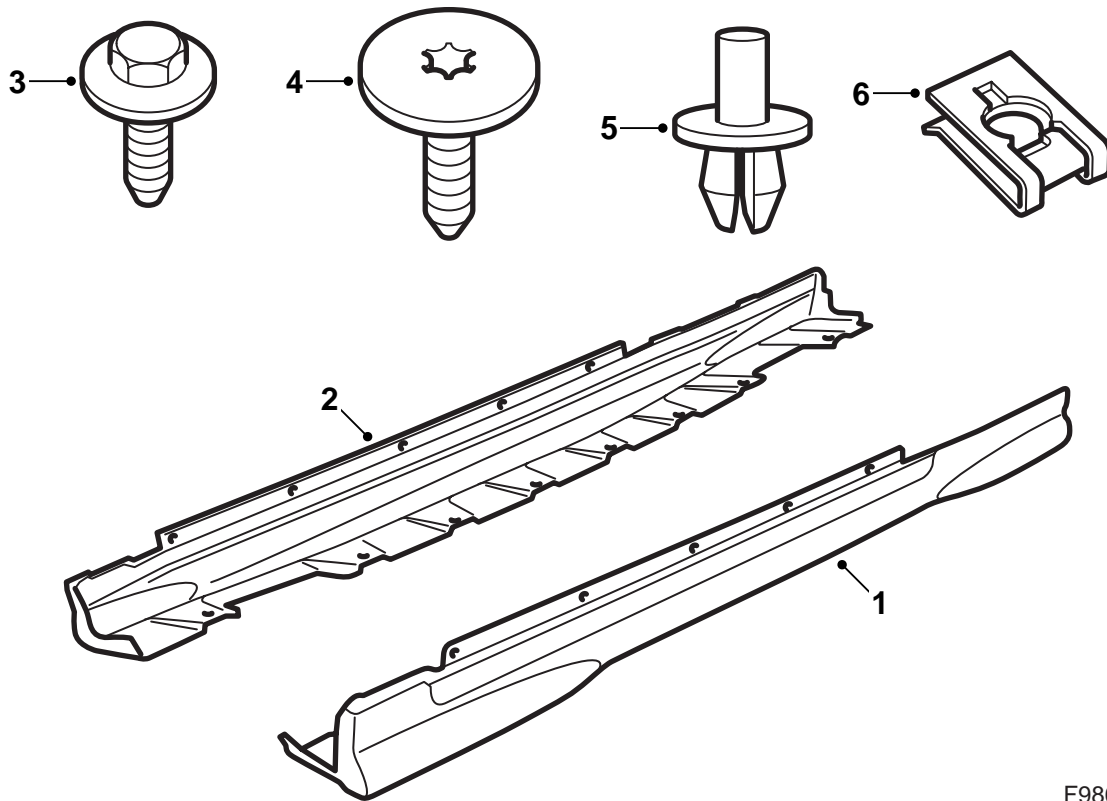
Saab 9-3 CV M04-

Sill covers

Accessories Part No.	Group	Date	Instruction Part No.	Replaces
12 805 377	9:84-31	Sep 03	12 805 381	

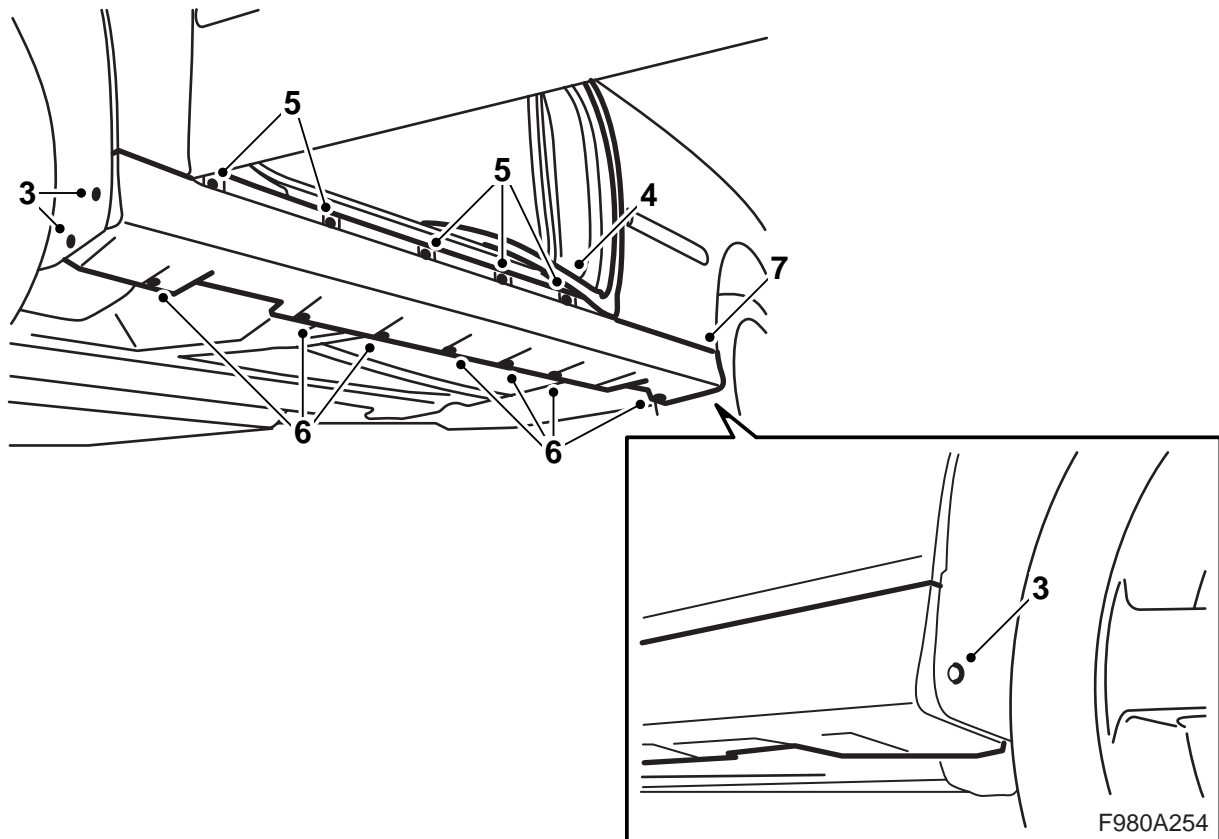


F980A252



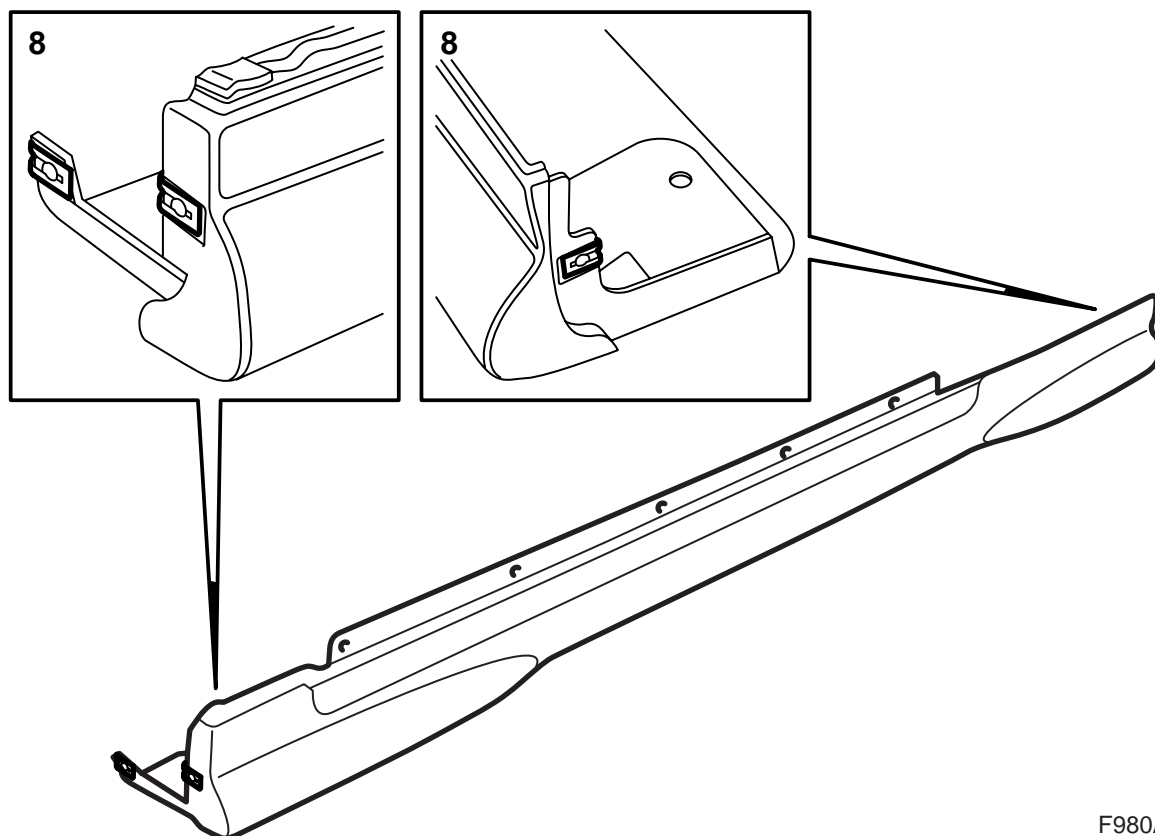
F980A253

- 1 Sill cover L
- 2 Sill cover R
- 3 Screw with washer (x6)
- 4 Bolt (x10)
- 5 Plastic rivet (x16)
- 6 Clip nut (x6)



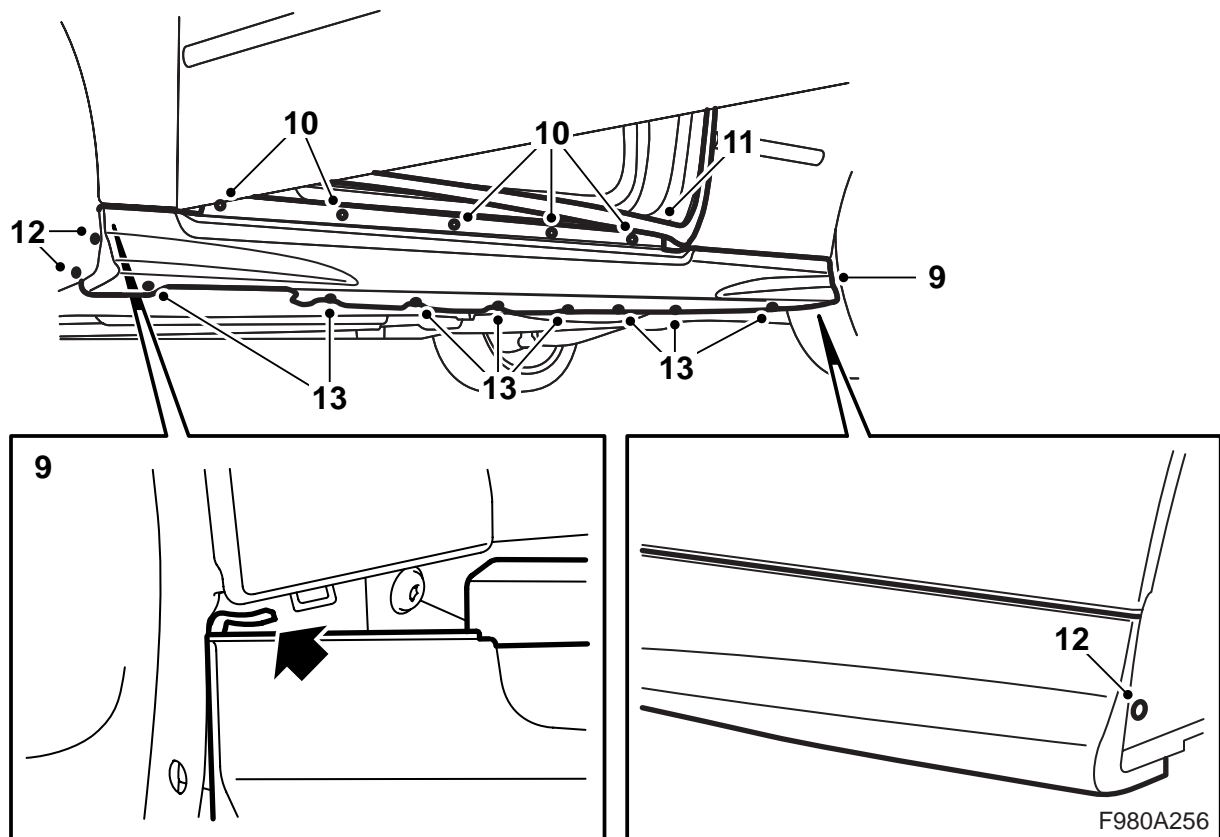
The sill covers have been treated with grey primer and are ready for painting.

- 1 Paint the sill covers the same colour as the body; see "Directions for painting preprimed PP/EPDM plastic" in these installation instructions.
- 2 Open the doors and raise the car.
- 3 Remove the screws at the wheel housings on the left-hand side of the car.
- 4 Remove the scuff plate rubber moulding from the scuff plate, but only far enough for the five screws to be visible.
- 5 Remove the scuff plate screws behind the rubber moulding.
- 6 Remove the plastic rivets by pressing in the centre pin.
- 7 Remove the scuff plate by loosening the rear edge and pressing it forward so it releases from the front wing. Gather the clip centre pins.



F980A255

8 Fit the clip nuts in the front and rear edges of the sill covers.



- 9 Pull out the front plastic wheel housing slightly at the rear edge, hook the sill cover securely into the front wing and press the sill cover securely at the back.

Important

The front edge of the rear plastic wheel housing must be bent out slightly.

- 10 Fit the screws in the sill.
 11 Press the rubber moulding securely onto the sill cover.
 12 Fit the sill cover screws at the wheel housings.
 13 Fit the plastic rivets and tap in the centre pins. Check the fit of the sill cover.
 14 Repeat steps 3-14 on the right-hand side of the car.
 15 Lower the car.

Directions for painting preprimed PP/ EPDM plastic

- Place the sill covers in such a way as they will not be distorted while painting.
- The temperature must not exceed +40 °C (104 °F).
- The sill covers are primed on delivery.
- Use clean gloves when handling the sill covers.

Drying times

70 minutes at 40 °C (104 °F).

Preparations

- Smooth off the primed surface thoroughly. Use abrasive paper 3M 1200 or 800.