

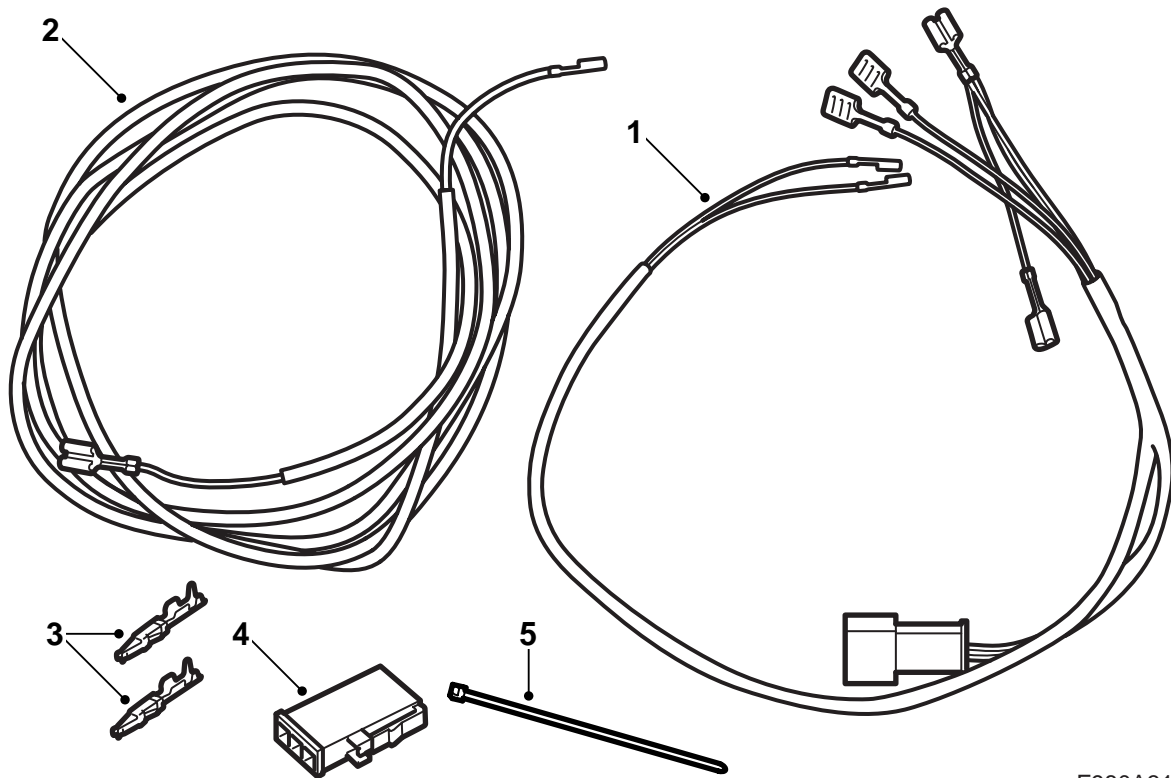


**MONTERINGSANVISNING · INSTALLATION INSTRUCTIONS  
MONTAGEANLEITUNG · INSTRUCTIONS DE MONTAGE**

## Saab 9-3 M03-

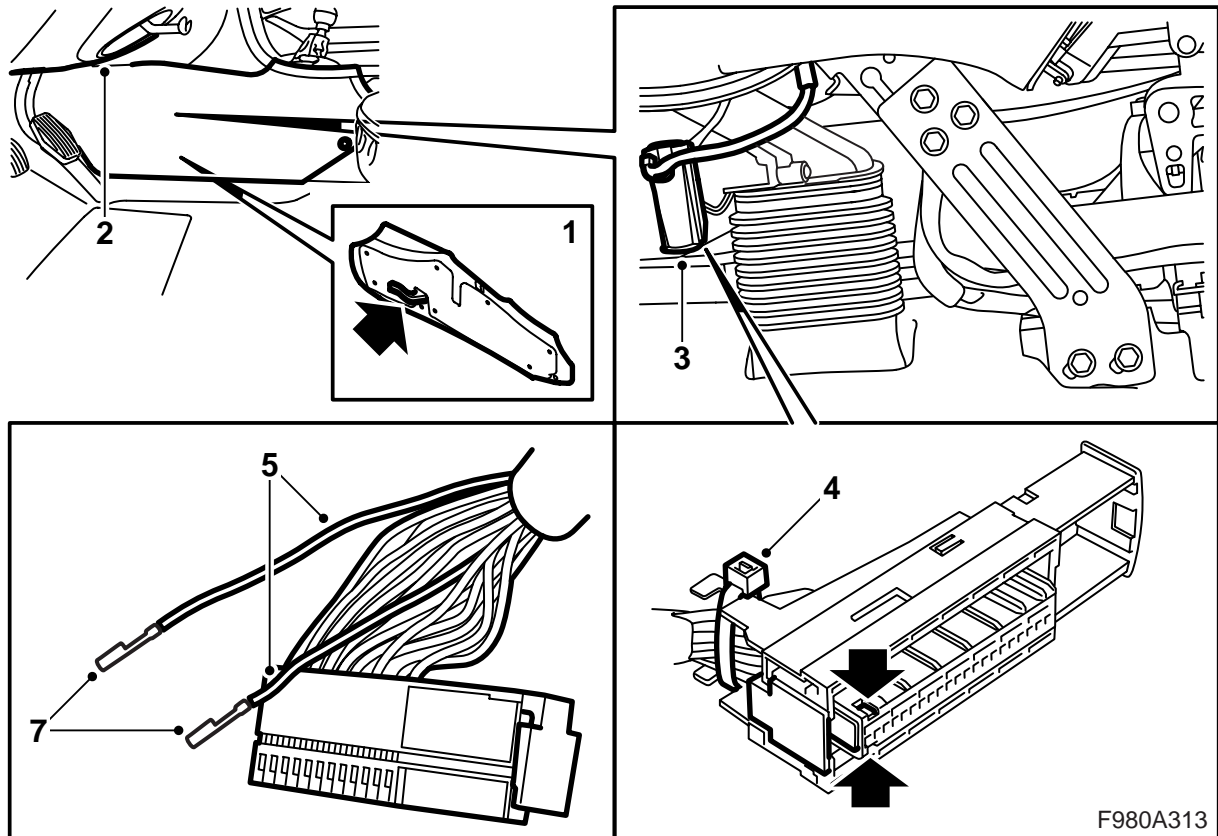
Wiring harness for operating relay, engine heater (cars with MCC)

Accessories Part No.	Group	Date	Instruction Part No.	Replaces
12 805 414	9:87-45	Oct 03	12 805 535	



F980A312

- 1 Wiring harness
- 2 Cable
- 3 Cable terminal (x2)
- 4 Connector, 3-pin
- 5 Cable tie (x10)



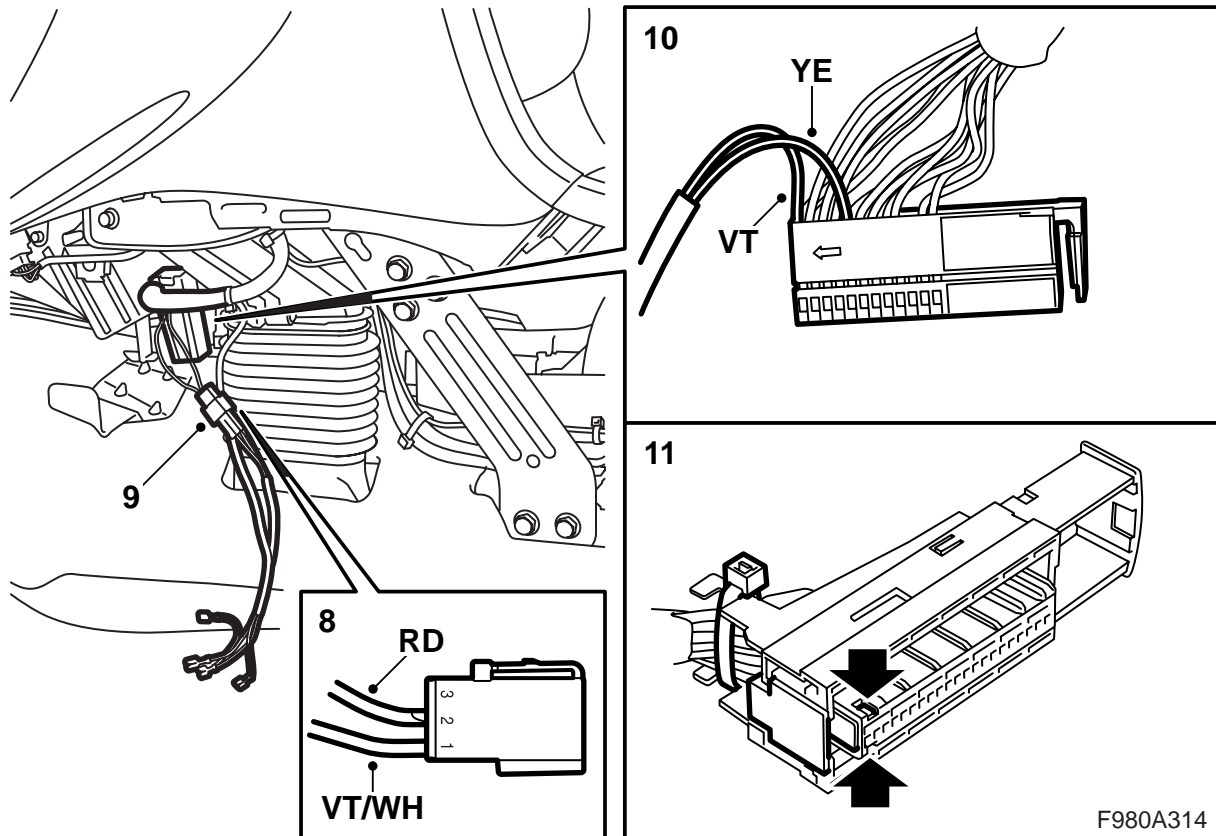
In order to perform this procedure, a cable stripper and cable terminal pliers are required from special tools "Repair kit, wiring harness" (part no. 86 12 079 or 86 12 939).

- 1 Remove the front floor console side pieces on the left-hand side.
- 2 Remove the lower section of the panel on the left-hand side.
- 3 Remove the connector from the heating and ventilation unit.
- 4 Cut off the cable tie securing the cables to the connector and remove the connector from the cover by pressing away the two hooks and pulling the connector out.
- 5 Remove the cables from the connector's positions 1 and 5 and cut off the cable terminals.
- 6 Open the tape 180-200 mm from the edge of the connector and guide the two cables out there.

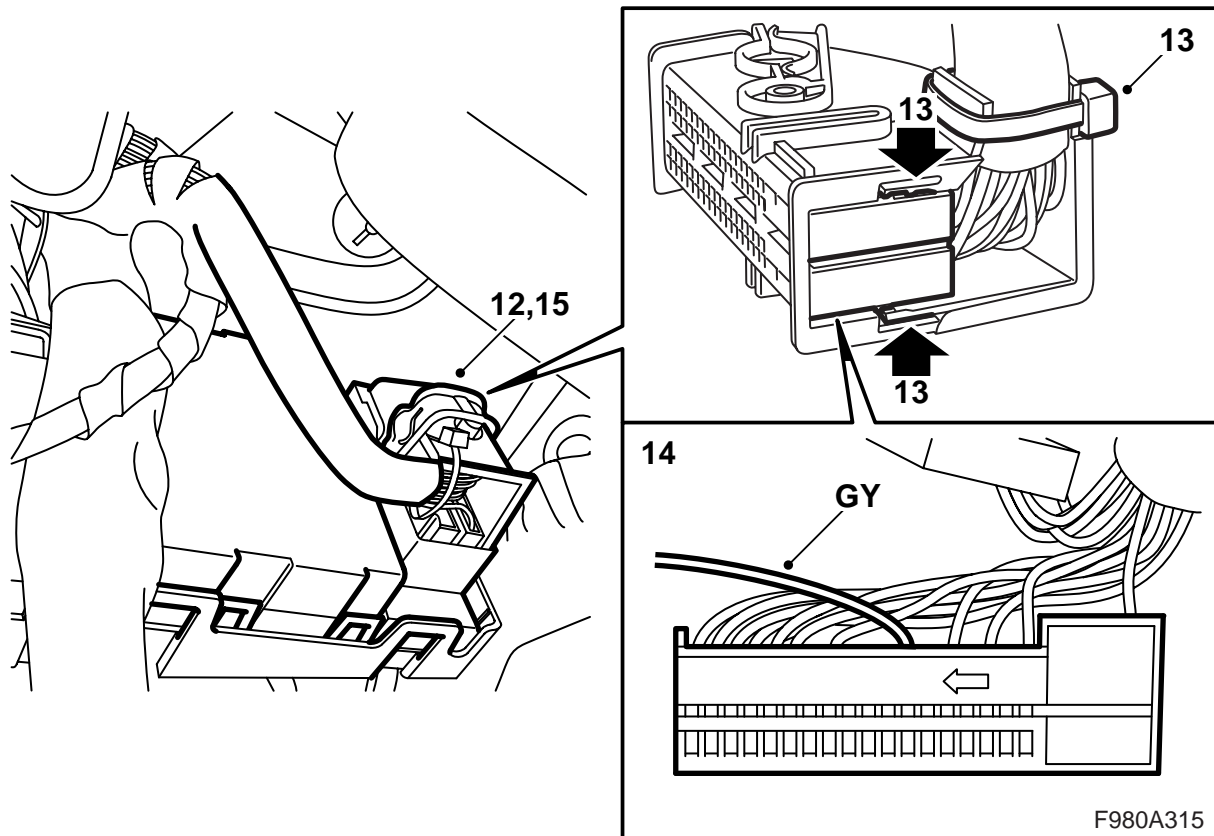
**⚠ WARNING**

Exercise caution so that the cables are not damaged as this may lead to a short circuit/fire.

- 7 Peel the end of both cables using the cable stripper and fit the kit's cable terminals using a crimp tool.

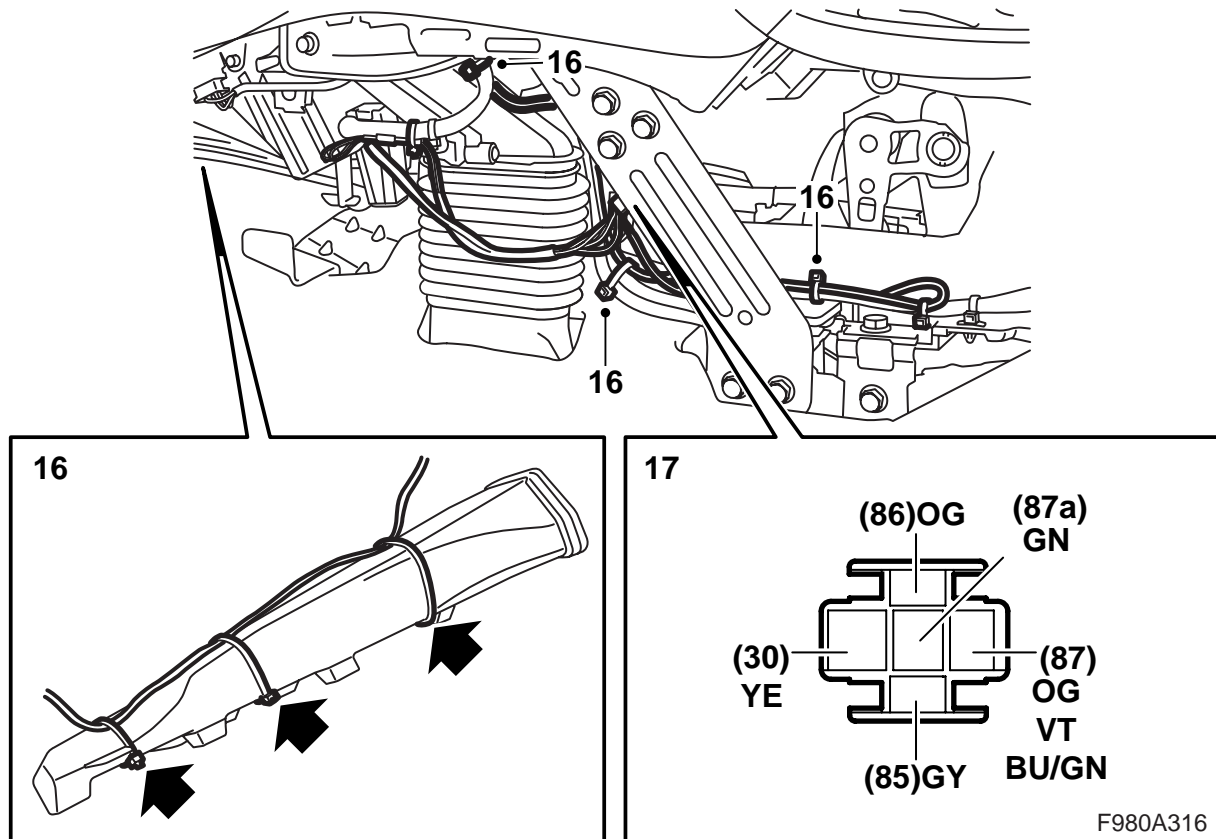


- 8 Fit violet/white (VT/WH) cable in position 1 in the kit's 3-pin connector and red (RD) cable in position 2 in the connector.
- 9 Plug the connector into the corresponding connector on the kit's wiring harness.
- 10 Fit violet (VT) cable from the kit's wiring harness in position 1 in the heating and ventilation unit connector and yellow (YE) cable in position 5 in the connector.
- 11 Fit the connector in the cover and plug in the heating and ventilation unit connector.



- 12 Remove the connectors from the control module, BCM.
- 13 Cut off the cable tie securing the wiring harness to the connectors and remove the connectors from the cover by pressing away the two hooks and pulling the connectors out.
- 14 Fit one end of the kit's grey (GY) cable in position 51 in the control module's brown connector.
- 15 Fit the connectors in the cover, fit a new cable tie around the wiring harness and plug in the connectors.

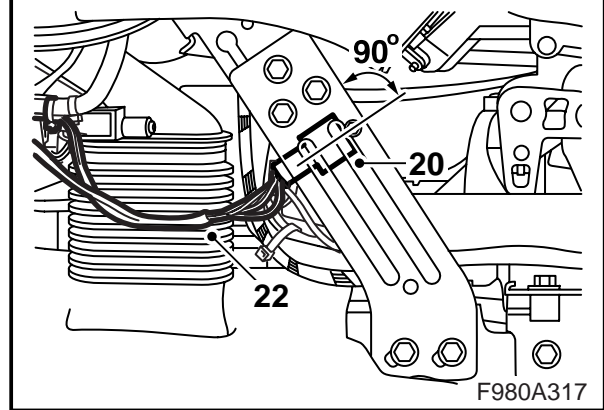
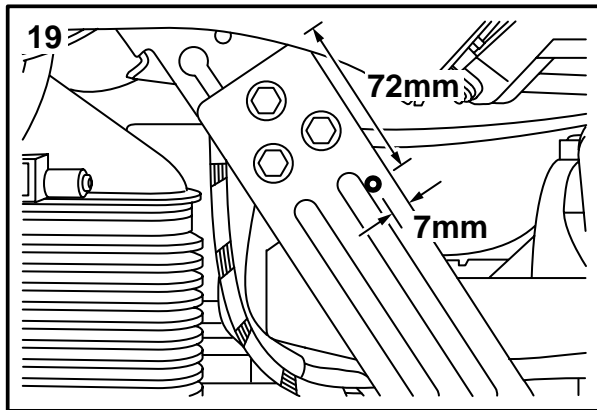
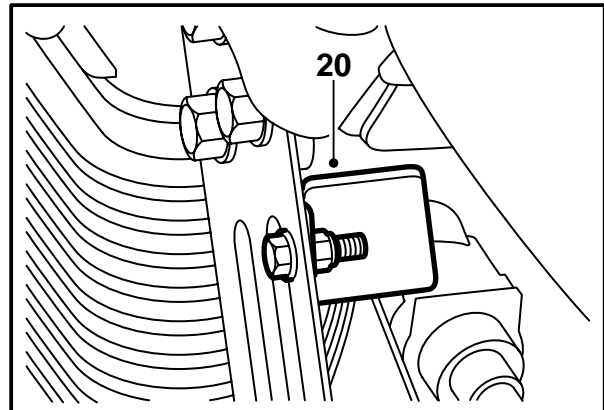
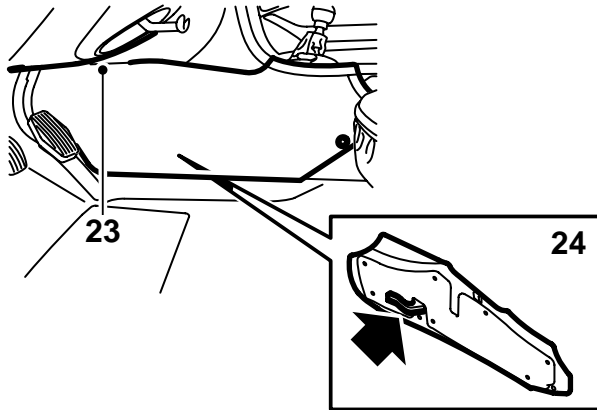
F980A315



16 Guide the kit's grey (GY) cable along the topside of the air duct to the left-hand dashboard support. Secure the cable with cable ties.

17 Fit cable terminals to the relay socket as follows:

Pin	Colour
85	GY
30	YE
87a	GN
87	OG, VT and BU/GN
86	OG



- 18 Fit the relay in the relay socket.  
 19 Drill a 6 mm hole (according to the dimensions) in the dashboard support.

- 26 Synchronise remote control code by inserting the key into the ignition.

**⚠ WARNING**

Protect the area behind the support so that no cable is damaged as this may lead to a short circuit/fire.

**Important**

This must be carried out with all remote controls, otherwise they will not work.

- 20 Fit the relay to the inside of the support. The relay must be mounted at a 90° angle to the edge of the support.  
 21 Check the function.  
 22 Secure the wiring harness to avoid creaks and rattles.

- 27 Adjust the time and date.  
 28 Activate window lift pinch protection function by operating the side windows up and down twice. An audible confirmation will sound when activation is complete.

**⚠ WARNING**

Check that the wiring harness is not pinched. Incorrect fitting can damage the wiring harness and cause a short-circuit/fire.

- 23 Fit the lower section of the panel.  
 24 Fit the side piece.  
 25 Connect the negative battery cable.