

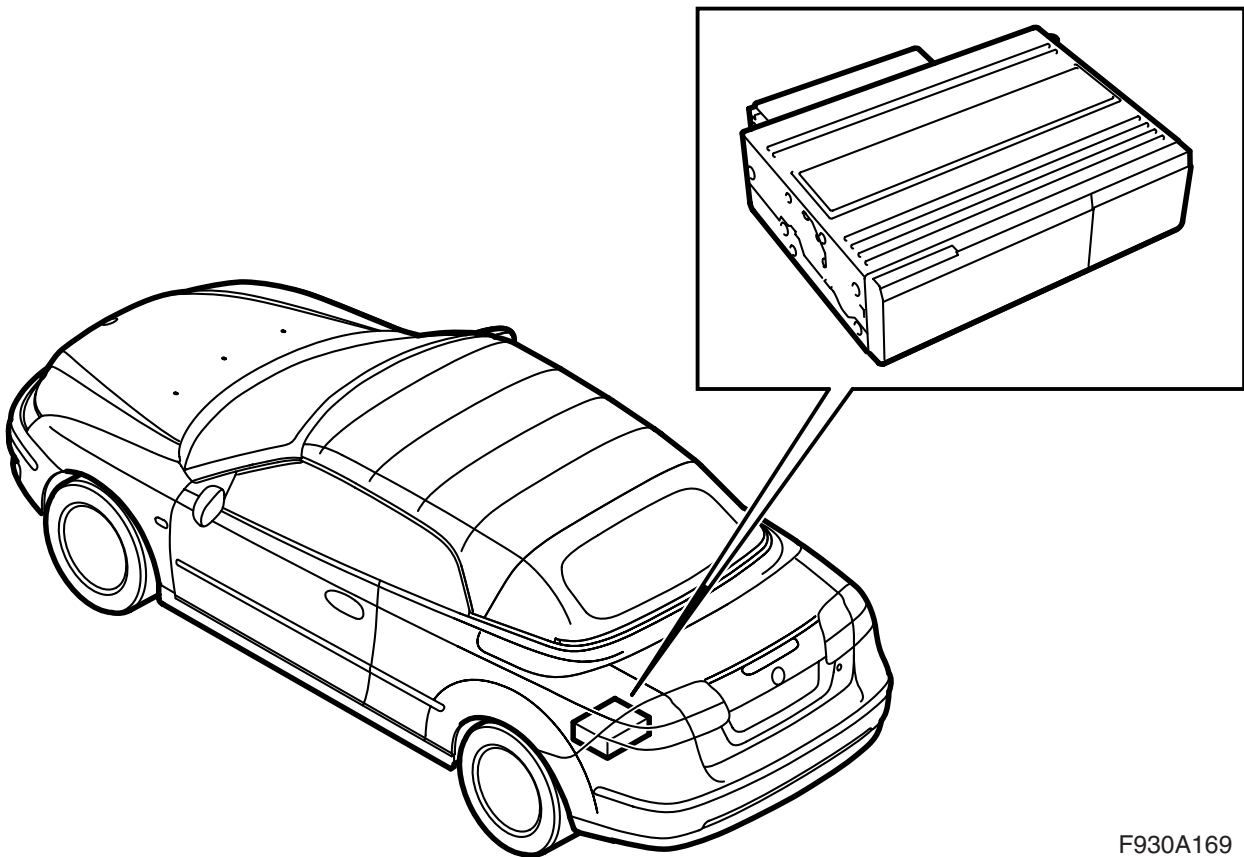


**MONTERINGSANVISNING · INSTALLATION INSTRUCTIONS  
MONTAGEANLEITUNG · INSTRUCTIONS DE MONTAGE**

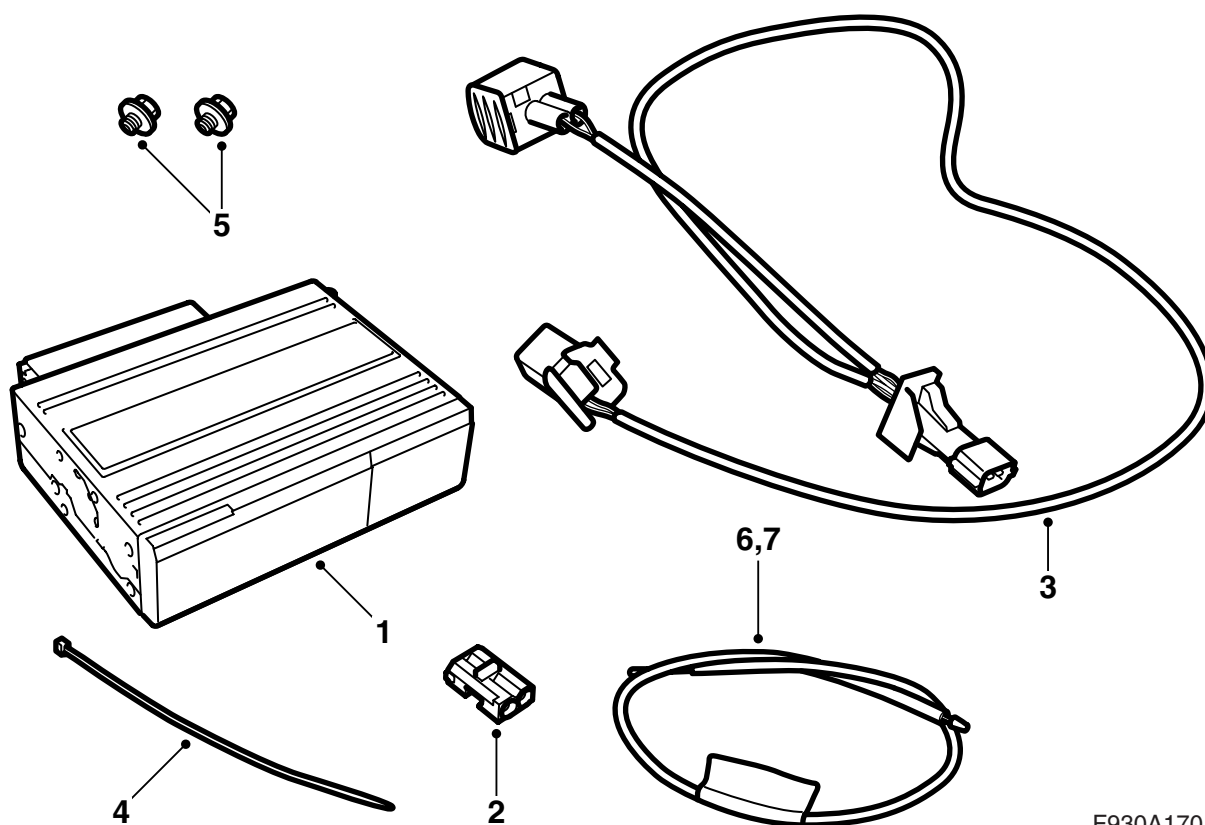
**Saab 9-3 CV M04-**

CD changer, luggage compartment

Accessories Part No.	Group	Date	Instruction Part No.	Replaces
12 832 501	9:36-24	Apr 03	12 832 511	



F930A169



F930A170

- 1 CD changer
- 2 Optical cable connector, 2-pin
- 3 Wiring harness
- 4 Cable tie
- 5 Screw (x2)
- 6 Fibre optic cable (between the front amplifier and the console in the luggage compartment)
- 7 Fibre optic cable (used only if there is other equipment in the luggage compartment console)

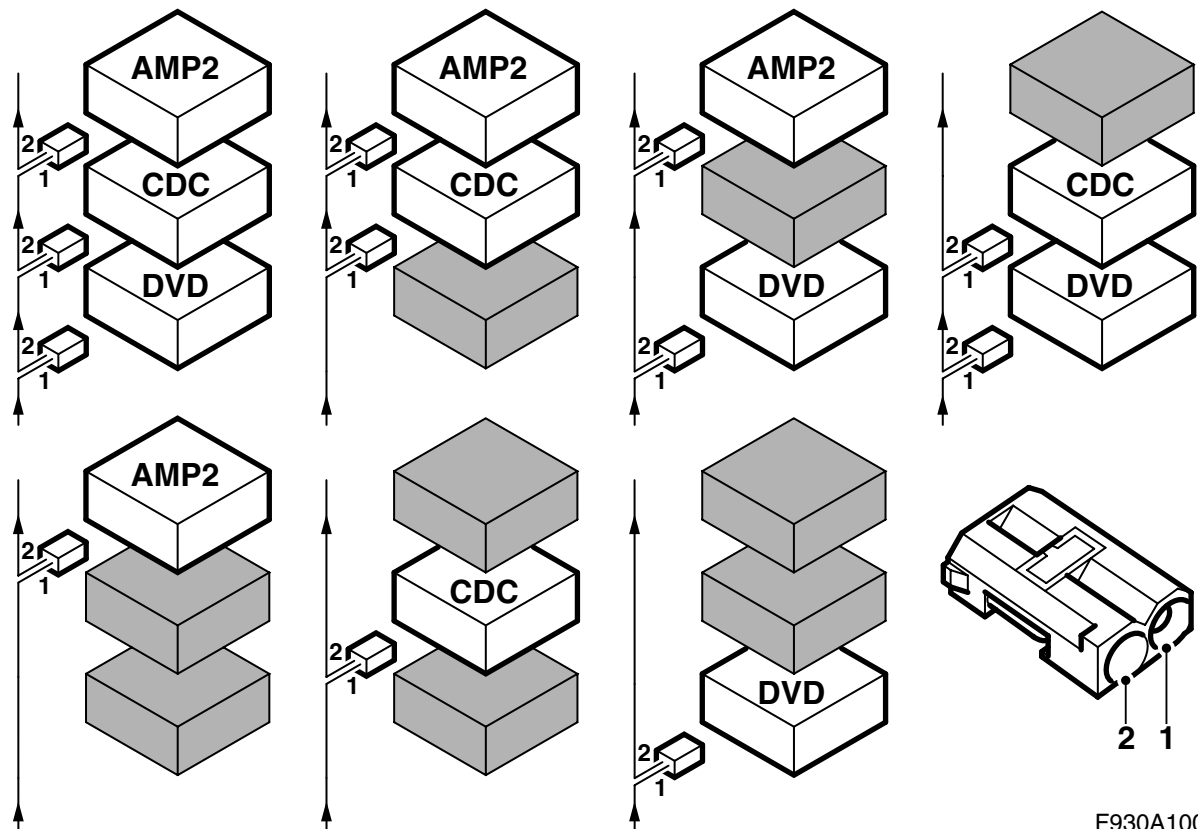
**In addition, the following items are required (ordered separately)**

#### To fit

For cars without console by the REC, see page 4.

For cars where there is a console containing an amplifier and/or a DVD player by the REC, see page 19.

Console for equipment in the luggage compartment (certain cars)



F930A100

## Bus Communication

Many parts of the car's electrical system communicate using a bus. There are three types of bus communication: P-bus (Powertrain Bus), I-bus (Instrument Bus) and O-bus (Optical bus). The audio system communicates via the O-bus together with the navigation system, the telephone system and others.

The O-bus is optical and is a ring bus. Two fibre optical cables are connected to each control module on the bus, one fibre optical cable for receiving and one for sending. Messages received are converted by each control module from a fibre optical signal to electrical and then converted back to optical for sending. The O-bus data transfer rate is 25 Mbit/s.

### Important

It is very important that everything connected to the O-bus is connected in a specific order, see illustration, and that the ring is closed the whole time.

Connection in any other way than that described in these fitting instructions may result in several of the car's systems failing to work.

AMP1 is an amplifier behind the left-hand rear side trim

AMP2 is an amplifier by the REC

CDC is a CD changer by the REC

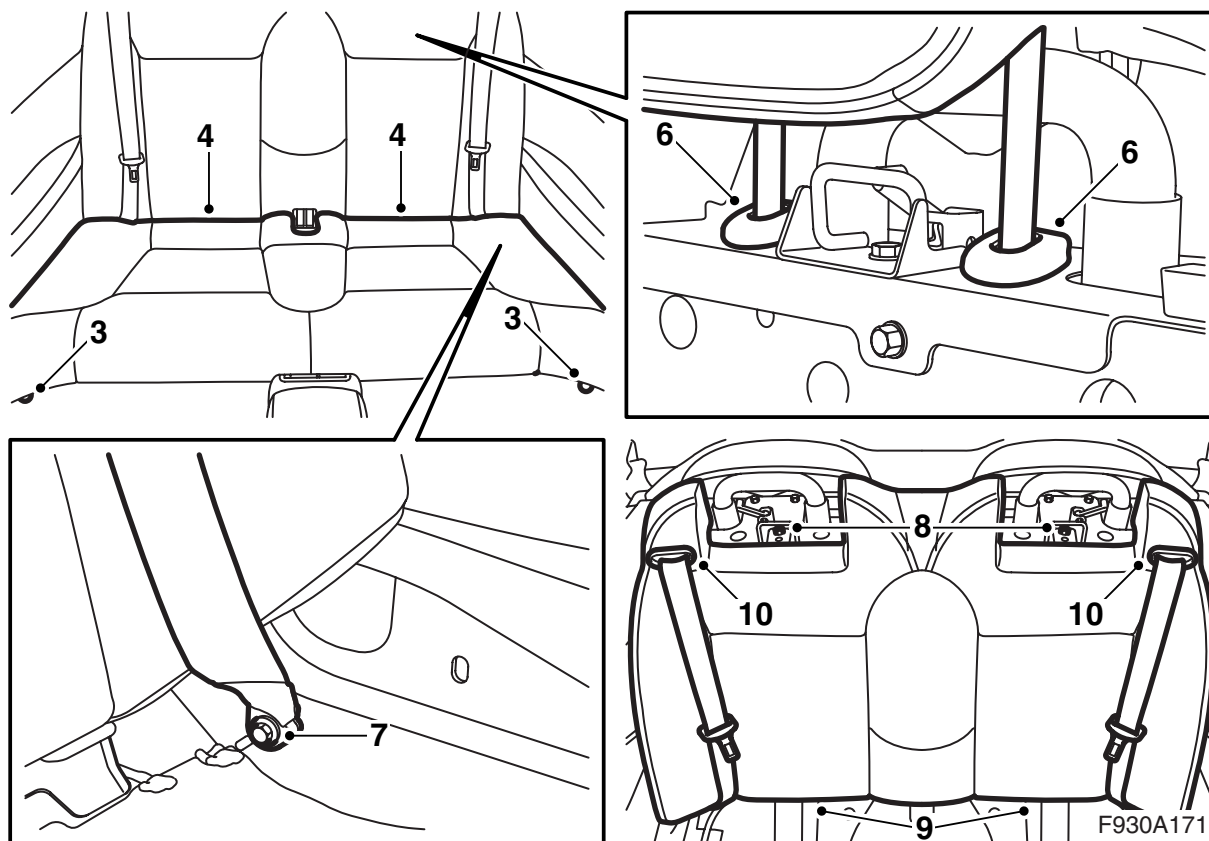
DVD is a DVD player by the REC

When fitting new equipment to be connected to the O-bus it is important that it is connected into the correct side of the existing equipment.

### Important

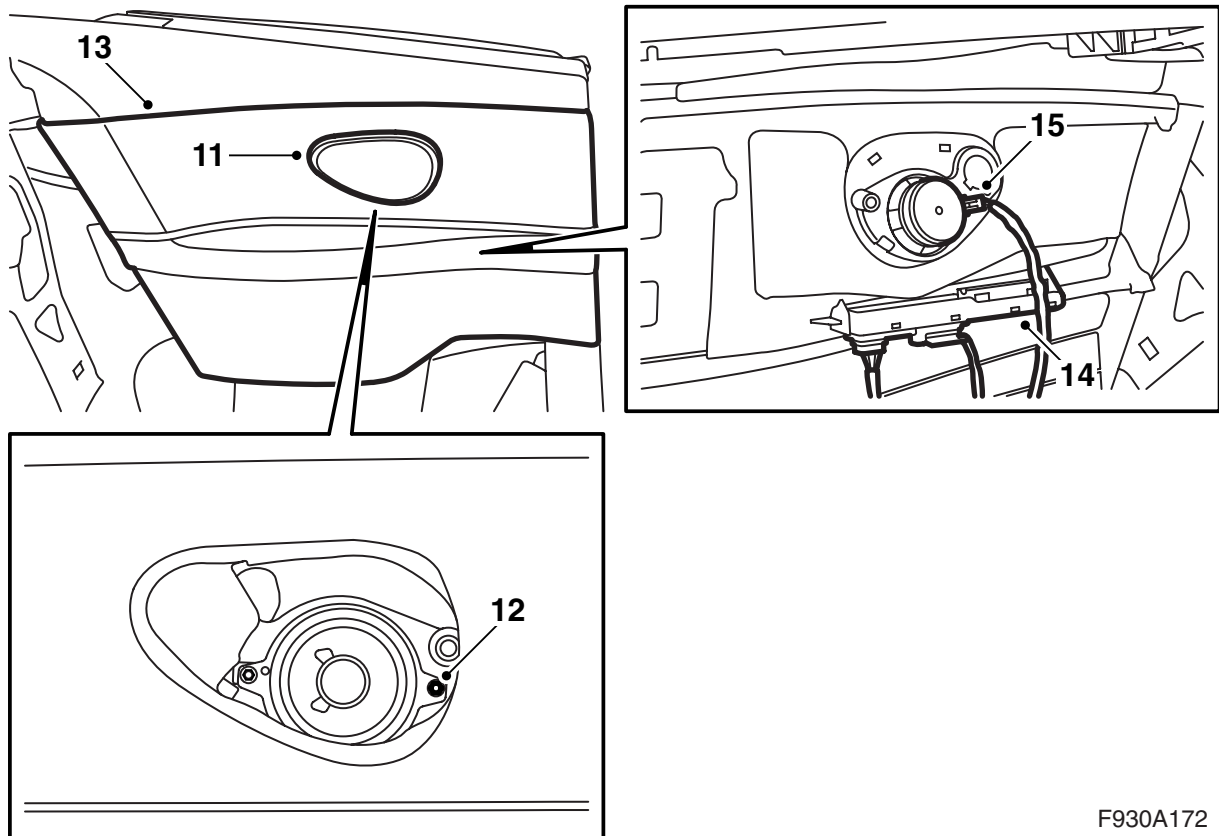
Handle the fibre optic cables with care or the signal may be distorted.

- It is very important that the two leads in the connector are not confused with one another.
- Do not splice the cables.
- Do not bend the cable in a radius smaller than 25 mm.
- Do not expose the cable to temperatures exceeding 85 °C.
- Keep the cable ends free from dirt and grime.
- Do not expose the cable to impact as this may cause the transparent plastic to whiten, thereby reducing the intensity of the light and causing possible communication interruptions.
- The cable should not lie against any sharp edges as this may cause increased signal reduction.



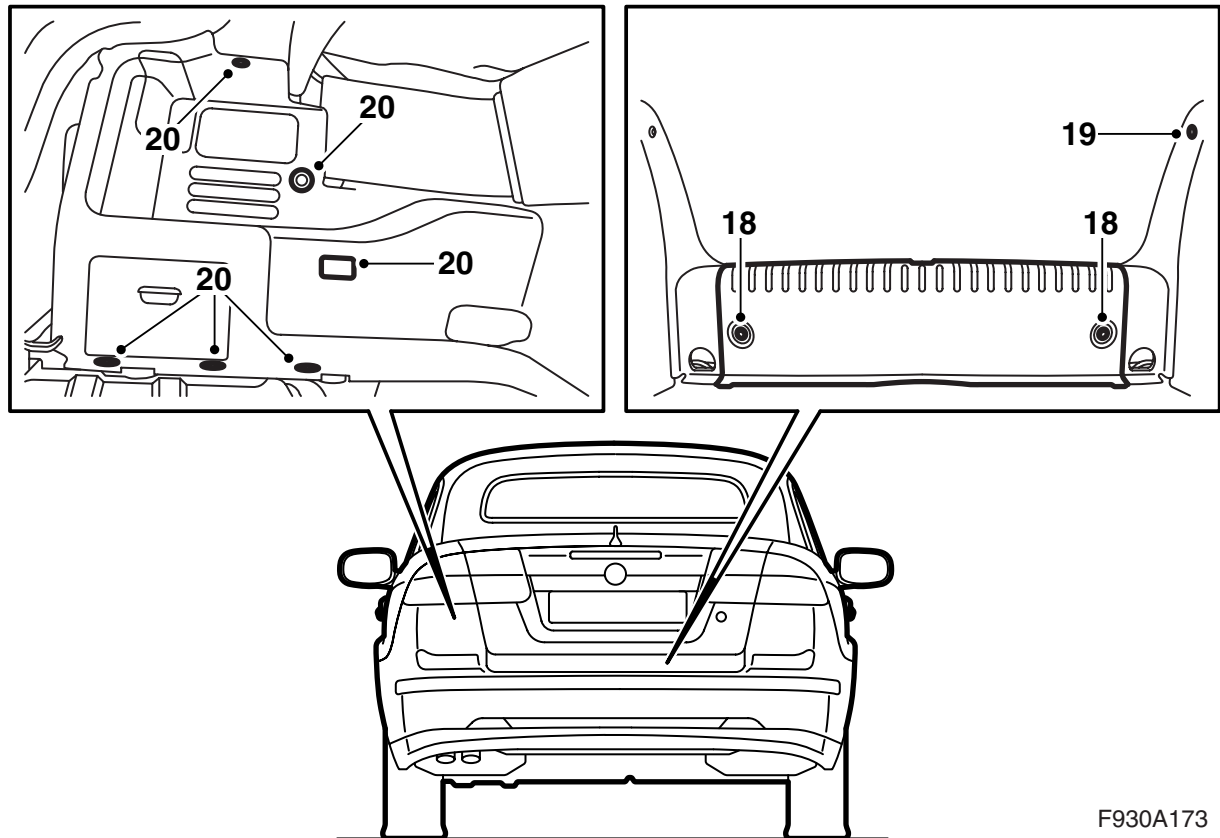
### Cars without console by the REC

- 1 Fold down the soft top completely, but allow the soft top cover to remain open.
- 2 Open the rear side window on the left-hand side completely.
- 3 Remove the screws which hold the rear seat cushion at the front edge.
- 4 Lift up the cushion and pull it forwards so that it loosens.
- 5 Pull up both of the rear head restraints to the highest position.
- 6 Press in the lock on the head restraints' sleeves. Hold the lock pressed in and remove the head restraints.
- 7 Remove the screws for the seat belts' lower mounting.
- 8 Remove the two screws for the back rest cushion upper mounting.
- 9 Pull the back rest cushion lower section forwards and lift the back rest cushion upwards.
- 10 Press out the seat belt guide from the back rest cushion and move the seat belt out from the guide and the back rest cushion.



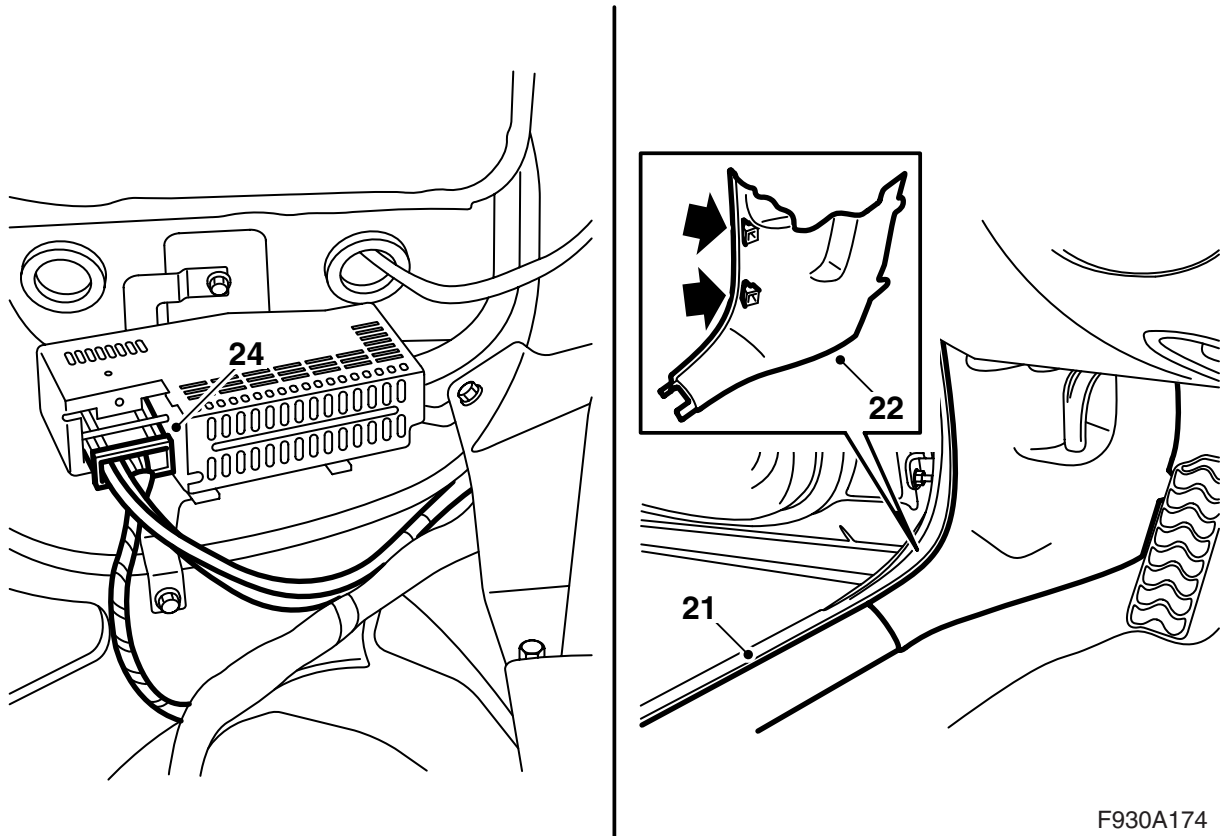
F930A172

- 11 Carefully remove the speaker grille from the left-hand rear side trim. Use removal tool 82 93 474.
- 12 Remove the screw that holds the rear side trim on the left-hand side.
- 13 Lift the side trim upwards. Retain the rubber protectors.
- 14 Unhook the control module from the side trim, but do not remove the control module connector as this means a diagnostic trouble code being generated.
- 15 Remove the speaker connector and remove the side trim.



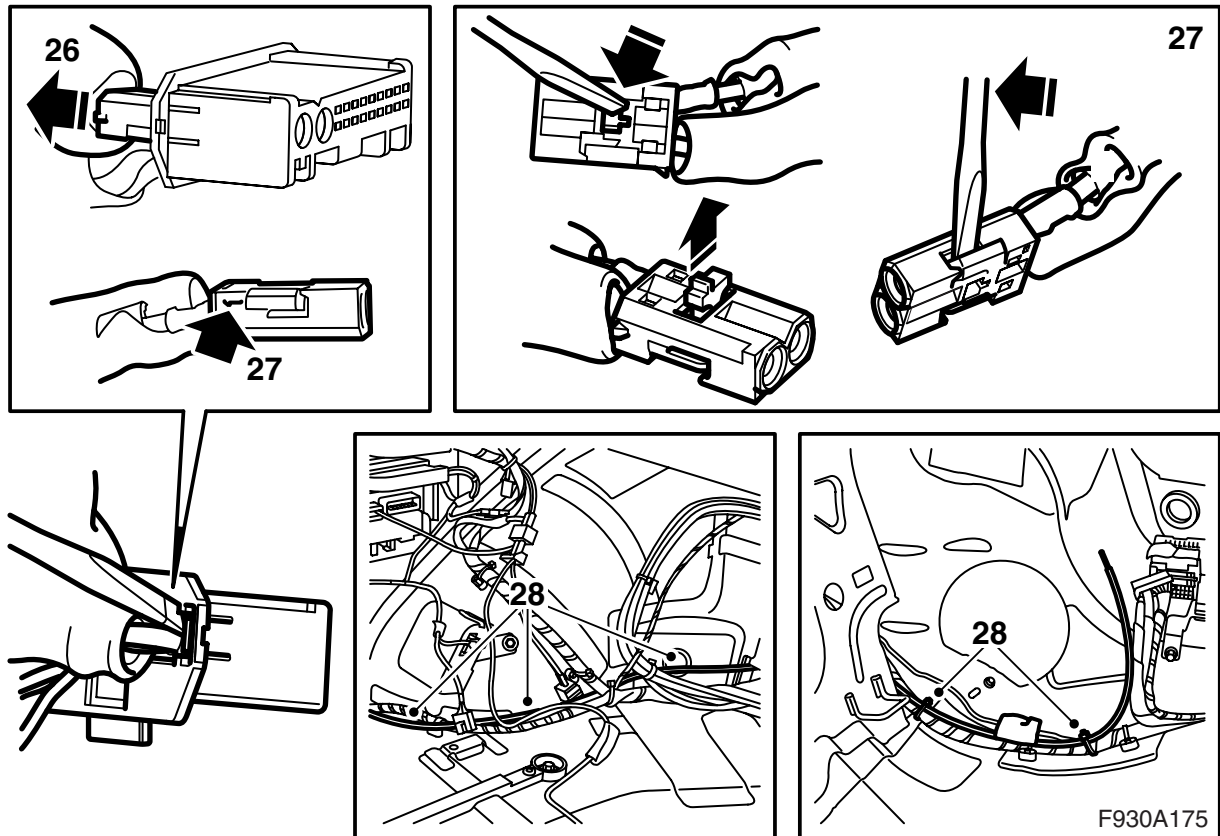
F930A173

- 16 Raise the soft top and open the boot lid.
- 17 Remove the battery negative cable and take the key from the ignition.
- 18 Remove the carpet on the luggage compartment floor and remove the luggage compartment scuff plate.
- 19 Remove the side scuff plate on the left-hand side.
- 20 Remove the clips for the left-hand side trim and fold the trim aside. Unhook the strap on the rear side of the side trim and remove the connector from the luggage compartment lighting. Remove the side trim.



F930A174

- 21 Remove the scuff plate on the left-hand side of the car.
- 22 Remove the lower section of the A-pillar trim on the left-hand side.
- 23 Position the left-hand front seat in its most forward position and fold the backrest forwards.
- 24 Remove the connector from the amplifier.



25 Locate the green marked fibre optic cable by the amplifier.

**If there is no colour marking and if there is no console by the REC:** Follow the description in steps 49 and 50 in these installation instructions, shine a light onto the fibre optic cable by the amplifier and note the fibre optic cables in the luggage compartment in order to identify the fibre optic cable in question. Mark using a piece of tape.

### Important

Handle the fibre optic cables with care or the signal may be distorted.

- It is very important that the two leads in the connector are not confused with one another.
- Do not bend the cable in a radius smaller than 25 mm.
- Keep the cable ends free from dirt and grime.
- Do not expose the cable to impact as this may cause the transparent plastic to whiten, thereby reducing the intensity of the light and causing possible communication interruptions.
- The cable should not lie against any sharp edges as this may cause increased signal reduction.

26 Remove the fibre optic cables' connector (the small connector) from the amplifier's connector.

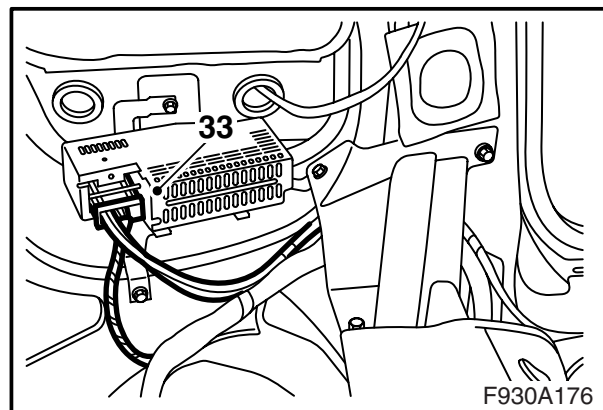
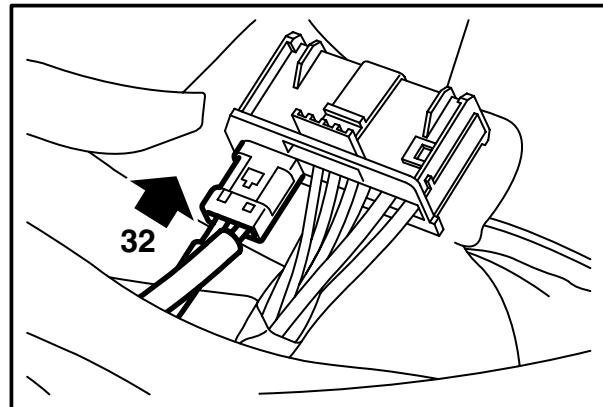
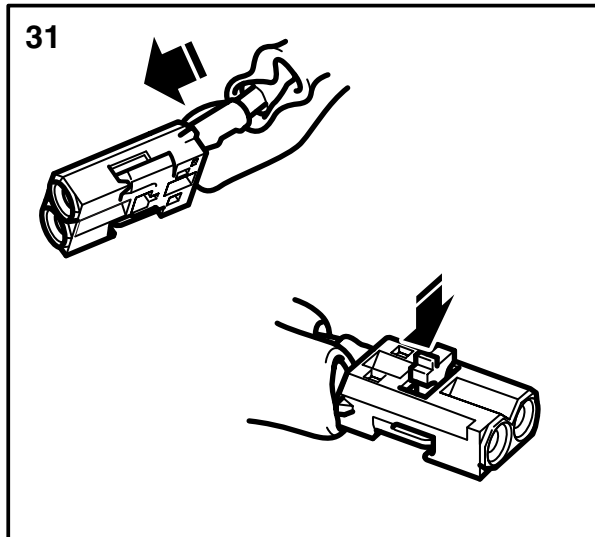
27 Remove the fibre optic cable connected to position 1 by opening the connector locking clip and carefully lifting the hook.

28 Position the kit's fibre optic cable along the car's existing wiring harness from the amplifier to the REC.

29 Remove the protector from the connection on the kit's fibre optic cable.

30 Fit the protective cover onto the removed fibre optic cable connection and carefully move the fibre optic cable aside in order to prevent damage.





31 Check that the fibre optic cable cannot bend and fit the connection on the fibre optic cable in position 1 in the small connector to the amplifier. Fit the lock.

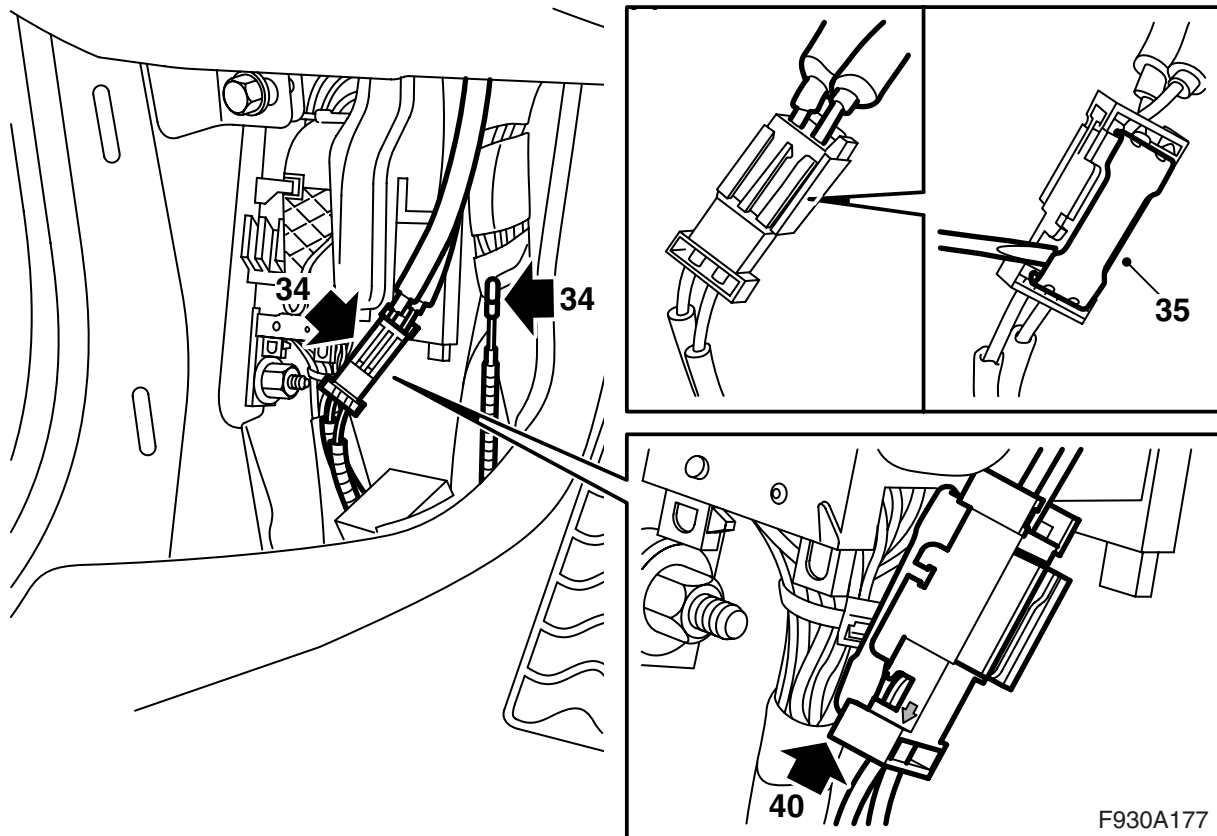
### Important

Handle the fibre optic cables with care or the signal may be distorted.

- It is very important that the two leads in the connector are not confused with one another.
- Do not bend the cable in a radius smaller than 25 mm.
- Keep the cable ends free from dirt and grime.
- Do not expose the cable to impact as this may cause the transparent plastic to whiten, thereby reducing the intensity of the light and causing possible communication interruptions.
- The cable should not lie against any sharp edges as this may cause increased signal reduction.

32 Fit the small connector to the large connector.

33 Connect the amplifier.



- 34 Locate the loose fibre optic cable and the connector with the fibre optic cables connected by the left-hand A-pillar (taped to the cable duct).

**⚠ WARNING**

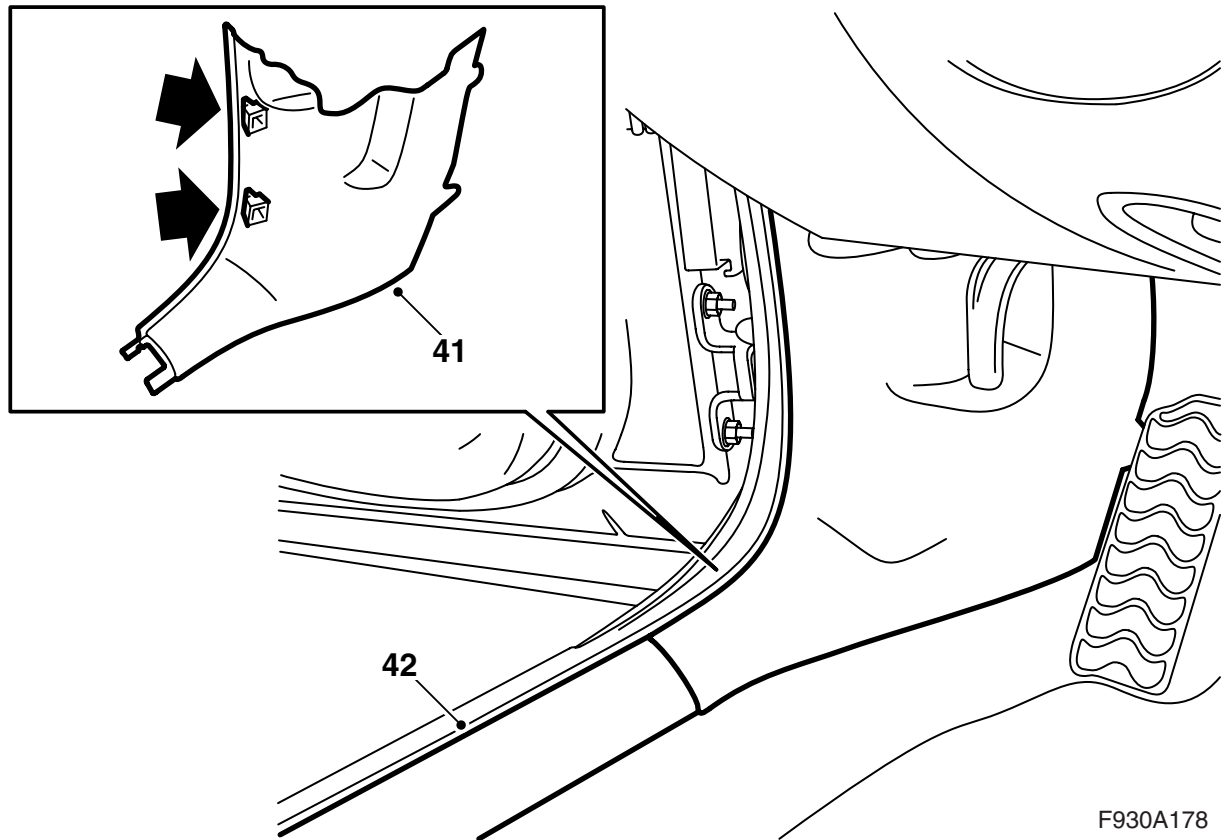
The visible red light is a class 1 laser. Do not look directly into the optical fibre or the control module connector at close range. A distance of less than 20 mm between your eyes and the light source may cause eye injury.

- 35 Lift up the connector lock tab.
- 36 Remove the fibre optic cable from the position in the connector where the arrow points outwards, to the fibre optic cable.
- 37 Remove the fixing tape from the loose fibre optic cable.
- 38 Remove the protective cover from the connection.
- 39 Fit the protective cover onto the removed fibre optic cable connection and carefully move the fibre optic cable aside in order to prevent damage, and position it behind the wiring harness.
- 40 Fit the connection on the new fibre optic cable in the connector and fit the lock tab.

**Important**

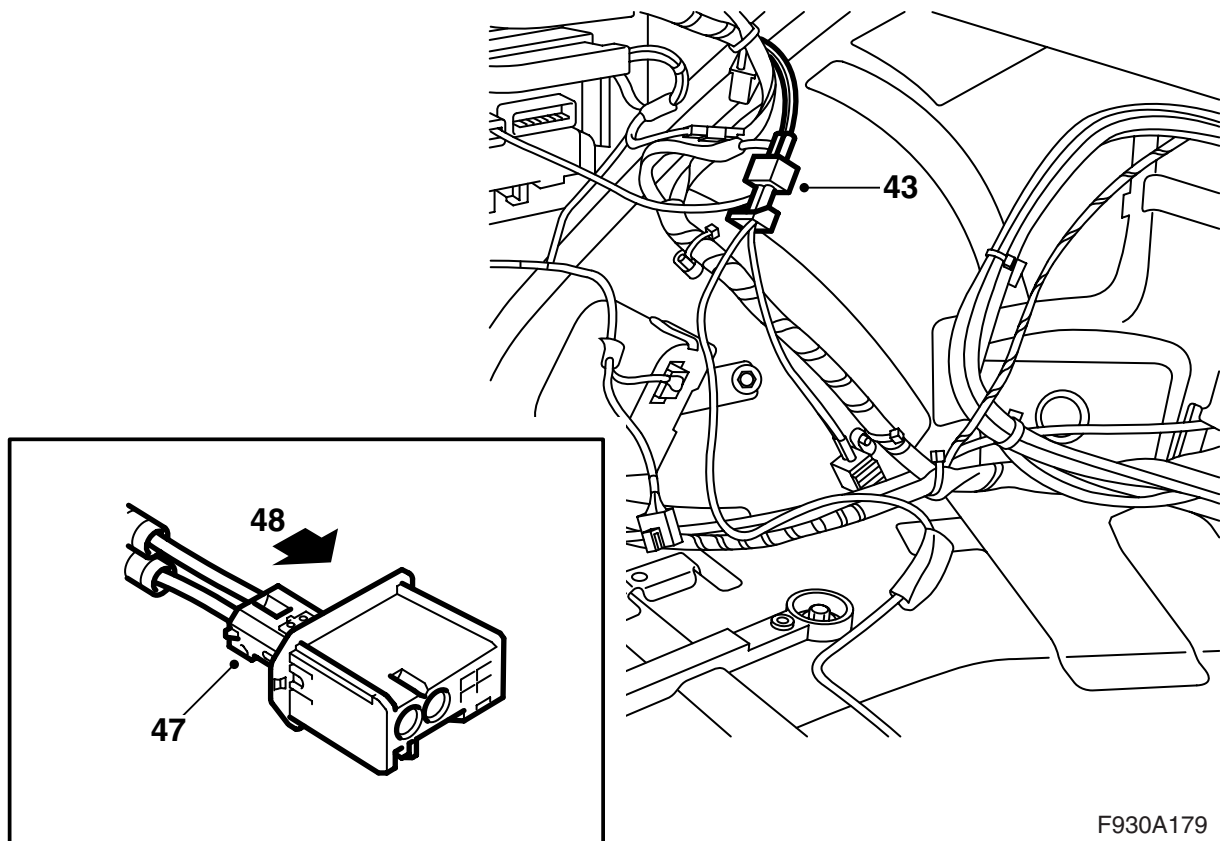
Handle the fibre optic cables with care or the signal may be distorted.

- It is very important that the two leads in the connector are not confused with one another.
- Do not bend the cable in a radius smaller than 25 mm.
- Keep the cable ends free from dirt and grime.
- The cable should not lie against any sharp edges as this may cause increased signal reduction.



F930A178

- 41 Fit the A-pillar trim.
- 42 Fit the scuff plate.



F930A179

- 43 Locate the connector for the CD changer by the REC. Remove the tape and draw the connector forwards.
- 44 Connect the kit's wiring harness to the connector.
- 45 Locate the fibre optic cable by the REC.
- 46 Remove the protective cover from the fibre optic cables' connections.

**⚠ WARNING**

The visible red light is a class 1 laser. Do not look directly into the optical fibre or the control module connector at close range. A distance of less than 20 mm between your eyes and the light source may cause eye injury.

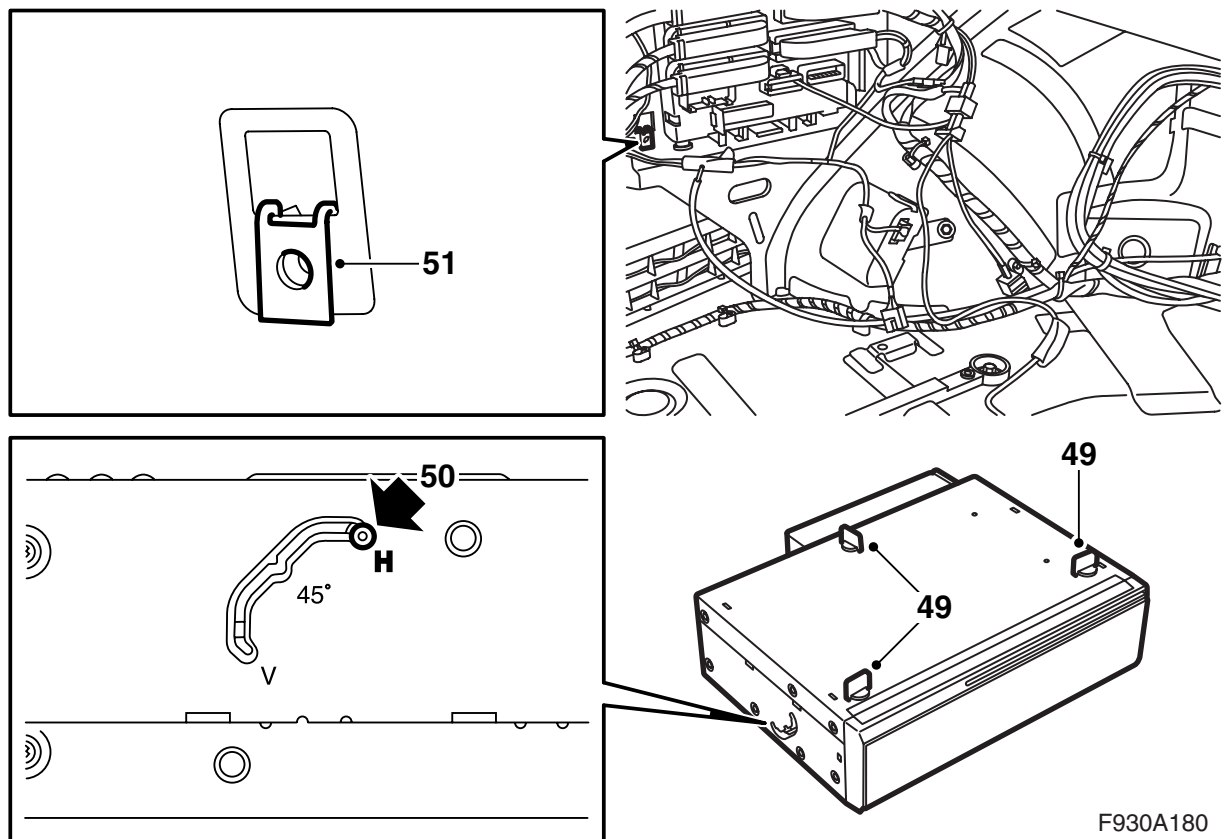
- 47 Fit the green-marked connection on the fibre optic cable in position 1 in the small connector and the unmarked connection on the fibre optic cable in position 2 in the small connector.

**Important**

For cars without green marked fibre optic cable the fibre optic cable marked with tape earlier must be fitted in position 2 and the other unmarked connection must be fitted in position 1.

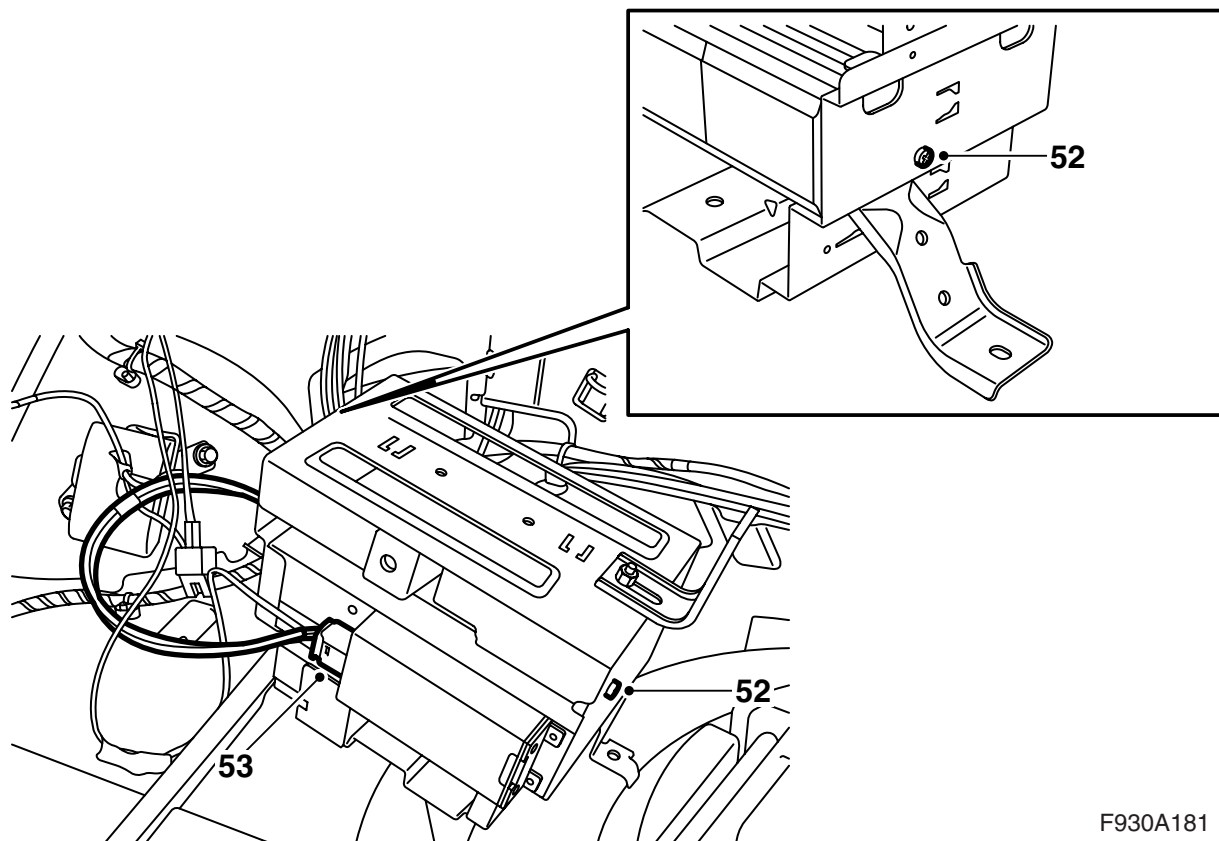
Fit the lock.

- 48 Fit the small connector to the large connector.



F930A180

- 49 Remove the three red transport fuses from the CD changer.
- 50 Check the CD changer fitting position setting. Both sides of the CD changer must be set to position H.
- 51 Fit the bracket clip nut in the square hole near the REC and place the bracket in the luggage compartment.



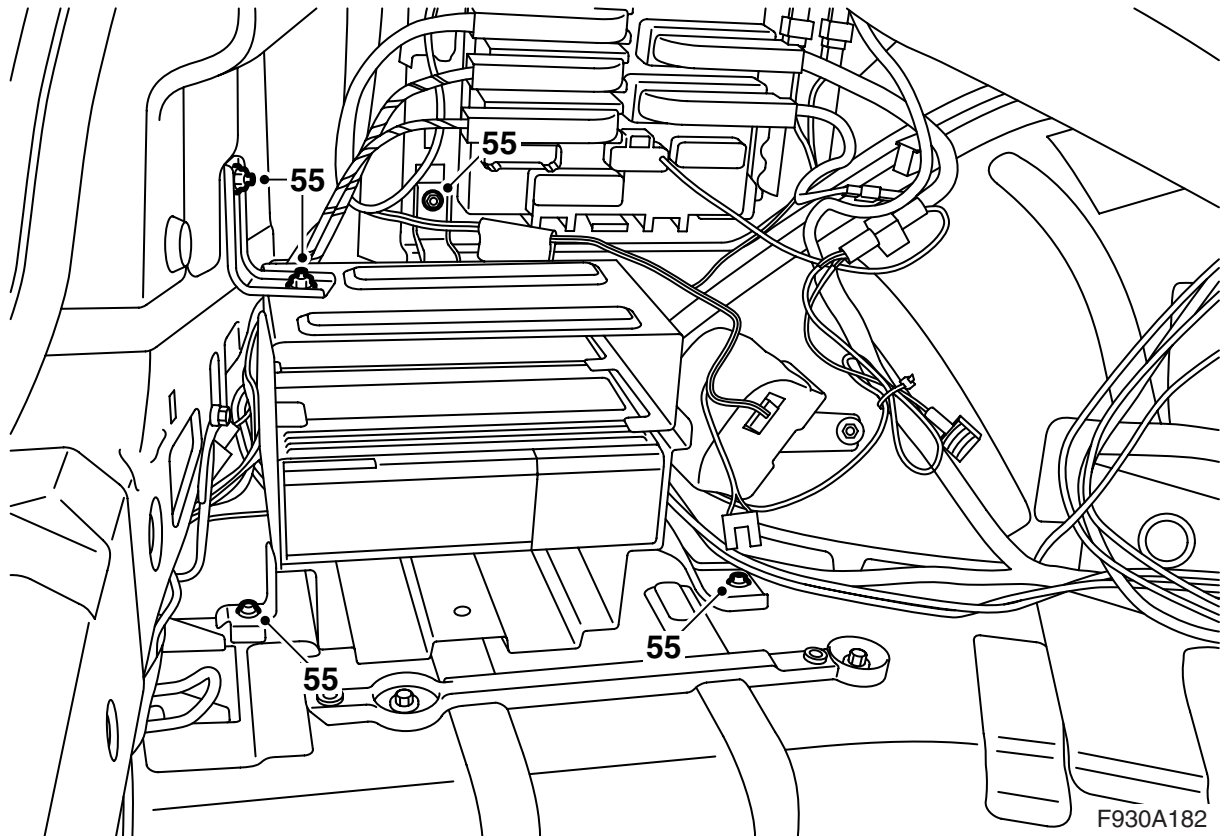
F930A181

52 Fit the CD changer to the bracket.

**Tightening torque 2 Nm (1.5 lbf ft)**

53 Attach the wiring harness to the CD changer and fit the cable tie clip in the bracket hole.

54 Secure the CD changer wiring harness together with the unused connector in an appropriate location using the cable tie.



F930A182

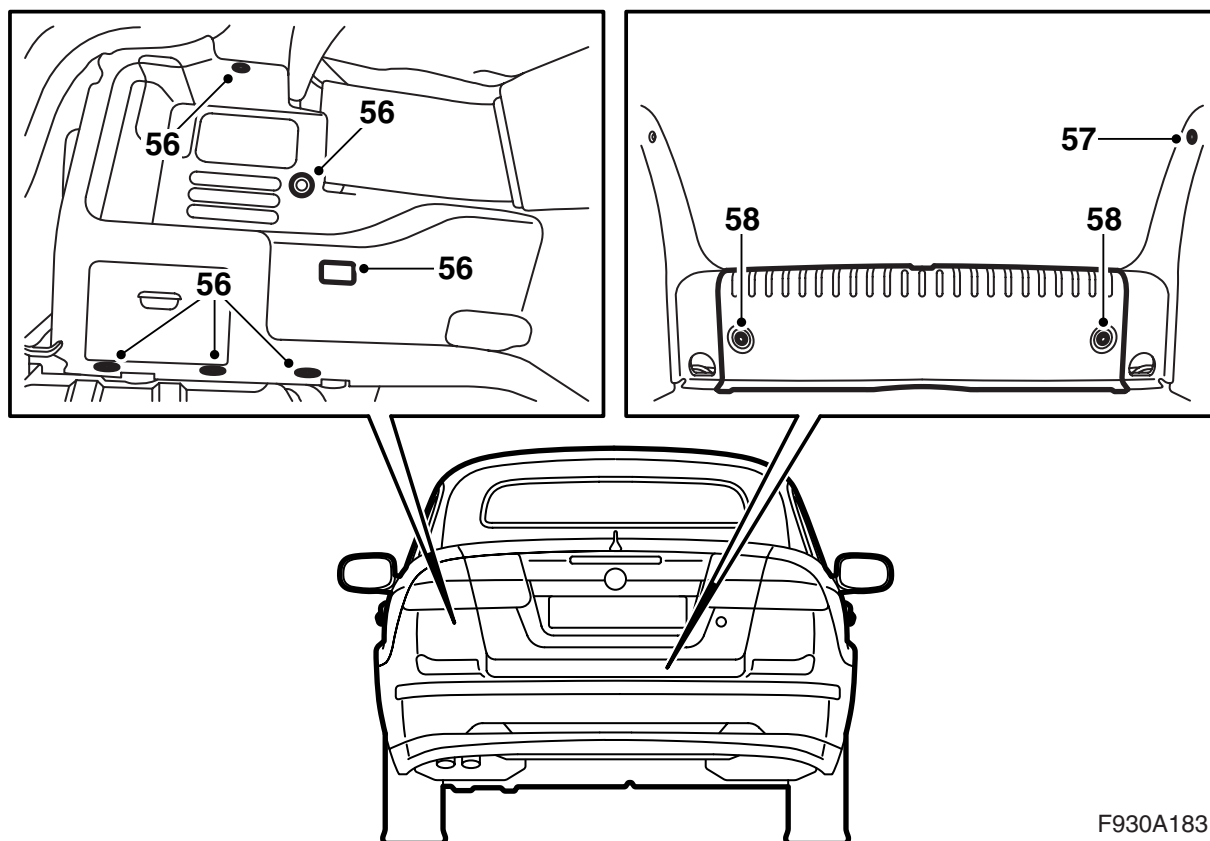
55 Fit the bracket. Tighten the nut on the bracket's top side.

---

### Important

Handle the fibre optic cables with care or the signal may be distorted.

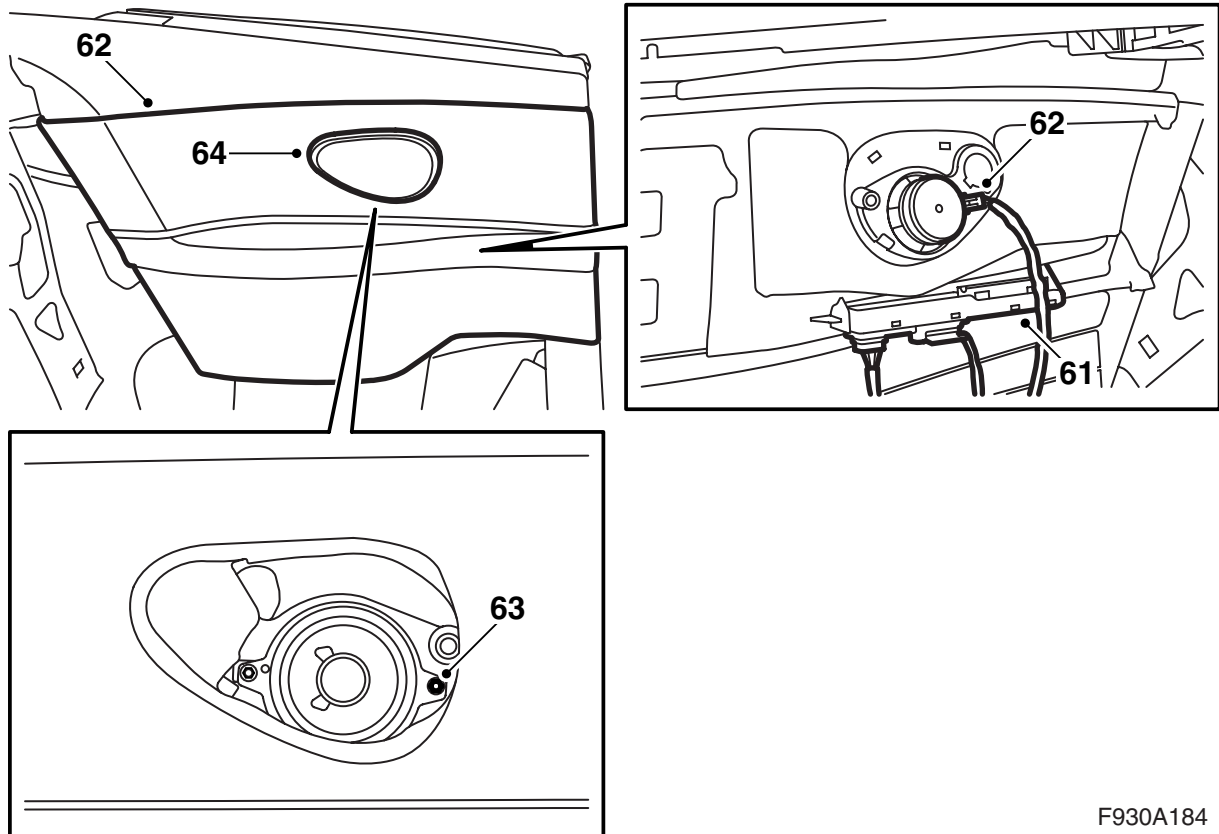
- It is very important that the two leads in the connector are not confused with one another.
  - Do not bend the cable in a radius smaller than 25 mm.
  - Keep the cable ends free from dirt and grime.
  - The cable should not lie against any sharp edges as this may cause increased signal reduction.
-



F930A183

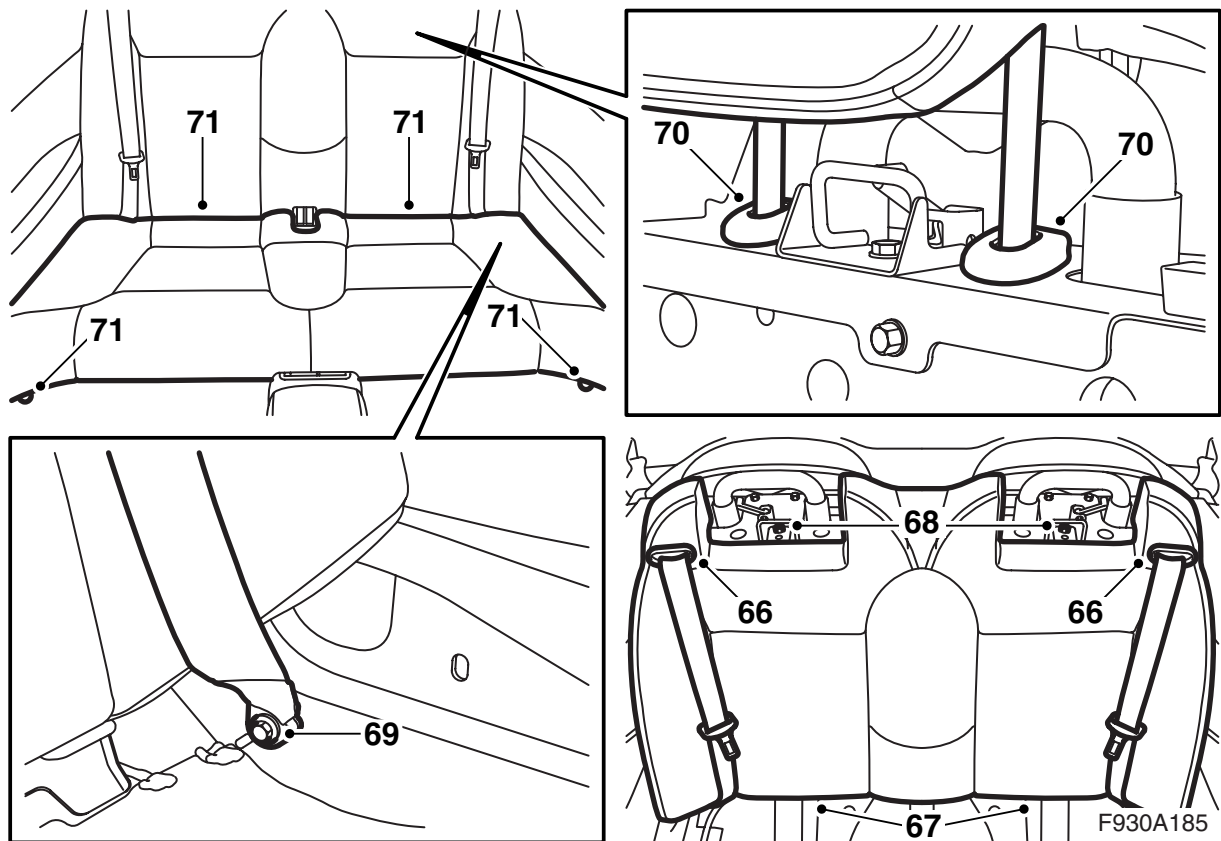
- 56 Fit the left-hand side trim, connect the luggage compartment lighting and hook the strap on. Fit the clips.
- 57 Fit the side scuff plate on the left-hand side.
- 58 Fit the scuff plate and fit the carpet on the luggage compartment floor.





F930A184

- 59 Connect the battery negative cable.
- 60 Fold down the soft top completely, but allow the soft top cover to remain open.
- 61 Check that the damp protection in the left-hand side trim is intact and replace if necessary.
- 62 Connect the speaker connector, fit the side trim and press it down. Check that the rubber protectors are in place.
- 63 Fit the screw that holds the side trim, fold the inner lip on the door opening seal over the side trim front edge and lift the bracket on the soft top cover seal over the side trim.
- 64 Fit the speaker grille.
- 65 Close the soft top cover.



- 66 Guide the rear seat belts into the belt guides and fit the guides in the back rest cushion by pressing them in.
- 67 Fit the back rest cushion from above and press it down securely.
- 68 Fit the two screws for the back rest cushion upper mounting.
- 69 Fit the screws for the seat belts' lower mounting.
- 70 Fit the rear head restraints in the sleeves.
- 71 Fit the seat cushion and fit the screws in the seat cushion front edge.
- 72 Adjust the time and date.
- 73 Synchronise remote control code by inserting the key into the ignition.

### Important

Repeat this procedure with all keys. Otherwise, the remote controls will not function.

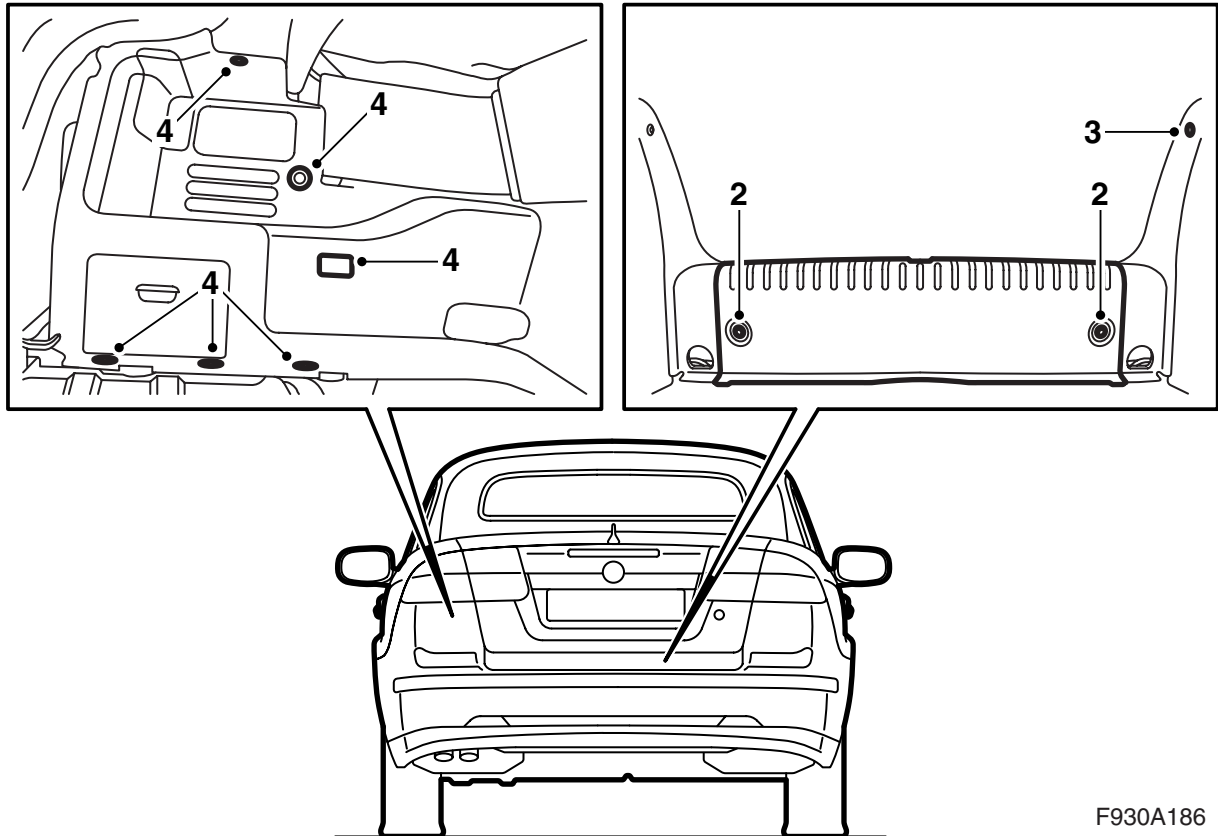
- 74 Activate window lift pinch protection function by operating the side windows up and down twice. An audible confirmation will sound when activation is complete.

- 75 Connect the diagnostic tool, select car and model year, select "All", select "Add/Remove", select the accessory and then "Add".

### Note

The diagnostic tool will on some occasions need to retrieve a security code in TIS. Information on what to do will be displayed on the diagnostic tool display.

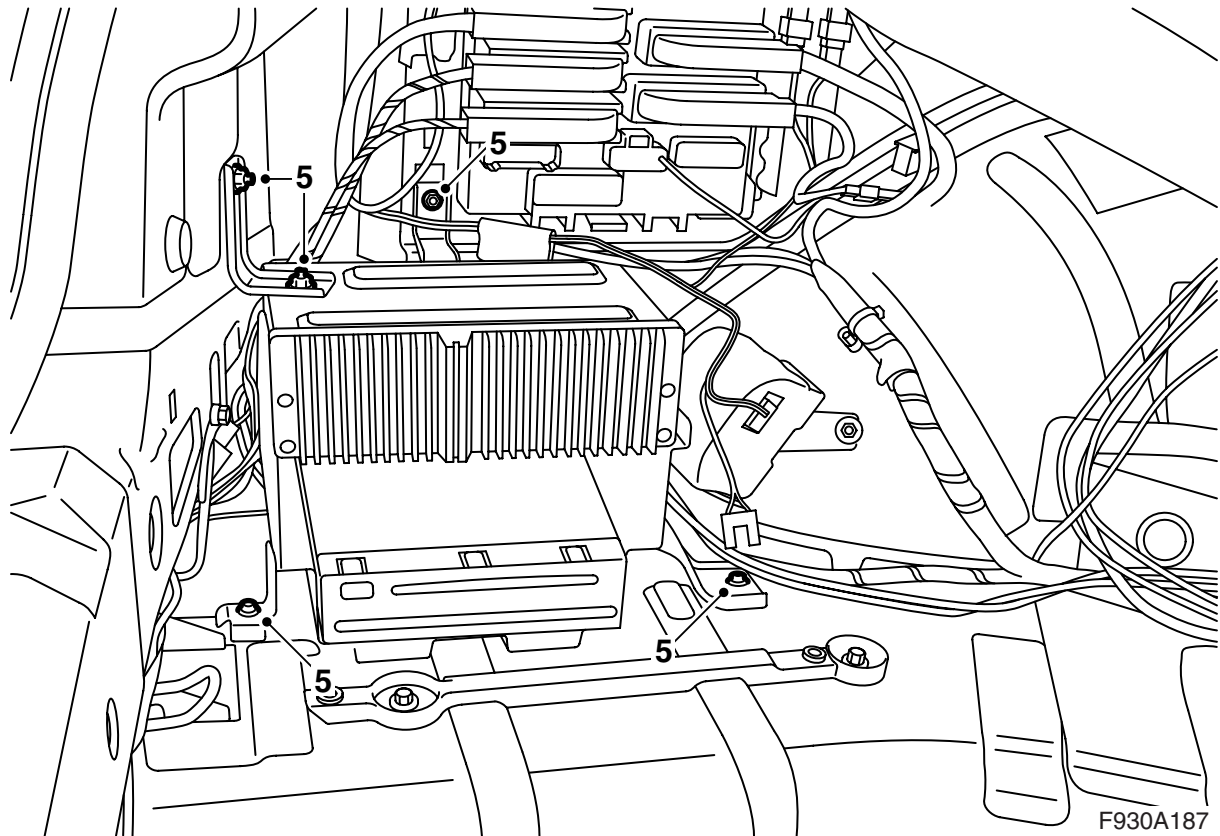
- 76 Check that the system is working.



F930A186

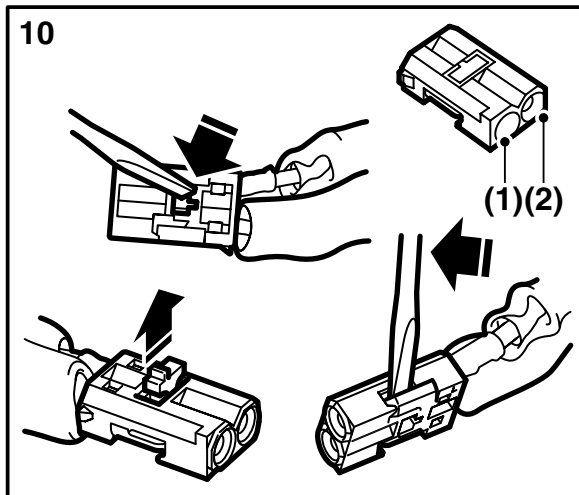
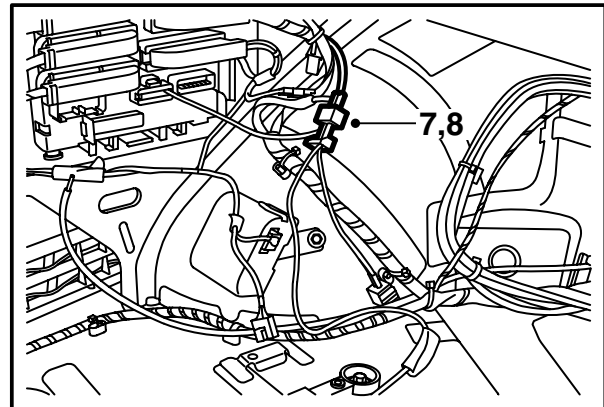
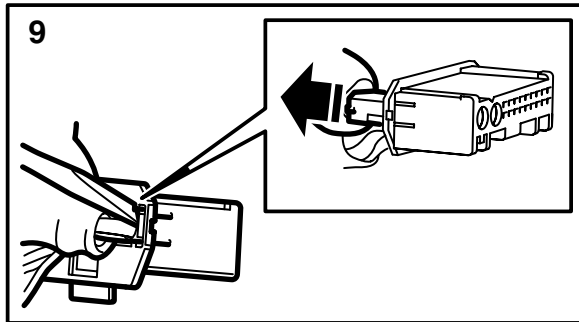
### Cars with a bracket containing an amplifier and/or a DVD player near the REC

- 1 Open the boot lid, disconnect the battery negative cable and pull the key from the ignition switch. The soft top must be raised.
- 2 Remove the carpet on the luggage compartment floor and remove the luggage compartment scuff plate.
- 3 Remove the side scuff plate on the left-hand side.
- 4 Remove the clips for the left-hand side trim and fold the trim aside. Unhook the strap on the rear side of the side trim and remove the connector from the luggage compartment lighting. Remove the side trim.



F930A187

- 5 Remove the bracket near the REC and move it aside for better access.
- 6 **Amplifier fitted to the bracket near the REC:**  
Unplug the amplifier connector.
- DVD player only fitted to the bracket near the REC:** Unplug the DVD player connector.



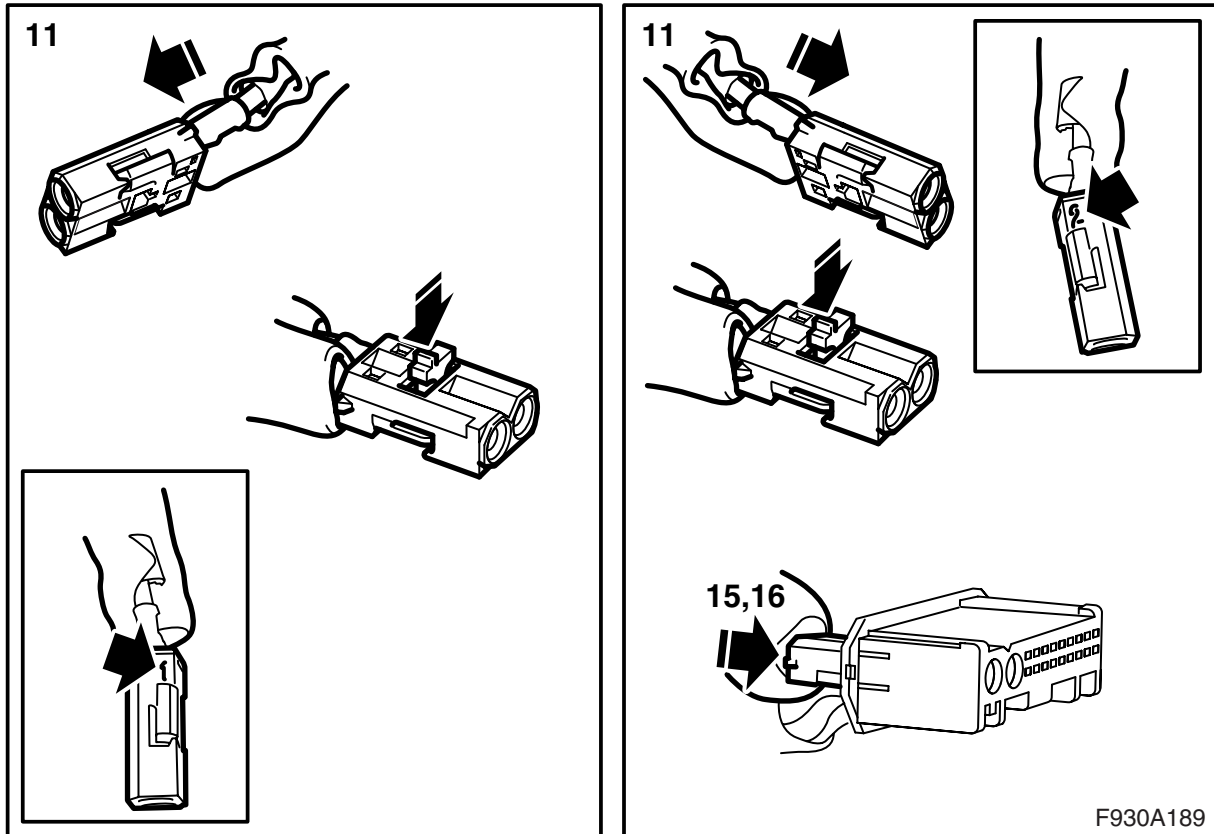
F930A188

- 7 Locate the connector for the CD changer near the REC.
- 8 Connect the kit's wiring harness to the connector.
- 9 Unplug the fibre optic cable connector (the small connector) from both the amplifier and DVD player connectors.

**⚠ WARNING**

The visible red light is a class 1 laser. Do not look directly into the optical fibre or the control module connector at close range. A distance of less than 20 mm between your eyes and the light source may cause eye injury.

- 10 **Amplifier connector:** Unplug the fibre optic cable connected to position 1 by opening the connector locking clip and carefully lifting the catch.
- DVD player connector:** Unplug the fibre optic cable connected to position 2 by opening the connector locking clip and carefully lifting the catch.



F930A189

11 **Amplifier connector:** Plug the fibre optic cable connection into position 1 in the accessory kit connector.

**DVD player connector:** Plug the fibre optic cable connection into position 2 in the accessory kit connector.

12 Remove the protective covers from the accessory kit fibre optic cable connections.

13 **Amplifier connector:** Plug one of the accessory kit fibre optic cable connections into position 2 in the accessory kit connector. Fit the locking clip.

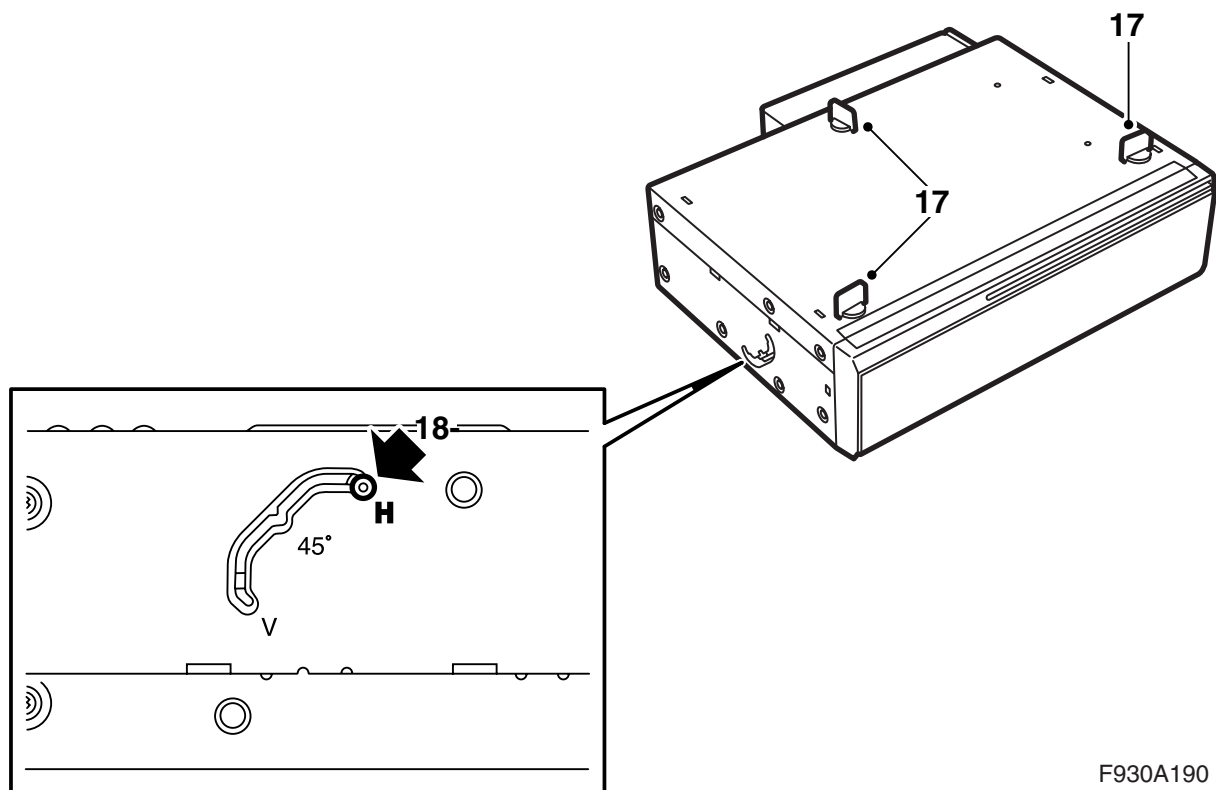
**DVD player connector:** Plug one of the accessory kit fibre optic cable connections into position 1 in the accessory kit connector. Fit the locking clip.

14 **Amplifier connector:** Plug the other accessory kit fibre optic cable connection into position 1 in the amplifier connector. Fit the locking clip.

**DVD player connector:** Plug the other accessory kit fibre optic cable connection into position 2 in the DVD player connector. Fit the locking clip.

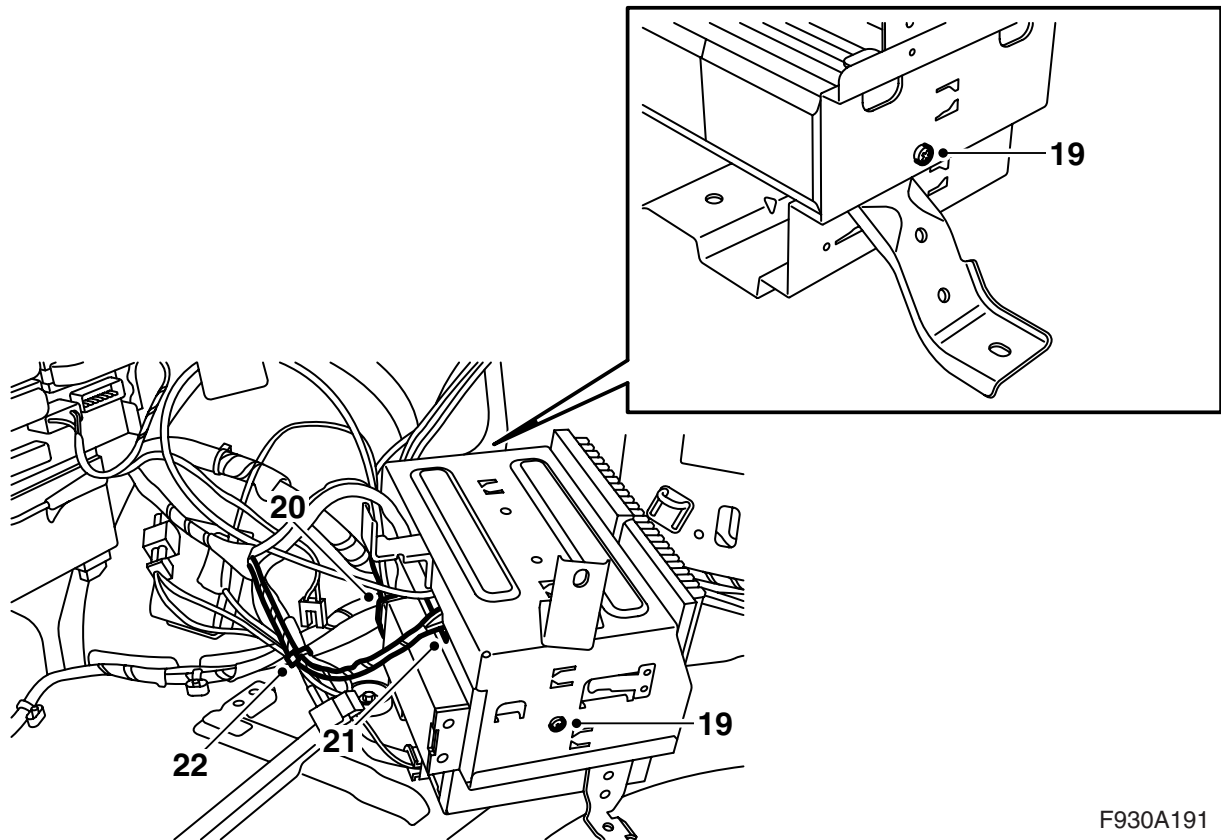
15 Plug the small connector into the large amplifier/DVD player connector.

16 Plug the small connector into the large CD changer connector.



F930A190

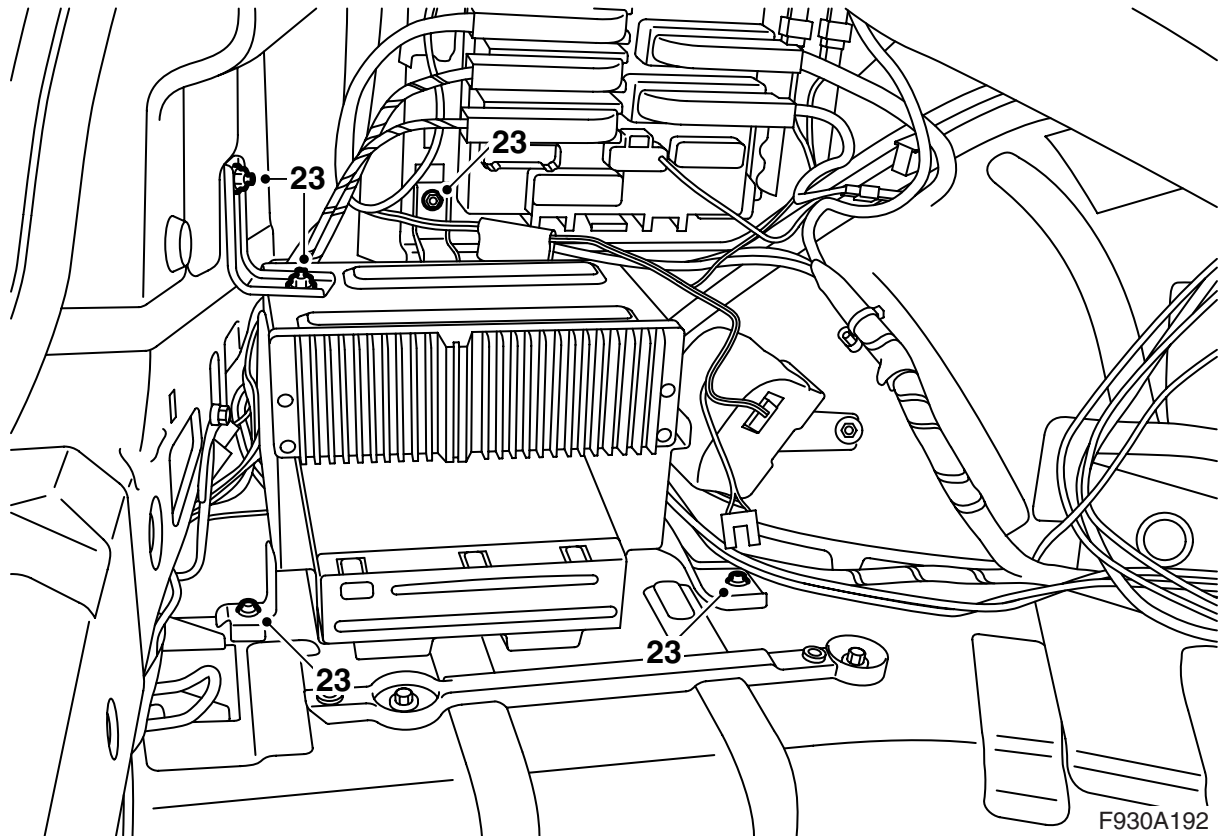
- 17 Remove the three red transport fuses from the CD changer.
- 18 Check the CD changer fitting position setting. Both sides of the CD changer must be set to position H.



F930A191

- 19 Fit the CD changer to the bracket.  
**Tightening torque 2 Nm (1.5 lbf ft)**
- 20 Attach the wiring harness to the CD changer and fit the cable tie clip in the bracket hole.
- 21 **Amplifier fitted to the bracket near the REC:**  
Plug in the amplifier connector.  
**DVD player only fitted to the bracket near the REC:** Plug in the DVD player connector.
- 22 Secure the CD changer wiring harness together with the unused connector in an appropriate location using the cable tie.





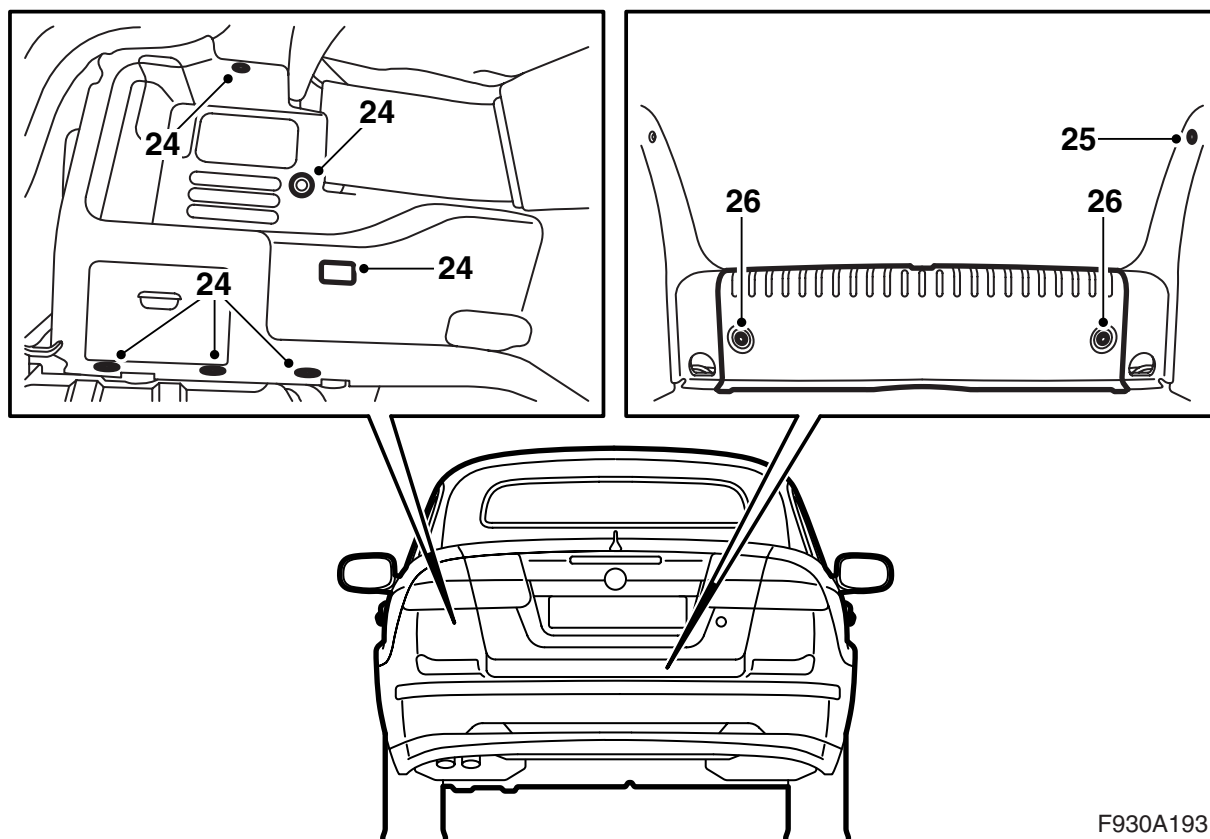
23 Fit the bracket. Tighten the nut on the bracket's top side.

---

### Important

Handle the fibre optic cables with care or the signal may be distorted.

- It is very important that the two leads in the connector are not confused with one another.
  - Do not bend the cable in a radius smaller than 25 mm.
  - Keep the cable ends free from dirt and grime.
  - The cable should not lie against any sharp edges as this may cause increased signal reduction.
-



F930A193

- 24 Fit the left-hand side trim, connect the luggage compartment lighting and hook the strap on. Fit the clips.
- 25 Fit the side scuff plate on the left-hand side.
- 26 Fit the scuff plate and fit the carpet on the luggage compartment floor.
- 27 Connect the battery negative cable.
- 28 Adjust the time and date.
- 29 Synchronise remote control code by inserting the key into the ignition.

---

### Important

Repeat this procedure with all keys. Otherwise, the remote controls will not function.

---

- 30 Activate window lift pinch protection function by operating the side windows up and down twice. An audible confirmation will sound when activation is complete.
- 31 Connect the diagnostic tool, select car and model year, select "All", select "Add/Remove", select the accessory and then "Add".

### Note

The diagnostic tool will on some occasions need to retrieve a security code in TIS. Information on what to do will be displayed on the diagnostic tool display.

- 32 Check that the system is working.