

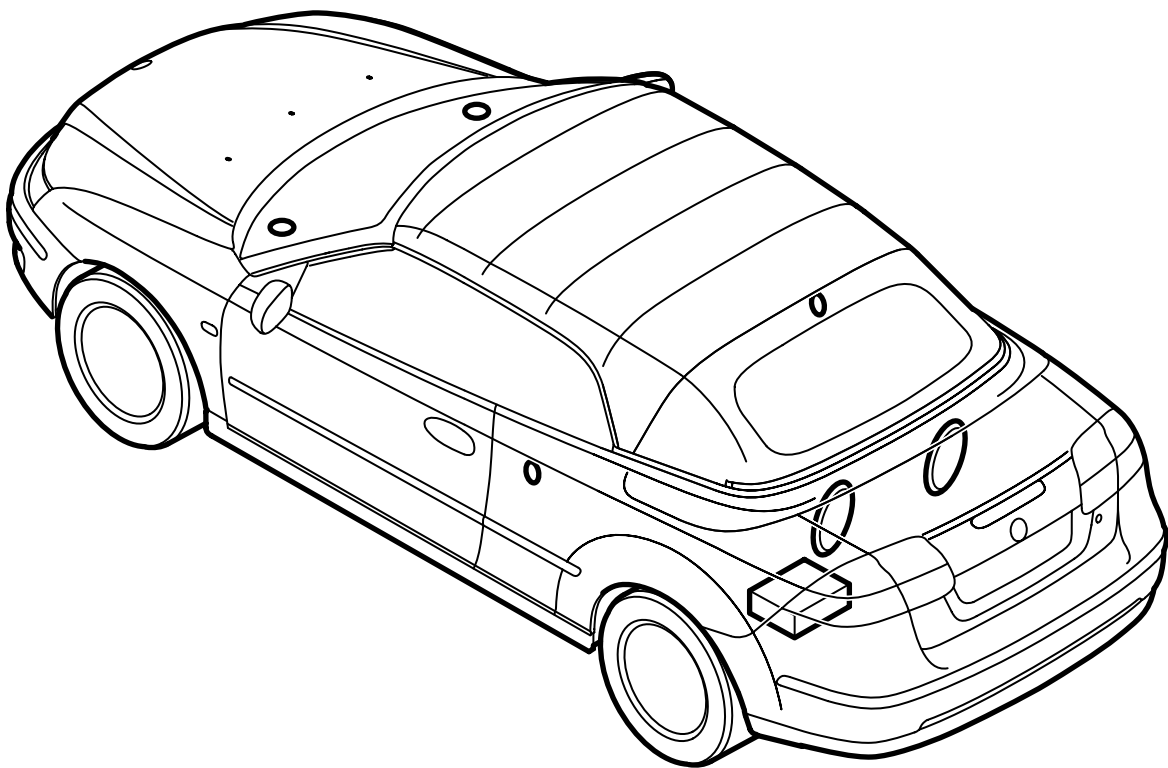


**MONTERINGSANVISNING · INSTALLATION INSTRUCTIONS
MONTAGEANLEITUNG · INSTRUCTIONS DE MONTAGE**

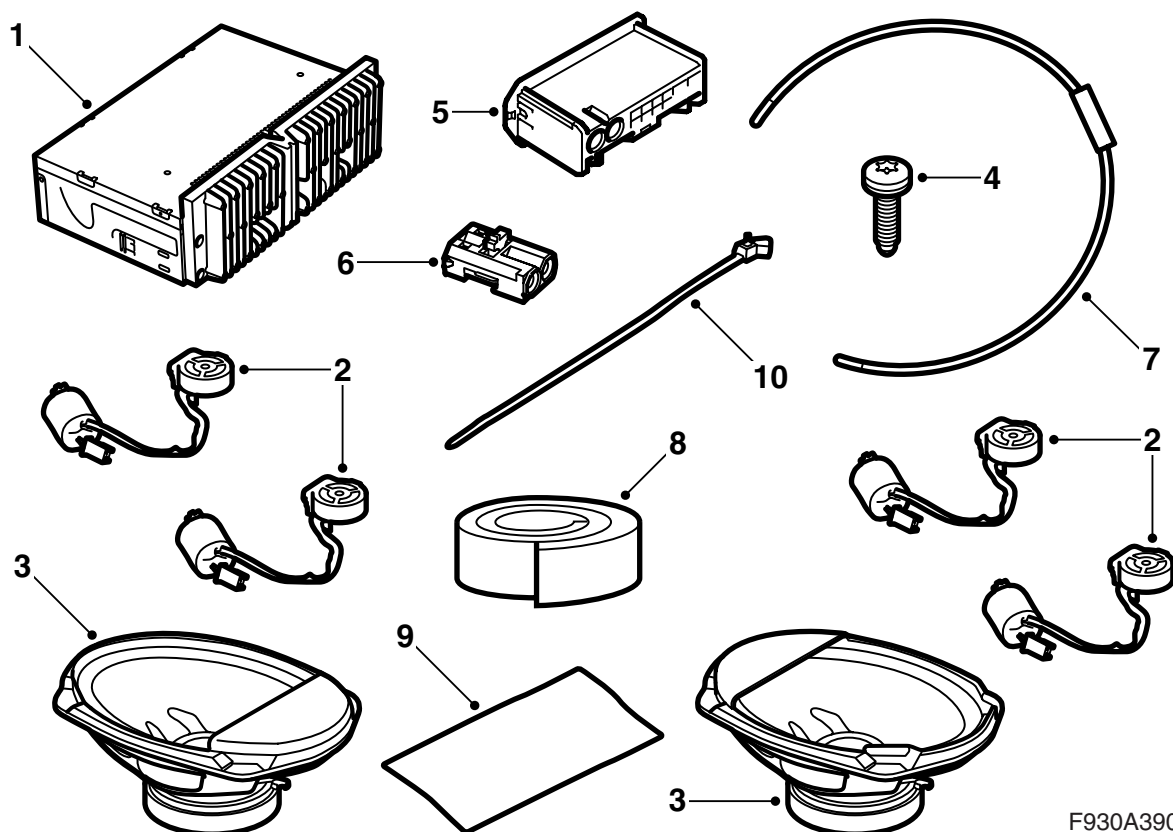
Saab 9-3 CV M04-

Upgrade to Prestige 300 sound system

Accessories Part No.	Group	Date	Instruction Part No.	Replaces
12 832 504 32 000 555	9:36-26	Mar 05	12 832 514	12 832 514 Jul 04



F930A205

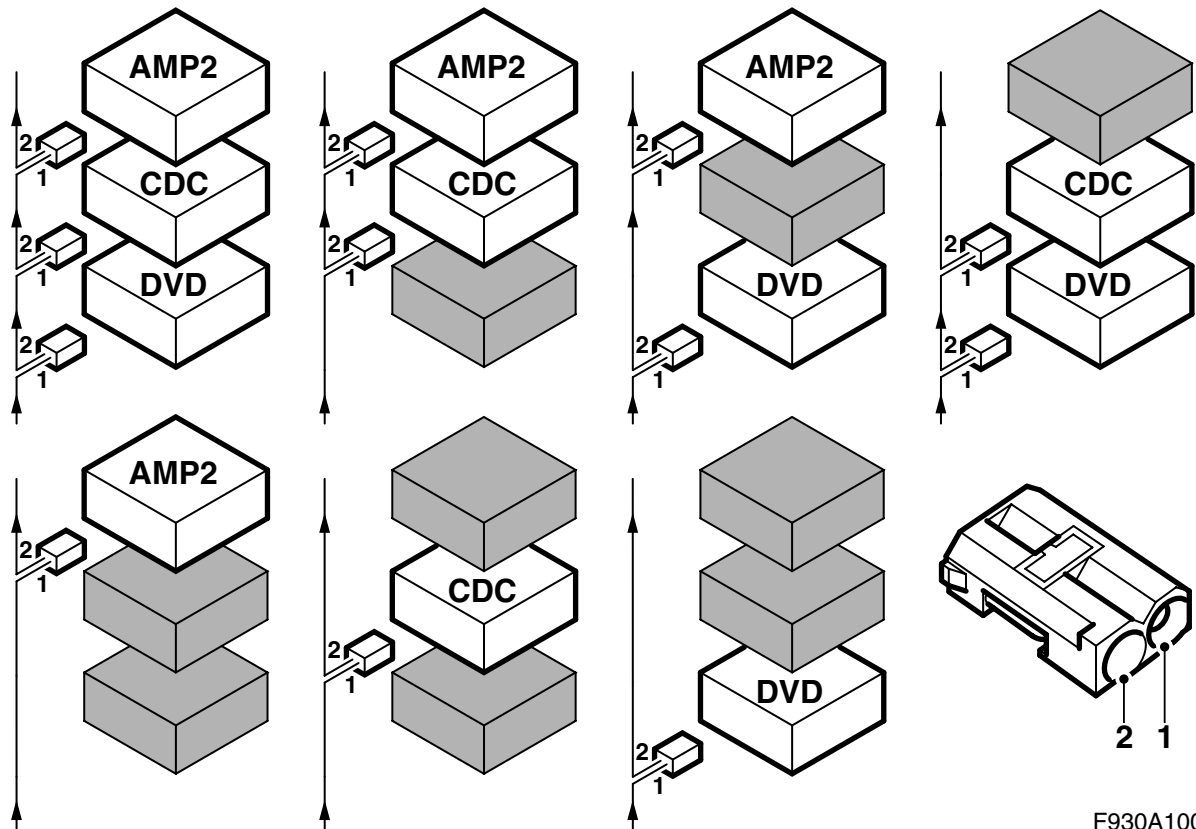


F930A390

- 1 Amplifier
- 2 Treble speaker (x4)
- 3 Bass speaker (x2)
- 4 Screw (x8)
- 5 Cover, connector housing
- 6 Optical cable connector, 2-pin
- 7 Fibre optic cable (x3)
 - Between the units in the luggage compartment console (455 mm long)
 - Amplifier - bracket, luggage compartment (1850 mm long)
 - Bracket, luggage compartment - Torsion compartment (1195 mm long)
- 8 Sound insulation, rubber strip
 - 2100 mm
 - 850 mm
 - 750 mm (x2)
- 9 Sound insulation, felt cloth (x2)
- 10 Cable tie (x7)

In addition, the following items are required (ordered separately)

Console for equipment in the luggage compartment (certain cars)



F930A100

Bus Communication

Many parts of the car's electrical system communicate using a bus. There are three types of bus communication: P-bus (Powertrain Bus), I-bus (Instrument Bus) and O-bus (Optical bus). The audio system communicates via the O-bus together with the navigation system, the telephone system and others.

The O-bus is optical and is a ring bus. Two fibre optical cables are connected to each control module on the bus, one fibre optical cable for receiving and one for sending. Messages received are converted by each control module from a fibre optic signal to electrical and then converted back to optical for sending. The O-bus data transfer rate is 25 Mbit/s.

Important

It is very important that everything connected to the O-bus is connected in a specific order, see illustration, and that the ring is closed the whole time.

Connection in any other way than that described in these fitting instructions may result in several of the car's systems failing to work.

AMP1 is an amplifier behind the left-hand rear side trim

AMP2 is an amplifier by the REC

CDC is a CD changer by the REC

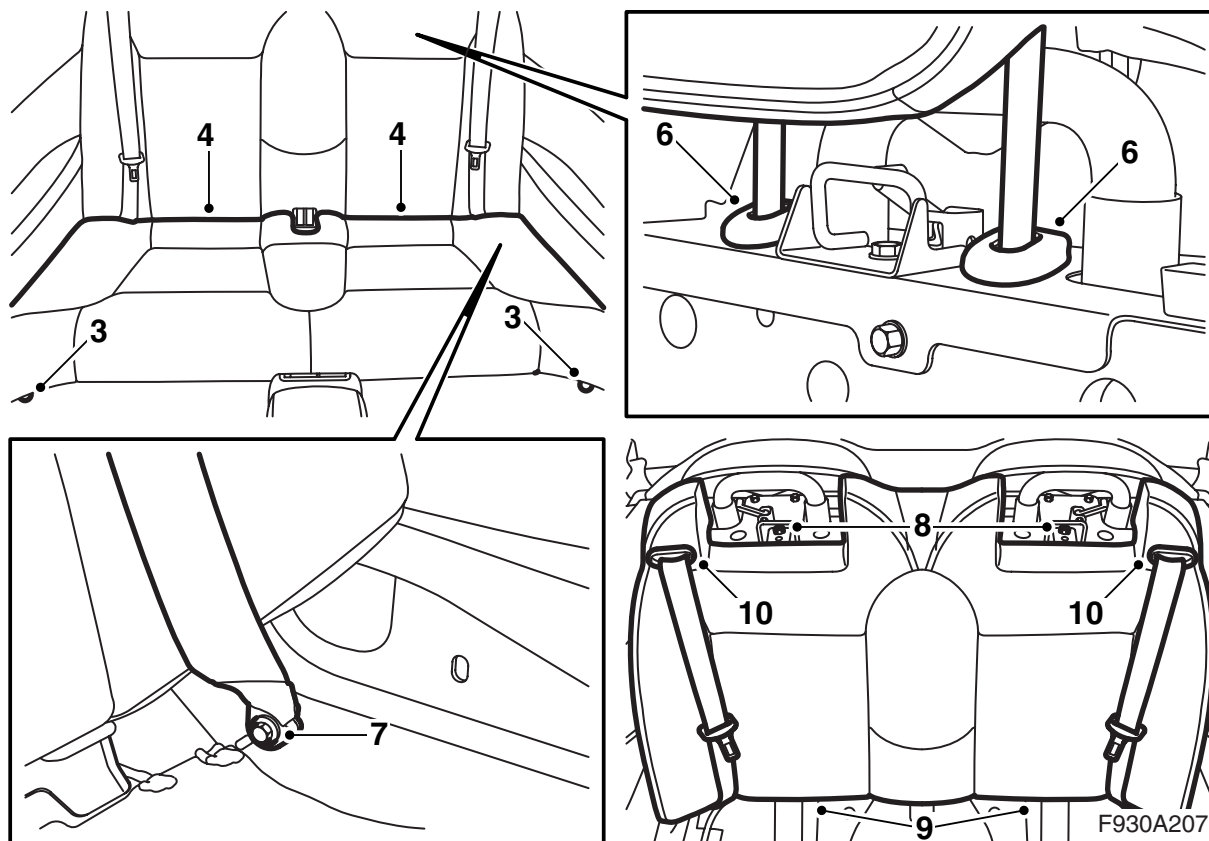
DVD is a DVD player by the REC

When fitting new equipment to be connected to the O-bus it is important that it is connected into the correct side of the existing equipment.

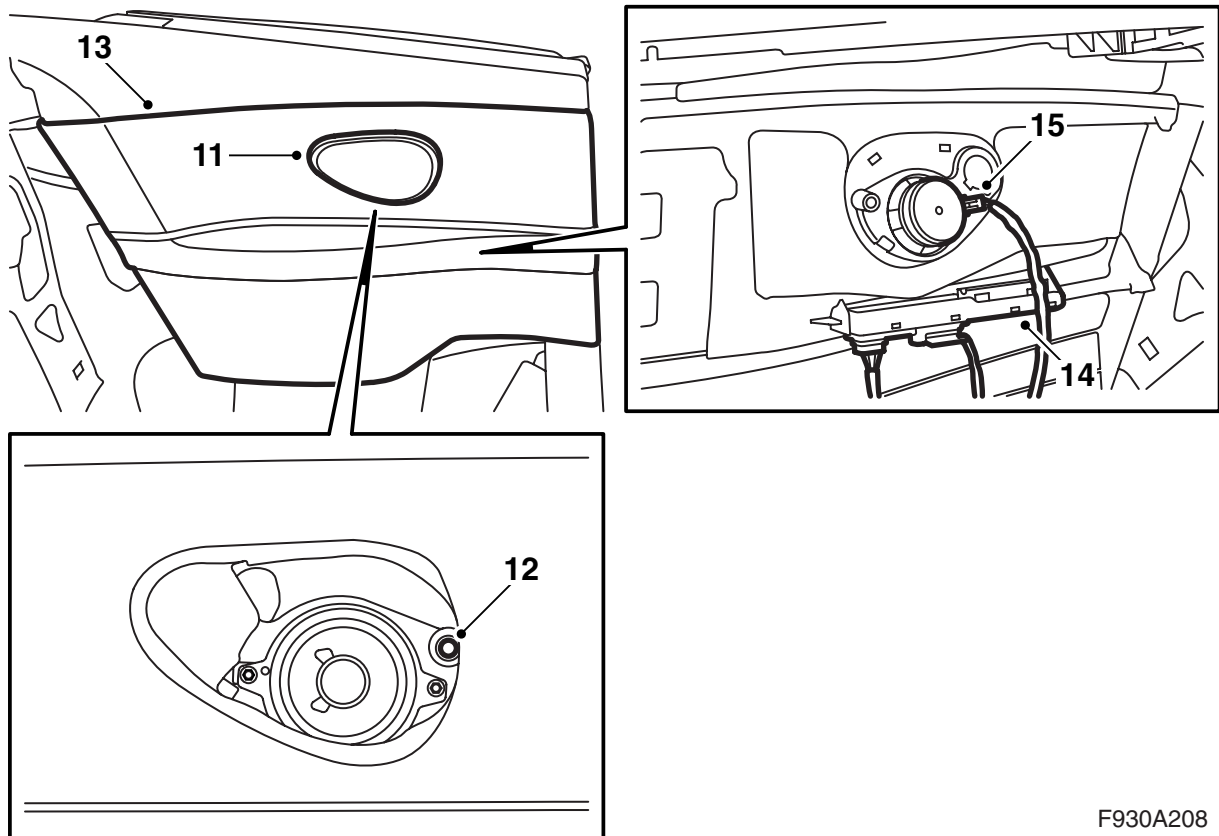
Important

Handle the fibre optic cables with care or the signal may be distorted.

- It is very important that the two leads in the connector are not confused with one another.
- Do not splice the cables.
- Do not bend the cable in a radius smaller than 25 mm.
- Do not expose the cable to temperatures exceeding 85°C.
- Keep the cable ends free from dirt and grime.
- Do not expose the cable to impact as this may cause the transparent plastic to whiten, thereby reducing the intensity of the light and causing possible communication interruptions.
- The cable should not lie against any sharp edges as this may cause increased signal reduction.

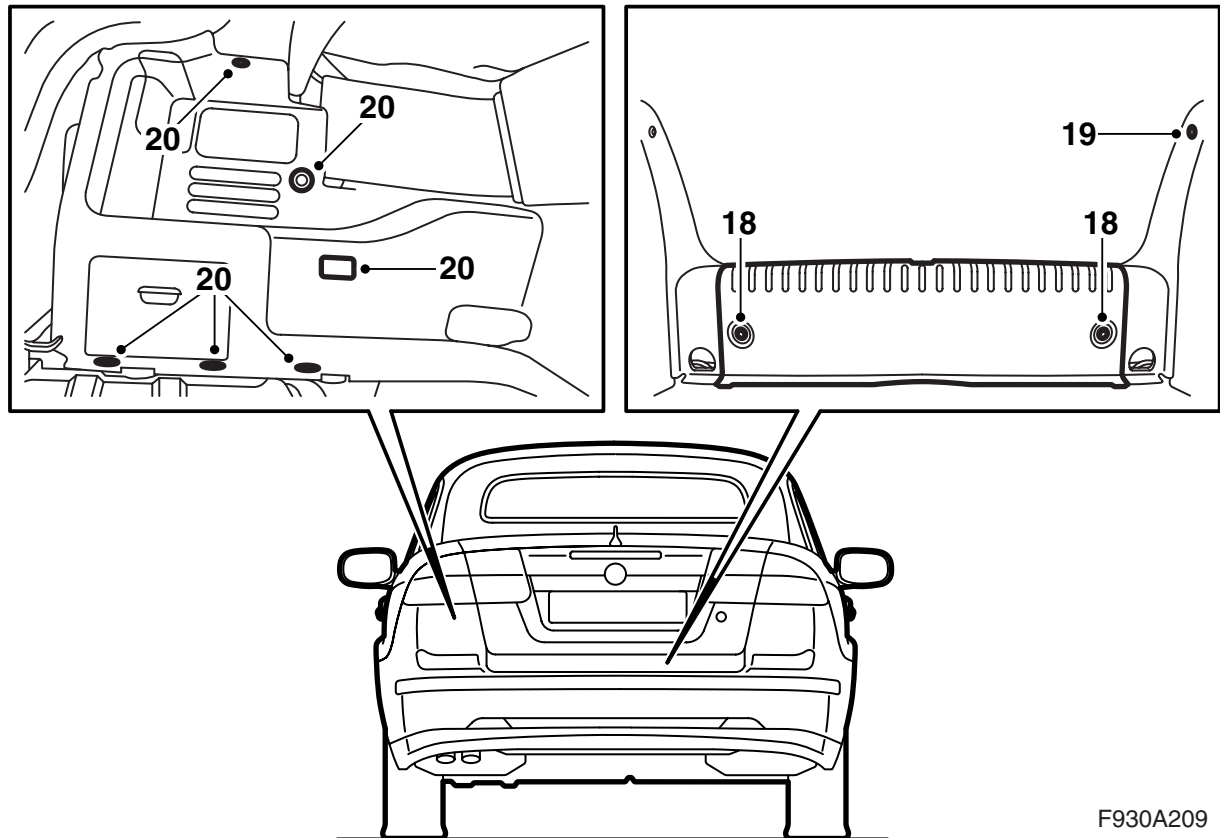


- 1 Fold down the soft top completely, but allow the soft top cover to remain open.
- 2 Open the rear side window on the left-hand side completely.
- 3 Remove the screws which hold the rear seat cushion at the front edge.
- 4 Lift up the cushion and pull it forwards so that it loosens.
- 5 Pull up both of the rear head restraints to the highest position.
- 6 Press in the lock on the head restraints' sleeves. Hold the lock pressed in and remove the head restraints.
- 7 Remove the screws for the seat belts' lower mounting.
- 8 Remove the two screws for the backrest cushion upper mounting.
- 9 Pull the backrest cushion lower section forwards and lift the backrest cushion upwards.
- 10 Press out the seat belt guide from the backrest cushion and move the seat belt out from the guide and the backrest cushion.



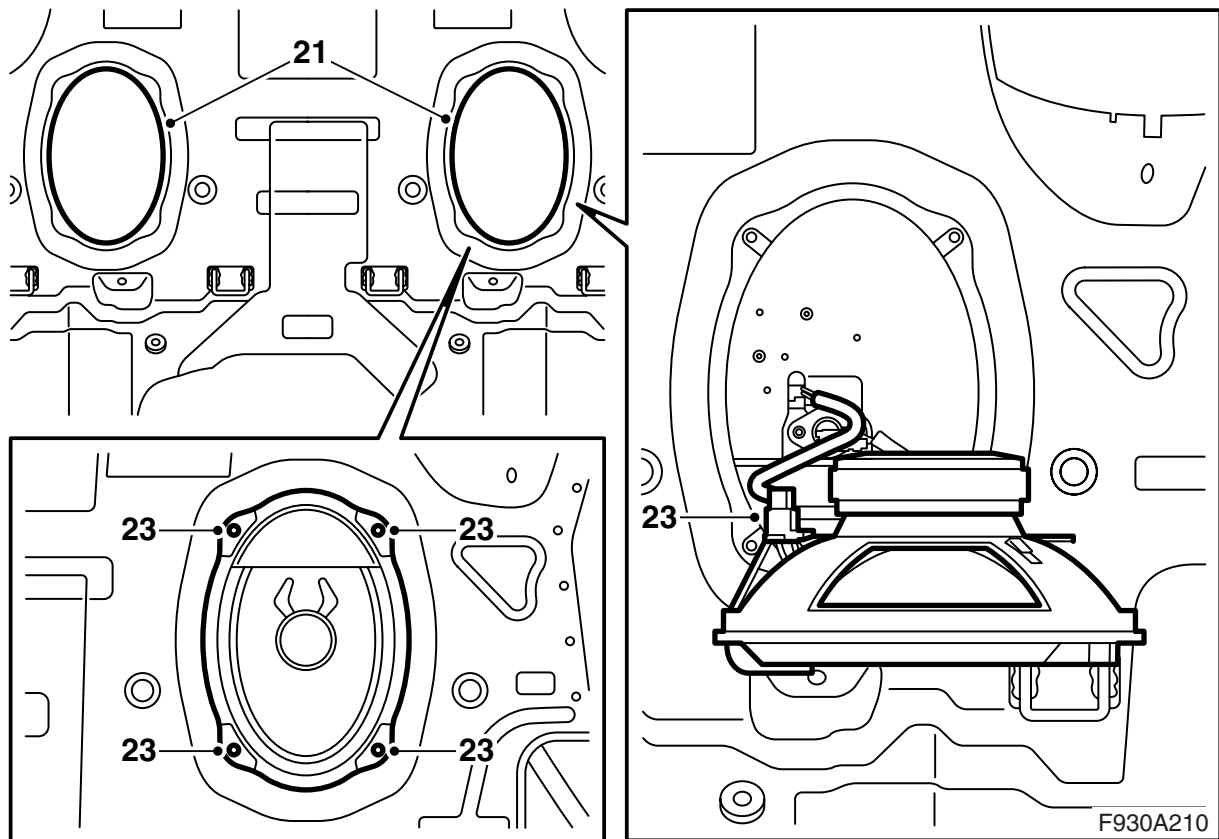
F930A208

- 11 Carefully remove the speaker grille from the left-hand rear side trim. Use removal tool 82 93 474.
- 12 Remove the screw that holds the rear side trim on the left-hand side.
- 13 Lift the side trim upwards. Retain the rubber protectors.
- 14 Unhook the control module from the side trim, but do not remove the control module connector as this means a diagnostic trouble code being generated.
- 15 Remove the speaker connector and remove the side trim.



F930A209

- 16 Raise the soft top and open the boot lid.
- 17 Remove the battery's minus cable and take the key from the ignition.
- 18 Remove the carpet on the luggage compartment floor and remove the luggage compartment scuff plate.
- 19 Remove the side scuff plate on the left-hand side.
- 20 Remove the clips for the left-hand side trim and fold the trim aside. Unhook the strap on the rear side of the side trim and remove the connector from the luggage compartment lighting. Remove the side trim.



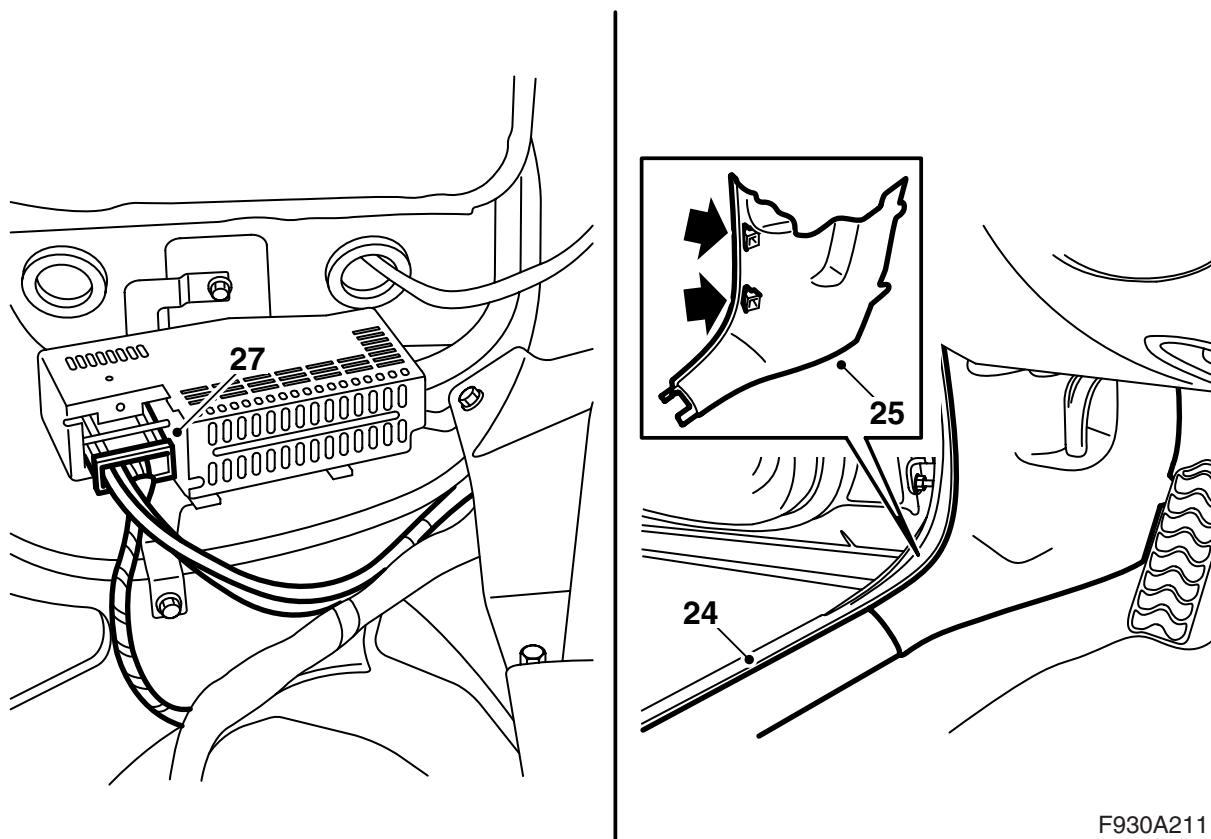
- 21 Remove the bass speakers' covers.
22 Locate the bass speakers' connectors.
23 Connect and fit the bass speakers.

Important

The speakers must be fitted with the cover at the top.

Cars without console by the REC: Continue with step 24.

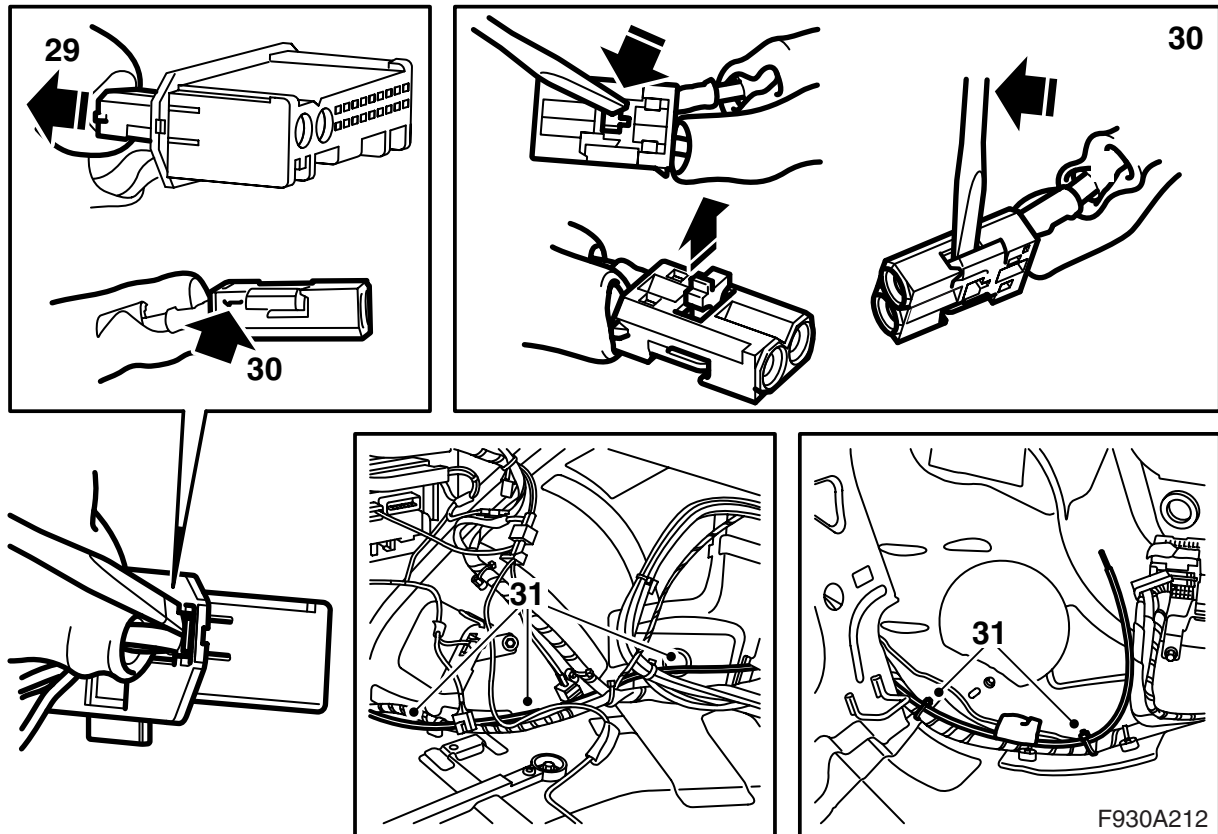
Cars where the console at the REC is fitted: Continue with step 54.



F930A211

Cars without console by the REC

- 24 Remove the scuff plate on the left-hand side of the car.
- 25 Remove the lower section of the A-pillar trim on the left-hand side.
- 26 Position the left-hand front seat in its most forward position and fold the backrest forwards.
- 27 Remove the connector from the amplifier.



Cars without console by the REC

- 28 Locate the green marked fibre optic cable by the amplifier.

If there is no colour marking and if there is no console by the REC: Follow the description in steps 50 and 51 in these installation instructions, shine a light onto the fibre optic cable by the amplifier and note the fibre optic cables in the luggage compartment in order to identify the fibre optic cable in question. Mark using a piece of tape.

Important

Handle the fibre optic cables with care or the signal may be distorted.

- It is very important that the two leads in the connector are not confused with one another.
- Do not bend the cable in a radius smaller than 25 mm.
- Keep the cable ends free from dirt and grime.
- Do not expose the cable to impact as this may cause the transparent plastic to whiten, thereby reducing the intensity of the light and causing possible communication interruptions.
- The cable should not lie against any sharp edges as this may cause increased signal reduction.

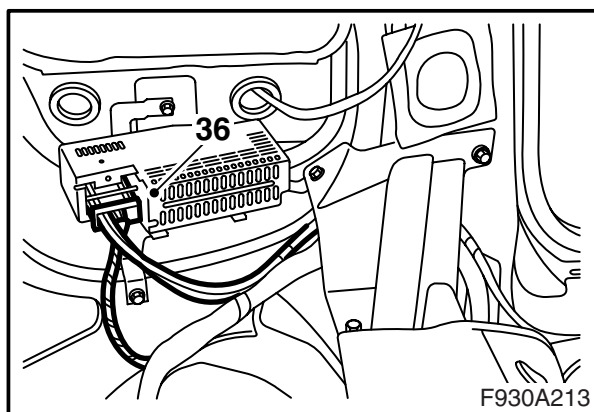
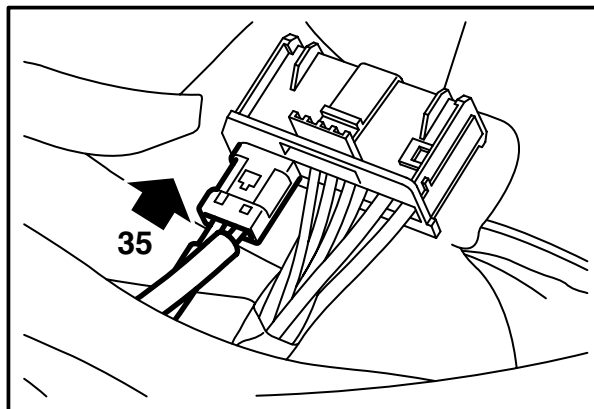
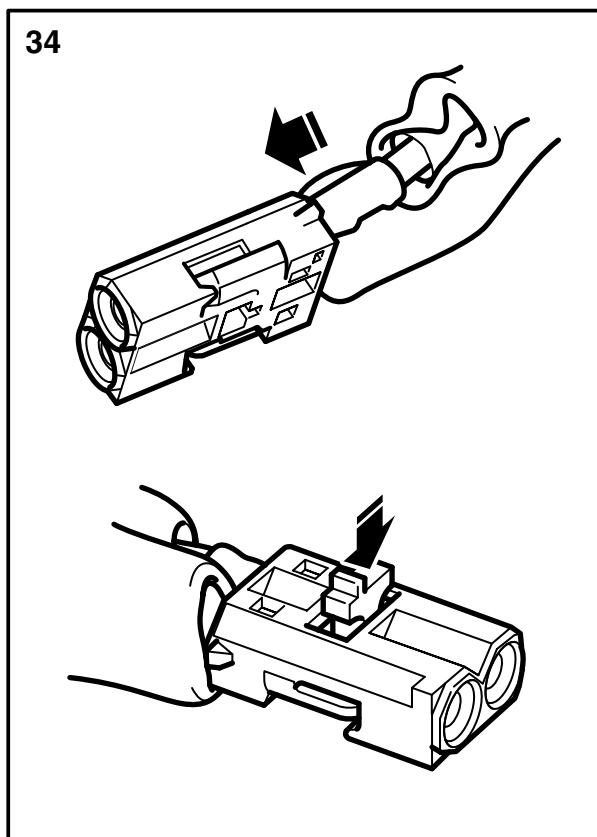
- 29 Remove the fibre optic cables' connector (the small connector) from the amplifier's connector.

- 30 Remove the fibre optic cable connected to position 1 by opening the connector locking clip and carefully lifting the hook.

- 31 Position the kit's fibre optic cable along the car's existing wiring harness from the amplifier to the REC.

- 32 Remove the protector from the connection on the kit's fibre optic cable.

- 33 Fit the protective cover onto the removed fibre optic cable connection and carefully move the fibre optic cable aside in order to prevent damage.



Cars without console by the REC

- 34 Check that the fibre optic cable cannot bend and fit the connection on the fibre optic cable in position 1 in the small connector to the amplifier. Fit the lock.

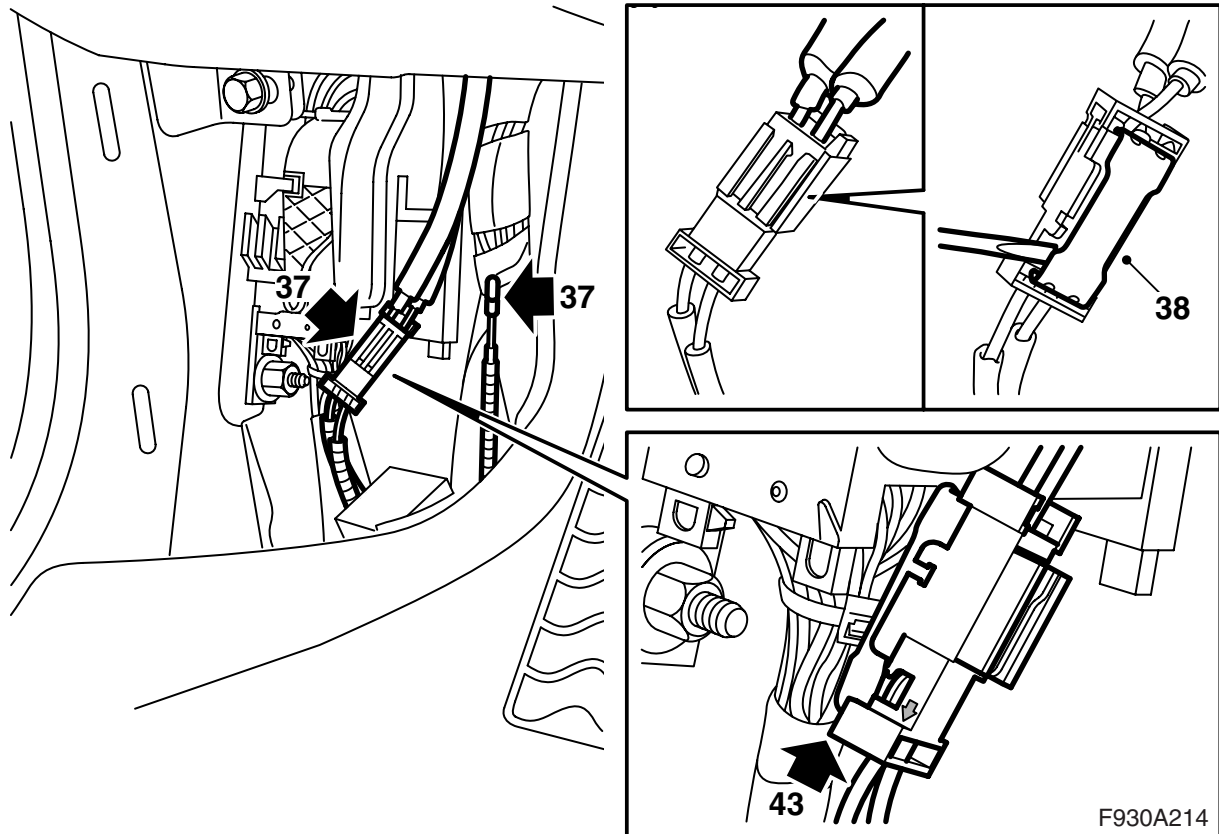
Important

Handle the fibre optic cables with care or the signal may be distorted.

- It is very important that the two leads in the connector are not confused with one another.
- Do not bend the cable in a radius smaller than 25 mm.
- Keep the cable ends free from dirt and grime.
- Do not expose the cable to impact as this may cause the transparent plastic to whiten, thereby reducing the intensity of the light and causing possible communication interruptions.
- The cable should not lie against any sharp edges as this may cause increased signal reduction.

- 35 Fit the small connector to the large connector.

- 36 Connect the amplifier.



Cars without console by the REC

- 37 Locate the loose fibre optic cable and the connector with the fibre optic cables connected by the left-hand A-pillar (taped to the cable duct).

WARNING

The visible red light is a class 1 laser. Do not look directly into the optical fibre or the control module connector at close range. A distance of less than 20 mm between your eyes and the light source may cause eye injury.

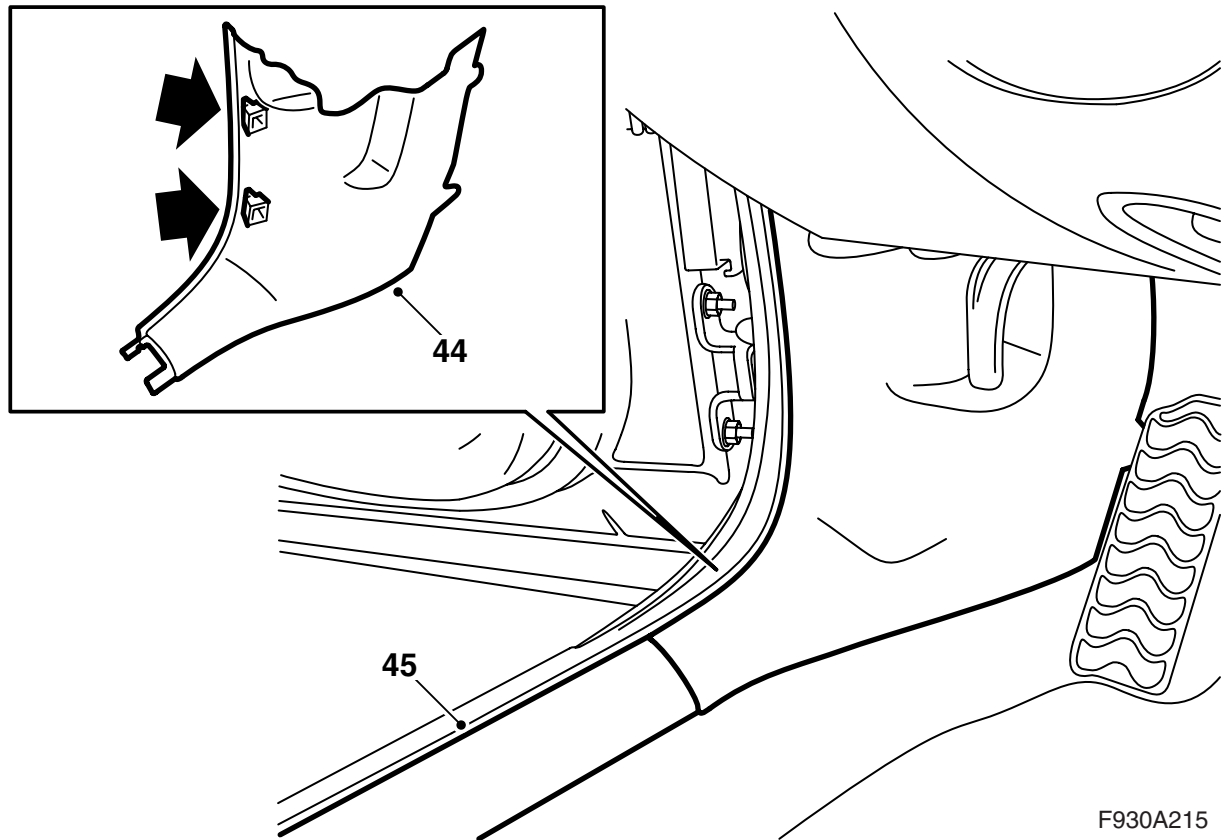
- 38 Lift up the connector lock tab.
39 Remove the fibre optic cable from the position in the connector where the arrow points outwards, to the fibre optic cable.

- 40 Remove the fixing tape from the loose fibre optic cable.
41 Remove the protective cover from the connection.
42 Fit the protective cover onto the removed fibre optic cable connection and carefully move the fibre optic cable aside in order to prevent damage, and position it behind the wiring harness.
43 Fit the connection on the new fibre optic cable in the connector and fit the lock tab.

Important

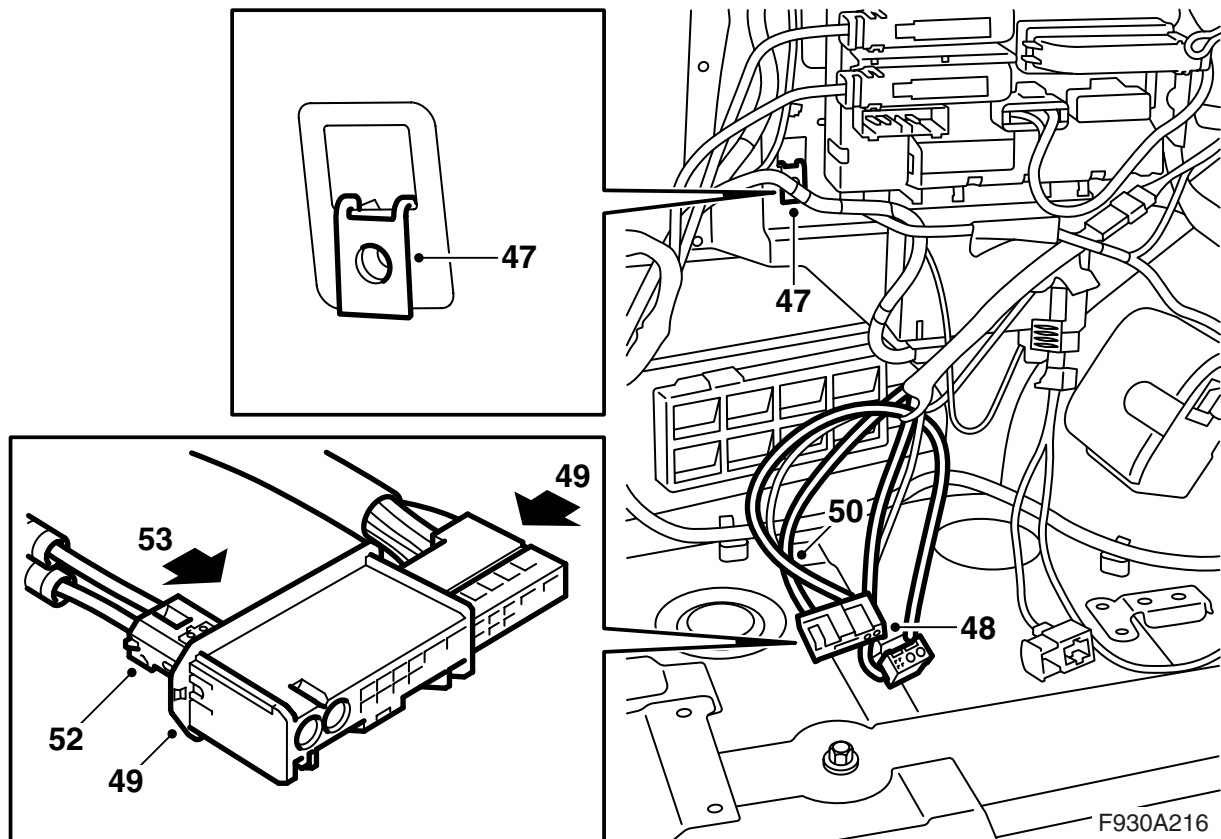
Handle the fibre optic cables with care or the signal may be distorted.

- It is very important that the two leads in the connector are not confused with one another.
- Do not bend the cable in a radius smaller than 25 mm.
- Keep the cable ends free from dirt and grime.
- The cable should not lie against any sharp edges as this may cause increased signal reduction.



Cars without console by the REC

- 44 Fit the A-pillar trim.
- 45 Fit the scuff plate.



Cars without console by the REC

- 46 Position the bracket in the luggage compartment.
- 47 Fit the clip nut in the square hole by the REC.
- 48 Locate the connector for the amplifier by the REC. Remove the tape and pull the connector forwards.
- 49 Fit the cover on the amplifier's connector.
- 50 Locate the fibre optic cable by the REC.
- 51 Remove the protective cover from the fibre optic cables' connections.

WARNING

The visible red light is a class 1 laser. Do not look directly into the optical fibre or the control module connector at close range. A distance of less than 20 mm between your eyes and the light source may cause eye injury.

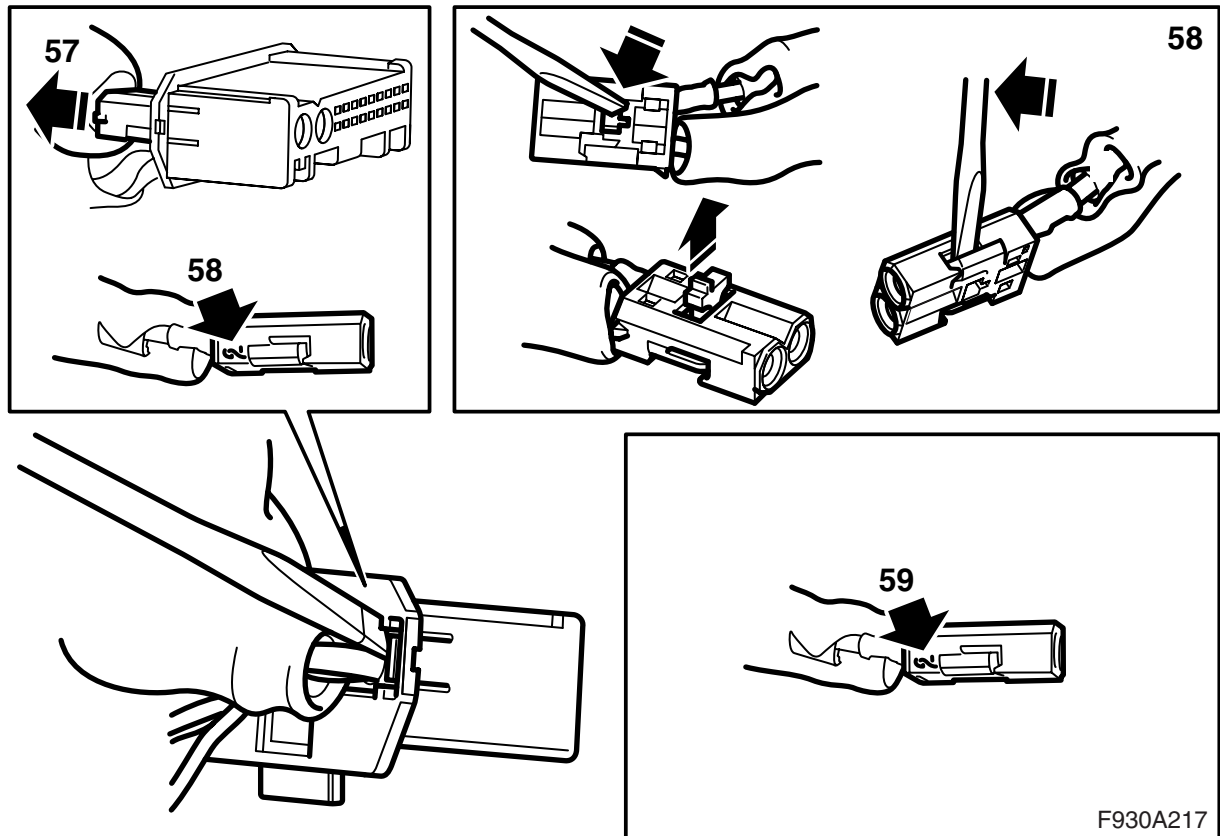
- 52 Fit the green-marked connection on the fibre optic cable in position 1 in the small connector and the unmarked connection on the fibre optic cable in position 2 in the small connector.

Important

For cars without green marked fibre optic cable the fibre optic cable marked with tape earlier must be fitted in position 2 and the other unmarked connection must be fitted in position 1.

Fit the lock.

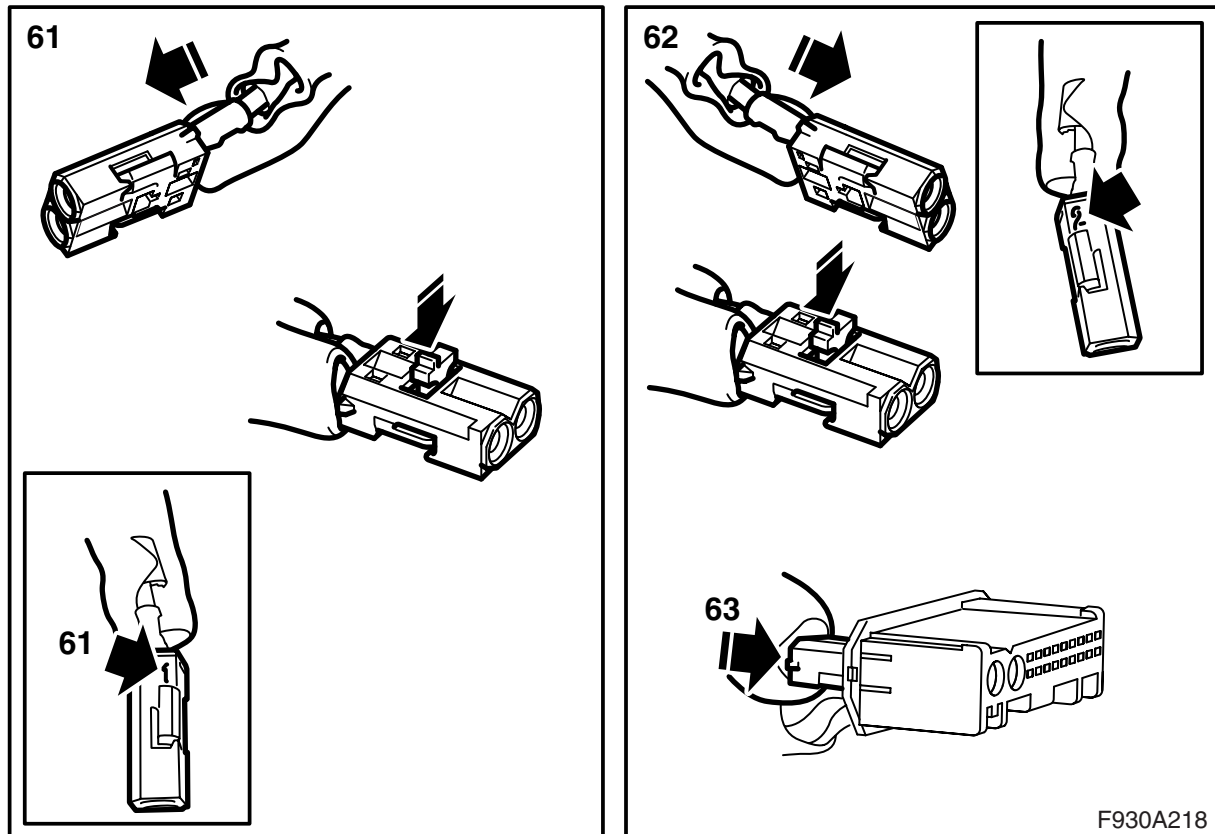
- 53 Fit the small connector to the large connector.
Proceed to step 65.



Cars where the bracket at the REC is fitted

- 54 Remove the bracket and take it out to facilitate access.
- 55 Locate the connector for the amplifier by the REC. Remove the tape and pull the connector forwards.
- 56 Fit the cover on the amplifier's connector.
- 57 **CD changer or DVD player is fitted by the REC:** Remove the CD changer / DVD player connector and remove the small connector from the large connector.
- CD changer and DVD player is fitted by the REC:** Remove the CD changer connector and remove the small connector from the large connector.
- 58 **CD changer and/or DVD player is fitted:** Remove the fibre optic cable connected to position 2 in the removed connector by opening the lock in the connector and carefully lifting the hook.
- 59 **CD changer and/or DVD player is fitted:** Fit the connection on the fibre optic cable in position 2 in the set's connector.
- 60 **CD changer and/or DVD player is fitted:** Remove the protective cover from the connections on the accessory set's fibre optic cable.

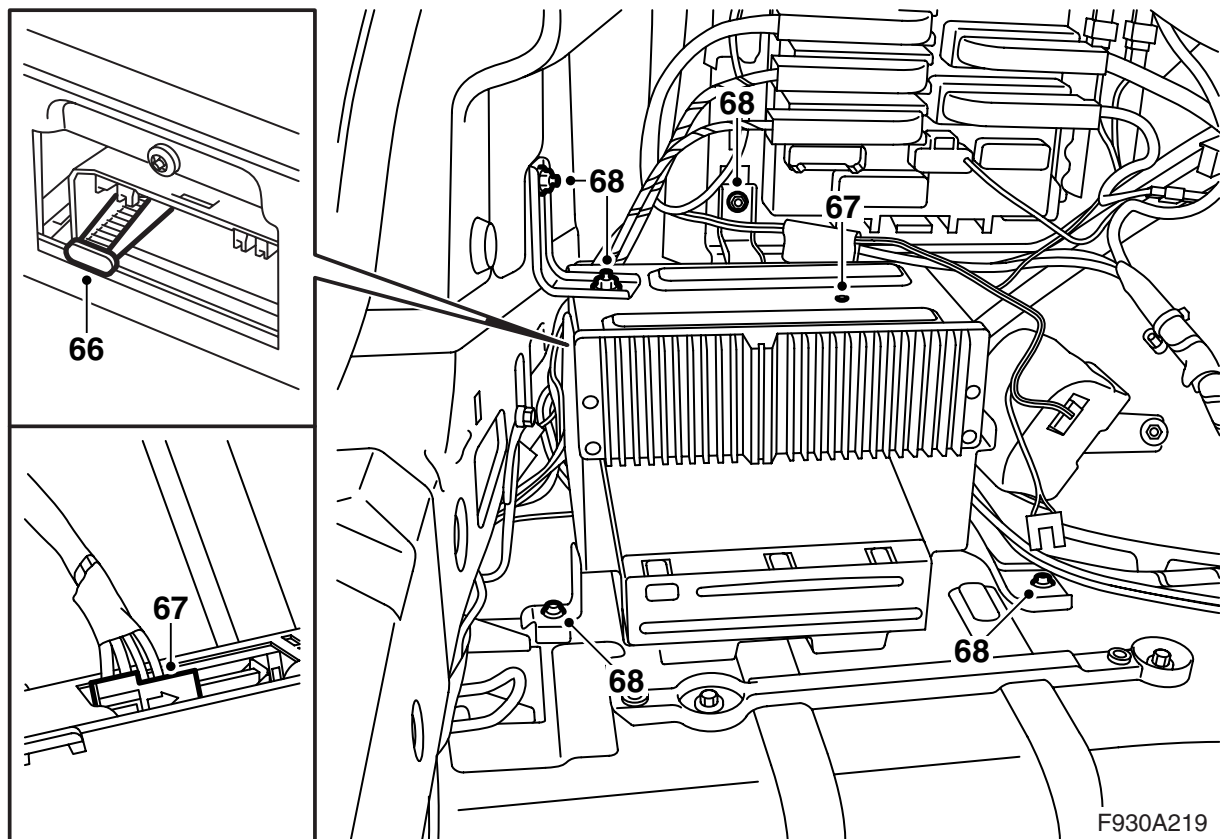
F930A217



F930A218

Cars where the bracket at the REC is fitted

- 61 **CD changer and/or DVD player is fitted:** Fit one connection on the set's fibre optic cable in position 1 in the set's connector. Fit the lock.
- 62 **CD changer and/or DVD player is fitted:** Fit the other connection on the set's fibre optic cable in position 2 in the removed connector. Fit the lock.
- 63 **CD changer and/or DVD player is fitted:** Fit the small connector in the large connector for the CD changer or DVD player.
- 64 **CD changer and/or DVD player is fitted:** Connect the CD changer or DVD player connector. Proceed to step 65.



65 Guide the connector for the amplifier through the bracket.

67 Fit the amplifier in the bracket, a clicking sound should be heard, connect the amplifier and align the bracket.

Important

Handle the fibre optic cables with care or the signal may be distorted.

- Do not bend the cable in a radius smaller than 25 mm.
- Do not expose the cable to impact as this may cause the transparent plastic to whiten, thereby reducing the intensity of the light and causing possible communication interruptions.
- The cable should not lie against any sharp edges as this may cause increased signal reduction.

66 Remove the protective cover over the fibre optic cable connection on the amplifier.

Important

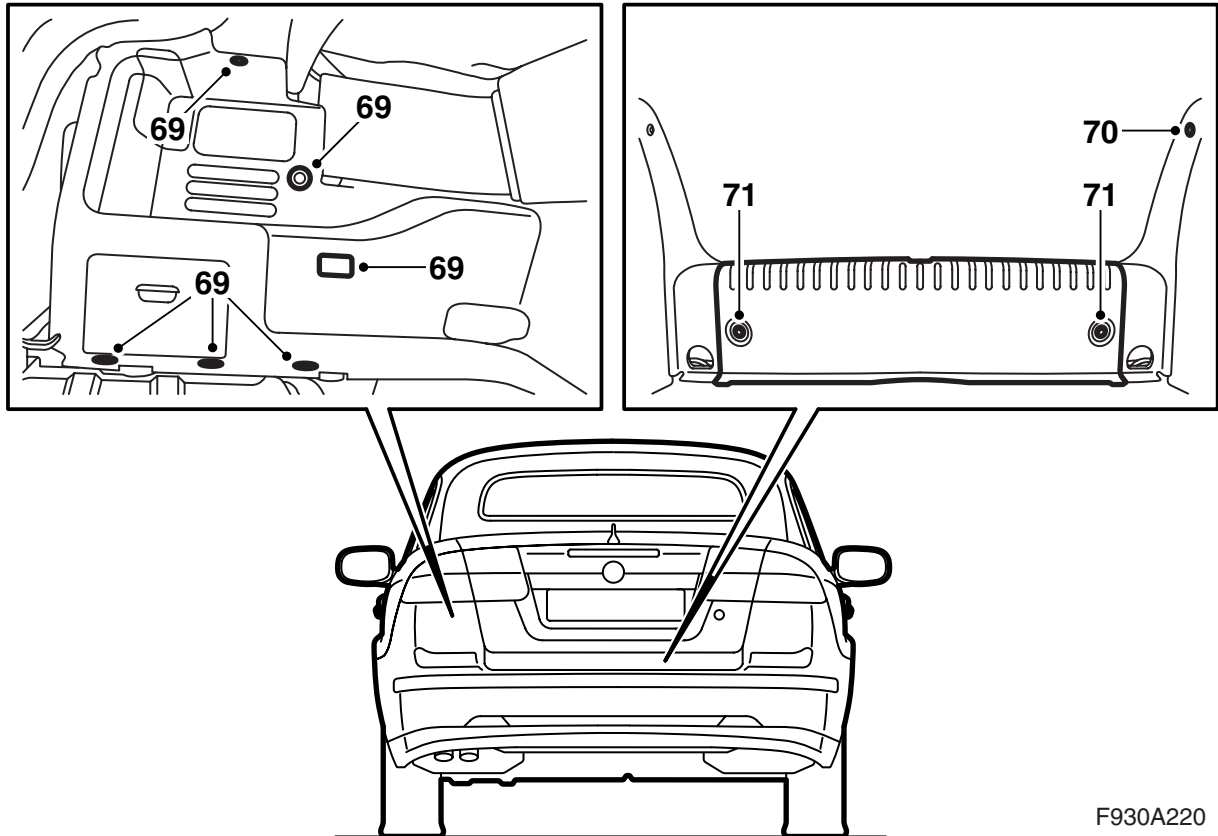
Handle the fibre optic cables with care or the signal may be distorted.

- It is very important that the two leads in the connector are not confused with one another.
- Do not bend the cable in a radius smaller than 25 mm.
- Keep the cable ends free from dirt and grime.
- The cable should not lie against any sharp edges as this may cause increased signal reduction.

68 Fit the bracket. Tighten the nut on the bracket's top side.

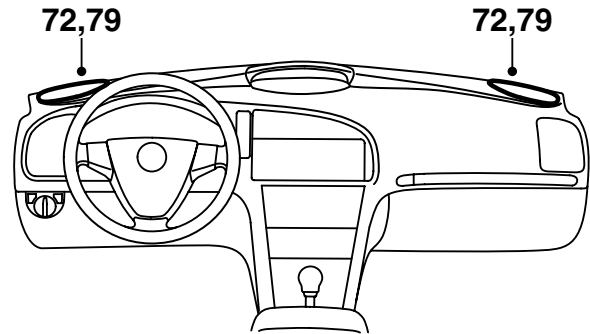
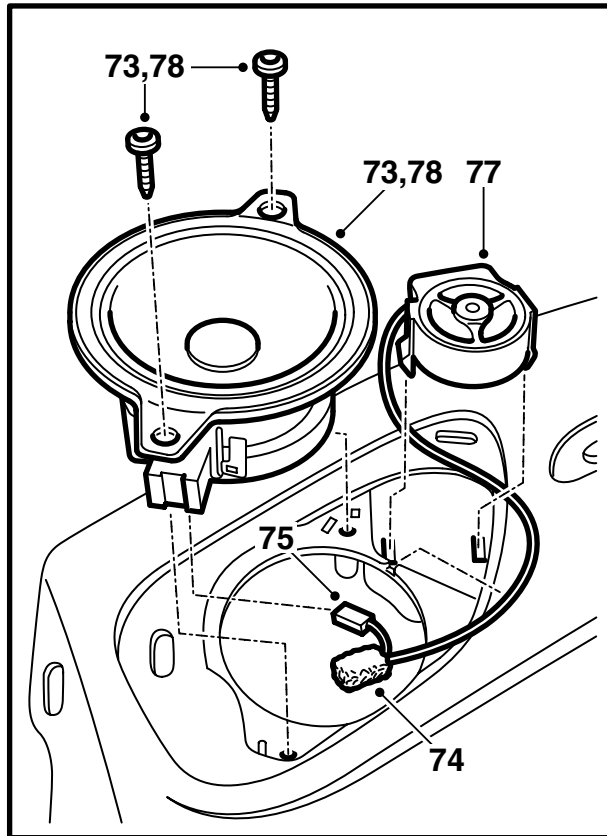
WARNING

The visible red light is a class 1 laser. Do not look directly into the optical fibre or the control module connector at close range. A distance of less than 20 mm between your eyes and the light source may cause eye injury.



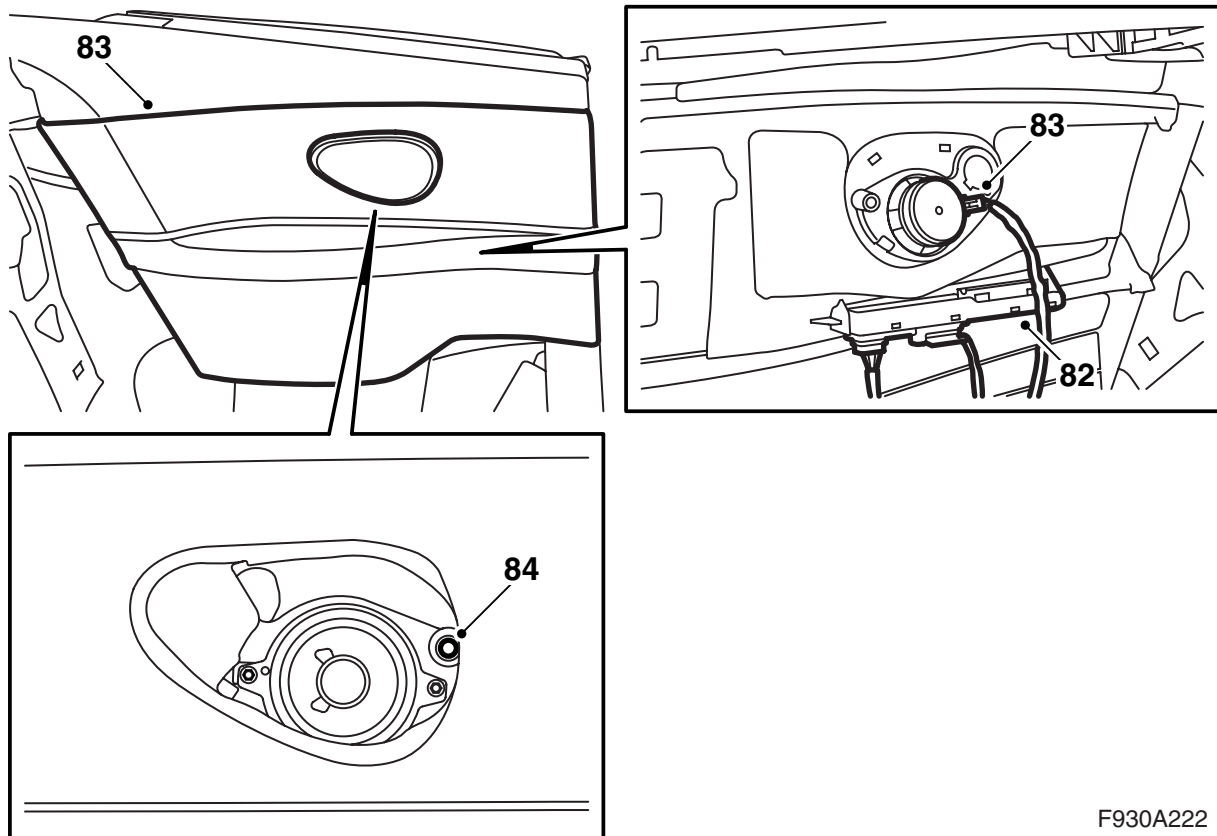
F930A220

- 69 Fit the left-hand side trim, connect the luggage compartment lighting and hook the strap on. Fit the clips.
- 70 Fit the side scuff plate on the left-hand side.
- 71 Fit the scuff plate and fit the carpet on the luggage compartment floor.



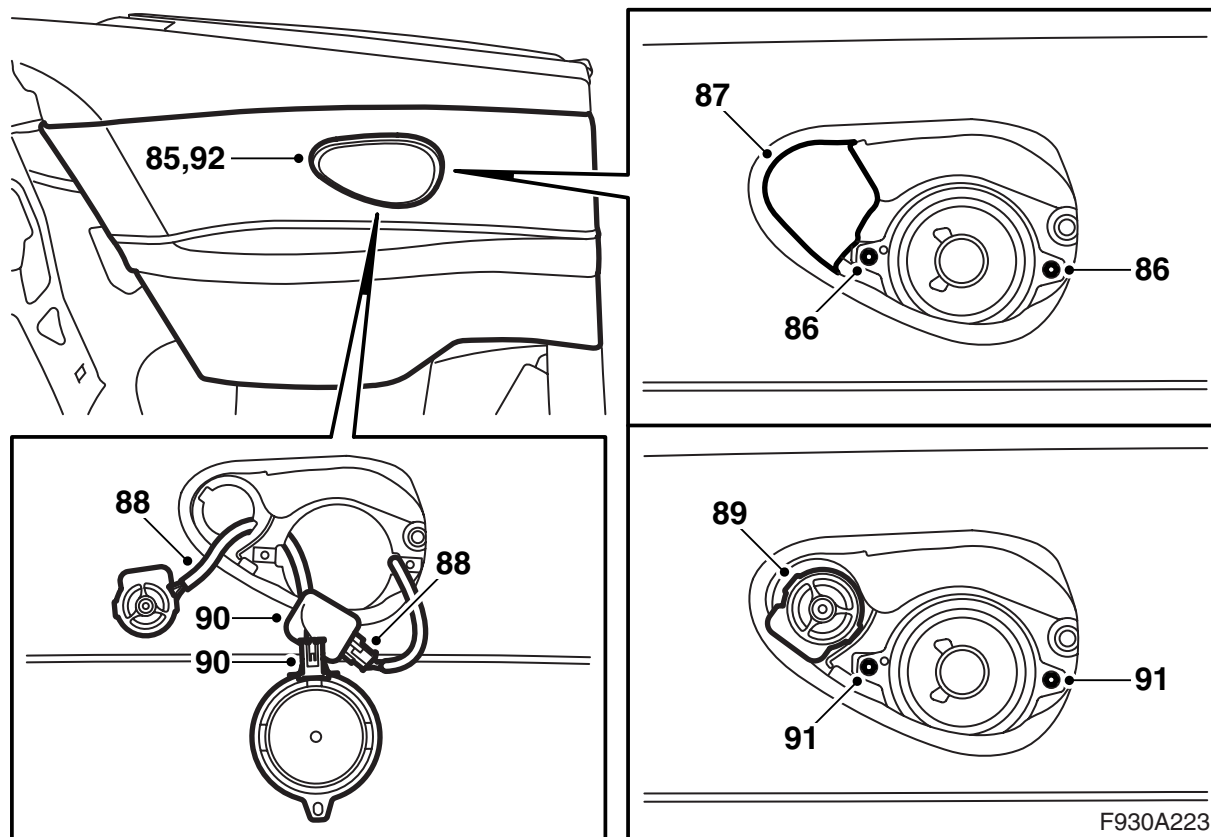
F930A221

- 72 Remove the front speaker grilles (tool 82 93 474 is recommended).
- 73 Remove the wide range speakers.
- 74 Remove the connector from the wide range speakers and connect the treble speakers. Guide the foam plastic sleeve over the connector.
- 75 Connect the connector from the treble speakers to the wide range speakers.
- 76 Guide down the wiring harness in the wide range speakers' holes and position the wiring harness for the treble speakers in the respective groove.
- 77 Fit the treble speakers by pressing them firmly into the holes.
- 78 Fit the wide range speakers.
- 79 Fit the speaker grilles.



F930A222

- 80 Connect the negative battery cable.
- 81 Fold down the soft top completely, but allow the soft top cover to remain open.
- 82 Check that the damp protection in the left-hand side trim is intact and replace if necessary.
- 83 Connect the speaker connector, fit the side trim and press it down. Check that the rubber protectors are in place.
- 84 Fit the screw that holds the side trim, fold the inner lip on the door opening seal over the side trim front edge and lift the bracket on the soft top cover seal over the side trim.

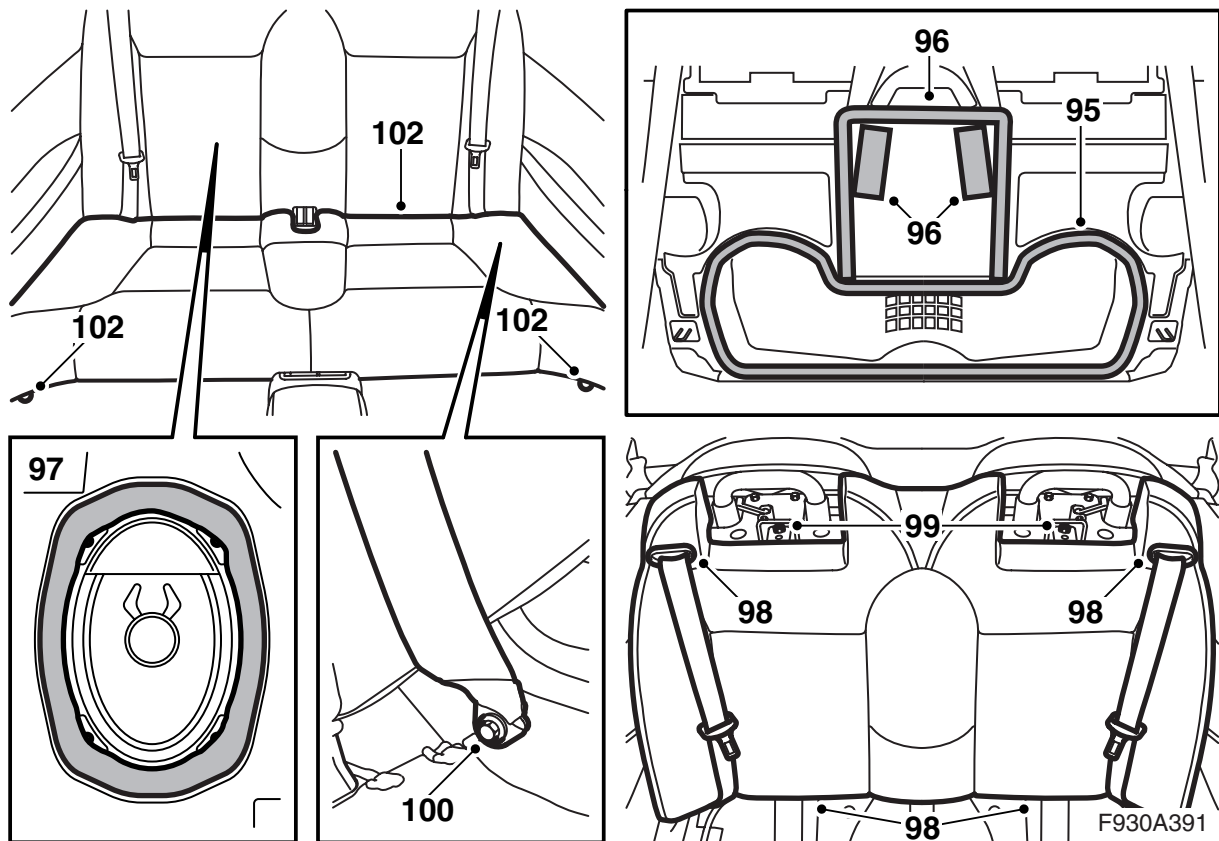


- 85 Carefully remove the speaker grille from the left-hand rear side trim. Use removal tool 82 93 474.
- 86 Undo the screws that hold the wide range speaker in the right-hand side trim. Remove the wide range speaker and remove the connector from the speaker.
- 87 Cut into the side trim for the treble speaker.
- 88 Fit in the treble speaker's wiring harness through the opening in the side trim and connect the connector to the connector for the wide range speaker.
- 89 Fit the treble speaker by pressing it securely into the side trim.

Note

The treble speakers must be fitted with the connections pointing in different directions.

- 90 Connect the wide range speaker and fit the foam rubber sleeve over the connector.
- 91 Fit the wide range speaker in the side trim.
- 92 Fit the speaker grille.
- 93 Repeat steps 85-92 on the right-hand side of the car.
- 94 Close the soft top cover.



- 95 Fit the sealing strip (2100 mm) on the back of the rear seat backrest.
- 96 Fit the sealing strip (850 mm) and the felt cloths on the back of the rear seat backrest.
- 97 Fit both sealing strips (750 mm) on the steel collars around the backrest speakers.
- 98 Fit the rear seat belts into the belt guide and fit the guides in the backrest cushions by pressing them in. Fit the backrest cushion from above and press it down securely.
- 99 Fit the two screws for the backrest cushion upper mounting.
- 100 Fit the screws for the seat belts' lower mounting.
- 101 Fit the rear head restraints in the sleeves.
- 102 Fit the seat cushion and fit the screws in the seat cushion front edge.
- 103 Adjust the time and date.
- 104 Synchronise remote control code by inserting the key into the ignition.

Important

Repeat this procedure with all keys. Otherwise, the remote controls will not function.

- 105 Activate window lift pinch protection function by operating the side windows up and down twice. An audible confirmation will sound when activation is complete.

- 106 Connect the diagnostic tool, select car and model year, select "All", select "Add/Remove", select the accessory and then "Add".

Note

The diagnostic tool will on some occasions need to retrieve a security code in TIS. Information on what to do will be displayed on the diagnostic tool display.

- 107 Check that the system is working.