

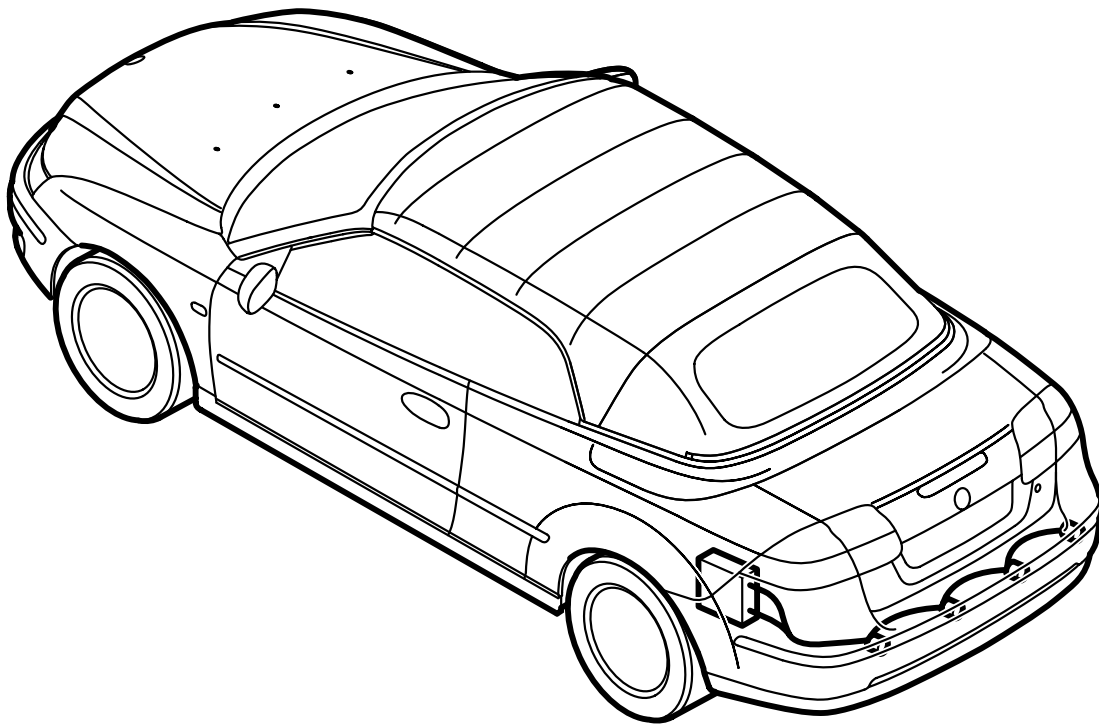


**MONTERINGSANVISNING · INSTALLATION INSTRUCTIONS
MONTAGEANLEITUNG · INSTRUCTIONS DE MONTAGE**

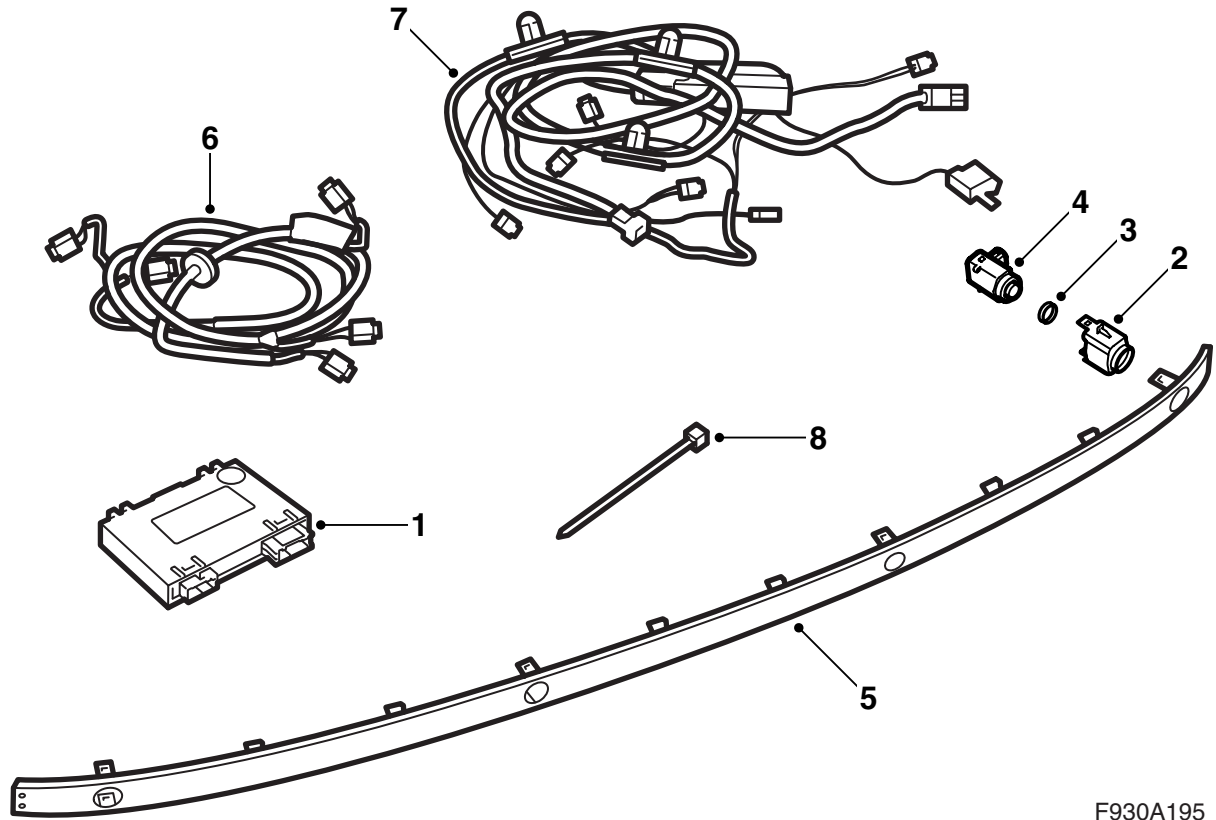
Saab 9-3 CV M04-

Parking assistance (SPA)

Accessories Part No.	Group	Date	Instruction Part No.	Replaces
12 832 509	9:40-04	Apr 03	12 832 519	

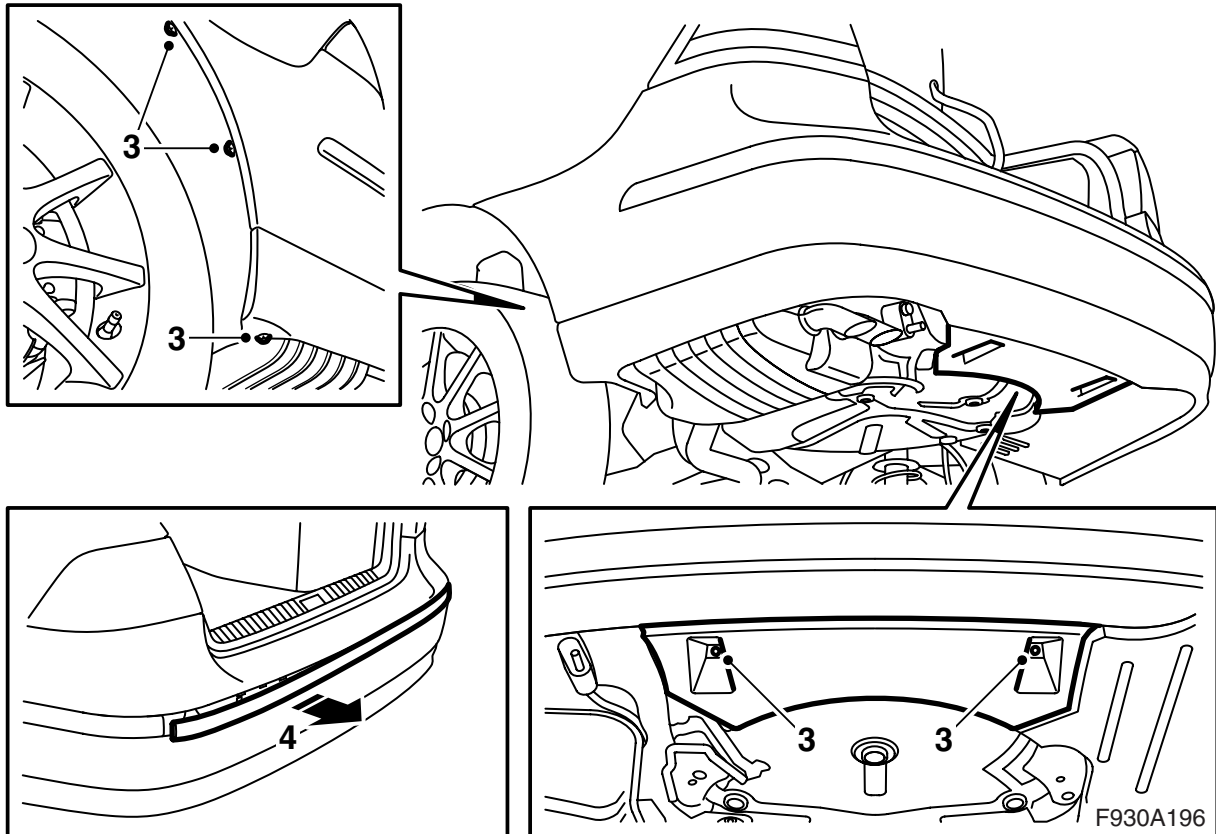


F930A194

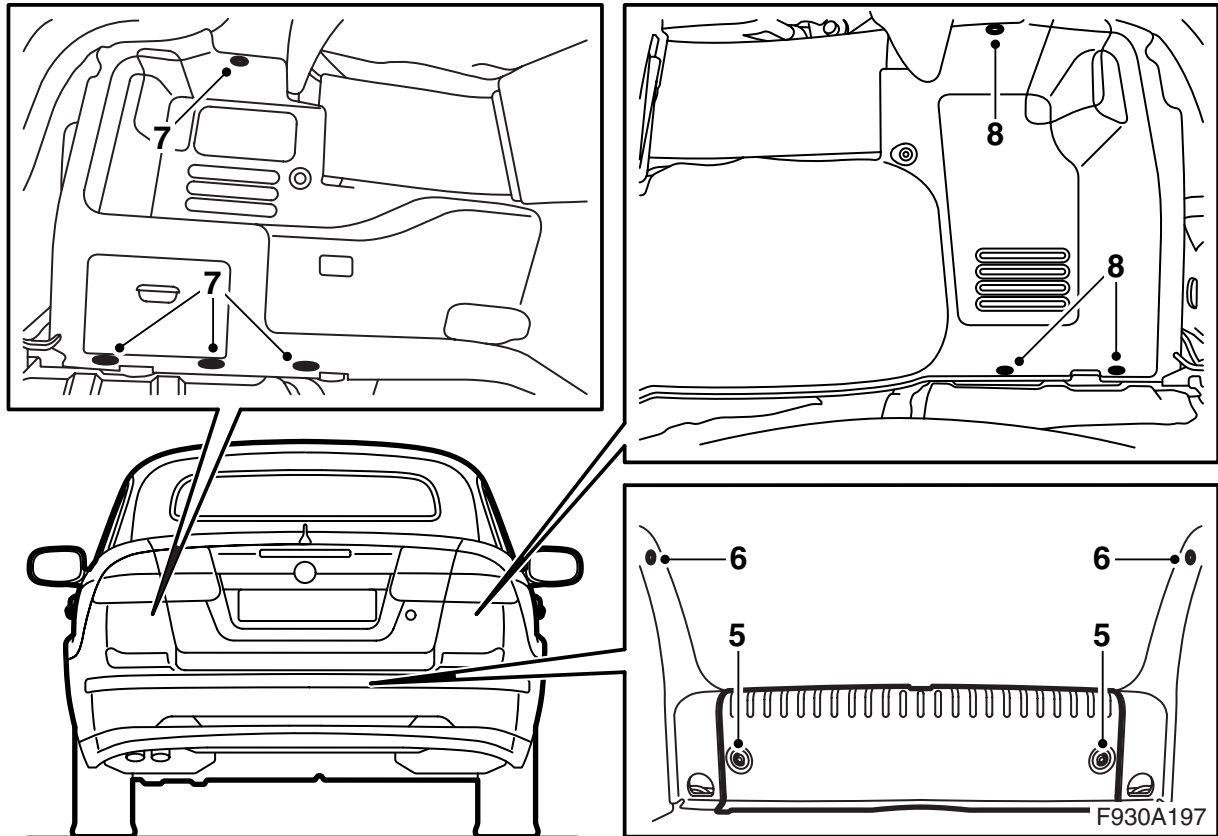


F930A195

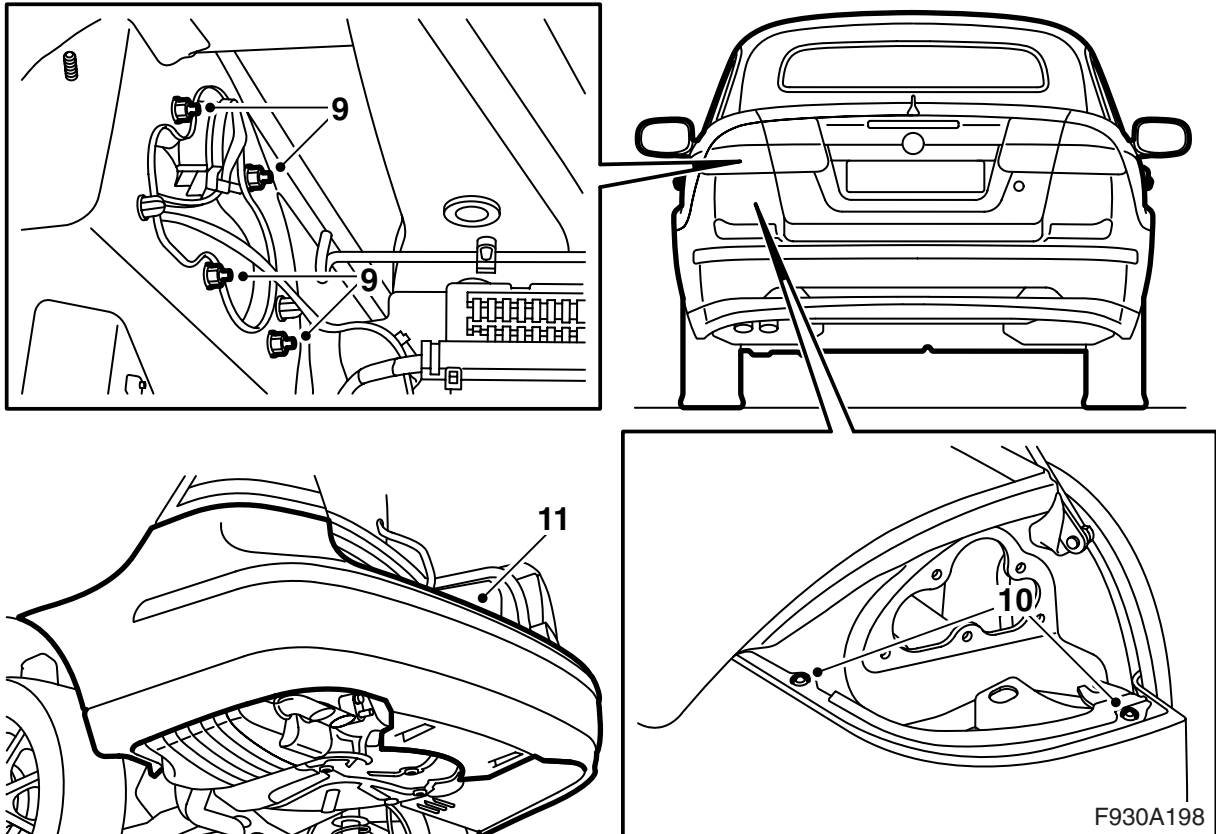
- 1 SPA control module
- 2 Holder (x4)
- 3 Seal (x4)
- 4 Distance sensor (x4)
- 5 Decor strip, bumper
- 6 Wiring harness, distance sensor
- 7 SPA wiring harness
- 8 Cable tie (x2)



- 1 Open the hatchback.
- 2 Disconnect the negative cable from the battery and raise the car.
- 3 Remove the two nuts that hold the rear bumper air shield to the body and the bolts that hold the bumper shell to the wheel housings.
- 4 Lower the vehicle and remove the rear bumper decor strip.



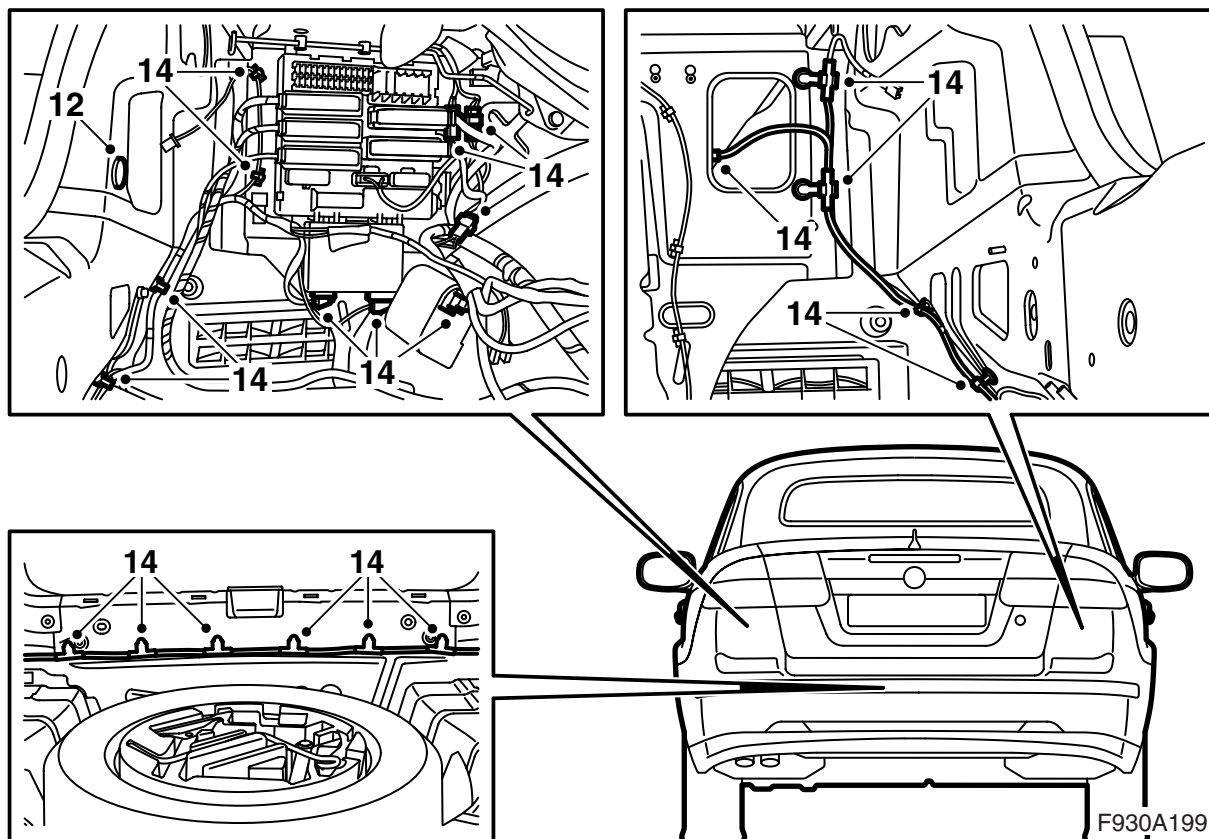
- 5 Remove the carpet on the luggage compartment floor and remove the luggage compartment scuff plate.
- 6 Remove the side scuff plates.
- 7 Remove the clips for the left-hand side trim and fold the trim aside. Unhook the strap on the rear side of the side trim and remove the connector from the luggage compartment lighting. Remove the side trim.
- 8 Remove the clips for the right-hand side trim and fold the trim aside. Unhook the strap on the rear side of the side trim and remove the side trim.



- 9 Remove the rear lamp clusters.
- 10 Remove the bumper shell bolts that are located below the rear lamp clusters.
- 11 Remove the bumper shell by pulling the sides outwards and then pulling the bumper shell rearwards.

Important

Place the bumper on a soft, clean surface.

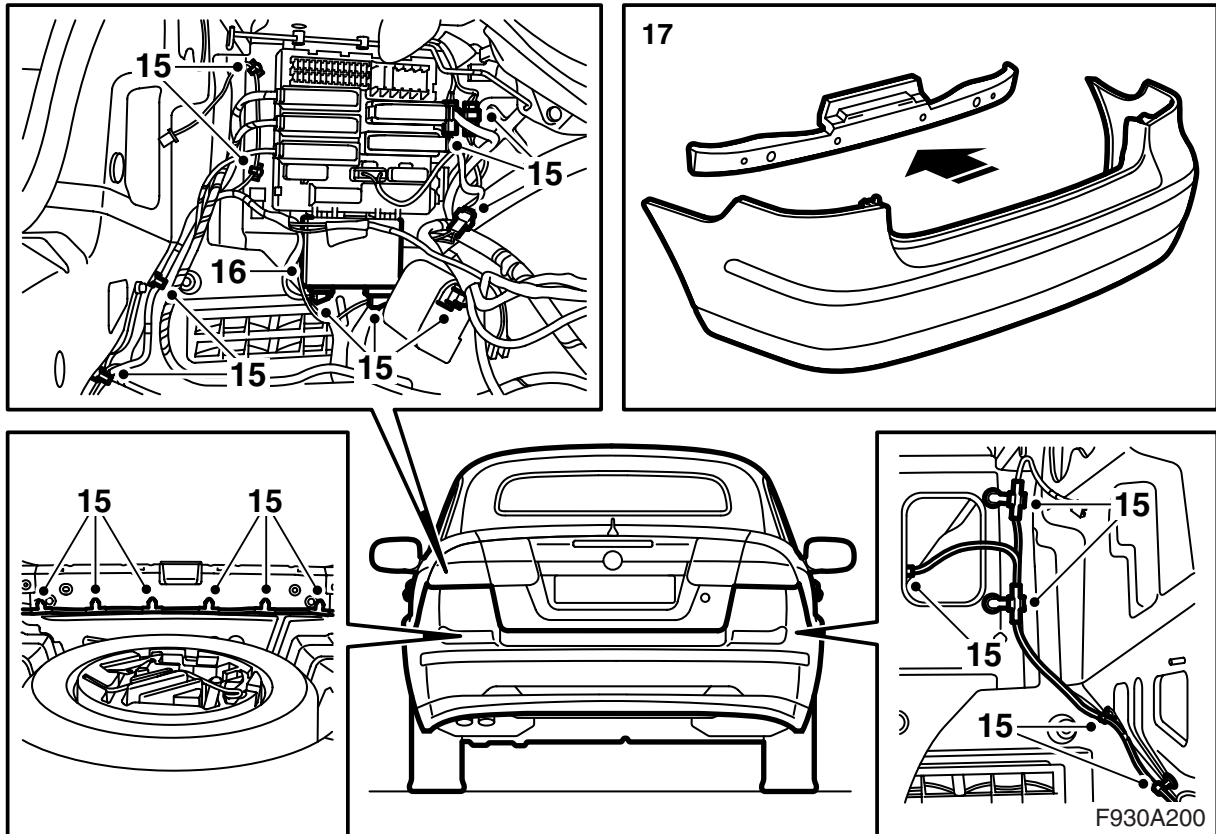


- 12 Remove the rubber plug from under the left-hand rear light.
- 13 Remove the console in which equipment such as a CD-changer may be fitted. Disconnect the connections to any equipment in the console.

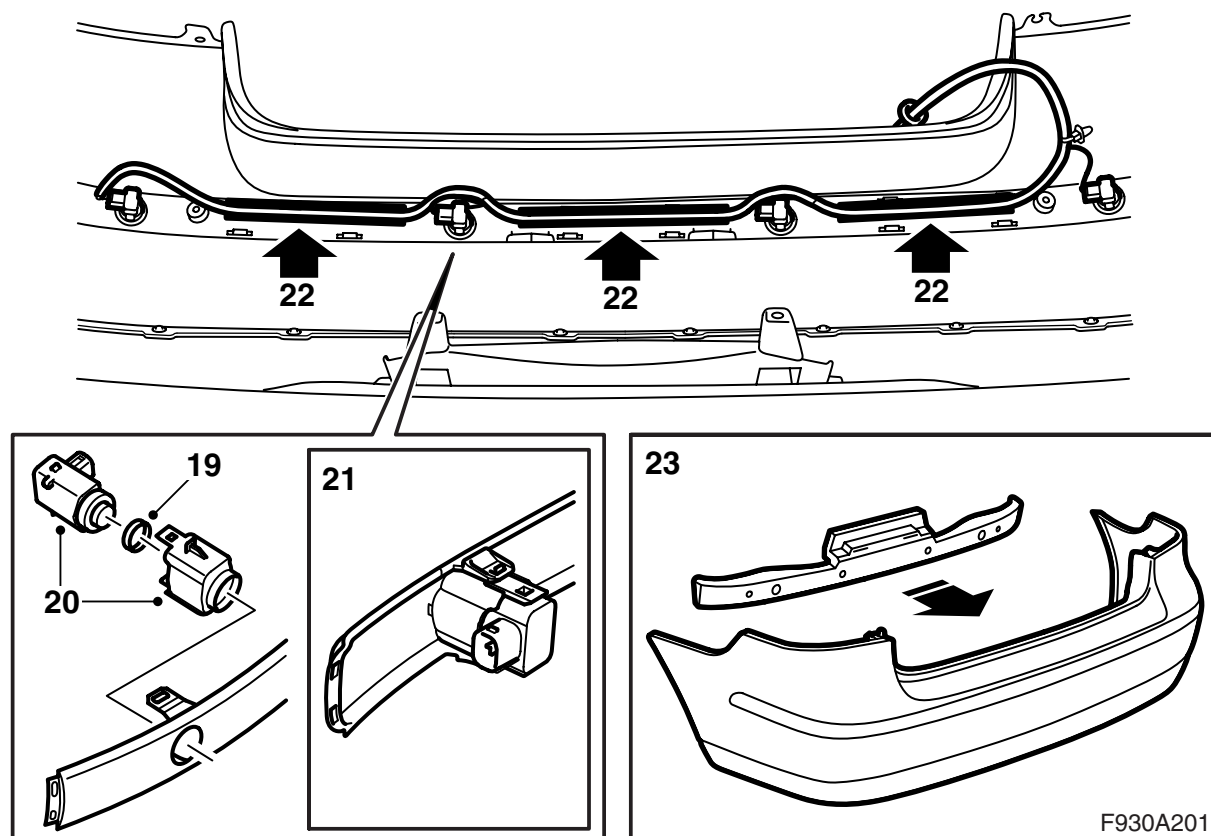
⚠ WARNING

The visible red light is a class 1 laser. Do not look directly into the optical fibre or the control module connector at close range. A distance of less than 20 mm between your eyes and the light source may cause eye injury.

- 14 Remove the rearmost connector (blue) from the rear fuse box. Make a note of how the rear wiring harness is connected and then remove it.



- 15 Fit the new wiring harness and connect the wiring harness as per the notes from the previous step. Secure the parts of the wiring harness using cable ties.
- 16 Connect the control module and fit it onto the mounting point on the rear fuse box.
- 17 Remove the support from the bumper shell.

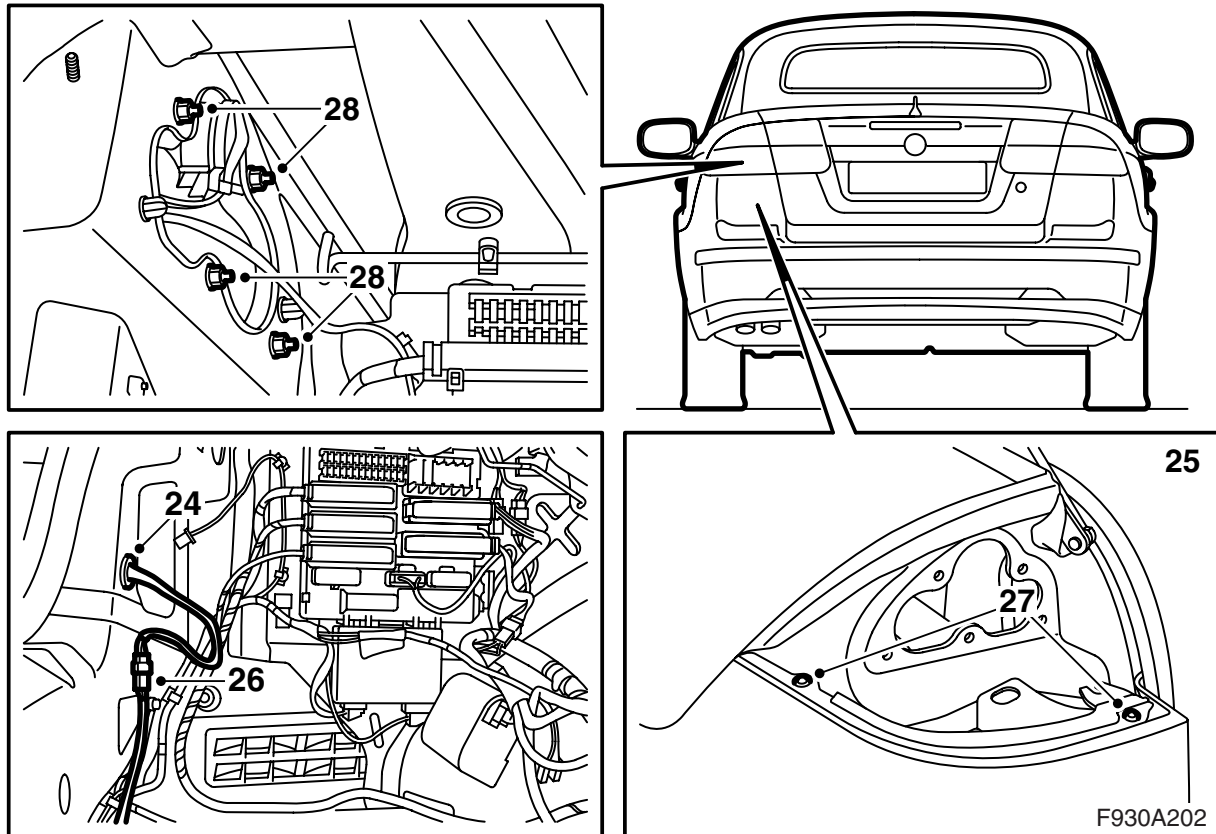


- 18 Fit the bumper shell decor strip using the guide tabs and clip in the hooks, beginning at the centre and working outwards towards the sides.
- 19 Fit the seals to the sensors.
- 20 Fit together the distance sensors and the holders.
- 21 Fit the distance sensors in the decor strip brackets.

Important

The connector sockets for the distance sensors should point towards the right-hand side of the car.

- 22 Fit the wiring harness for the sensors into the slots in the bumper shell.
- 23 Fit the support to the bumper shell.

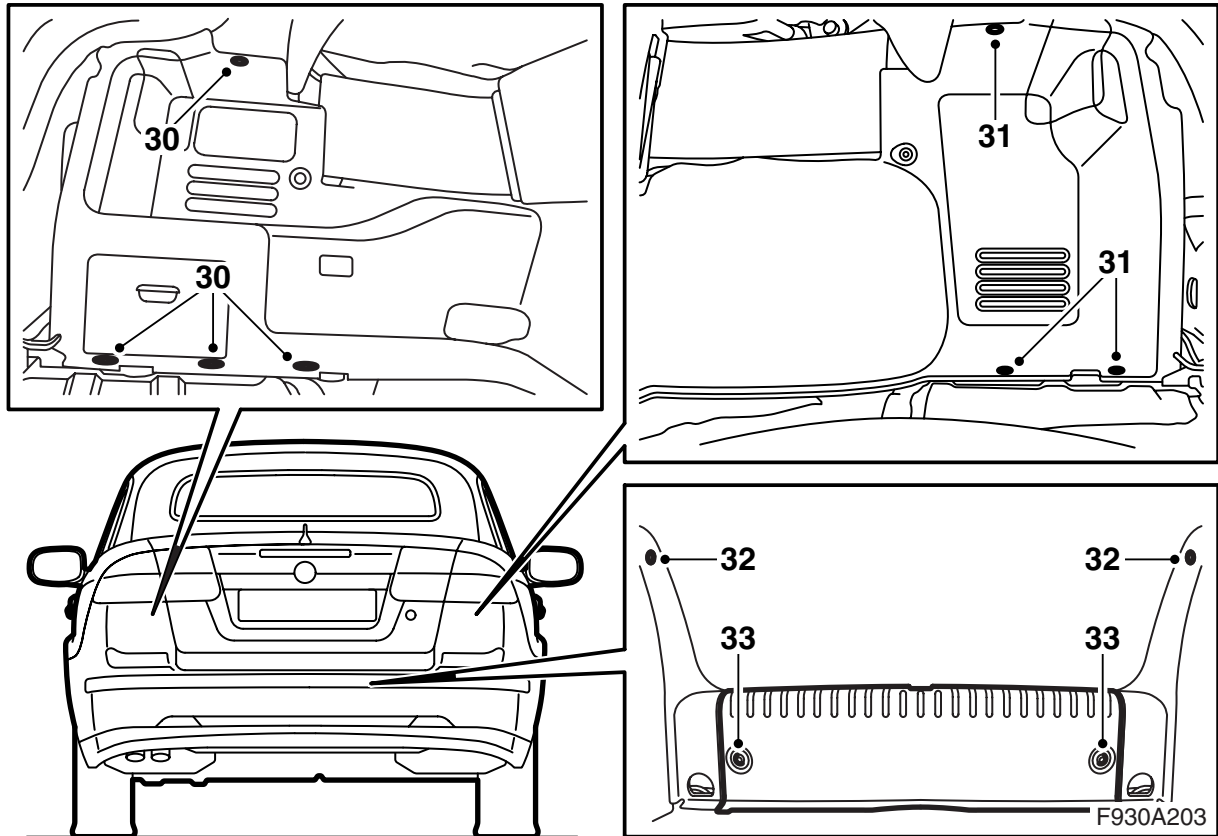


- 24 Lift up the bumper shell and thread the wiring harness through the hole under the left-hand rear light. Fit the grommet.
- 25 Fit the two tabs of the bumper shell under the holes and the outer corners between the wheel arch liner and the holder at the wheel housings. Press the bumper shell into place.

⚠ WARNING

Check that the wiring harness is not pinched. Incorrect fitting can damage the wiring harness and cause a short-circuit/fire.

- 26 Connect the wiring harness for parking assistance and fit the connector into the hole beside the left-hand rear light. Secure the wiring harness for the distance sensors with a cable tie.
- 27 Fit the bumper shell bolts that are located below the rear lamp clusters.
- 28 Fit and connect the rear lamp clusters. Check the fit against the boot lid moulding.

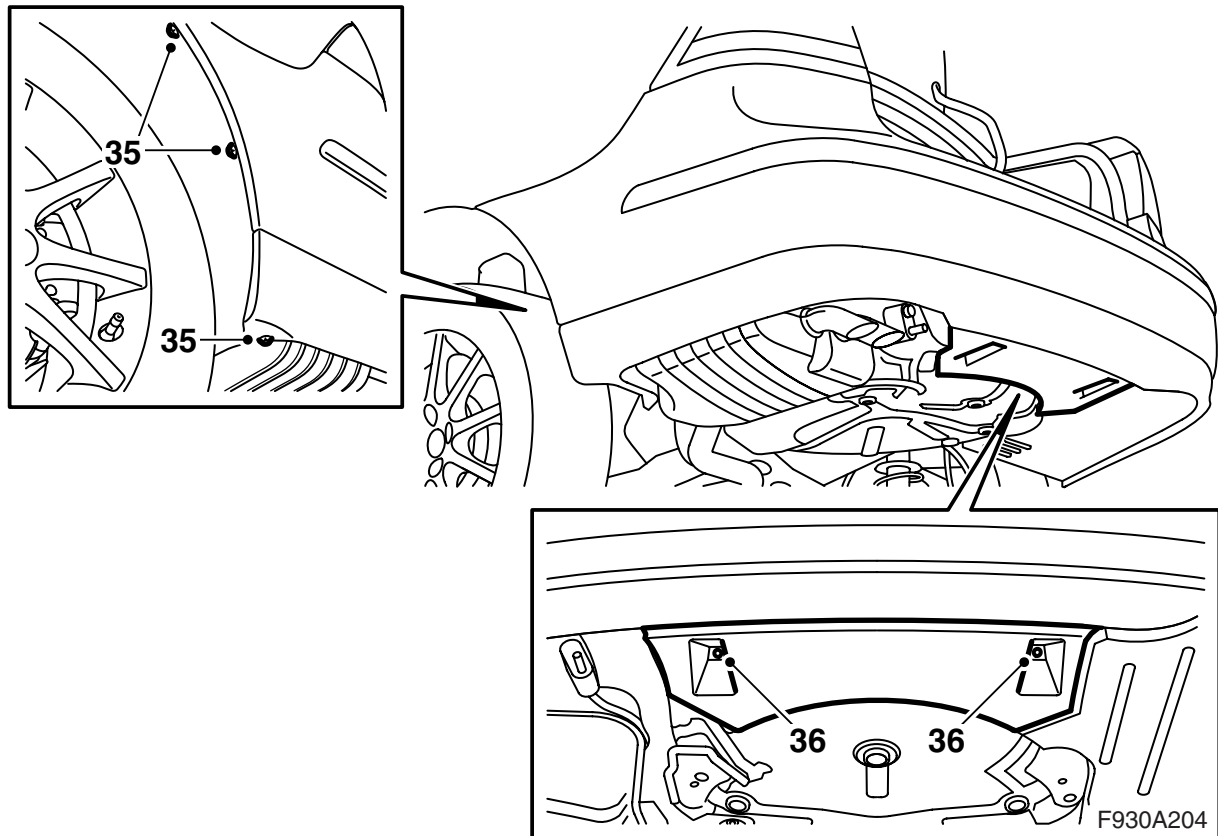


- 29 Fit the console in which equipment such as a CD-changer may be fitted. Plug in the connections to any equipment in the console.

⚠ WARNING

The visible red light is a class 1 laser. Do not look directly into the optical fibre or the control module connector at close range. A distance of less than 20 mm between your eyes and the light source may cause eye injury.

- 30 Fit the left-hand side trim, connect the luggage compartment lighting and hook the strap on. Fit the clips.
- 31 Fit the right-hand side trim, and hook the strap on. Fit the clips.
- 32 Fit the side scuff plates.
- 33 Fit the scuff plate and fit the carpet on the luggage compartment floor.



- 34 Raise the car.
- 35 Fit the bumper bolts at the wheel housings.
- 36 Fit the two nuts holding the rear bumper air shield against the body.
- 37 Lower the car.
- 38 Close the boot lid.
- 39 Check the fit of the bumper. Adjust as necessary.
- 40 Connect the negative battery cable.
- 41 Adjust the time and date.
- 42 Synchronise remote control code by inserting the key into the ignition.

Important

This must be carried out with all remote controls, otherwise they will not work.

- 43 Activate window lift pinch protection function by operating the side windows up and down twice. An audible confirmation will sound when activation is complete.
- 44 Connect the diagnostic tool, select car and model year, select "All", select "Add/Remove", select the accessory and then "Add".

Note

The diagnostic tool will on some occasions need to retrieve a security code in TIS. Information on what to do will be displayed on the diagnostic tool display.