

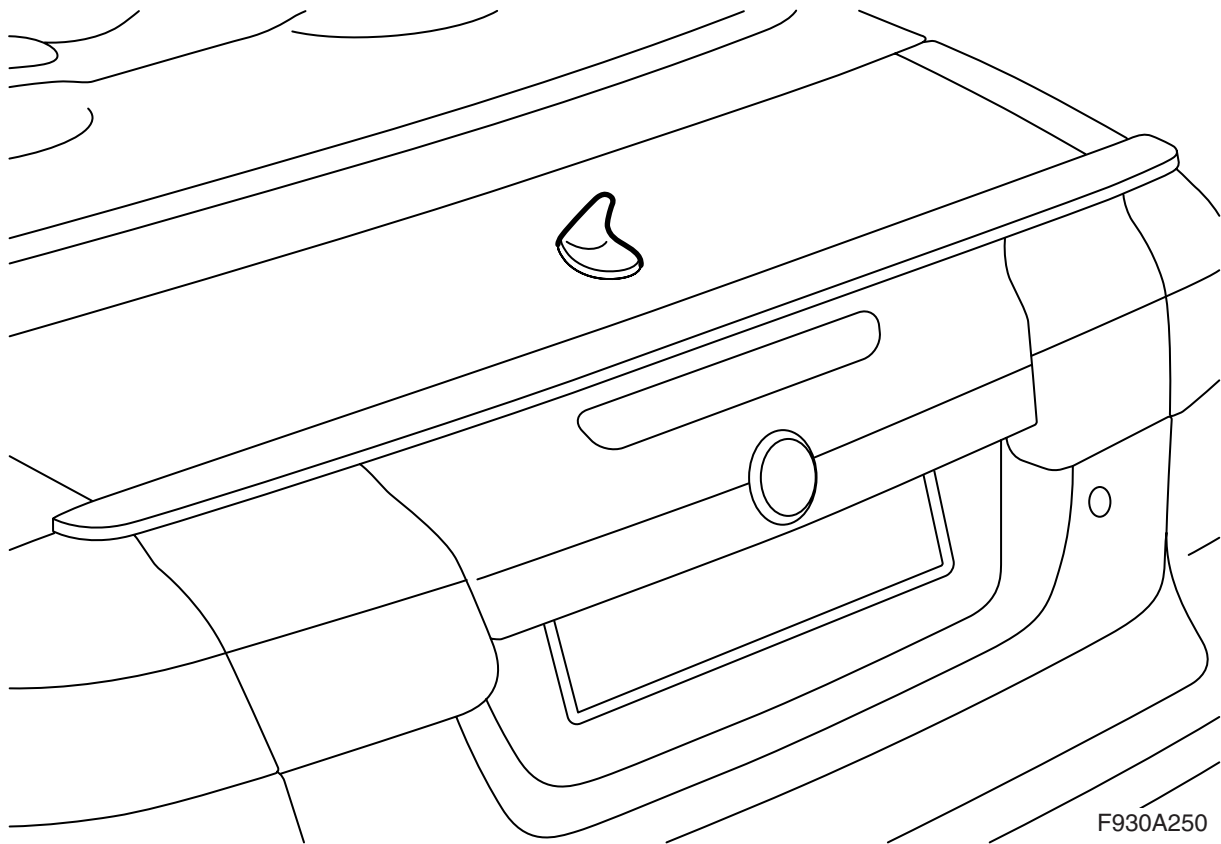


**MONTERINGSANVISNING · INSTALLATION INSTRUCTIONS  
MONTAGEANLEITUNG · INSTRUCTIONS DE MONTAGE**

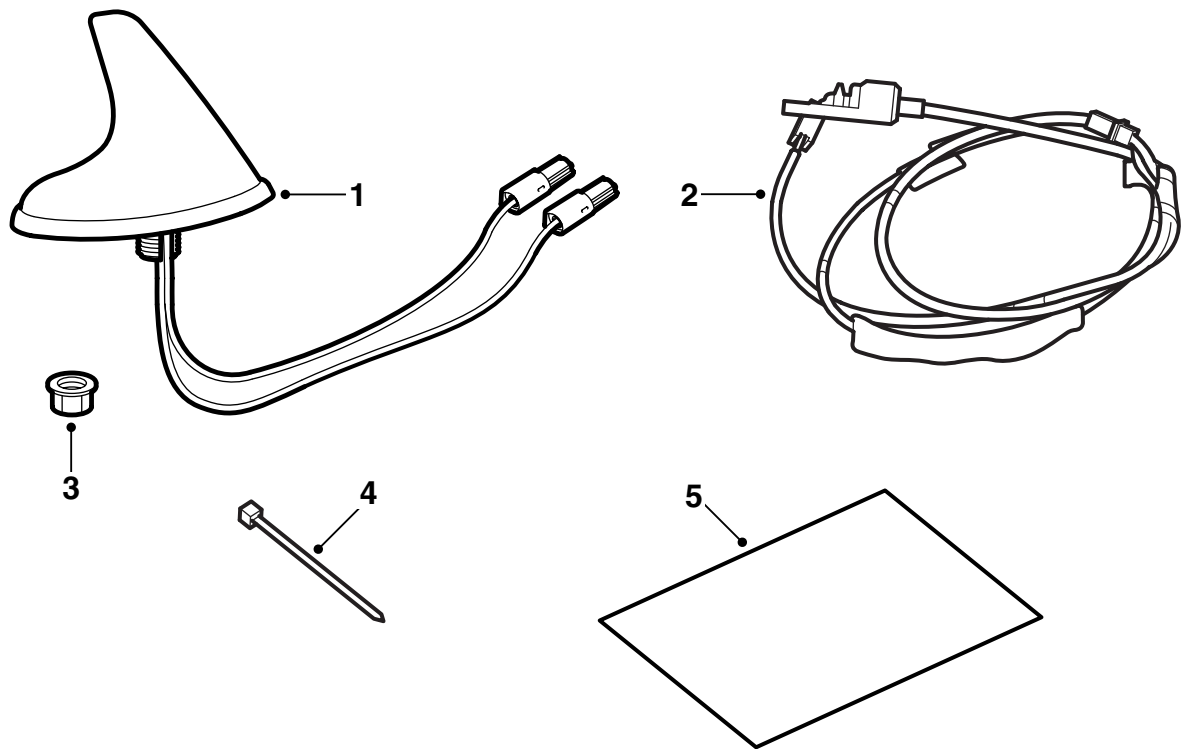
**Saab 9-3 CV M04-**

**Antenna**

Accessories Part No.	Group	Date	Instruction Part No.	Replaces
12 833 679	9:39-11	Jun 03	12 833 680	

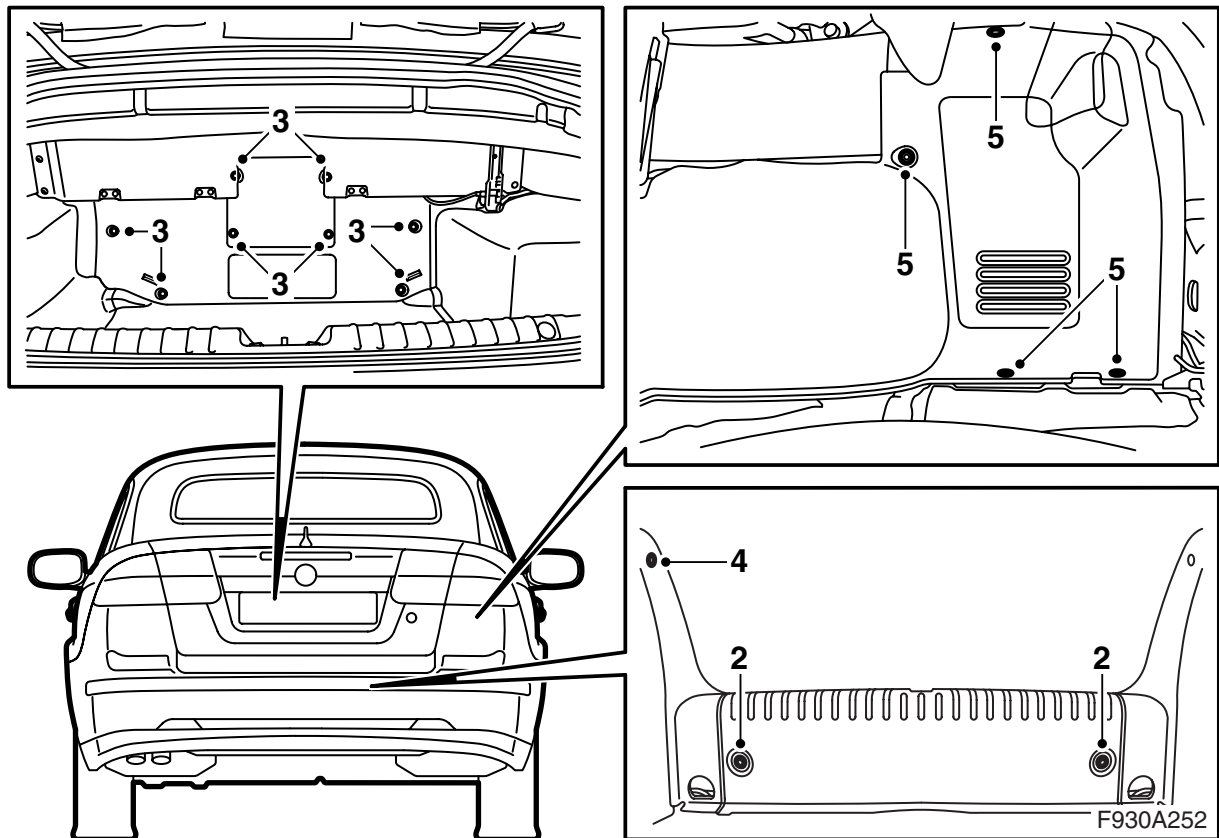


F930A250

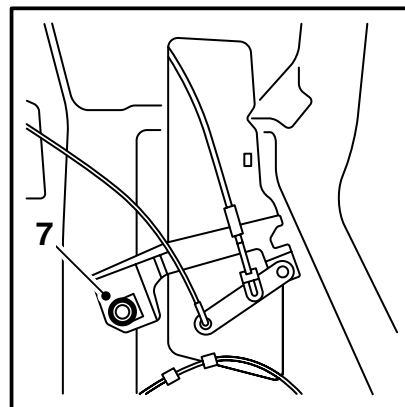
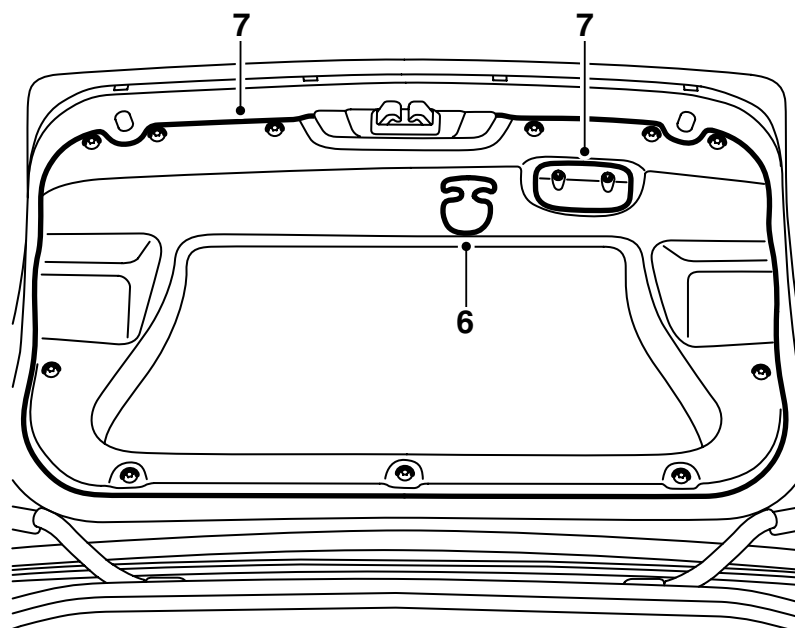


F930A251

- 1 Antenna
- 2 Antenna cable
- 3 Nut
- 4 Cable tie (x3)
- 5 Template

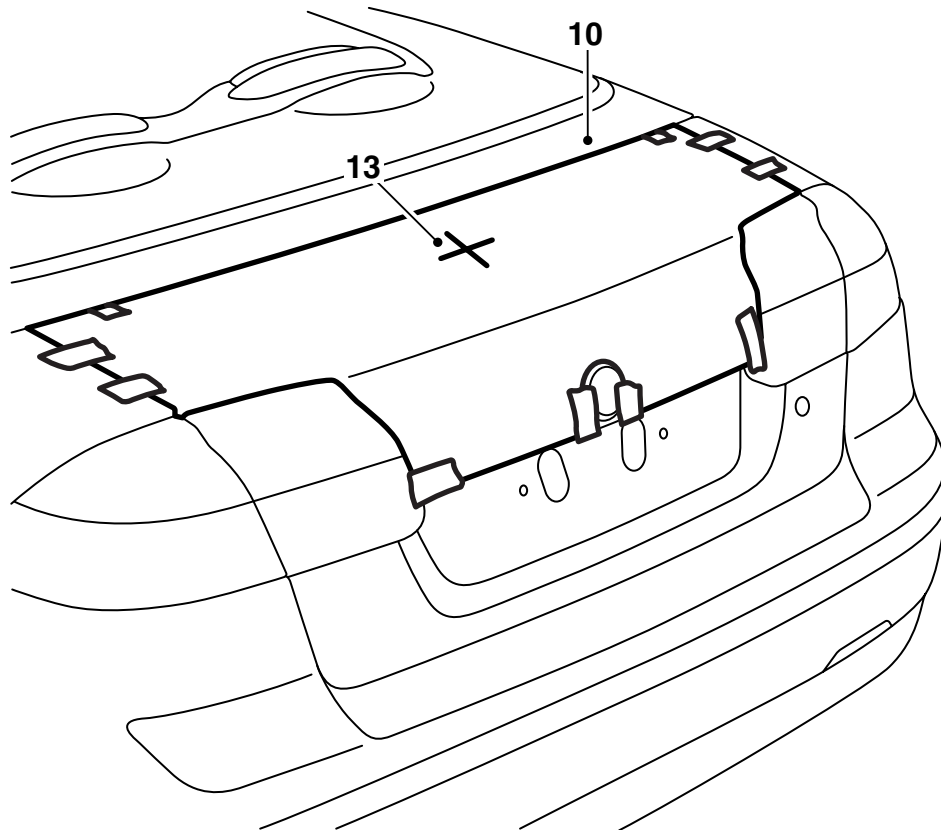


- 1 Raise the soft top and open the boot lid.
- 2 Remove the carpet on the luggage compartment floor and remove the luggage compartment scuff plate.
- 3 Remove the rivets and lift out the front section of the luggage compartment trim.
- 4 Remove the side scuff plate on the right-hand side.
- 5 Remove the clips for the right-hand side trim and fold the trim aside. Unhook the strap on the rear side of the side trim and remove the side trim.



F930A253

- 6 **US:** Remove the emergency opening handle
- 7 Remove the closing handle on the inside of the boot lid, the two-stage rivets and the boot lid trim.
- US:** Remove the screw for the emergency opening mechanism and move the mechanism aside.
- 8 Close the boot lid.



F930A254

- 9 Cut out the template sections and tape them together. Align the template sections using the lines.
- Cars with spoiler on the boot lid:** Cut out as indicated by the marking for the spoiler, so that the template can be positioned flat on the boot lid.
- 10 Fit the template onto the boot lid and onto the front corners of the boot lid.
- 11 Lift up the template and fit tape where the hole is to be drilled.
- 12 Re-align the template and secure with tape to the sides of the boot lid and the front corners of the boot lid.
- 15 Deburr the hole and remove loose drillings and flakes of paint. Clean with Teroson FL Cleaner. Apply Standox 1K Füllprimer. Apply finish paint. Apply Terotex HV 400 cavity sealant to internal surfaces.

---

### Important

Check the position of the template and adjust as necessary.

---

- 13 Drill the hole as marked.
- 

### Important

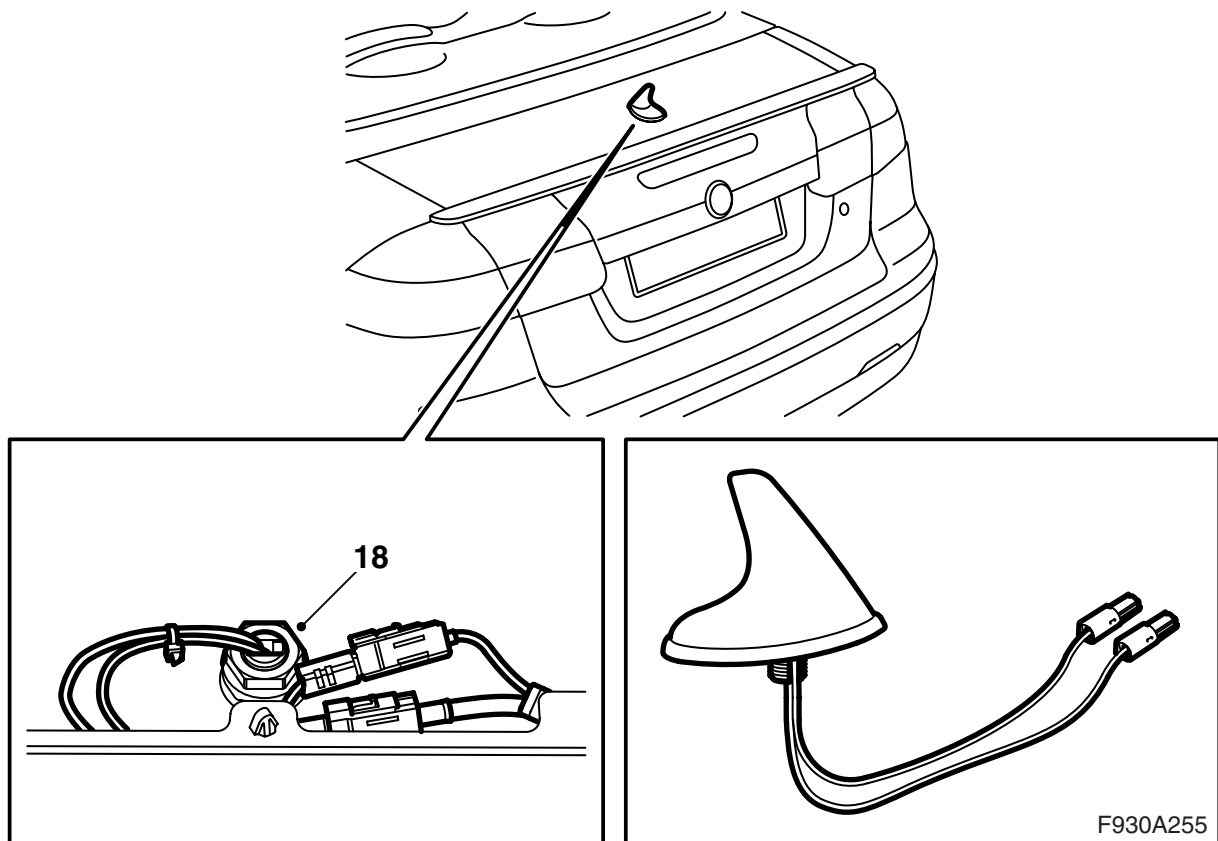
Do not use a centre punch to mark the position of the hole.

Do not press the drill against the boot lid when drilling.

---

First drill using a 2 mm bit, then using a 5 mm bit and finally using a 14 mm bit.

- 14 Remove the template and all pieces of tape.
-

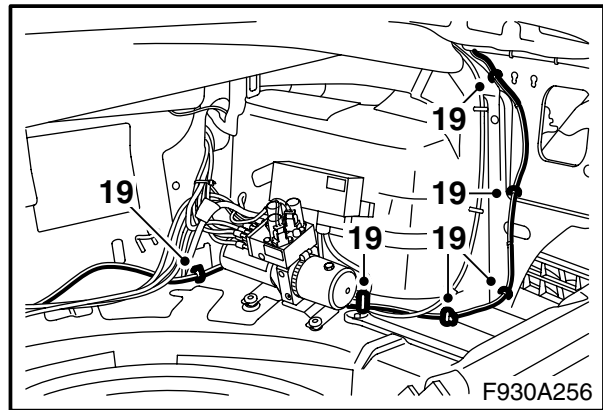
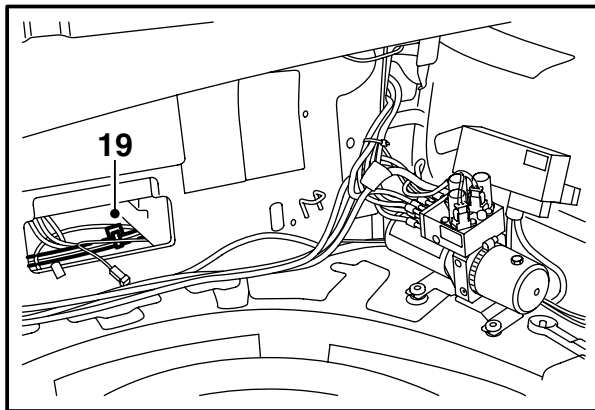
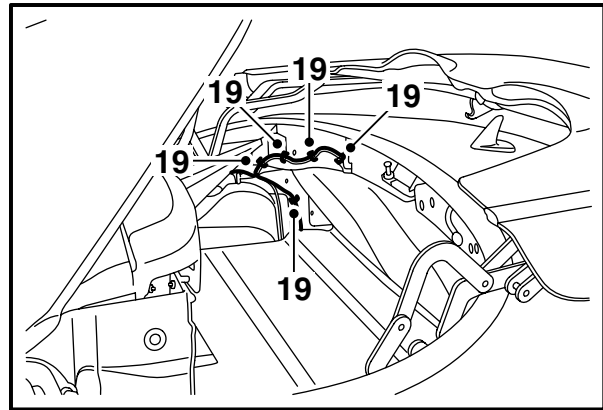
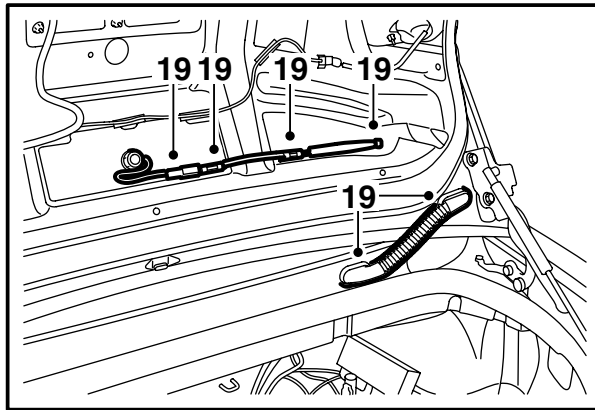


- 16 Remove the plastic guide from the antenna's threaded sleeve.
- 17 Guide the antenna cables through the hole in the boot lid and align the antenna in the longitudinal direction of the car.

**Note**

The base of the interior rear-view mirror can be used as an alignment guide.

- 18 Fit the antenna.  
**Tightening torque 2 Nm (1.5 lbf ft)**



19 Fit the kit's antenna cable as follows:

- Guide the antenna cable through the hole in the boot lid and connect it to the antenna.
- Guide the antenna cable through the hole in the body and fit the rubber gaiter.

### Important

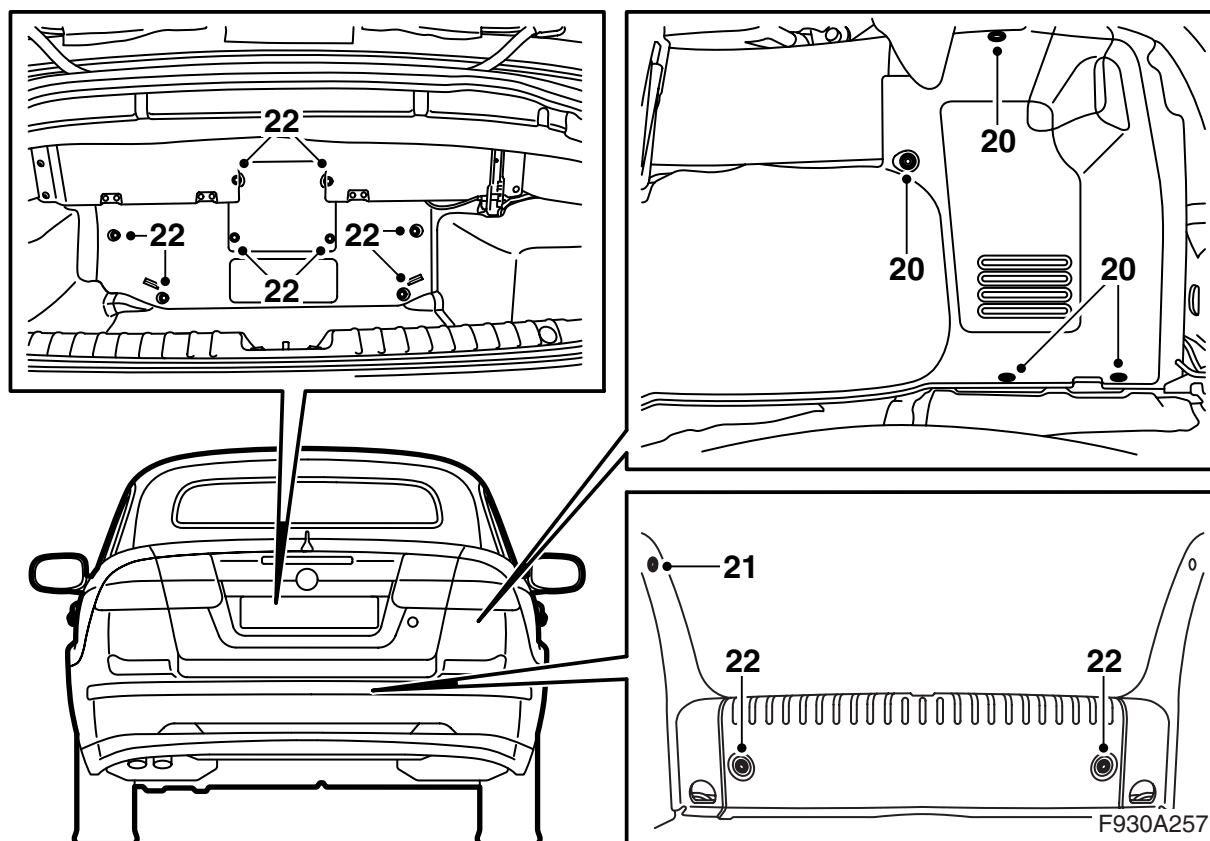
Check that the wiring harness rubber gaiter is fitted correctly at both ends to avoid leakage.

- Guide the antenna cable into the soft top compartment and down into the luggage compartment.

### Important

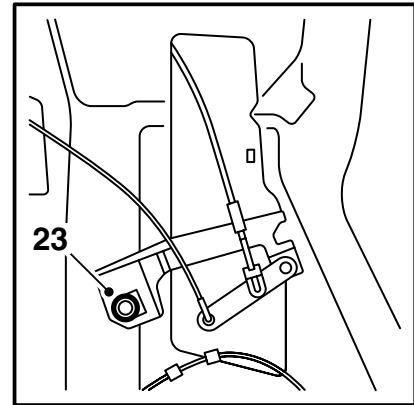
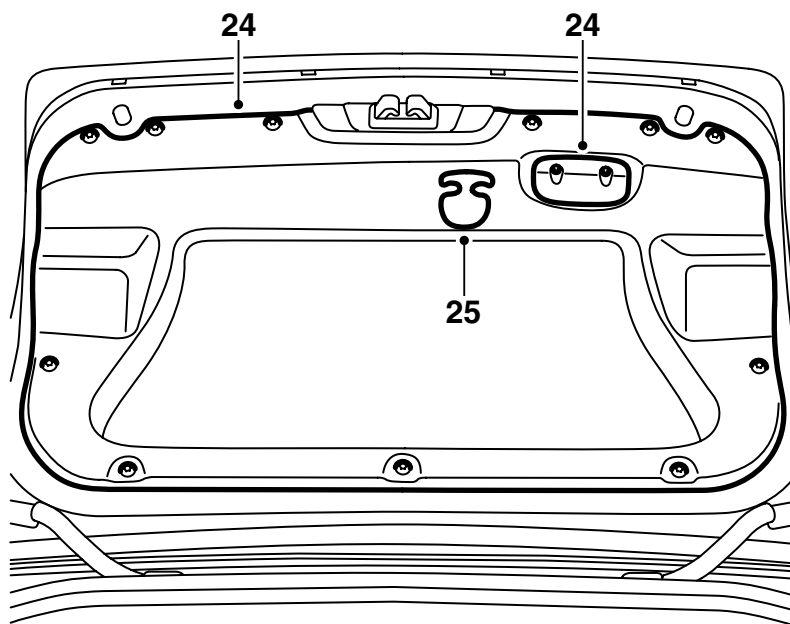
For this to be possible the boot lid must be closed and the soft top cover open, then close the soft top cover and open the boot lid.

- Guide the antenna cable into the torsion compartment and forward to the centre of the torsion compartment.
- Secure the antenna cable to the existing wiring harness.



- 20 Align the right-hand side trim and hook on the strap. Fit the clips.
- 21 Fit the side scuff plate.
- 22 Fit the front section of the luggage compartment trim and the scuff plate. Fit the carpet on the luggage compartment floor.





F930A258

- 23 **US:** Fit the emergency opening mechanism.
- 24 Fit the trim on the inside of the boot lid, fit the two-stage rivets and fit the closing handle.
- 25 **US:** Fit the emergency opening handle.
- 26 Close the boot lid.