

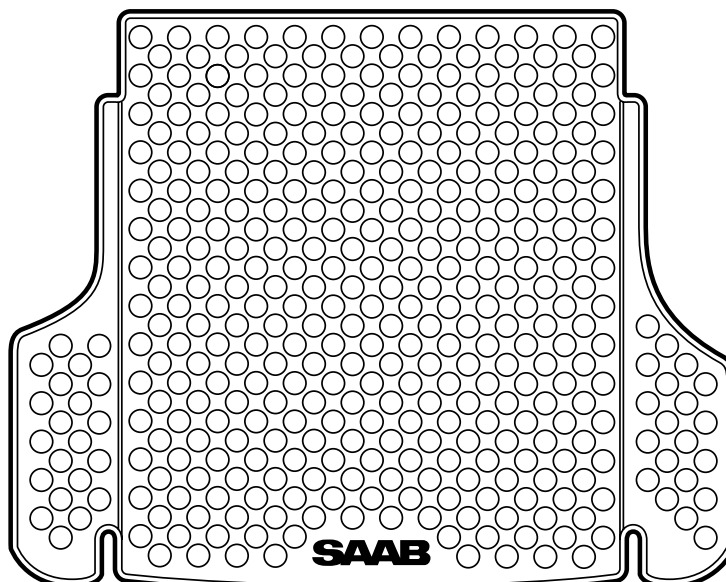


**MONTERINGSANVISNING · INSTALLATION INSTRUCTIONS
MONTAGEANLEITUNG · INSTRUCTIONS DE MONTAGE**

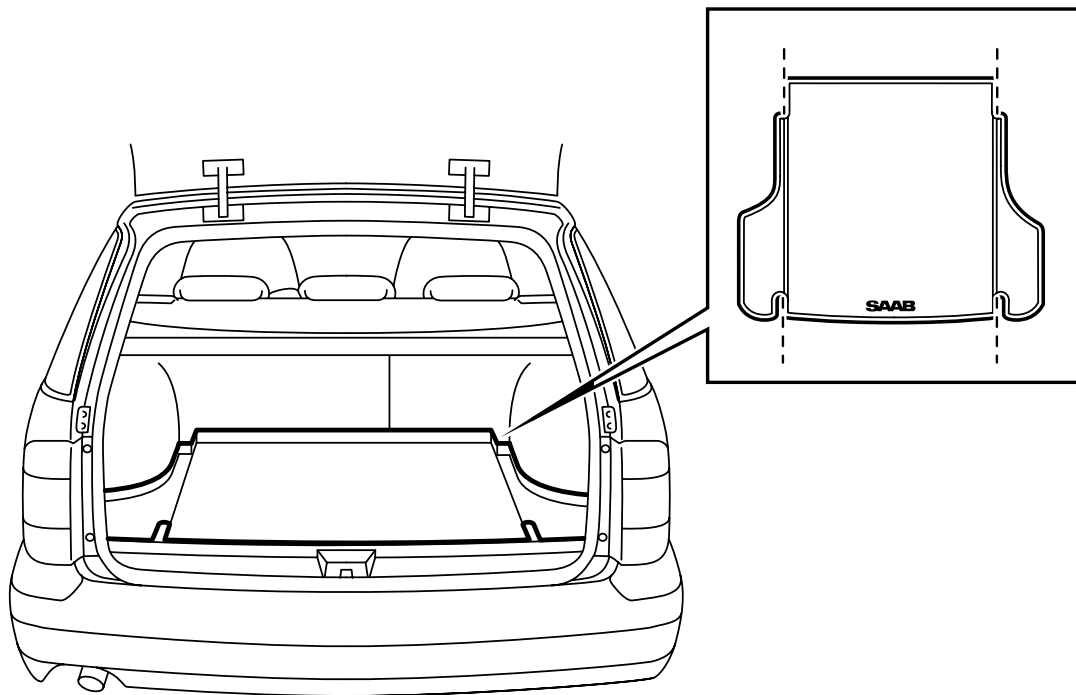
Saab 9-5 5D

Lugage Compartment Carpet

Accessories Part No.	Group	Date	Instruction Part No.	Replaces
32 000 509	8:52-17	Dec 06	50 27 321	50 27 321 Sep 06



E980A088



E980A089

- 1 Place the carpet in the luggage compartment.
- 2 The carpet has four recesses making it possible to use the front and rear sections of the retaining rails in the floor of the luggage compartment. If the entire retaining rail is to be used, the outer sections of the carpet must be cut away, see illustration.