

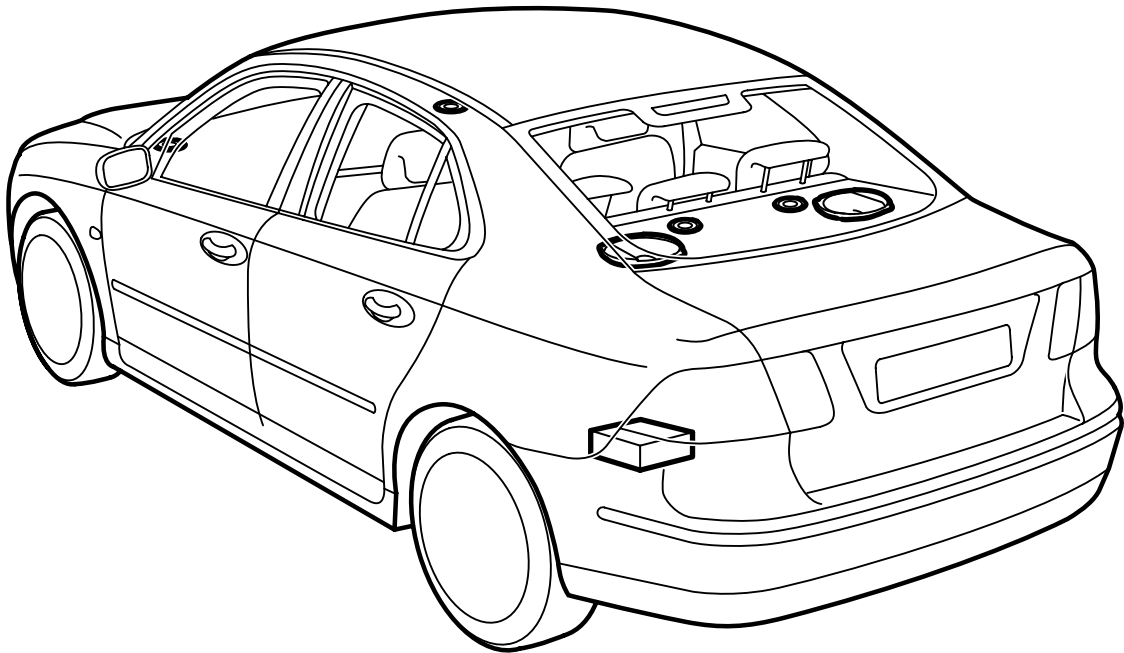


**MONTERINGSANVISNING · INSTALLATION INSTRUCTIONS
MONTAGEANLEITUNG · INSTRUCTIONS DE MONTAGE**

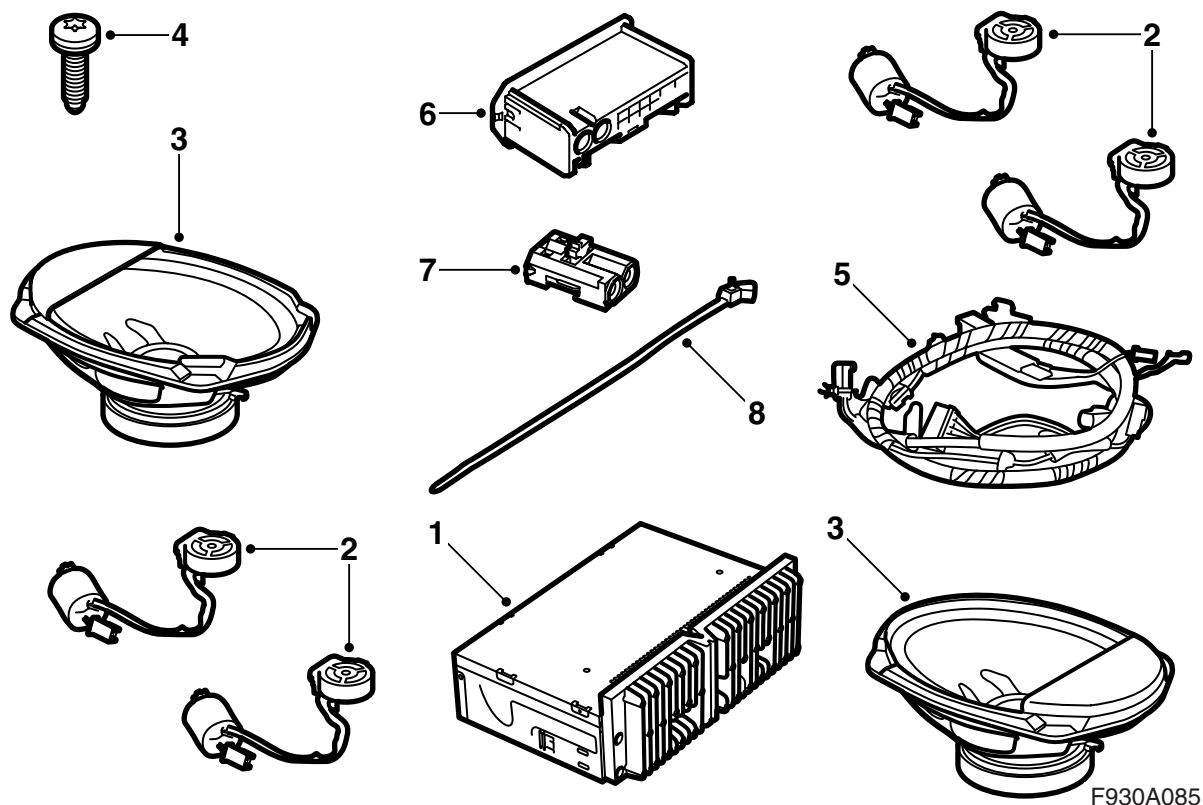
Saab 9-3 4D M03-

Upgrade to Premium 300 sound system

Accessories Part No.	Group	Date	Instruction Part No.	Replaces
12 787 154 32 000 556	9:36-22	Feb 05	12 788 464	12 788 464 Nov 02



F930A084



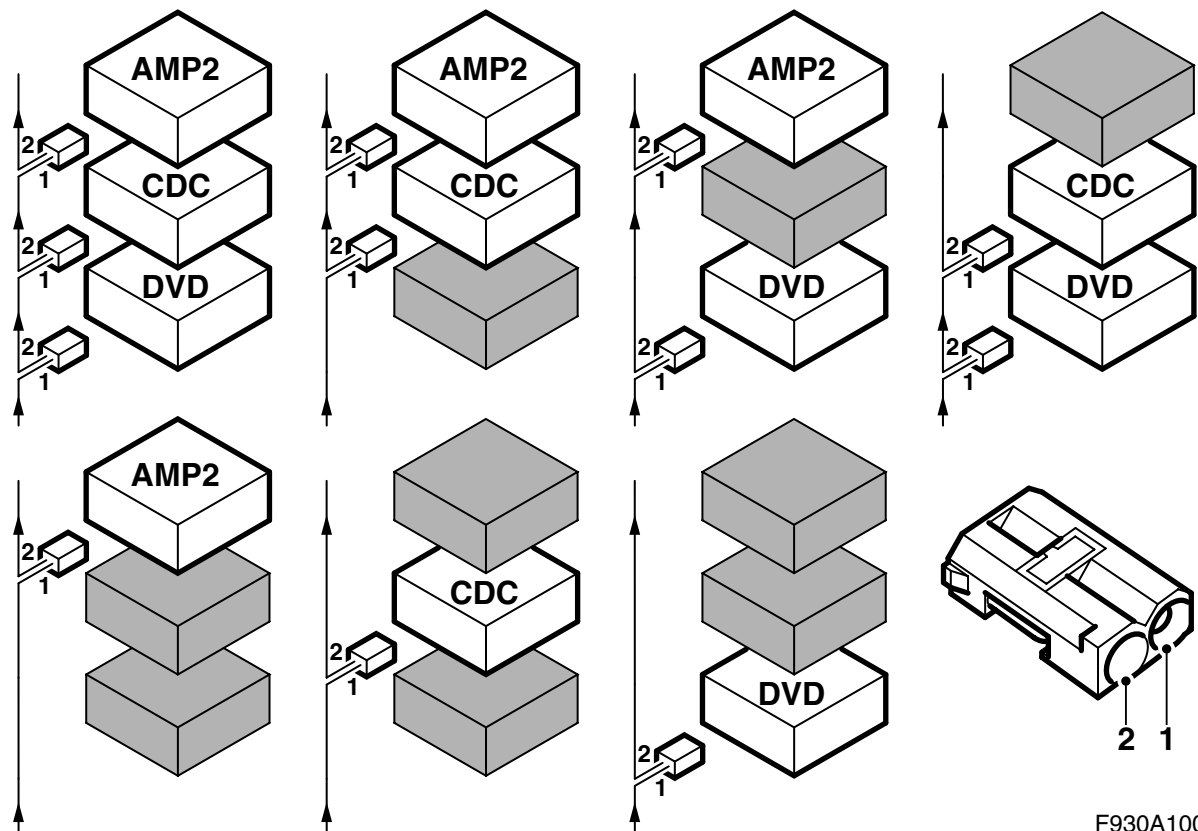
F930A085

- 1 Amplifier
- 2 Treble speaker (x4)
- 3 Bass speaker (x2)
- 4 Screw (x8)
- 5 Wiring harness
- 6 Cover, connector housing
- 7 Optical cable connector, 2-pin
- 8 Cable tie with clip
- 9 Fibre optic cable (omitted from illustration) (used only when there is other equipment in the bracket in the luggage compartment)

The following items are also required (ordered separately)

Bracket for baggage compartment equipment (certain cars), comprising:

- Bracket
- Screw (x3)
- Nut
- Clip nut
- Side trim



F930A100

Bus Communication

Many parts of the car's electrical system communicate using a bus. There are three types of bus communication: P-bus (Powertrain Bus), I-bus (Instrument Bus) and O-bus (Optical bus). The audio system communicates via the O-bus together with the navigation system, the telephone system and others.

The O-bus is optical and is a ring bus. Two fibre optical cables are connected to each control module on the bus, one fibre optical cable for receiving and one for sending. Messages received are converted by each control module from a fibre optical signal to electrical and then converted back to optical for sending. The O-bus data transfer rate is 25 Mbit/s.

Important

It is very important that everything connected to the O-bus is connected in a specific order, see illustration, and that the ring is closed the whole time.

Connection in any other way than that described in these fitting instructions may result in several of the car's systems failing to work.

AMP1 is an amplifier below the left-hand front seat

AMP2 is an amplifier by the REC

CDC is a CD changer by the REC

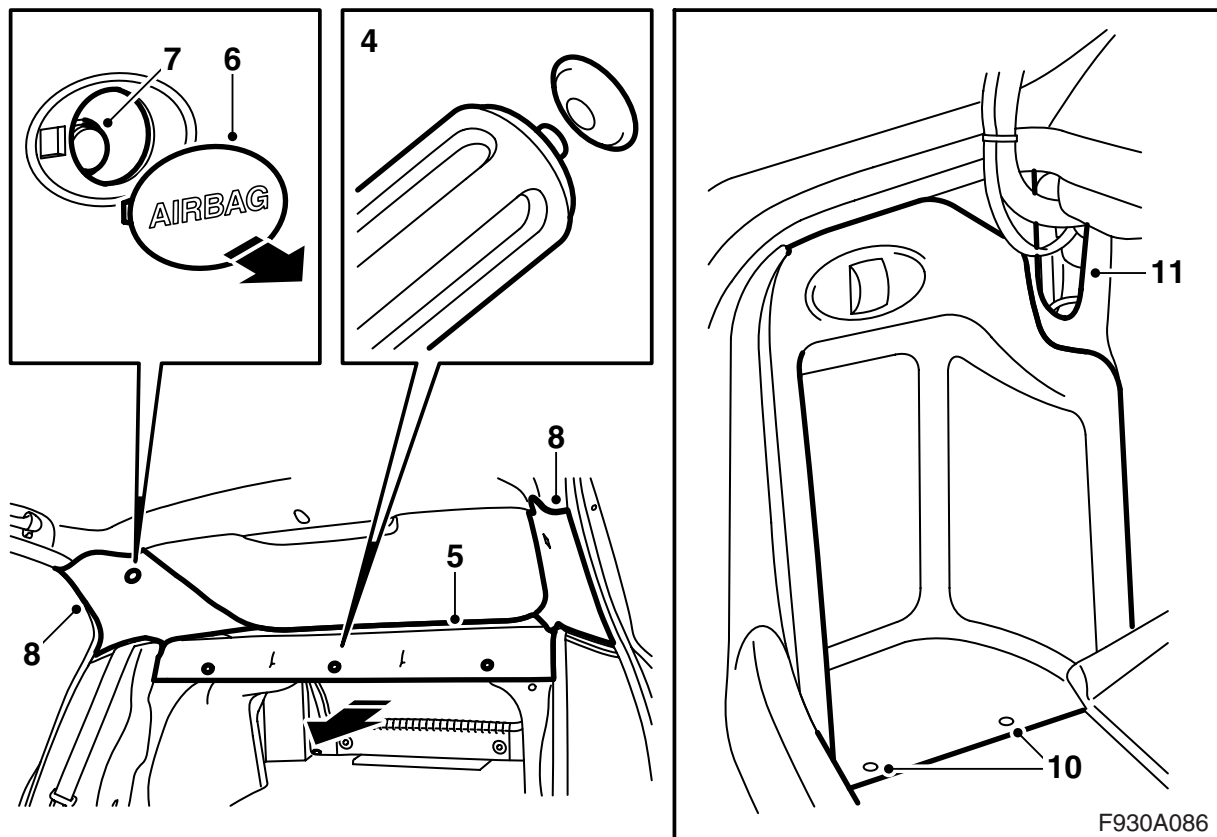
DVD is a DVD player by the REC

When fitting new equipment to be connected to the O-bus it is important that it is connected into the correct side of the existing equipment.

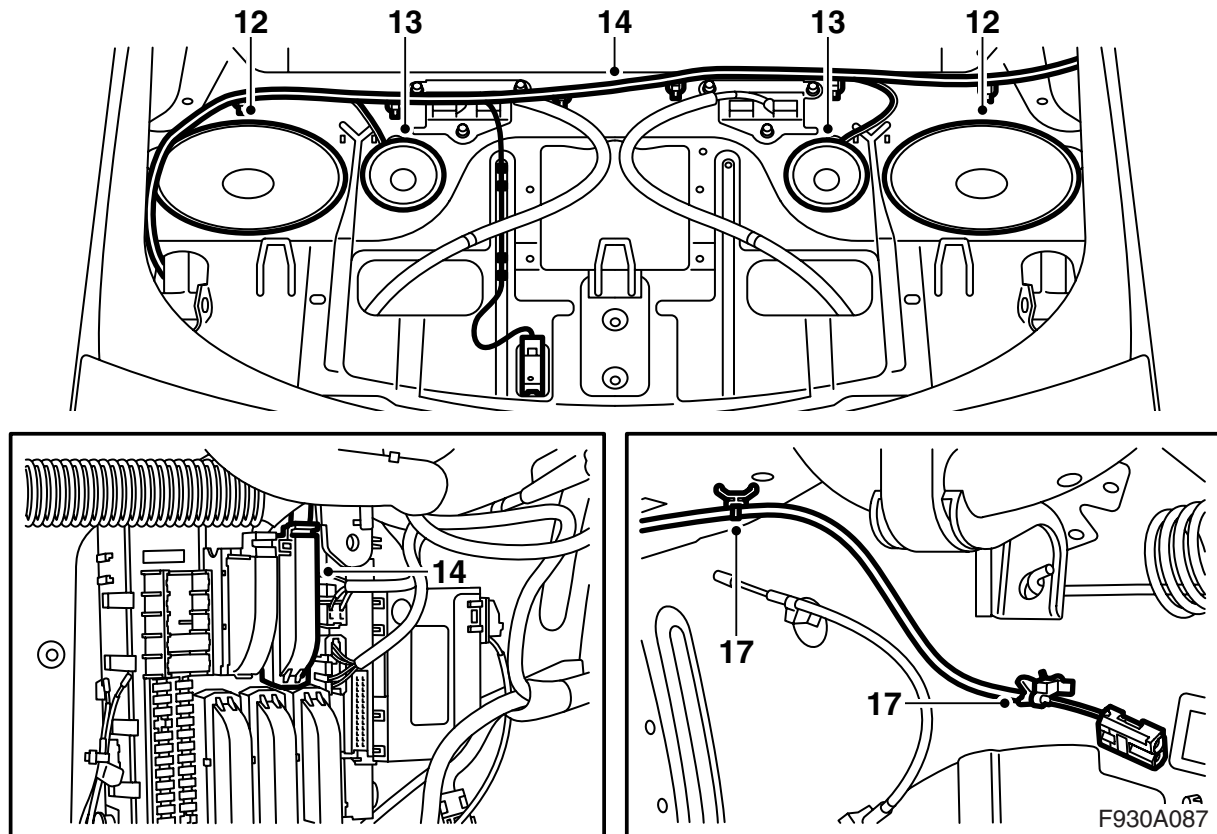
Important

Handle the fibre optic cables with care or the signal may be distorted.

- It is very important that the two leads in the connector are not confused with one another.
- Do not splice the cables.
- Do not bend the cable in a radius smaller than 25 mm.
- Do not expose the cable to temperatures exceeding 85 °C.
- Keep the cable ends free from dirt and grime.
- Do not expose the cable to impact as this may cause the transparent plastic to whiten, thereby reducing the intensity of the light and causing possible communication interruptions.
- The cable should not lie against any sharp edges as this may cause increased signal reduction.



- 1 Open the hatchback.
- 2 Remove the battery's negative cable and remove the key from the ignition.
- 3 Lower the rear seat backrest.
- 4 Detach the clips holding the parcel shelf trim.
- 5 Pull the parcel shelf trim straight out.
- 6 Remove the cover washer from the C-pillar trim. Use removing tool 82 93 474.
- 7 Undo the screw from the C-pillar trim. Do not unscrew it completely as an expander is fitted to the screw which can be lost.
- 8 Remove the C-pillar trim by carefully pulling the trim forwards, together with the screw.
- 9 Fold the luggage compartment floor forwards.
- 10 In the luggage compartment, remove the hatch in the left-hand side trim and lower the hatch on the right-hand side.
- 11 Remove the clips for the left-hand side trim and fold the trim away. Do the same on the right-hand side.

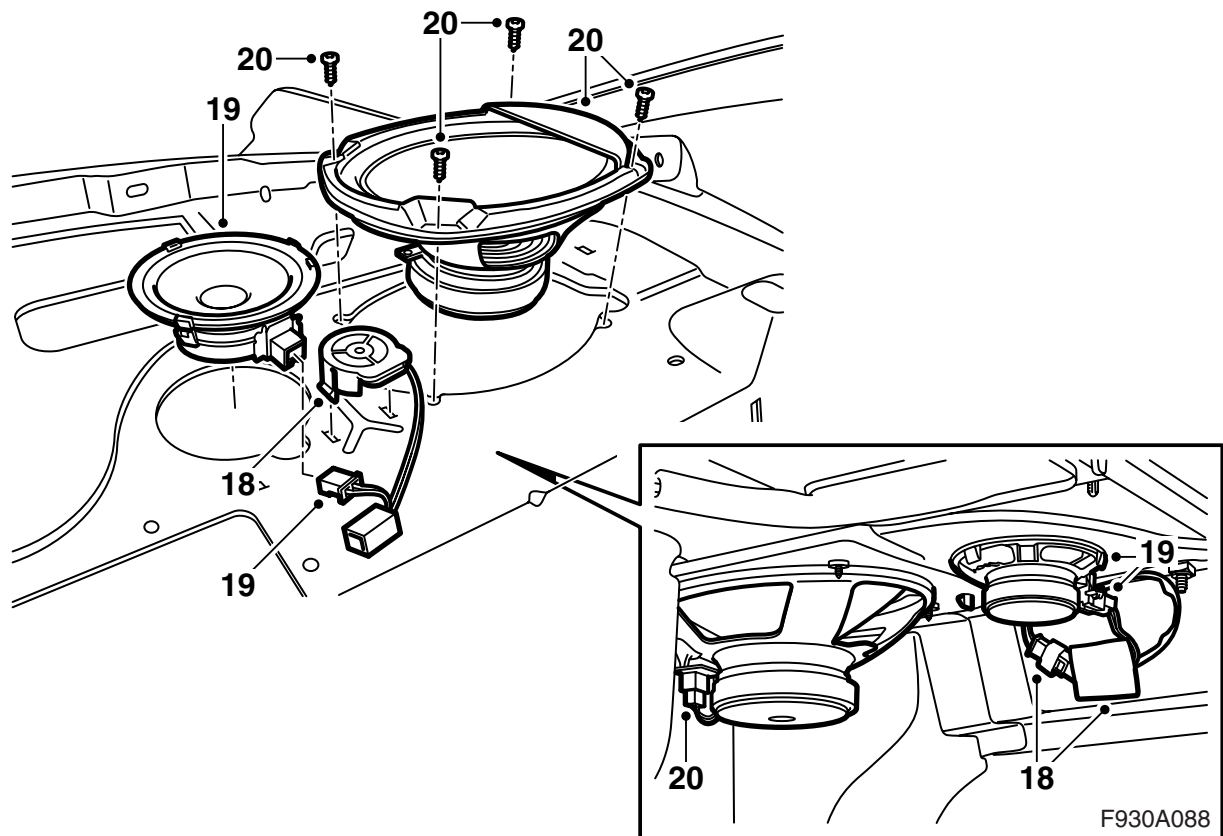


- 12 Remove the covers from the bass speakers by pressing them upwards from below.
- 13 Remove the connector from the wide range speakers in the parcel shelf and remove the speakers.
- 14 Remove the wiring harness from the parcel shelf and remove the connection in the REC.
- 15 Fit the new wiring harness above the parcel shelf and connect it.
- 16 Guide down the cable for the speakers in the holes for the wide range speakers in the parcel shelf.
- 17 Guide down the fibre optical cable on the right-hand side of the car and affix it using a cable tie and clip.

Important

Handle the fibre optic cables with care or the signal may be distorted.

- Do not bend the cable in a radius smaller than 25 mm.
- Do not expose the cable to impact as this may cause the transparent plastic to whiten, thereby reducing the intensity of the light and causing possible communication interruptions.
- The cable should not lie against any sharp edges as this may cause increased signal reduction.

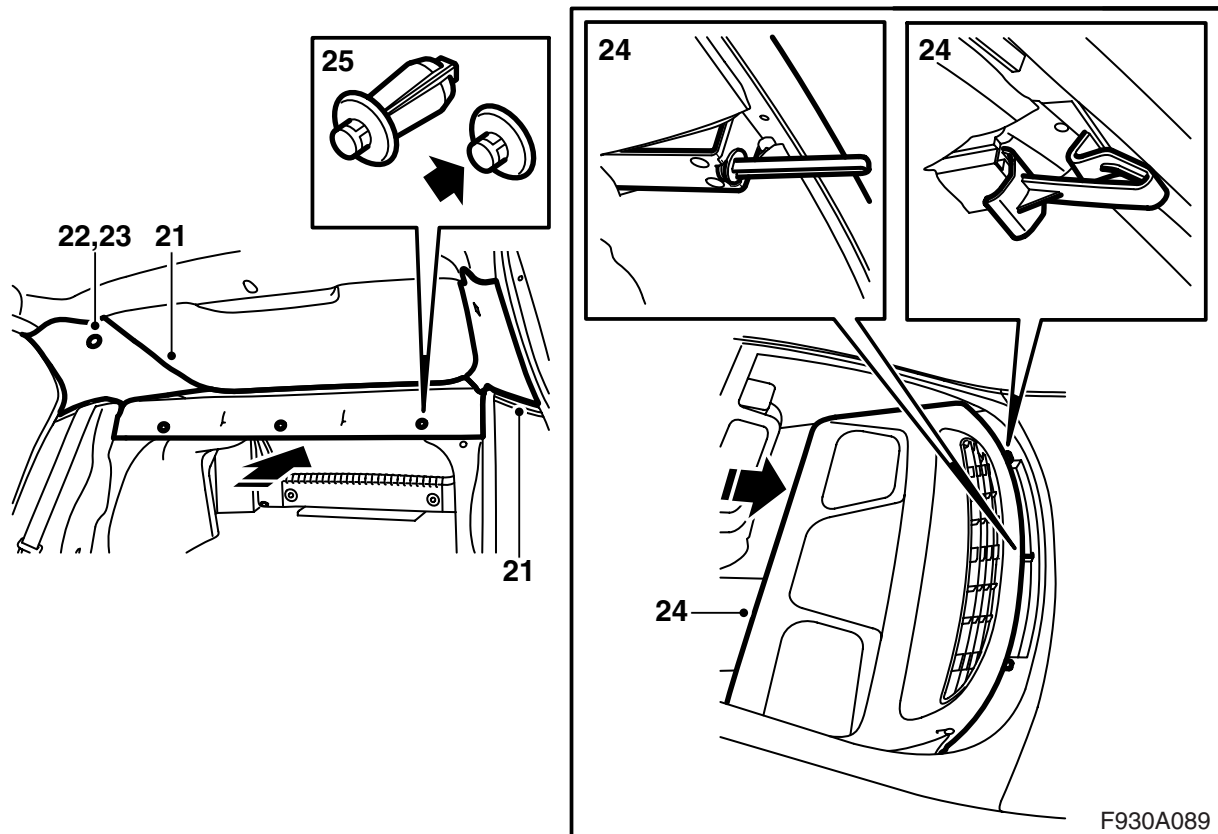


- 18 Fit the treble speakers by pressing them securely into the holes. Connect the speakers and guide the foam plastic sleeve on each wiring harness over the connector.

Note

The treble speakers must be fitted with the connections pointed in different directions.

- 19 Connect and fit the wide range speakers.
20 Connect the bass speakers and fit them with the appropriate cover pointed to the side.

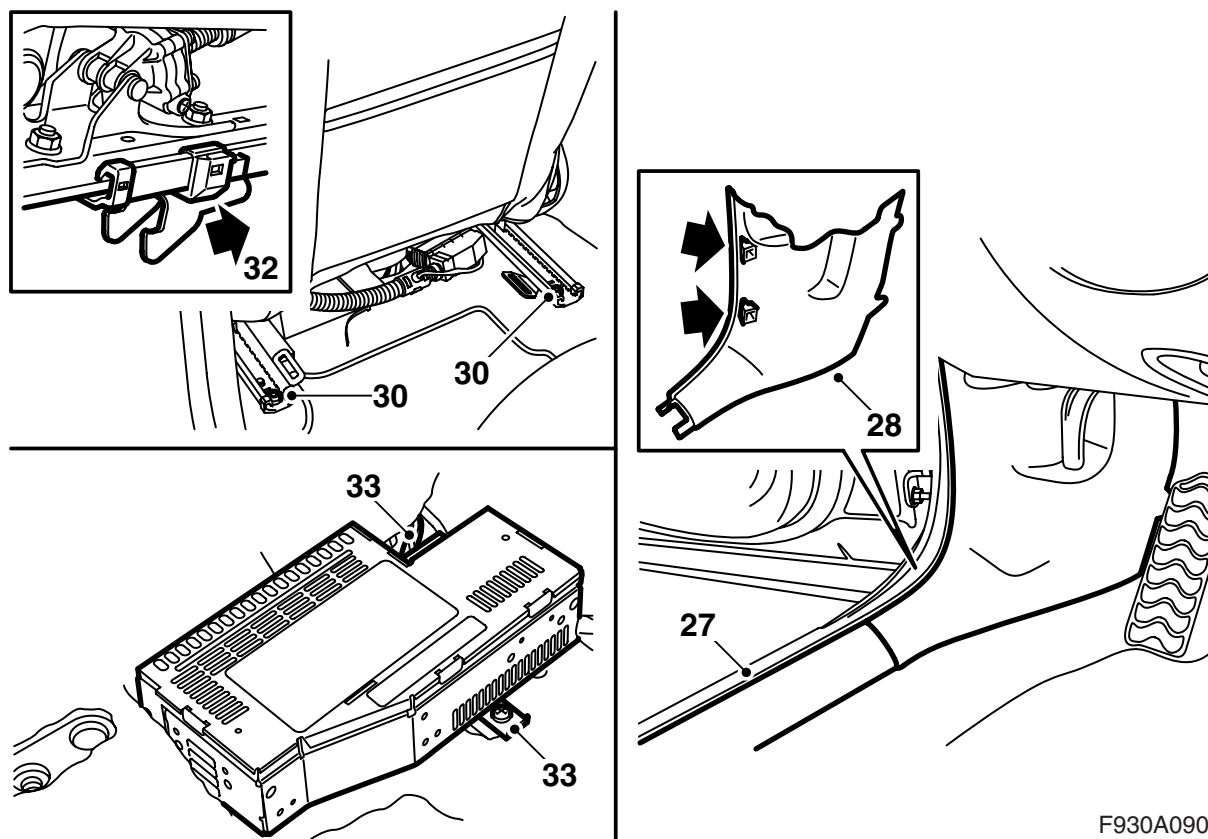


- 21 Position the C-pillar trim. Make sure that the screw with expander is in the correct position.

⚠ WARNING

Be careful not to damage the collision curtain. Damage can result in the collision curtain not providing the intended protection to occupants in the event of a side collision.

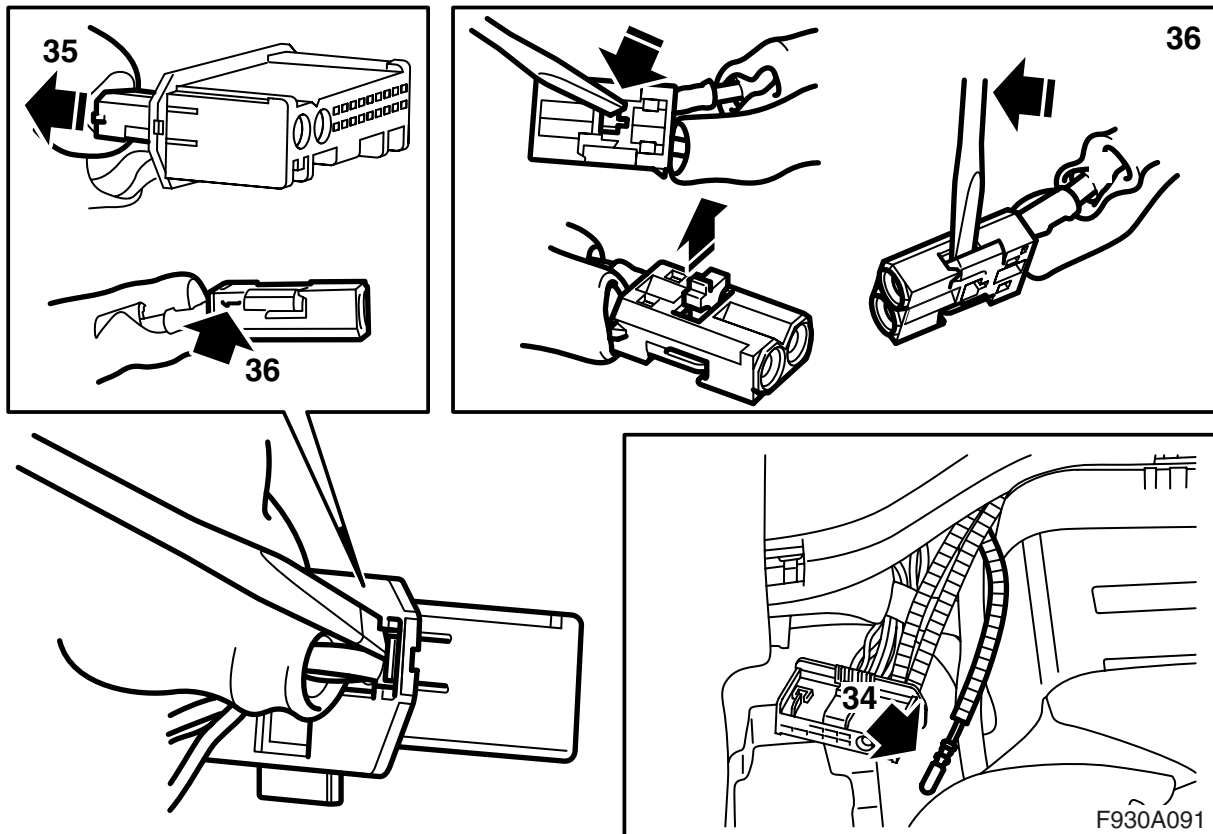
- 22 Tighten the screw.
Tightening torque 2 Nm (1.5 lbf ft)
- 23 Fit the cover washer to the C-pillar trim.
- 24 Slide in the parcel shelf trim. Make sure the lugs fully engage the mountings in the parcel shelf plate.
- 25 Fit the clips to the parcel shelf trim.
- 26 Raise the backrest. Check that the backrest is locked.
- Cars where there is no bracket at the REC:**
 Continue with step 27.
- Cars where the bracket at the REC is fitted:**
 Continue with step 62.



F930A090

Cars where there is no bracket at the REC

- 27 Remove the front scuff plate on the left-hand side of the car.
- 28 Remove the lower section of the A-pillar trim on the left-hand side.
- 29 Position the left-hand front seat in its most forward position and fold the backrest forwards.
- 30 Remove the two rear retaining screws from the seat.
- 31 Angle the seat forwards.
- 32 Pull the seat back so that the fitting hooks loosen from their positions. Fold the whole seat backwards.
- 33 Remove the amplifier.



Cars where there is no bracket at the REC

- 34 Locate the green marked fibre optic cable by the amplifier.

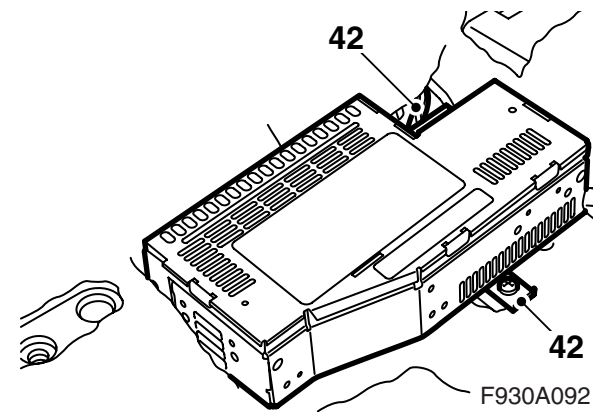
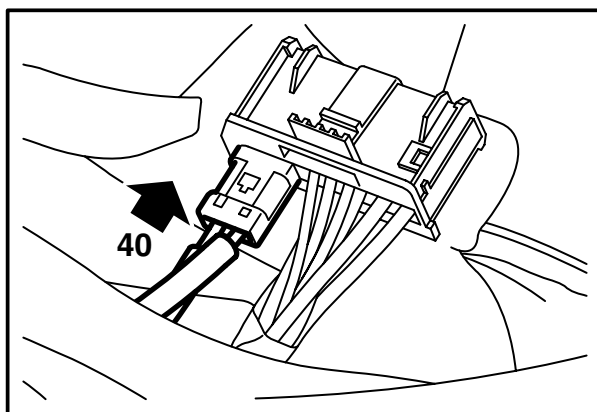
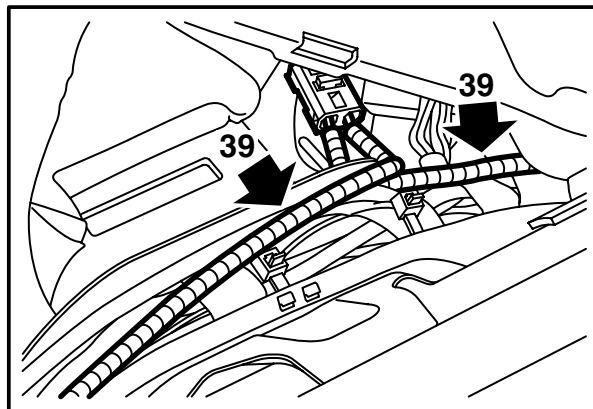
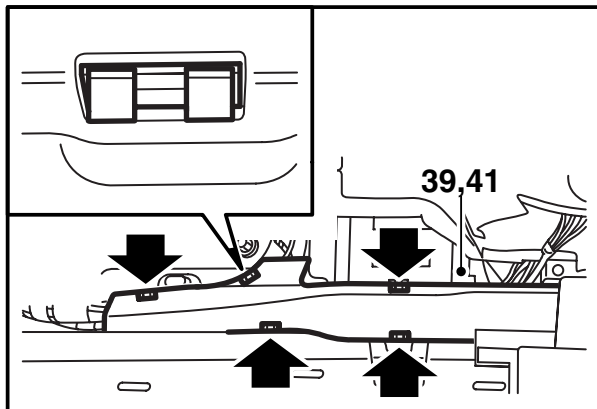
If there is no colour marking and there is no bracket by the REC: Follow the instructions in steps 58 and 59 in these fitting instructions, shine a light onto the fibre optic cable by the amplifier and check the fibre optic cables in the luggage compartment to identify the relevant fibre optic cable. Mark with a piece of tape.

- 35 Remove the fibre optic cables' connector (the small connector) from the amplifier's connector.
- 36 Remove the fibre optic cable connected to position 1 by opening the connector locking clip and carefully lifting the hook.
- 37 Remove the protective cover from the connection on the extra fibre optic cable.
- 38 Fit the protective cover onto the removed fibre optic cable connection and carefully move the fibre optic cable aside in order to prevent damage.

Important

Handle the fibre optic cables with care or the signal may be distorted.

- It is very important that the two leads in the connector are not confused with one another.
- Do not bend the cable in a radius smaller than 25 mm.
- Keep the cable ends free from dirt and grime.
- Do not expose the cable to impact as this may cause the transparent plastic to whiten, thereby reducing the intensity of the light and causing possible communication interruptions.
- The cable should not lie against any sharp edges as this may cause increased signal reduction.



Cars where there is no bracket at the REC

39 Remove the cover to the cable duct, check that the fibre optic cable cannot twist and fit the connection on the fibre optic cable in position 1 in the small connector to the amplifier. Fit the lock.

41 Fit the cover to the cable duct, draw back the carpet and guide out the connector and the cables through the hole in the carpet.

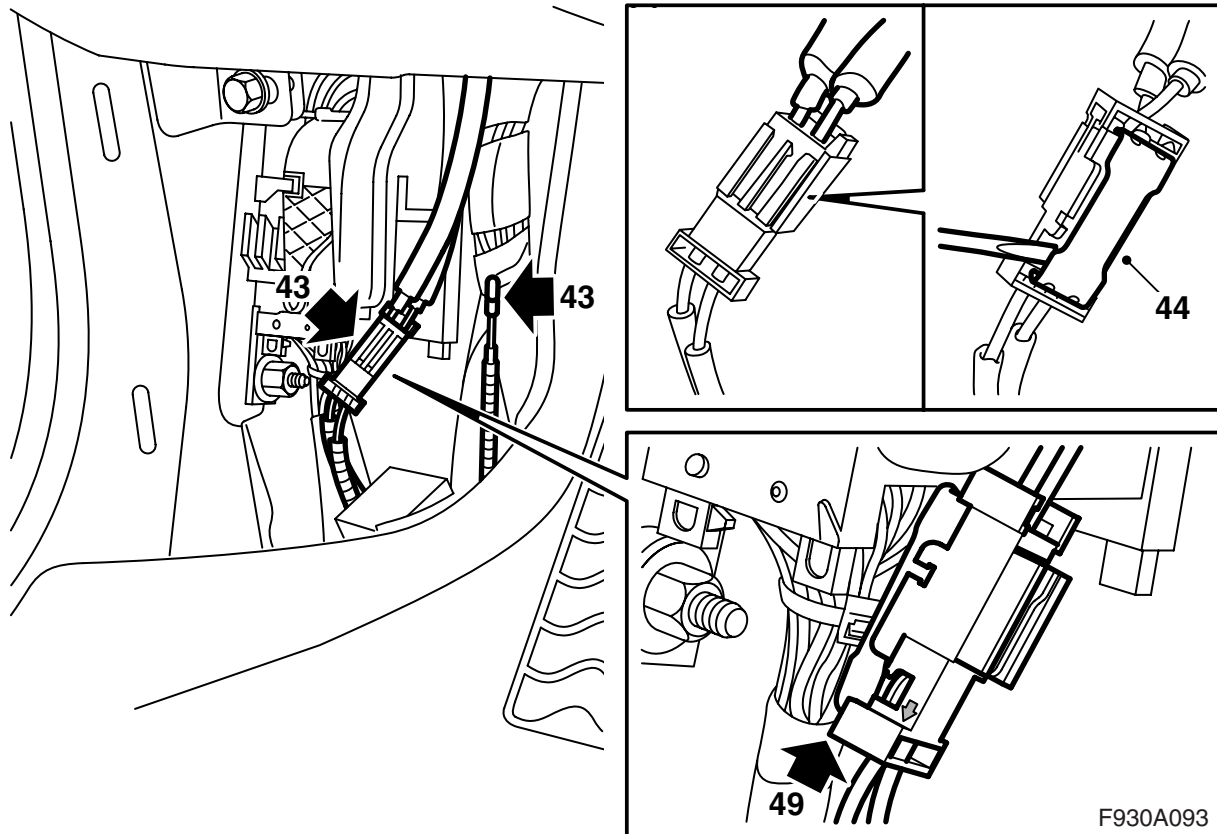
42 Connect and fit the amplifier.

Important

Handle the fibre optic cables with care or the signal may be distorted.

- It is very important that the two leads in the connector are not confused with one another.
- Do not bend the cable in a radius smaller than 25 mm.
- Keep the cable ends free from dirt and grime.
- Do not expose the cable to impact as this may cause the transparent plastic to whiten, thereby reducing the intensity of the light and causing possible communication interruptions.
- The cable should not lie against any sharp edges as this may cause increased signal reduction.

40 Fit the small connector to the large connector.



Cars where there is no bracket at the REC

- 43 Locate the loose fibre optic cable and the connector with the fibre optic cables connected by the left-hand A-pillar (taped to the cable duct).

WARNING

The visible red light is a class 1 laser. Do not look directly into the optical fibre or the control module connector at close range. A distance of less than 20 mm between your eyes and the light source may cause eye injury.

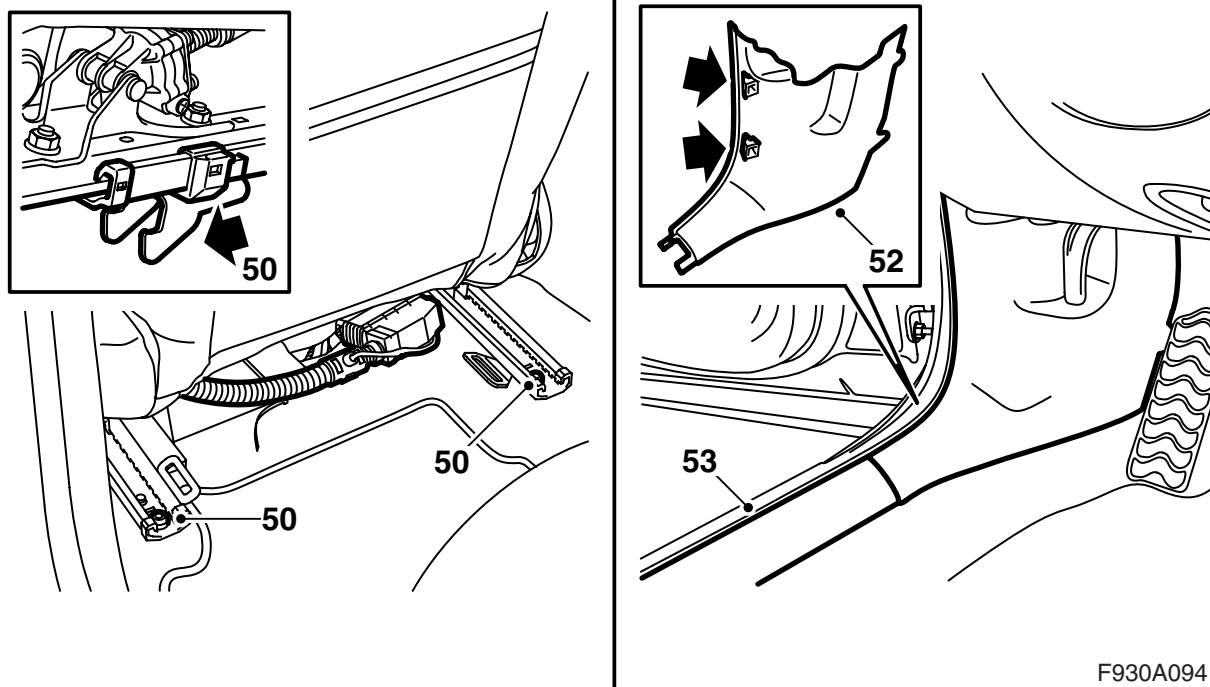
- 44 Lift up the connector lock tab.
45 Remove the fibre optic cable from the position in the connector where the arrow points outwards, to the fibre optic cable.

- 46 Remove the fixing tape from the loose fibre optic cable.
47 Remove the protective cover from the connection.
48 Fit the protective cover onto the removed fibre optic cable connection and carefully move the fibre optic cable aside in order to prevent damage, and position it behind the wiring harness.
49 Fit the connection to the new fibre optic cable in the connector and fit the lock tab.

Important

Handle the fibre optic cables with care or the signal may be distorted.

- It is very important that the two leads in the connector are not confused with one another.
- Do not bend the cable in a radius smaller than 25 mm.
- Keep the cable ends free from dirt and grime.
- The cable should not lie against any sharp edges as this may cause increased signal reduction.



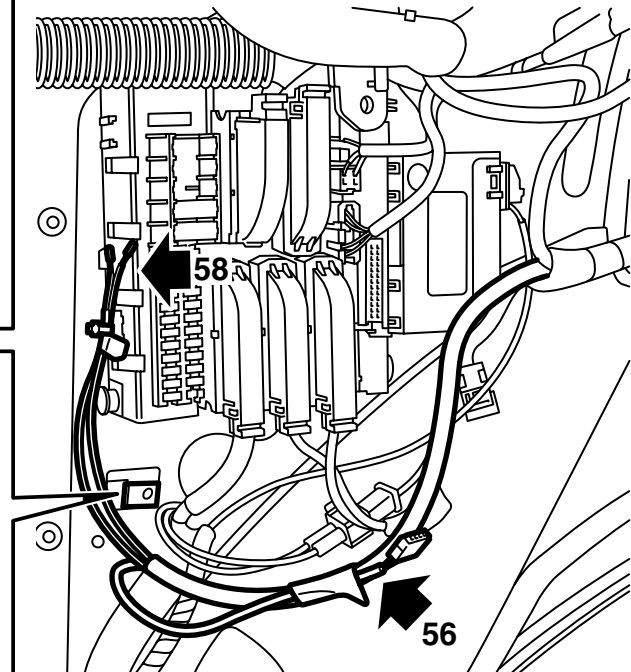
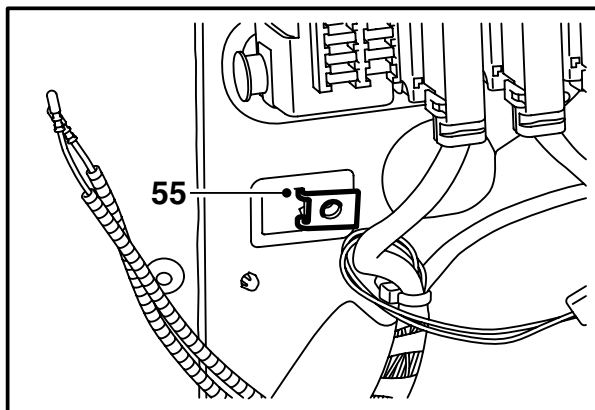
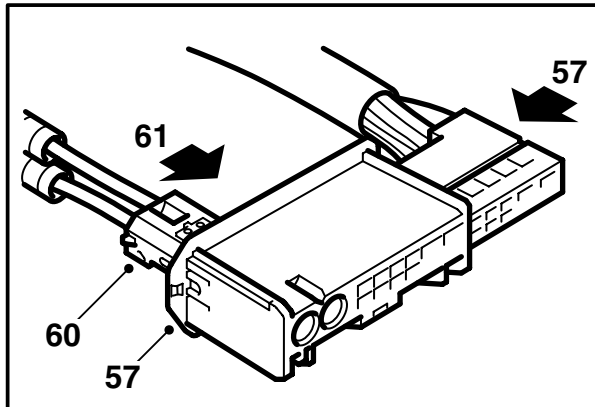
F930A094

Cars where there is no bracket at the REC

- 50 Set the seat in its correct position, be careful that the fitting hooks locate themselves correctly into their brackets, and fit the rear retaining screws.

Tightening torque 30 Nm (22 lbf ft)

- 51 Push the seat backwards and reset the position of the back rest.
- 52 Fit the A-pillar trim.
- 53 Fit the scuff plate.



F930A095

Cars where there is no bracket at the REC

- 54 Position the bracket in the luggage compartment.
- 55 Fit the clip nut in the square hole by the REC.
- 56 Locate the connector for the amplifier by the REC. Remove the tape and pull the connector forwards.
- 57 Fit the cover on the amplifier's connector.
- 58 Locate the fibre optic cable by the REC.
- 59 Remove the protective cover from the fibre optic cables' connections.

- 60 Fit the green marked connection on the fibre optic cable in position 1 in the small connector to the control unit and the unmarked connection on the fibre optic cable in position 2 in the small connector.

Important

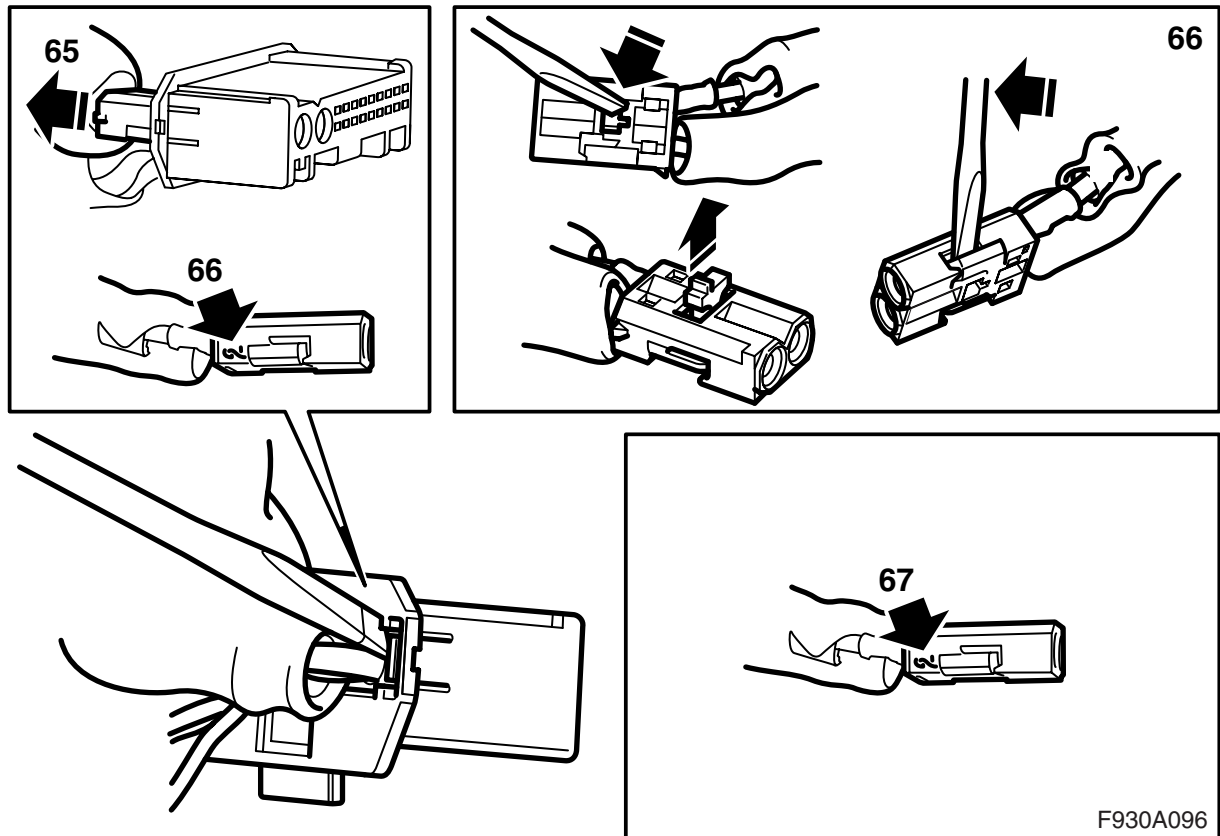
For cars without green marked fibre optic cable the fibre optic cable marked with tape earlier must be fitted in position 2 and the other unmarked connection must be fitted in position 1.

Fit the lock.

- 61 Fit the small connector to the large connector.
Proceed to step 73.

WARNING

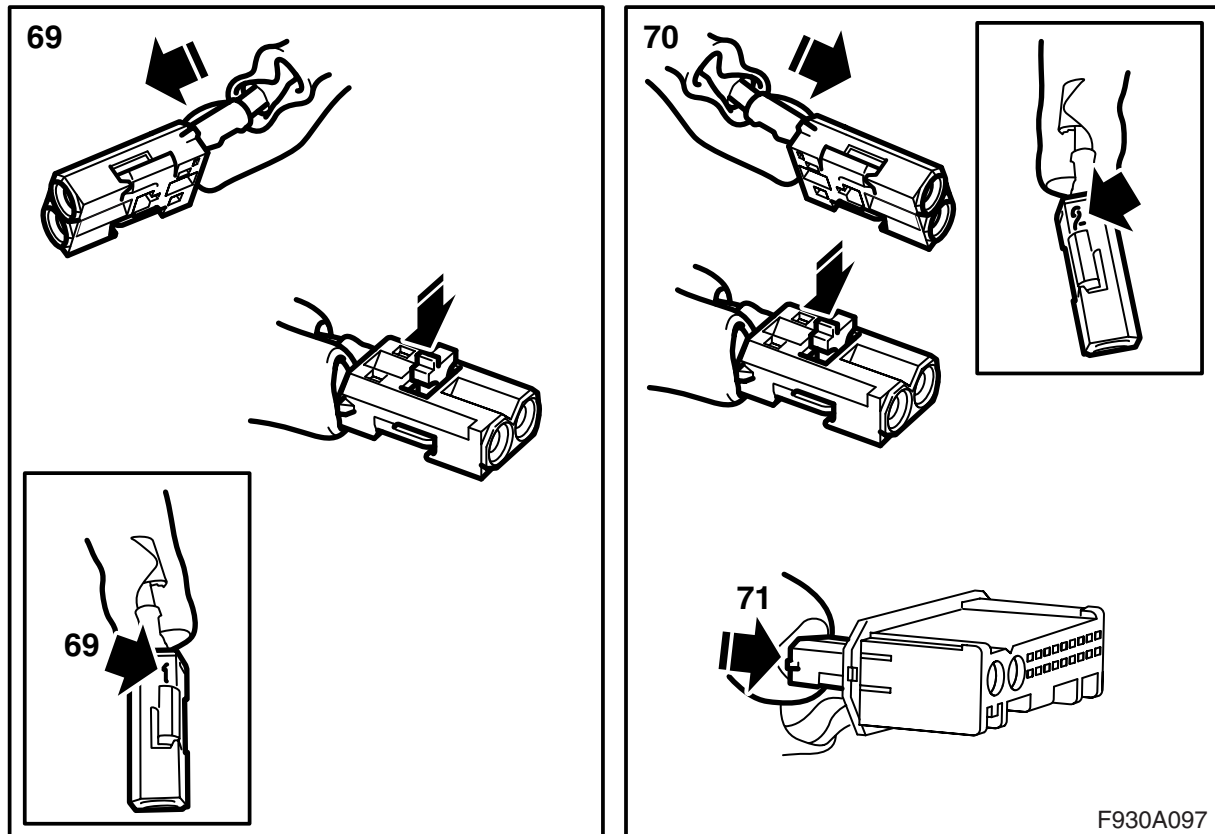
The visible red light is a class 1 laser. Do not look directly into the optical fibre or the control module connector at close range. A distance of less than 20 mm between your eyes and the light source may cause eye injury.



Cars where the bracket at the REC is fitted

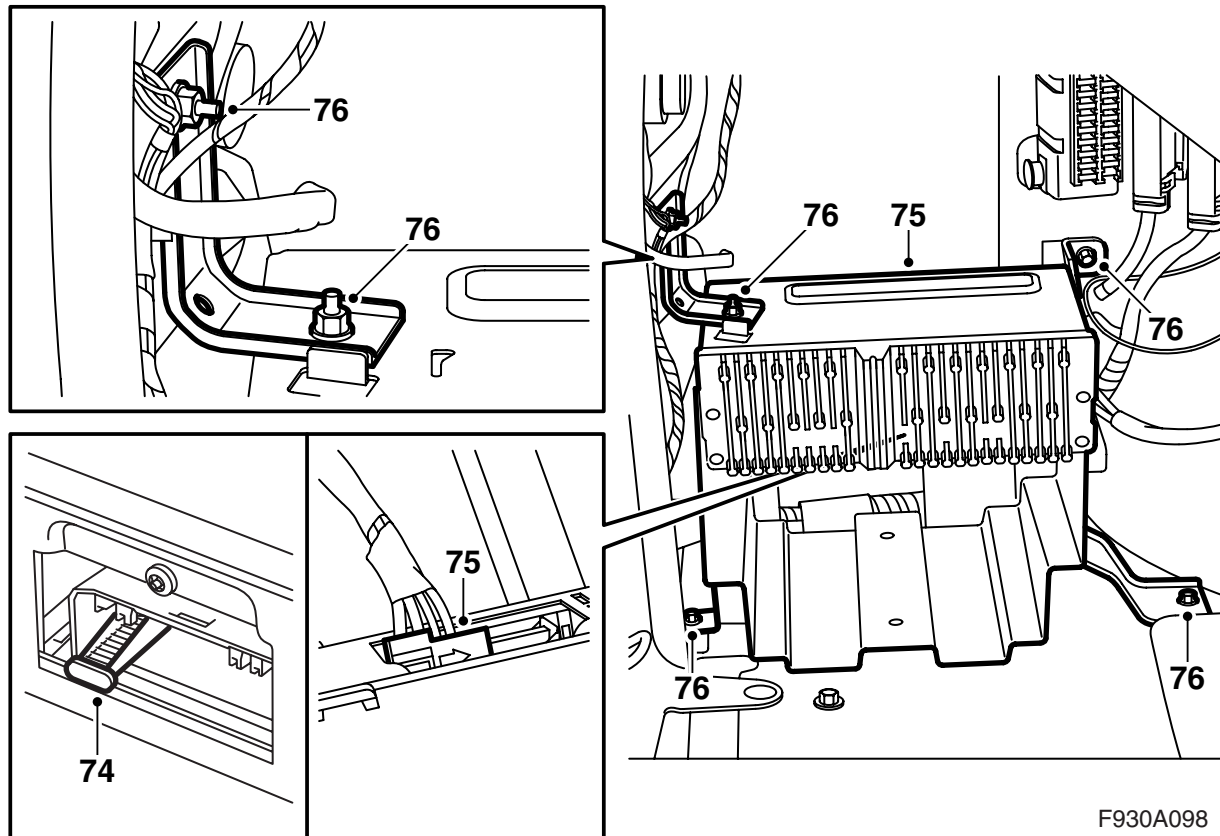
- 62 Remove the bracket and take it out to facilitate access.
- 63 Locate the connector for the amplifier by the REC. Remove the tape and pull the connector forwards.
- 64 Fit the cover on the amplifier's connector.
- 65 **CD changer or DVD player is fitted by the REC:** Remove the CD changer / DVD player connector and remove the small connector from the large connector.
- CD changer and DVD player is fitted by the REC:** Remove the CD changer connector and remove the small connector from the large connector.
- 66 **CD changer and/or DVD player is fitted:** Remove the fibre optic cable connected to position 2 in the removed connector by opening the lock in the connector and carefully lifting the hook.
- 67 **CD changer and/or DVD player is fitted:** Fit the connection on the fibre optic cable in position 2 in the set's connector.
- 68 **CD changer and/or DVD player is fitted:** Remove the protective cover from the connections on the accessory set's fibre optic cable.

F930A096



Cars where the bracket at the REC is fitted

- 69 **CD changer and/or DVD player is fitted:** Fit one connection on the set's fibre optic cable in position 1 in the set's connector. Fit the lock.
- 70 **CD changer and/or DVD player is fitted:** Fit the other connection on the set's fibre optic cable in position 2 in the removed connector. Fit the lock.
- 71 **CD changer and/or DVD player is fitted:** Fit the small connector in the large connector for the CD changer or DVD player.
- 72 **CD changer and/or DVD player is fitted:** Connect the CD changer or DVD player connector. Proceed to step 73.



73 Guide the connector for the amplifier through the bracket.

Important

Handle the fibre optic cables with care or the signal may be distorted.

- Do not bend the cable in a radius smaller than 25 mm.
- Do not expose the cable to impact as this may cause the transparent plastic to whiten, thereby reducing the intensity of the light and causing possible communication interruptions.
- The cable should not lie against any sharp edges as this may cause increased signal reduction.

74 Remove the protective cover over the fibre optic cable connection on the amplifier.

WARNING

The visible red light is a class 1 laser. Do not look directly into the optical fibre or the control module connector at close range. A distance of less than 20 mm between your eyes and the light source may cause eye injury.

75 Fit the amplifier in the bracket, a clicking sound should be heard, connect the amplifier and align the bracket.

Important

Handle the fibre optic cables with care or the signal may be distorted.

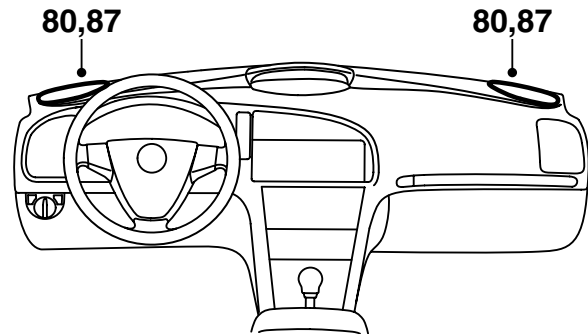
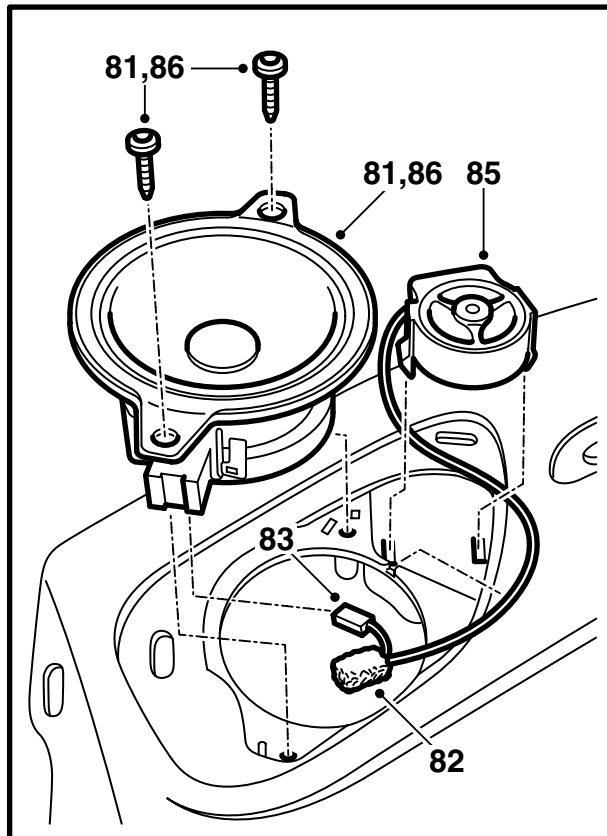
- It is very important that the two leads in the connector are not confused with one another.
- Do not bend the cable in a radius smaller than 25 mm.
- Keep the cable ends free from dirt and grime.
- The cable should not lie against any sharp edges as this may cause increased signal reduction.

76 Fit the bracket. Tighten the nut on the bracket's top side.

77 Fit the side trims.

78 Fit the new cover in the luggage compartment's left-hand side trim and fold up the cover on the right-hand side.

79 Lower the luggage compartment floor.



F930A099

- 80 Remove the front speaker grilles (tool 82 93 474 is recommended).
- 81 Remove the wide range speakers.
- 82 Remove the connector from the wide range speakers and connect the treble speakers. Guide the foam plastic sleeve over the connector.
- 83 Connect the connector from the treble speakers to the wide range speakers.
- 84 Guide down the wiring harness in the wide range speakers' holes and position the wiring harness for the treble speakers in the respective groove.
- 85 Fit the treble speakers by pressing them firmly into the holes.
- 86 Fit the wide range speakers.
- 87 Fit the speaker grilles.
- 88 Connect the negative battery cable.
- 89 Adjust the time and date.
- 90 Synchronise the remote control code by setting the key in the ignition.

- 92 Connect the diagnostic tool, select car and model year, select "All", select "Add/Remove", select the accessory and then "Add".

Note

The diagnostic tool will on some occasions need to retrieve a security code in TIS. Information on what to do will be displayed on the diagnostic tool display.

- 93 Check that the system is working.

Important

This must be done with all keys otherwise the remote controls will not work

- 91 Activate window lift pinch protection function by operating the side windows up and down twice. An audible confirmation will sound when activation is complete.