

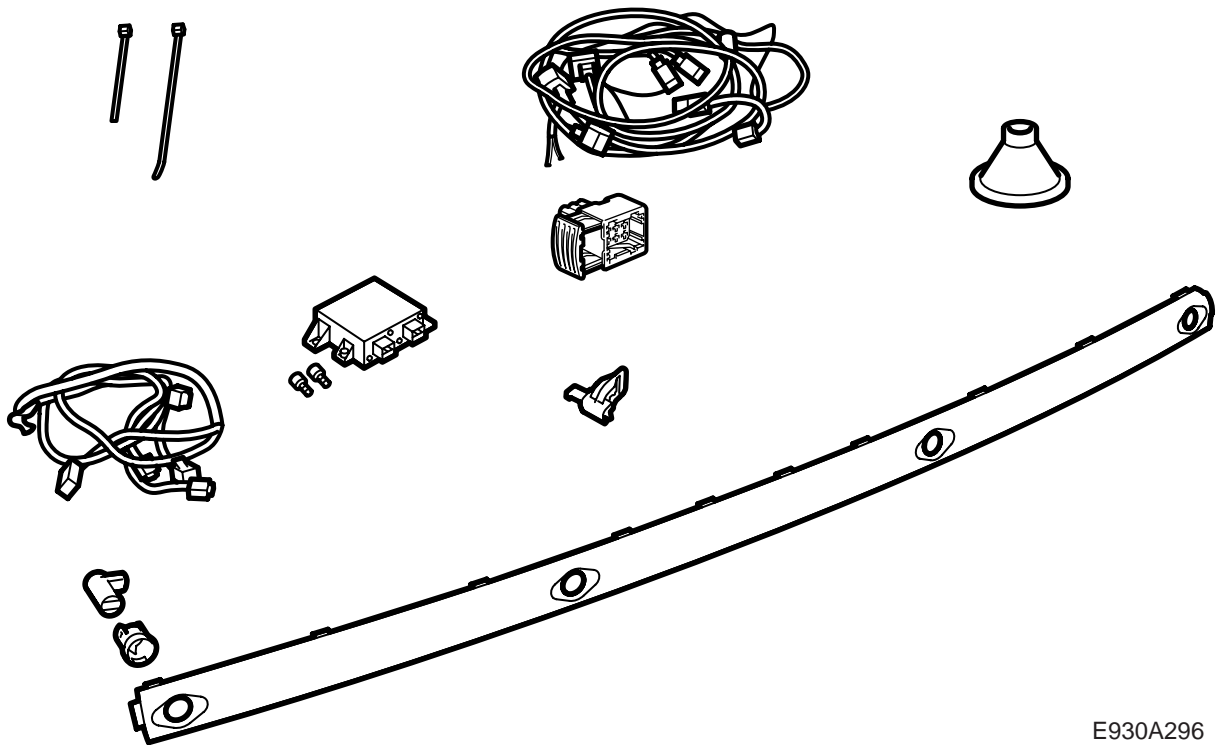


**MONTERINGSANVISNING · INSTALLATION INSTRUCTIONS  
MONTAGEANLEITUNG · INSTRUCTIONS DE MONTAGE**

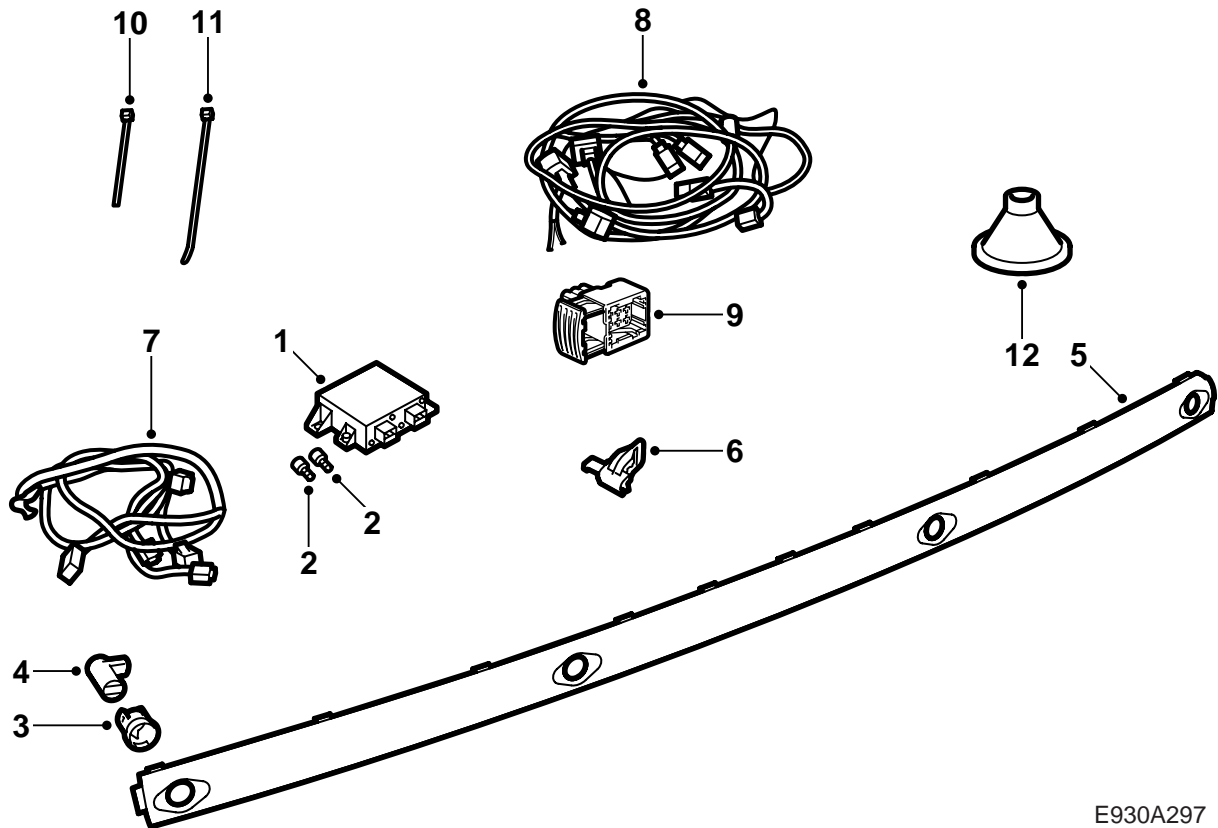
## Saab 9-5 4D

Parking assistance (SPA)

Accessories Part No.	Group	Date	Instruction Part No.	Replaces
32 000 573 400 132 189 400 133 112	9:40-02	Nov 05	55 20 697	55 20 697 Apr 03

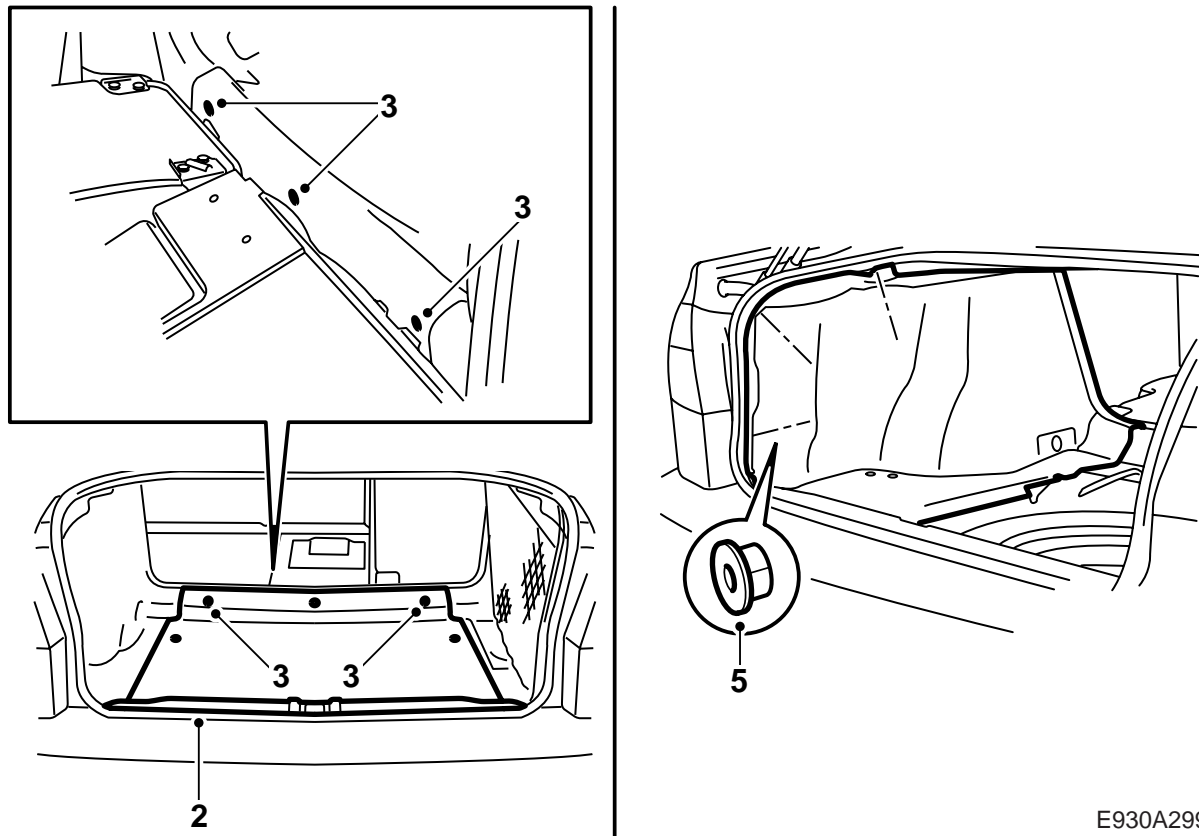


E930A296



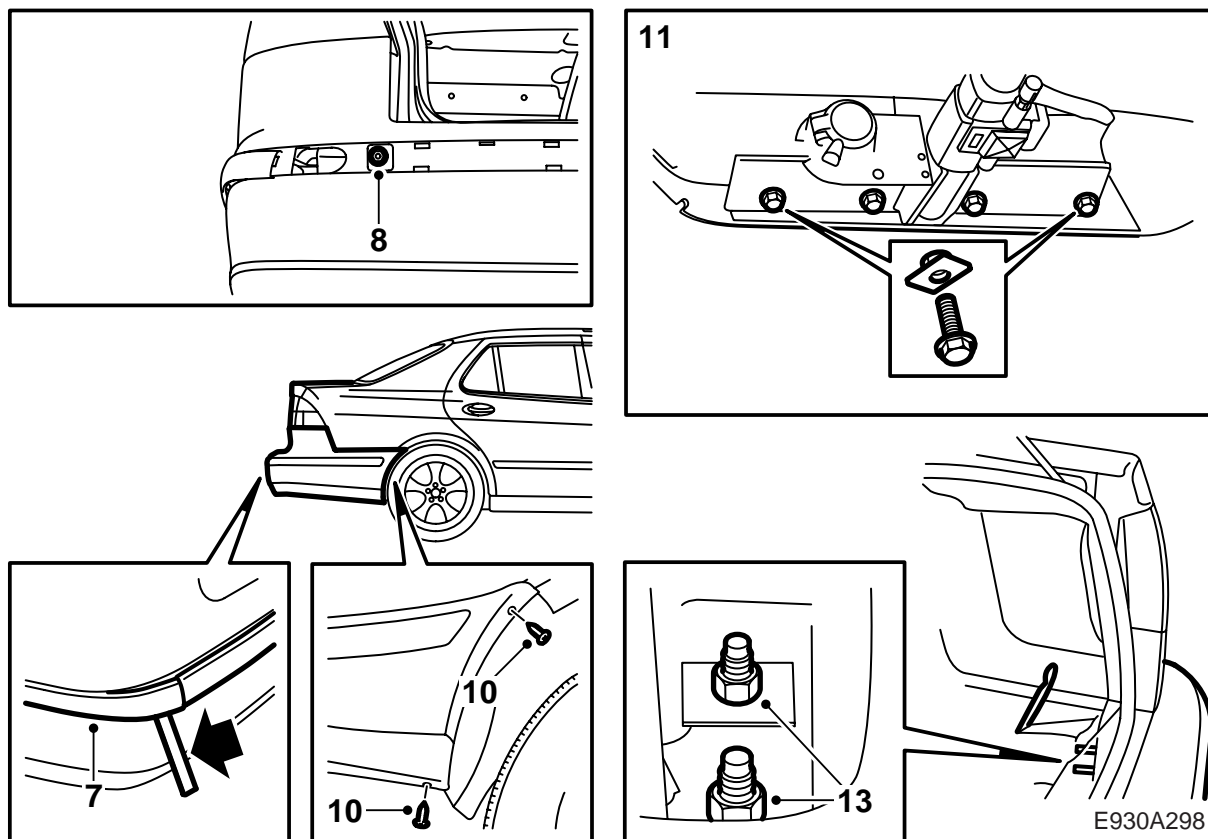
E930A297

- 1 Control module, SPA
- 2 Screw (x2)
- 3 Holder (x4)
- 4 Distance sensor (x4)
- 5 Decor strip, bumper (not included in the kits 32 000 573 and 400 133 112, purchased separately)
- 6 Connector bracket
- 7 Wiring harness, distance sensor
- 8 Wiring harness, SPA
- 9 Connector
- 10 Cable tie (x17)
- 11 Cable tie, rubber grommet
- 12 Rubber grommet



E930A299

- 1 Fold forward the rear seat seat cushions and lower the rear seat back rests.
- 2 Remove the luggage compartment scuff plate.
- 3 Remove the luggage compartment floor.
- 4 **Cars with CD changer:** Remove the CD changer and bracket.
- 5 Remove the left-hand side trim in the luggage compartment and the foam pads (x2) in the rear edge of the body.
- 6 Loosen and move aside the right-hand side trim in the luggage compartment and remove the foam pads (x2) in the rear edge of the body.



- 7 **Cars with towing bracket:** Loosen the corners of the bumper decor strip and remove the centre section.
- 8 **Cars with towing bracket:** Through the holes in the bumper shell, remove the bolt and nut of both reinforcements. Use a 3/8" extension bar with ball.
- 9 Raise the car.
- 10 Remove the bumper bolts at the wheel housings.
- 11 **Cars with towing bracket:** Detach the contact for the towing bracket wiring harness and remove the four bolts holding the towing bracket to the body.

---

### Important

The outer bolts are fitted in loose nut plates.

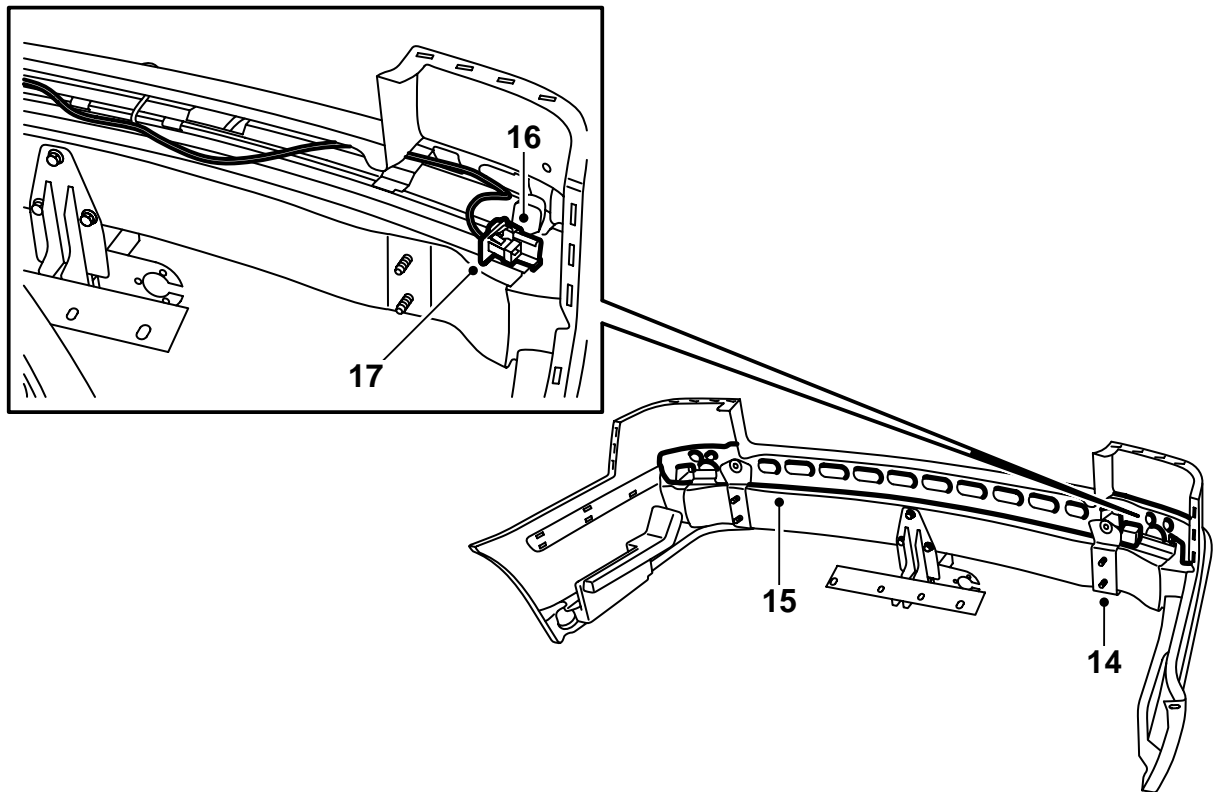
---

- 12 Lower the car.
- 13 Detach the bumper by removing the nuts from the luggage compartment and pulling the bumper's side pieces outward.
- 

### Important

Place the bumper on a clean, soft surface.

---



E930A300

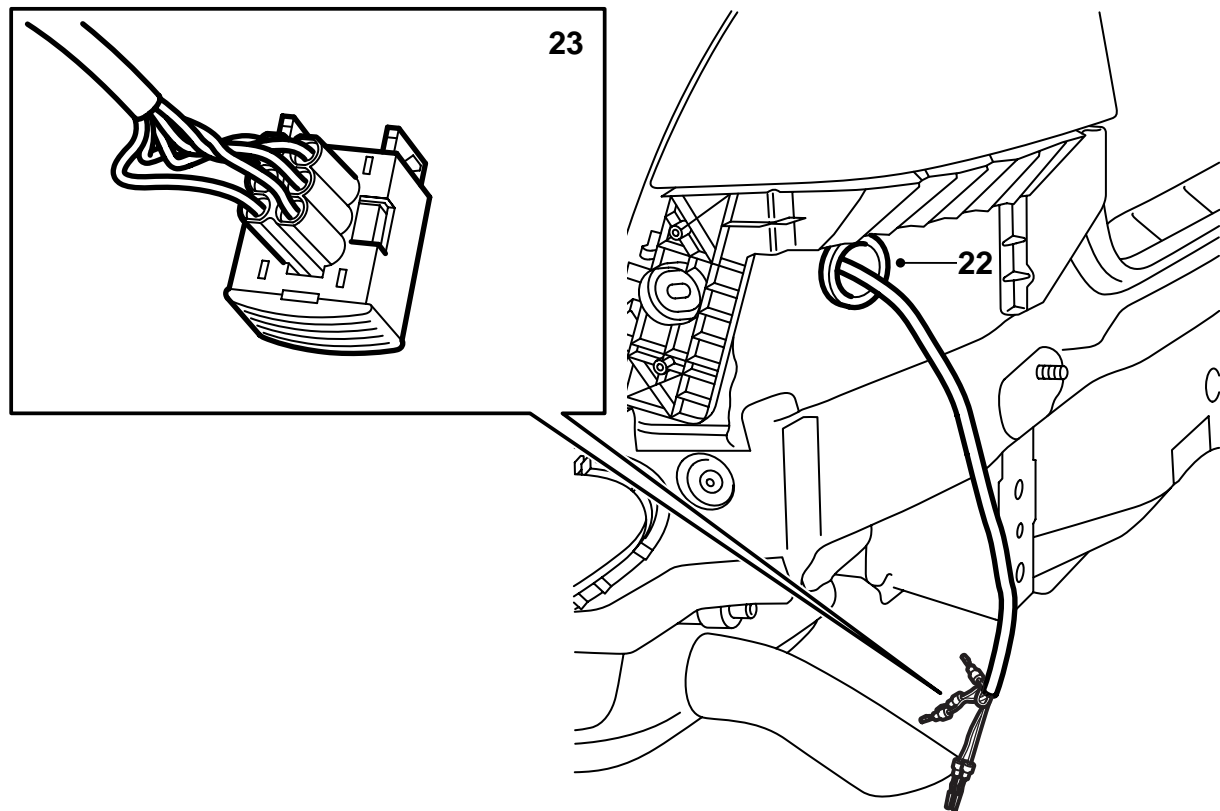
- 14 **Cars with towing bracket:** Remove the left-hand reinforcement.
- 15 Bend out the bumper shell support.
- 16 Fit the connector holder on the bumper rail.
- 17 Run the distance sensors' wiring harness along the bumper rail and fit the connector in the holder.
- 18 Fit the bumper shell support and check that the wiring harness runs freely and is not pinched.

**⚠ WARNING**

Check that the wiring harness is not pinched. Incorrect fitting can damage the wiring harness and cause a short circuit/fire.

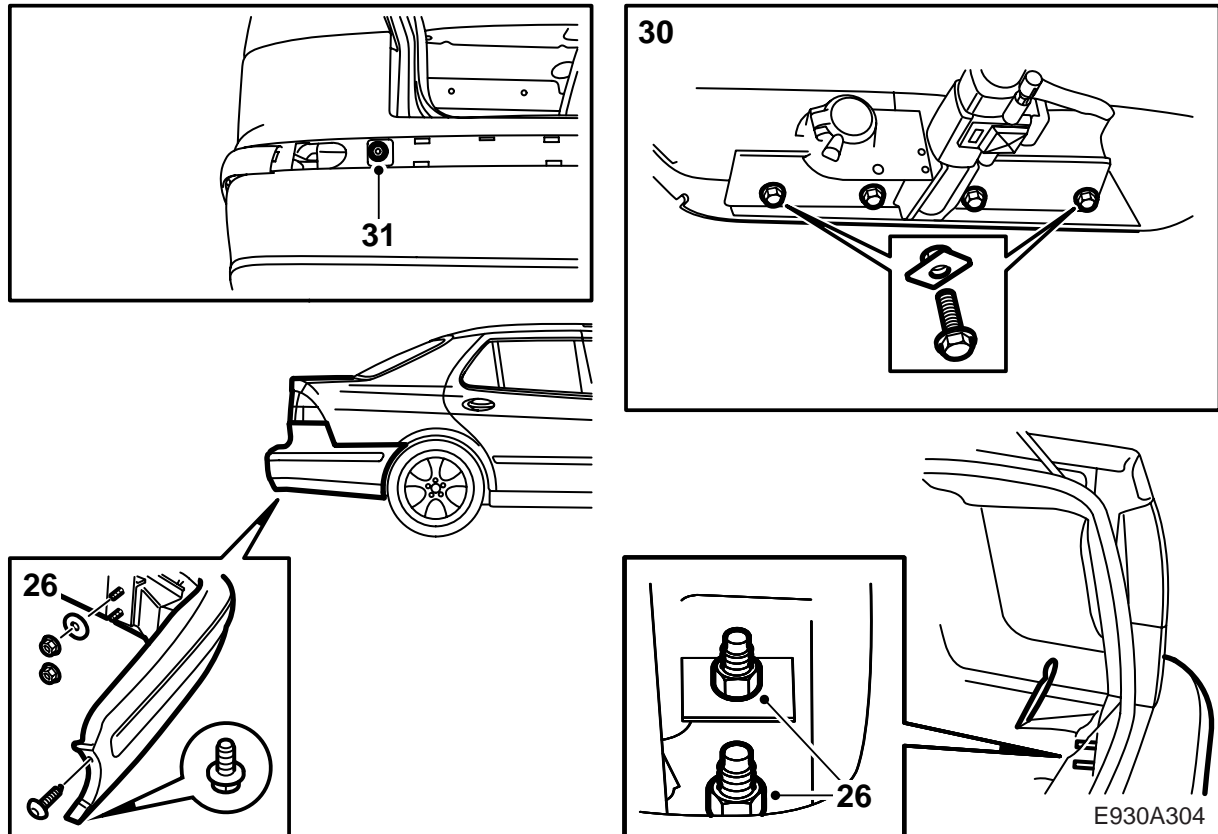
- 19 **Cars with towing bracket:** Fit the left-hand reinforcement.

**Tightening torque 25 Nm (20 lbf ft).**

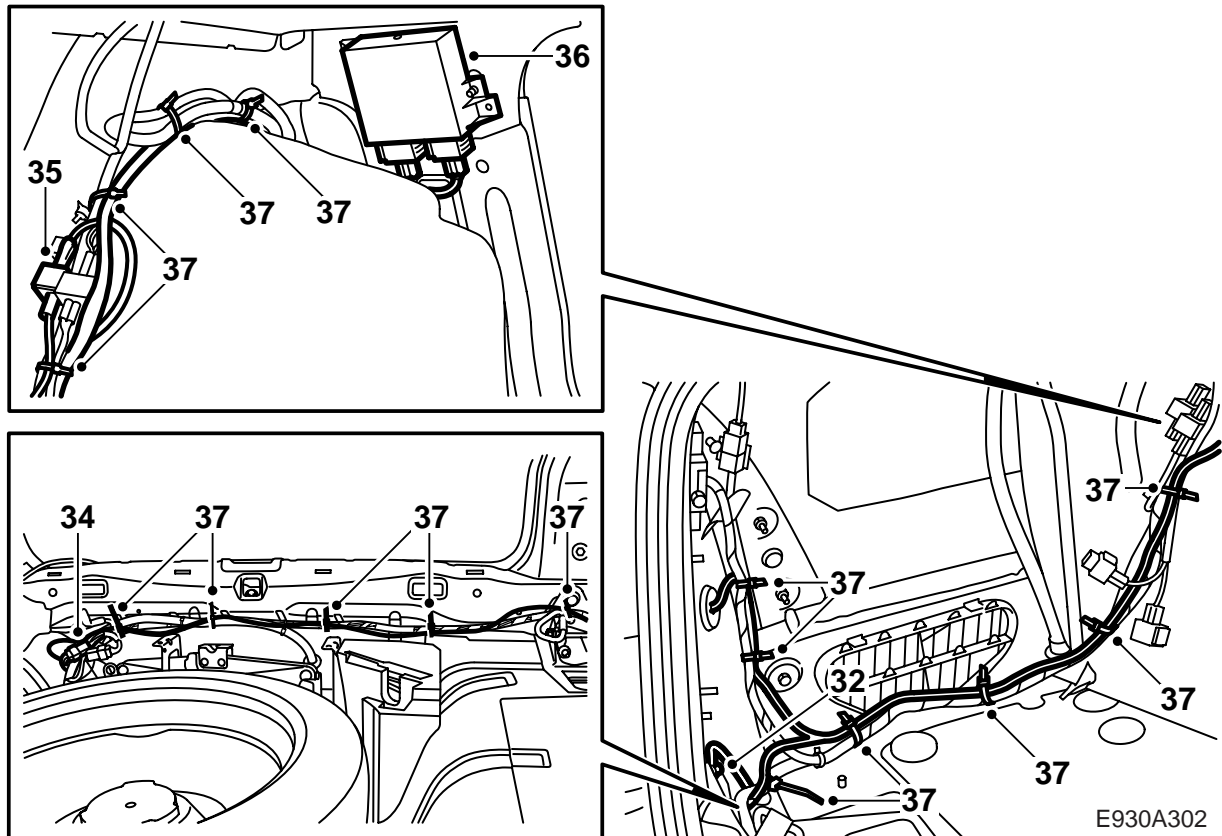


E930A301

- 20 Fit the rubber grommet on the parking assistance system's wiring harness with the funnel-shaped end directed towards the car. The grommet should be located 370 mm from the end of the taping at the cable terminals.
- 21 Remove the rubber plug below the left-hand tail lamp.
- 22 Draw the wiring harness through the hole and fit the rubber grommet.
- 23 Insert the cable terminals as follows:
  - 1 Black (BK)
  - 2 Brown (BN)
  - 3 Yellow (YE)
  - 4 Blue (BU)
  - 5 Orange (OG)
  - 6 Grey (GY)
- 24 Affix tape and fit a cable tie on the rubber grommet.



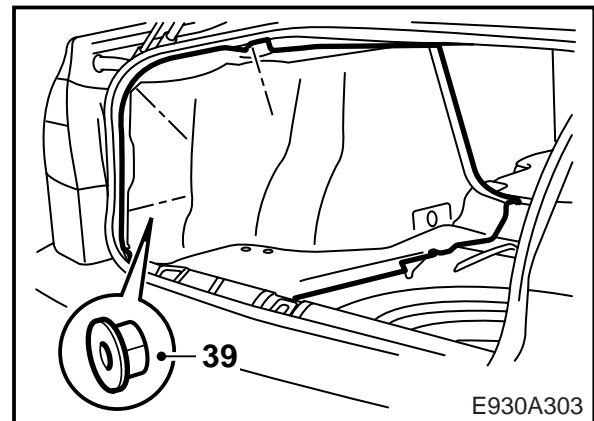
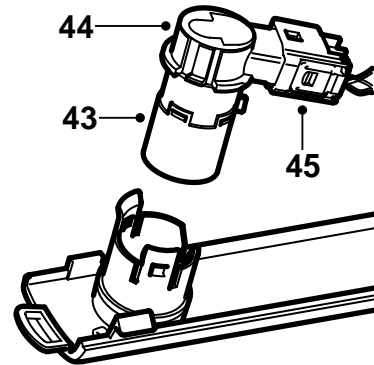
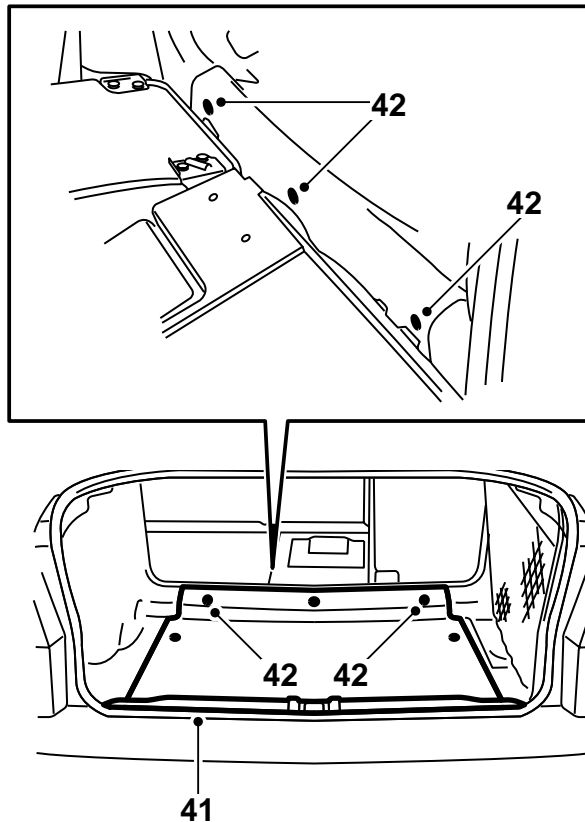
- 25 Fit in the bumper and plug in the connector.
- 26 Fit the bumper to the car with nuts and with washers under the top nuts.  
**Tightening torque 40 Nm (30 lbf ft).**
- 27 Raise the car.
- 28 Fit the bumper bolts at the wheel housings.
- 29 **Cars with towing bracket:** Fit the contact for the towing bracket wiring harness.
- 30 **Cars with towing bracket:** Fit the bolts and nut plates holding the towing bracket to the body.  
**Tightening torque 40 Nm (30 lbf ft).**
- 31 **Cars with towing bracket:** Screw in the reinforcements on the car through the holes in the bumper shell.  
**Tightening torque 40 Nm (30 lbf ft).**



E930A302

- 32 Attach the ground cable to the grounding point in the luggage compartment below the left-hand tail lamp.
- 33 Run the thicker section of the wiring harness to the left-hand wheel housing and the thinner section along the luggage compartment sill to the right-hand side of the car.
- 34 Connect the connector to the provision for the towing bracket wiring harness.  
**Cars with towing bracket:** Unplug the connectors and attach both connectors of the wiring harness to them.
- 35 Plug in the wiring harness connector to the provision for the CD changer and fit the blind plug to the SPA harness connector. Affix anti-rattle tape and secure with a cable tie to avoid rattle.  
**Cars with CD changer:** Unplug the connectors and connect each wiring harness connector to them. Affix anti-rattle tape and secure with a cable tie to avoid rattle.
- 36 Insert the screws in the control module holes, connect the wiring harness to the control module, and fit the control module with connectors facing down onto the plate behind the rear seat back rest. Tighten the screws.
- 37 Use cable ties (x17) to secure the wiring harness along its entire route. Gather excess wiring harness and secure it above the wheel housing





- 38 Fit the foam pads (2 on each side) in the rear edge of the body.
- 39 Fit the side trim in the luggage compartment.
- 40 **Cars with CD changer:** Fit the CD changer bracket, connect and fit the CD changer.
- 41 Fit the luggage compartment scuff plate.
- 42 Fit the luggage compartment floor.
- 43 Fit the distance sensor holders to the bumper's new decor strip.
- 44 Fit the distance sensors in the holders.

### Important

The position of the holders may need to be adjusted to facilitate the fitting of the sensors.

- 45 Connect the wiring harness to the distance sensors.

### Important

There is only one way to fit the bumper decor strip.

Insert excess wiring harness into the bumper shell and fit the decor strip to the bumper.

### WARNING

Check that the wiring harness is not pinched. Incorrect fitting can damage the wiring harness and cause a short circuit/fire.

- 46 Fit the corners of the bumper.

- 47 Set back the rear seat back rests and seat cushions.
- 48 With the ignition key in the ON position and reverse gear engaged, check that the system warns against objects in the rear by using tones. The first tone is given when an object is at a distance of 1.8 metres. The signal then has a frequency of 2 tones per second, but the number of tones per second increases the closer the object becomes to the vehicle and changes as follows:
- 1.8 - 1.3 m: 2 tones/second
  - 1.3 - 0.9 m: 3 tones/second
  - 0.9 - 0.3 m: from 5 to 12 tones/second in close stages
  - 0.3 m: continuous tone