

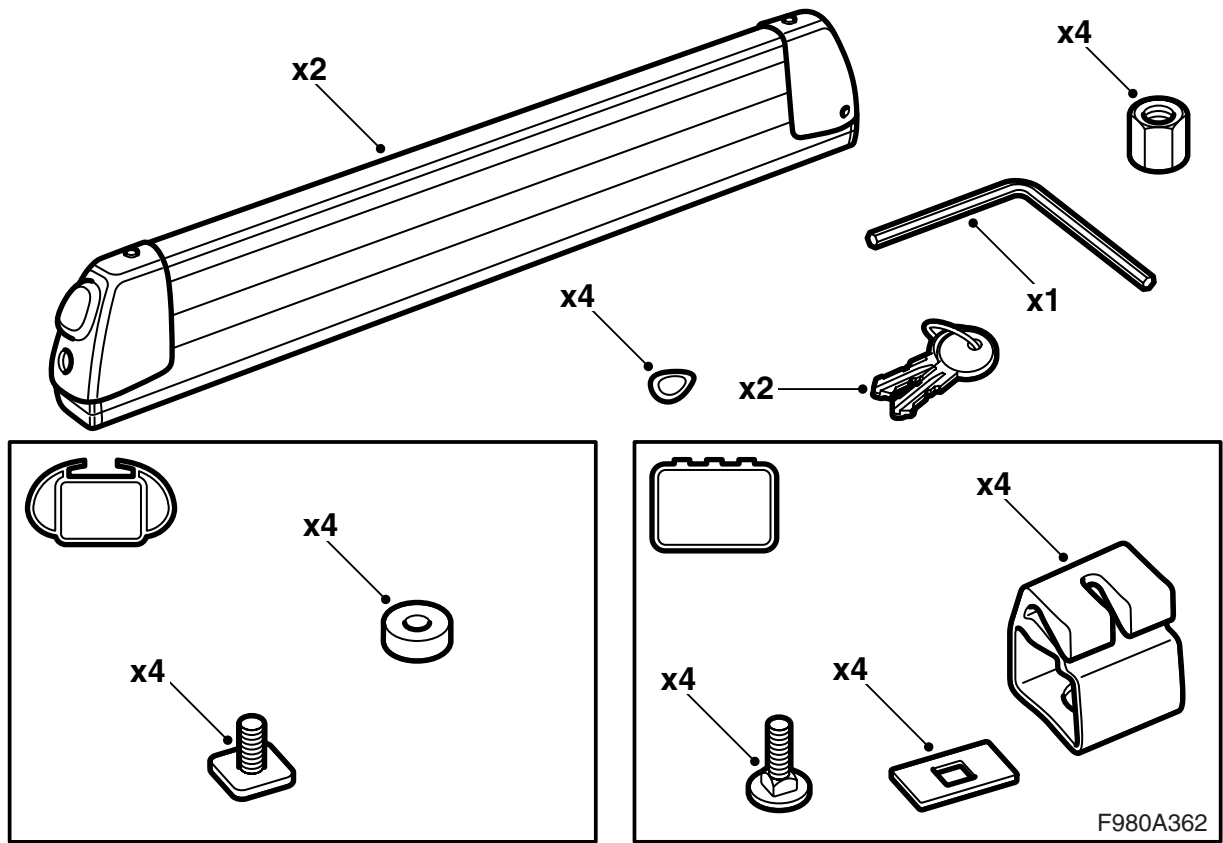


**MONTERINGSANVISNING · INSTALLATION INSTRUCTIONS
MONTAGEANLEITUNG · INSTRUCTIONS DE MONTAGE**

Extensible ski/snowboard carrier

Accessories Part No.	Date	Instruction Part No.	Replaces
32 000 586	Dec 04	32 000 587 B24 9203 30	





Important

 **WARNING**

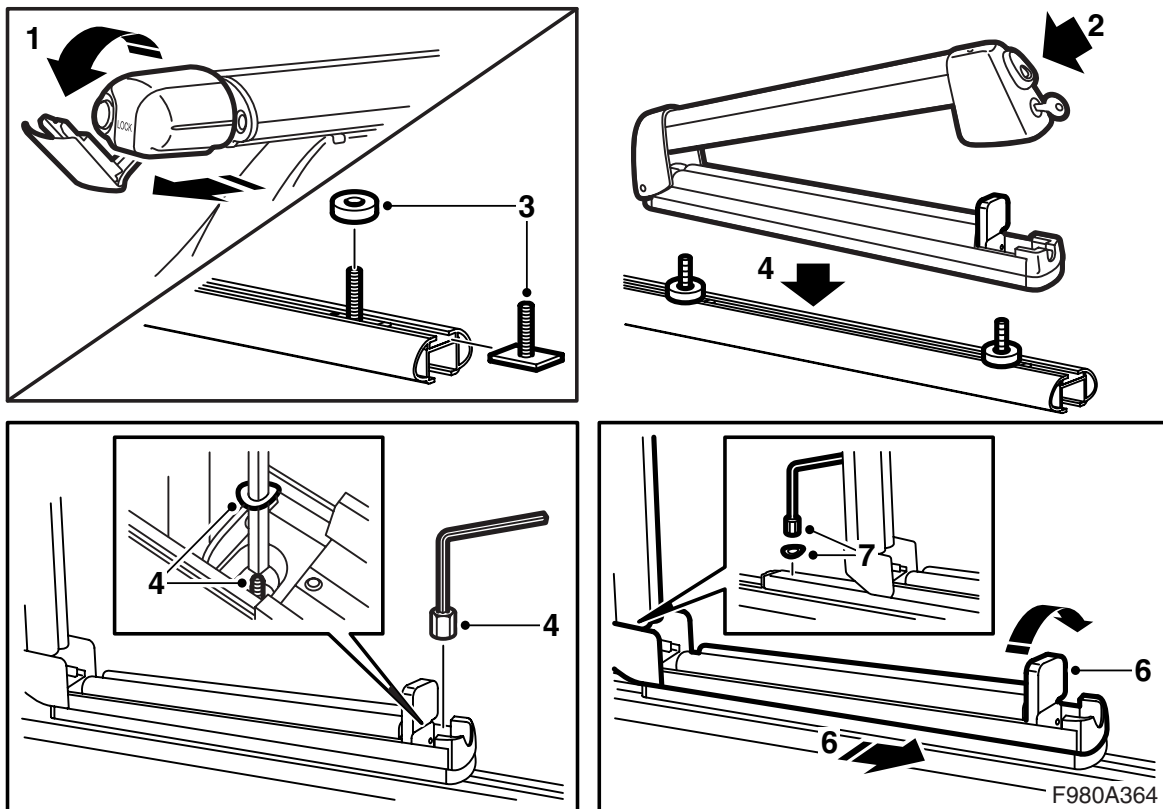
Read the installation instructions carefully before using the ski/snowboard carrier. Carefully follow these instructions when fitting the ski/snowboard carrier and keep them in the car for future reference.

Adapt the speed of the car to take into account the change in centre of gravity and aerodynamics caused by the weight and profile of the roof load.

- Do not fit or use the carriers before you have understood the installation instructions. **The product must not be modified.**
- Maximum permitted roof load (including load carrier): See the Owner's Manual for the car and information relating to the load carriers.
Ski/snowboard carriers' weight: 4.5 kg.
- The ski/snowboard carriers are designed for a maximum of 6 pairs of skis **or** 4 snowboards.
- The carriers may only be used for transporting skis and snowboards.
- Make sure all fasteners are secured before driving off. Stop after a short distance and check all the fasteners.
- General Motors is not responsible for any damage caused by incorrectly fitted load carriers or accessories. If in doubt, contact your local dealer.

Advice and tips

- Skis are positioned side by side in pairs. Position the skis with the tips pointing backwards. The best position for snowboards can vary according to car model.
- Check that the distance between load and car roof is always at least 10 mm.
- Conduct regular maintenance on the carriers, including keeping them free from dirt and salt and lubricating the locks.
- For safety reasons and to reduce wind resistance, the carriers should be removed when not in use. The load carriers must be removed before the car is taken through an automatic car wash.



Fitting in the T-track

- 1 Pull out the load carrier end plugs and/or fold down the centre section.
- 2 Unlock the ski/snowboard carriers and open them.
- 3 Slide in 2 T-track bolts in each carrier's track and fit a plastic washer to each bolt.
- 4 Fit the ski/snowboard carriers on the bolts and fit a washer and a nut on the outer bolt.

Note

Use the Allen key as an aid to fitting the washer to the bolt.

- 5 Adjust the position of the ski/snowboard carriers and tighten the nuts when the ski/snowboard carriers are suitably positioned.

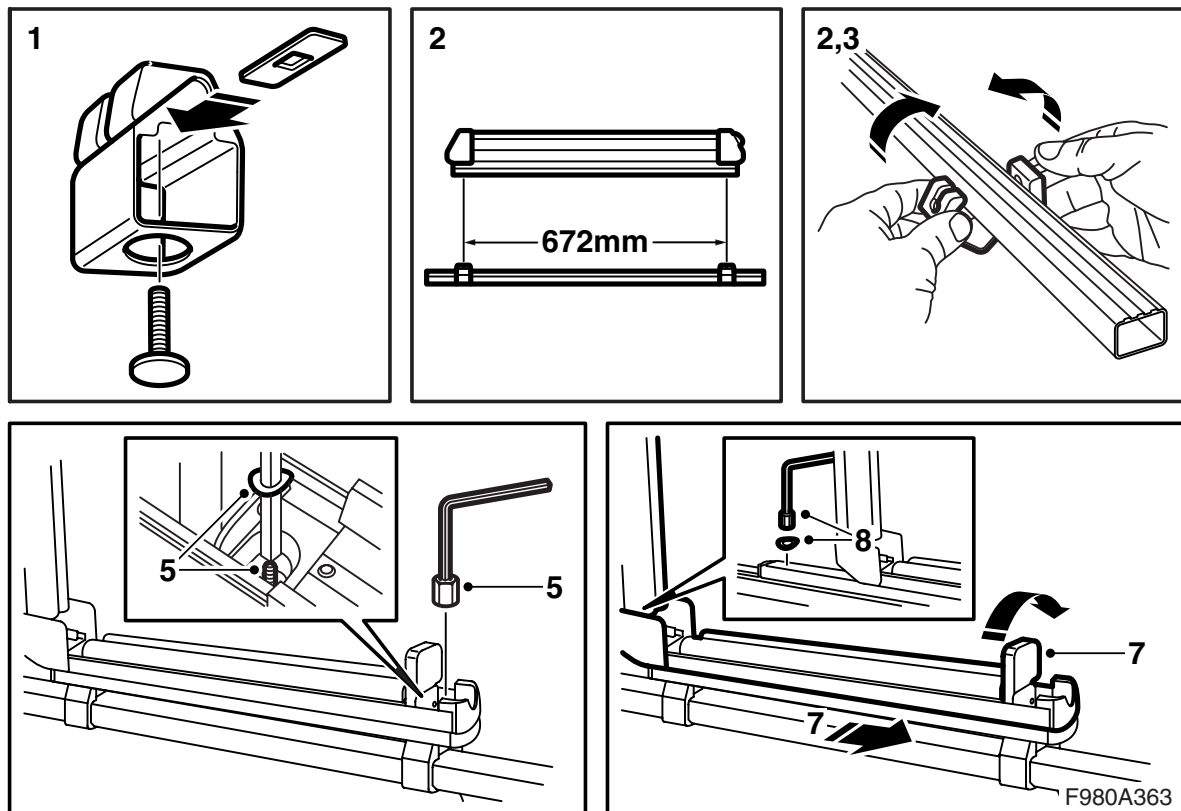
Tightening torque 4 Nm (3 lbf ft).

- 6 Fold the deadlock to the right and pull out the ski/snowboard carriers.
- 7 Fit a washer and a nut on the other bolt and tighten the nuts.

Tightening torque 4 Nm (3 lbf ft).

- 8 Slide in the ski/snowboard carriers and fold up the deadlock. Close and lock them.
- 9 Fold up the centre section of the load carrier end plugs and insert the end plugs.

These installation instructions should be stored in the car.



Fitting on square bars.

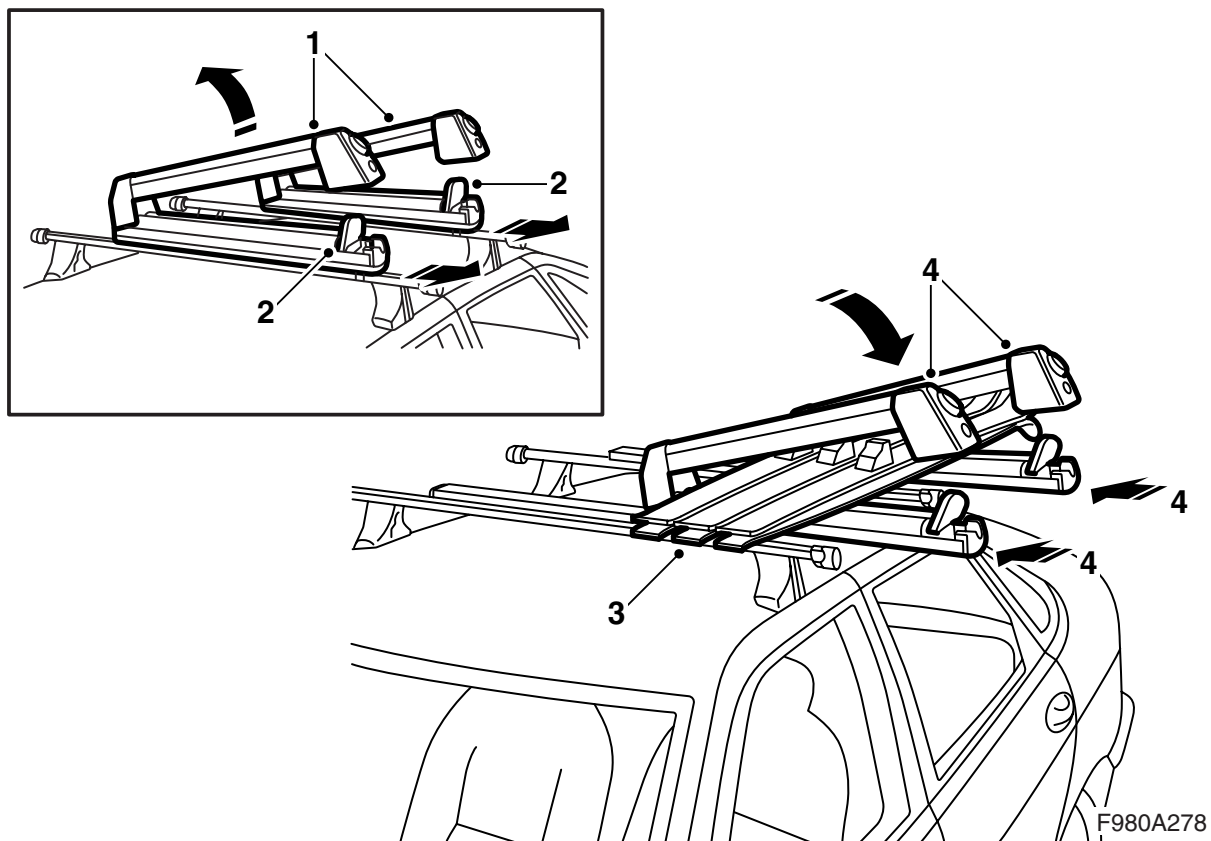
- 1 Fit bracket, washer and nut together.
- 2 Open the brackets and fit them on the load carriers. The outer bracket must be fitted just inside the base of the load carrier and the other bracket must be fitted so that there is 672 mm between the bolt centres.
- 3 Squeeze the brackets together so that the upper surface is horizontal.
- 4 Unlock the carriers and open them.
- 5 Fit the ski/snowboard carriers on the bolts and fit a washer and a nut on the outer bolt.

Note

Use the Allen key as an aid to fitting the washer to the bolt.

- 6 Tighten the nuts.
Tightening torque 4 Nm (3 lbf ft).
- 7 Fold the deadlock to the right and pull out the ski/snowboard carriers.
- 8 Fit a washer and a nut on the other bolt and tighten the nuts.
Tightening torque 4 Nm (3 lbf ft).
- 9 Slide in the ski/snowboard carriers and fold up the deadlock. Close and lock them.

These installation instructions should be stored in the car.



User instructions

- 1 Unlock the carriers and open them.
- 2 Fold the deadlock to the right and pull out the ski/snowboard carriers.
- 3 Fit the skis/snowboard in the carriers.
- 4 Slide in the ski/snowboard carriers and fold up the deadlock. Close and lock them.

These installation instructions should be stored in the car.