

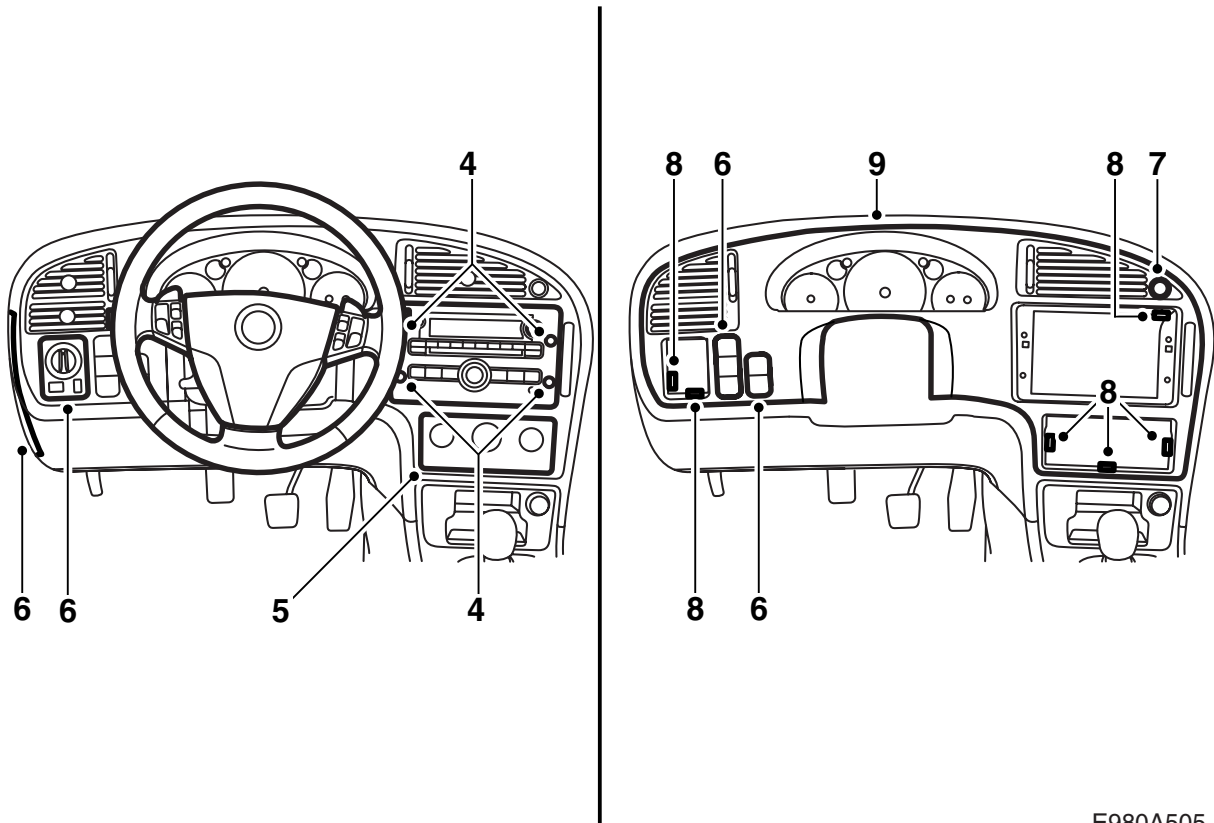


**MONTERINGSANVISNING · INSTALLATION INSTRUCTIONS  
MONTAGEANLEITUNG · INSTRUCTIONS DE MONTAGE**

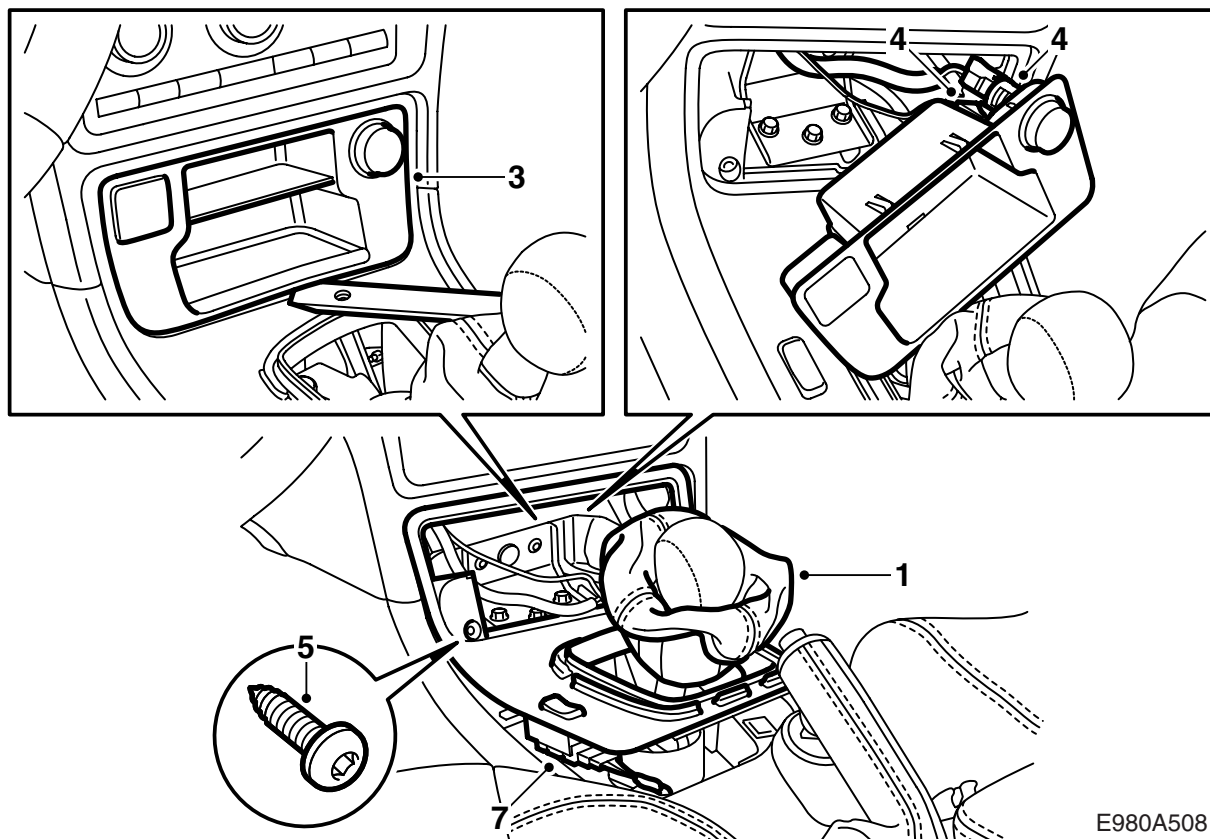
**Saab 9-5 M06-**

**Gear lever cover**

| Accessories Part No.   | Group   | Date   | Instruction Part No. | Replaces |
|--|---------|--------|----------------------|----------|
| 32 025 584<br>32 025 585<br>32 025 586<br>32 025 587<br>32 025 588<br>32 025 589 | 9:85-29 | Apr 05 | 32 025 502           |          |

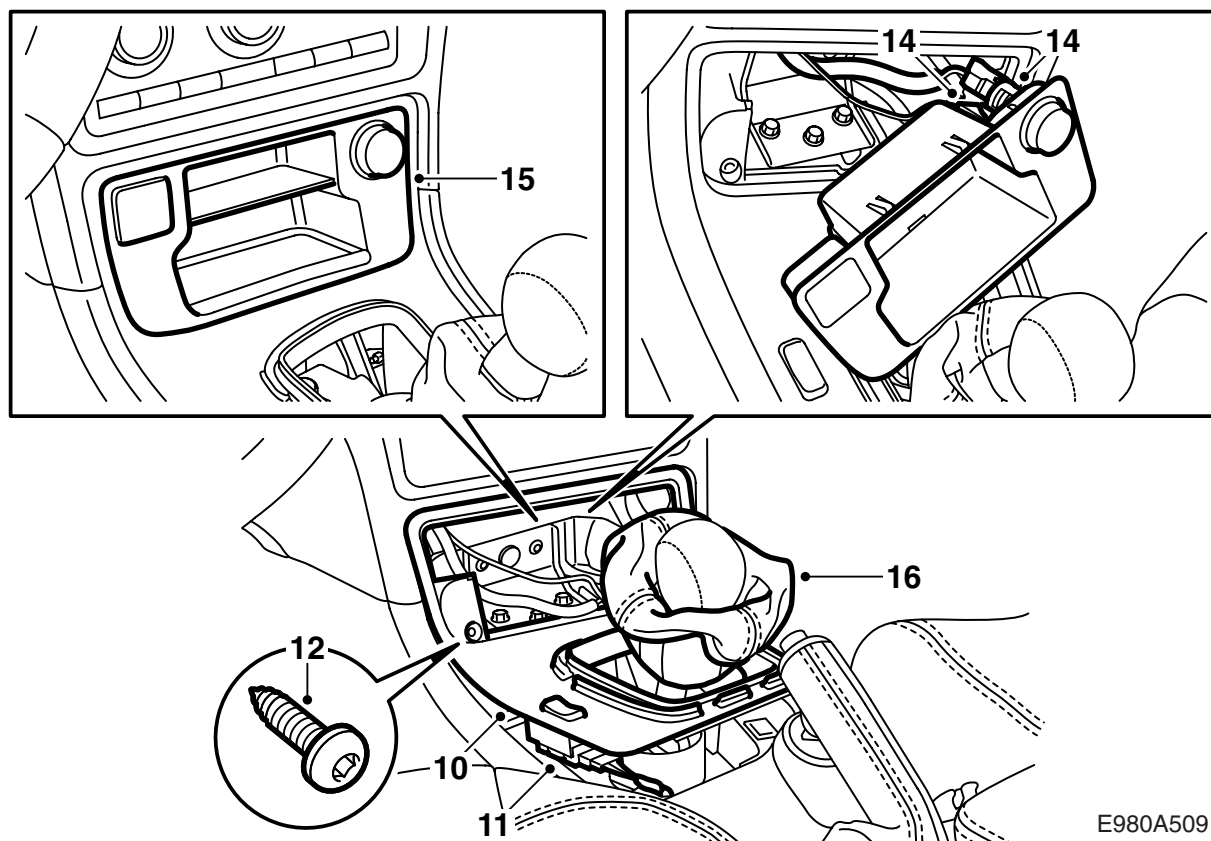


E980A505



E980A508

- 1 **Manual gearbox:** Lift up the gear lever gaiter.
- 2 **Automatic transmission:** Remove the selector lever indicator surround using special tool 82 93 474.
- 3 Remove the compartment or ashtray with the holder using special tool 82 93 474.
- 4 Detach the connector for the cigarette lighter socket.  
**OnStar:** Detach the connector.
- 5 Unscrew the screws located behind the compartment, two screws.
- 6 Using the special tool 82 93 474, carefully prize up the gear lever cover starting from the back.
- 7 Unplug the connector to the central locking switch.
- 8 Lift up the gear lever cover.
- 9 **Manual gearbox:** Remove the surround for the old gear lever cover and fit the surround to the new cover.



- 10 Fit the new gear lever cover into place.
  - 11 Plug in the connector to the central locking switch.
  - 12 Screw in the gear lever cover at the front, two screws.
  - 13 Firmly press in the gear lever cover at the back.
  - 14 Plug in the connector to the cigarette lighter socket.
- OnStar:** Attach the connector.
- 15 Fit the ashtray or the compartment.
  - 16 **Manual gearbox:** Refit the gear lever gaiter.
  - 17 **Automatic transmission:** Fit the selector lever indicator surround.