

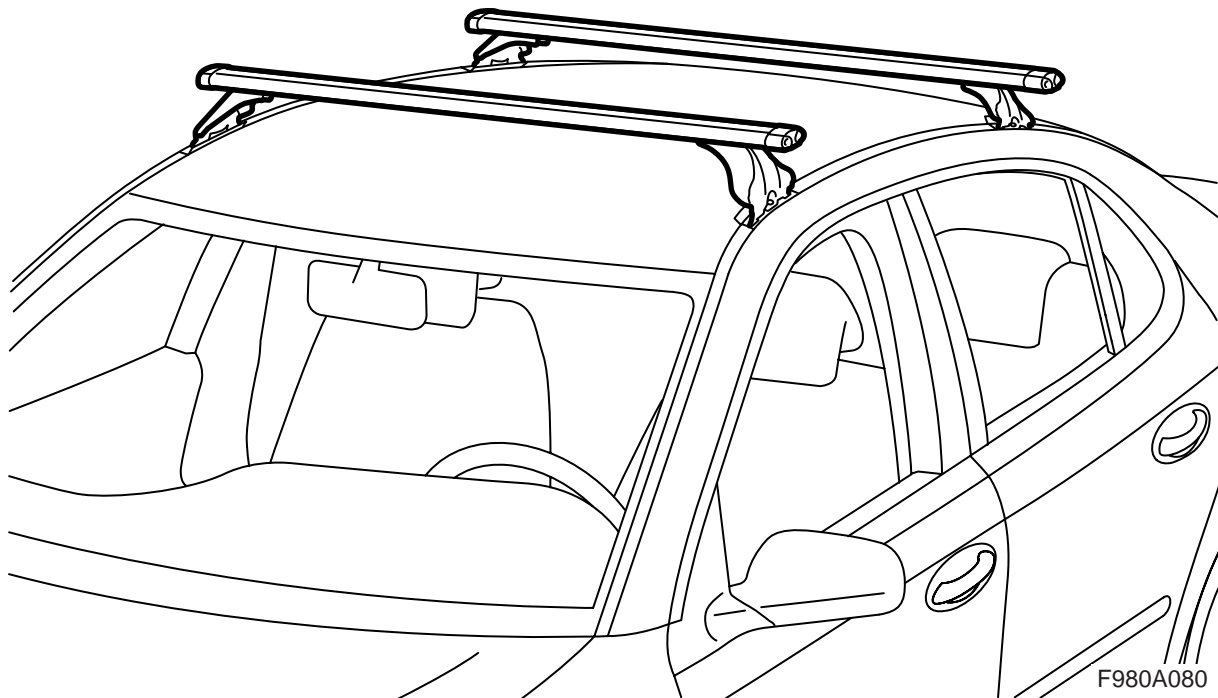


**MONTERINGSANVISNING · INSTALLATION INSTRUCTIONS  
MONTAGEANLEITUNG · INSTRUCTIONS DE MONTAGE**

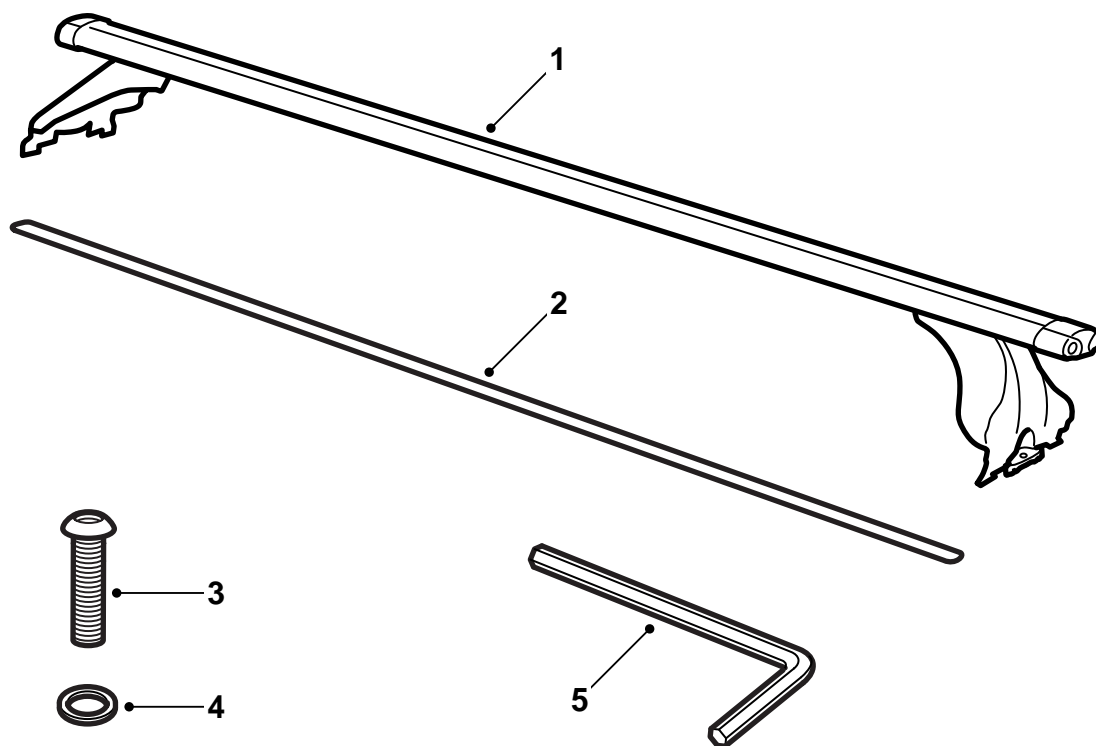
## Saab 9-3 M03-

Load carrier

Accessories Part No.	Group	Date	Instruction Part No.	Replaces
12 797 738 12 797 739 32 025 591 32 025 592	9:89-11	Mar 05	12 797 744	12 797 744 Sep 02

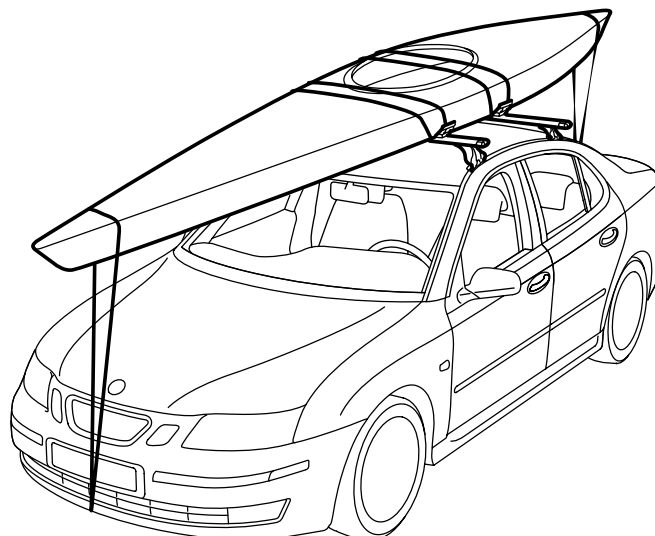
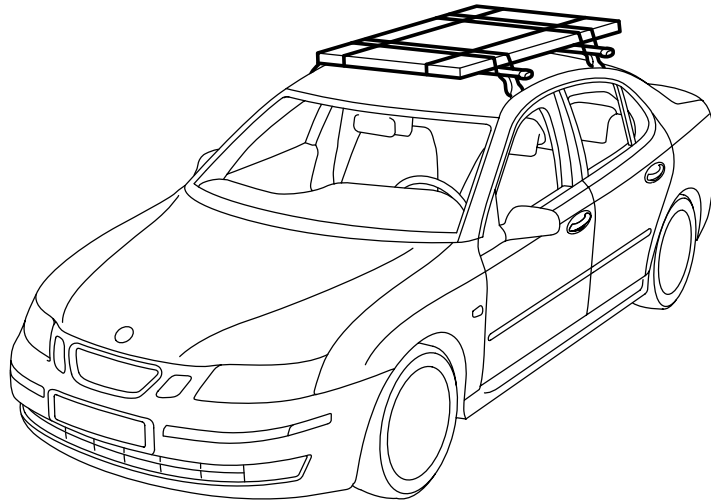
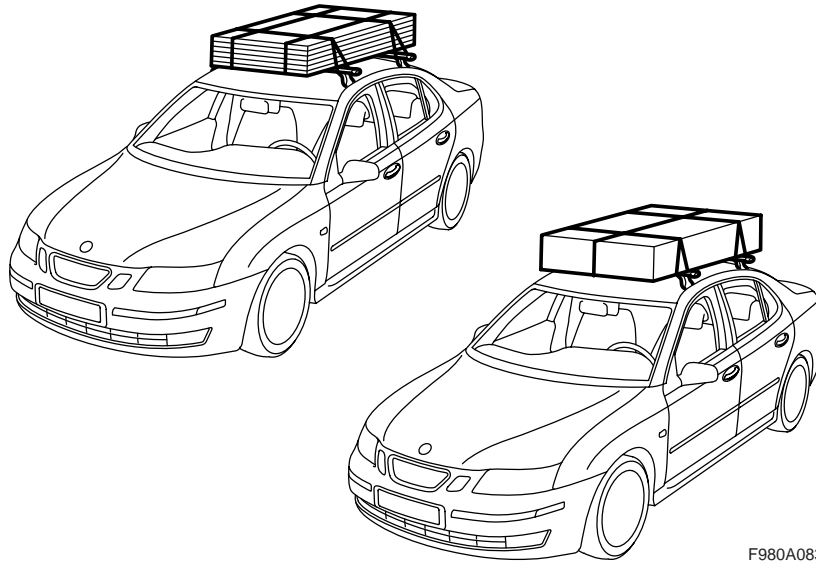


F980A080



F980A081

- 1 Load carrier (x2)
- 2 Rubber moulding (x2) (kit 12 797 739 and 32 025 592 only)
- 3 Bolt (x4)
- 4 Washer (x4)
- 5 Allen key



## Important

 **WARNING**

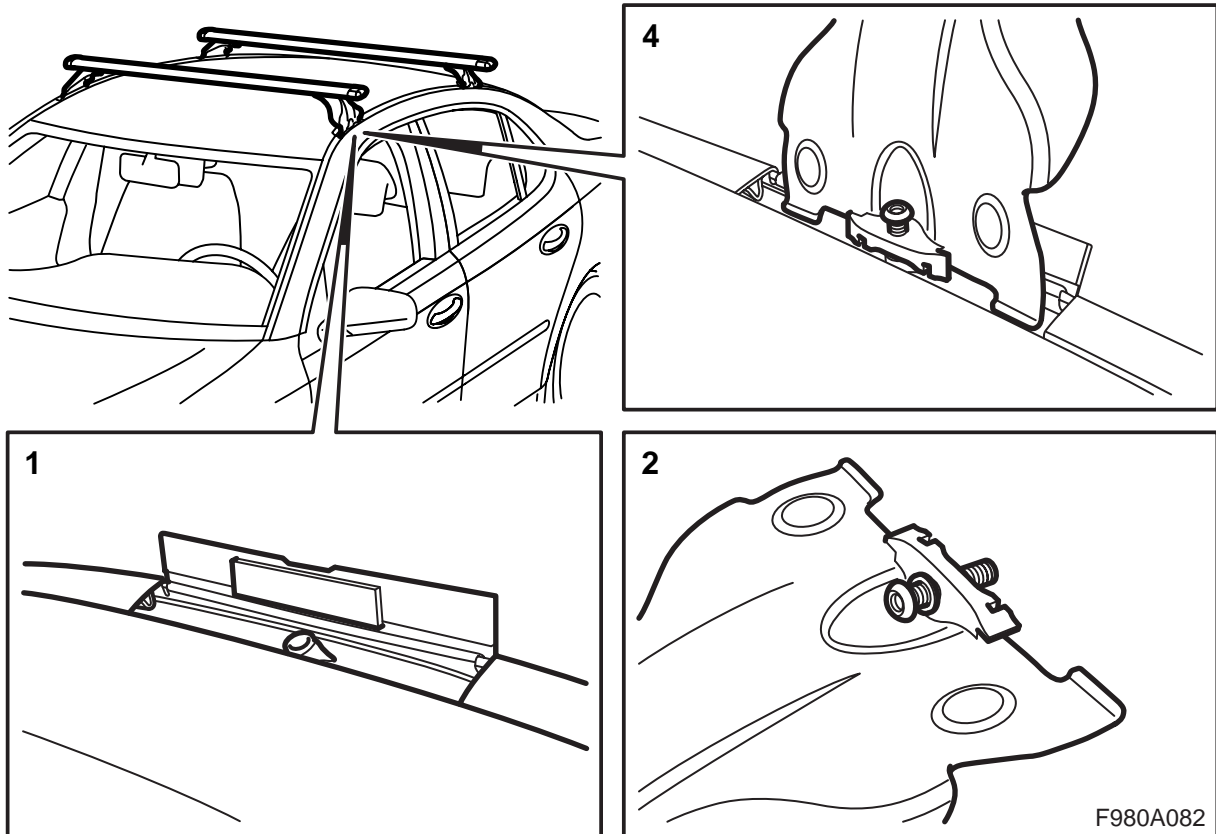
Read all installation instructions before using the load carrier. Carefully follow these instructions when fitting the load carrier and keep them in the car for future reference.

Adapt the speed of the car to take into account the change in centre of gravity and aerodynamics caused by the weight and profile of the roof load.

- Do not fit or use the load carrier until you have understood the installation instructions.
- The carriers are constructed for safe transport provided that they have been properly mounted. **Product modifications must not be made.**
- Always check that the load is securely fastened.
- The heaviest permitted roof load is 100 kg (220 lbs.) including the load carrier weight: 3.9 kg (8.6 lbs.) (steel) and 4.7 kg (10.4 lbs.) (aluminium). See the Owner's Manual.
- Note that the car's handling characteristics (during strong crosswinds, cornering or braking) are altered while driving with a loaded carrier.
- For reasons of traffic safety and to reduce wind resistance, the load carrier should be removed when not in use.
- The load carrier should be removed before the car is taken through an automatic car wash.
- Saab Automobile AB is not responsible for damages caused by improperly mounted load carriers or accessories.
- When in doubt, contact your Saab dealer.
- These installation instructions should be stored in the car.

## Advice and tips

- Secure the load so that it cannot loosen or cause damage. Be sure to tie down the load so that it cannot move in any direction. The driver is responsible for ensuring that the load is properly secured.
- Use proper equipment, such as straps with tensioners that lock securely. Do not use elastic bands or rope for any load heavier than a pair of skis.
- Be sure to distribute the load weight equally on the carrier to provide the lowest possible centre of gravity. Place small, very heavy loads to one side, not in the centre, of the carrier during transport.
- For reasons of traffic safety, the load should not extend over the sides of the car.
- Long objects must be braced or secured to the bumper or the towing eye both front and rear. If the load extends more than 1 m (3.3 ft) to the rear of the car or if it extends over the front of the car, it must be properly marked with warning flags or the like.
- Before driving, check that all attaching equipment is secured and the load is tied down properly. Stop after driving a short distance and check that the load is secure.
- Car industry and trade journal test reports have shown that transportation of large objects (e.g. surf/sailboards, roof boxes) subjects the car roof to additional stress due to substantially increased wind resistance. A sailboard should be placed upside down with the tip pointing forwards.



- 1 Open the four covers on the car roof.
  - 2 Fit a bolt and washer in each respective load carrier mounting.
  - 3 Pay attention to the markings on the load bars. They are marked for front and rear placement.
  - 4 Fit the load carriers to the roof mountings using the enclosed Allen key.
- Tightening torque 3 Nm (2 lbf ft)**
- 5 Check that the load carrier is secured.

### Note

If the load carriers are mounted on the car and are not being used for any roof load accessory, the rubber mouldings can be fitted in the load carrier grooves (valid for kit 12 797 739 and 32 025 592 only).

Fold down the covers after removing the load carriers.

### Important

The Allen key should be kept in a safe place, either in the car or together with the load carriers.