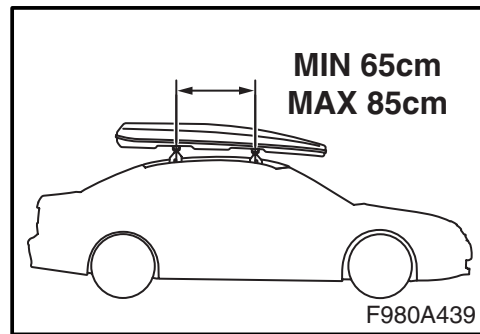
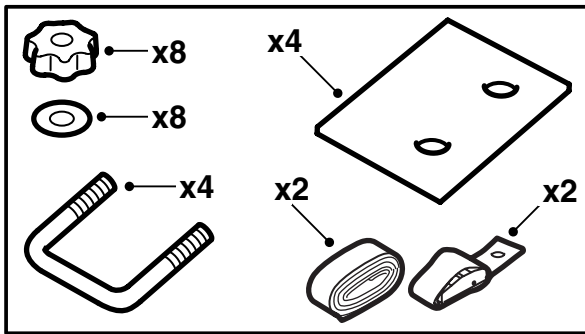
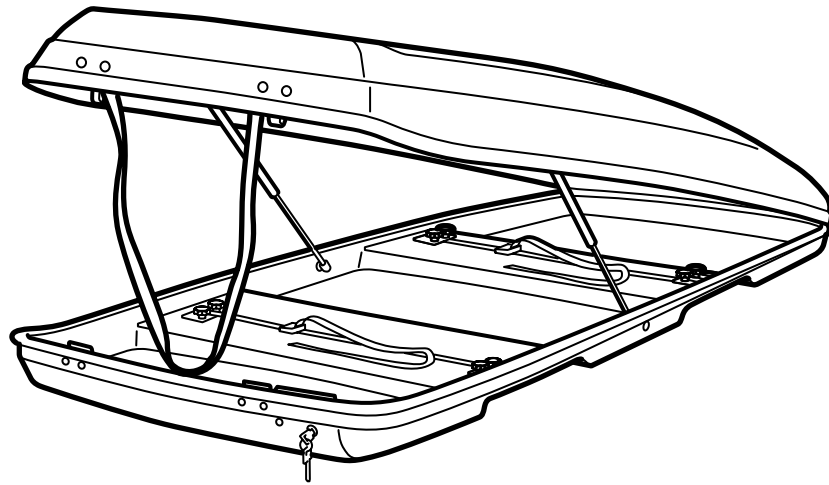


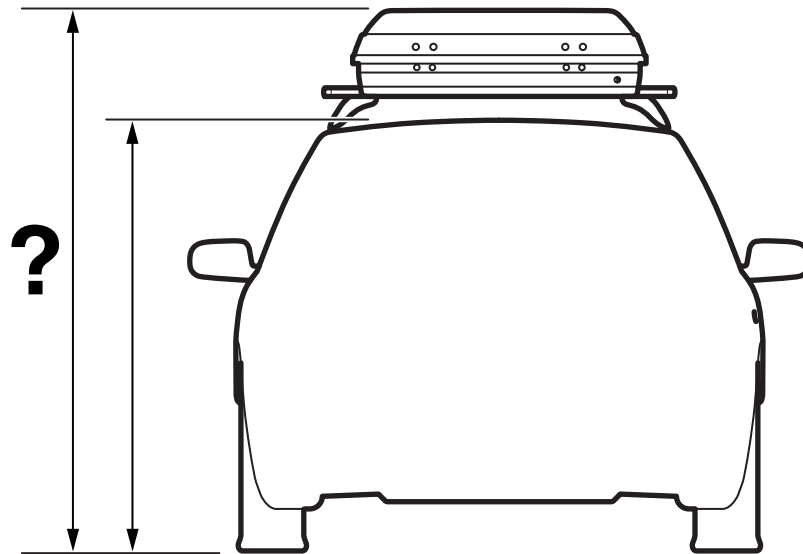
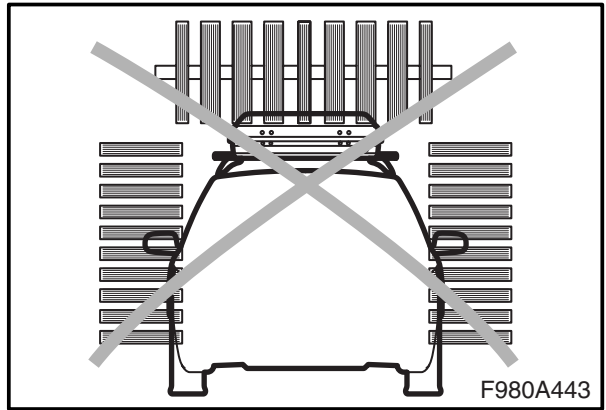
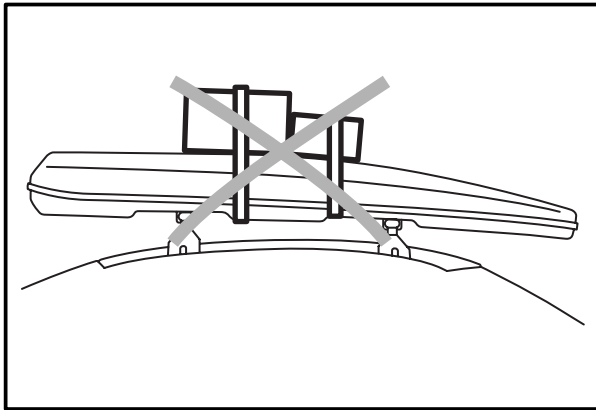
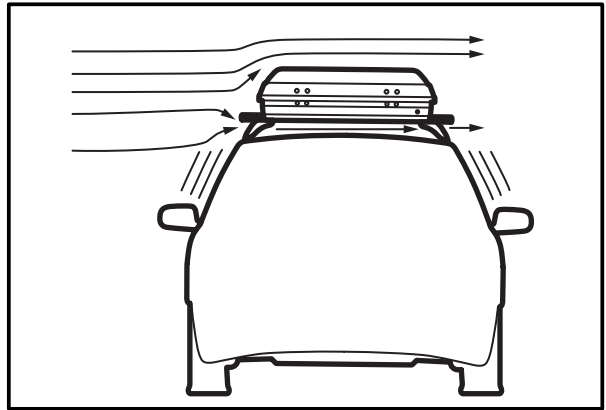
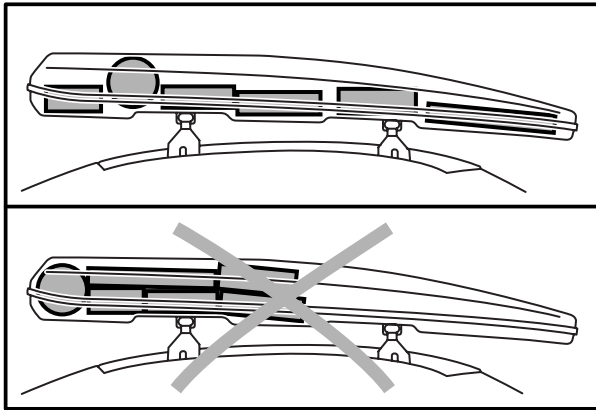


**MONTERINGSANVISNING · INSTALLATION INSTRUCTIONS  
MONTAGEANLEITUNG · INSTRUCTIONS DE MONTAGE**

## Roof box

Accessories Part No.	Date	Instruction Part No.	Replaces
32 025 666	Sep 05	32 025 668	





F980A444

## Important (see also page 2)

 **WARNING**

Read the installation instructions carefully before using the roof box. Carefully follow these instructions when fitting the roof box and keep them in the car for future reference.

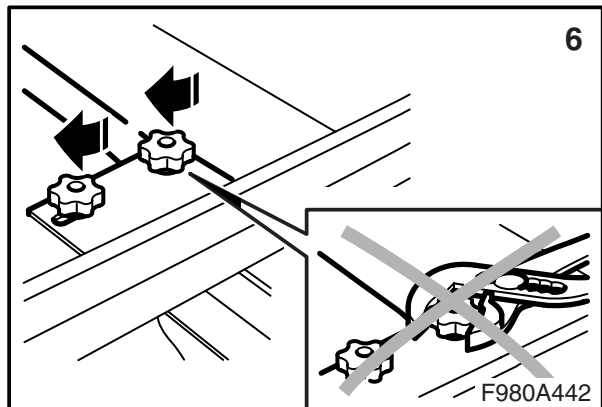
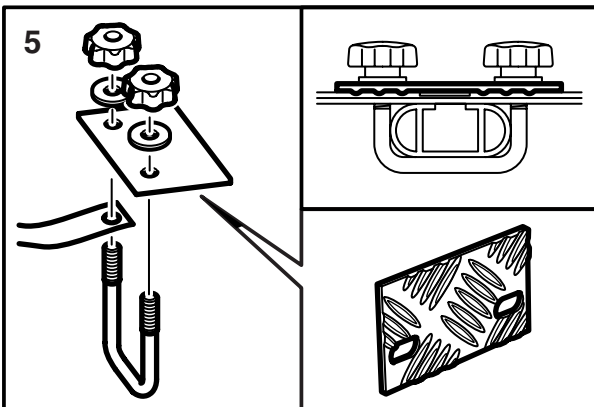
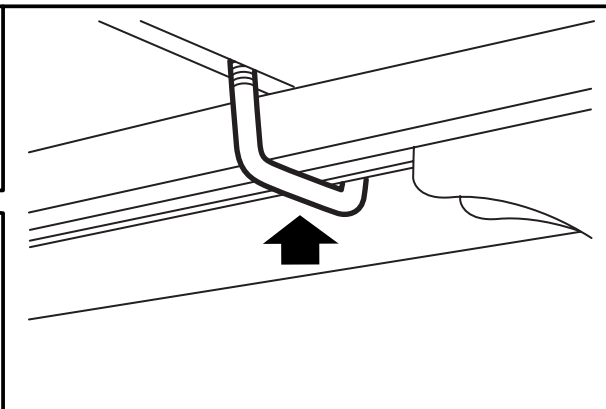
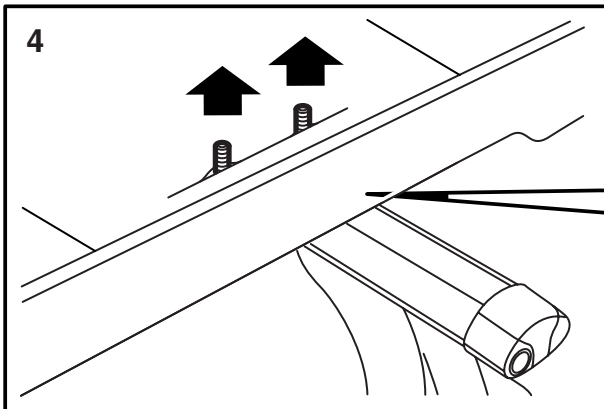
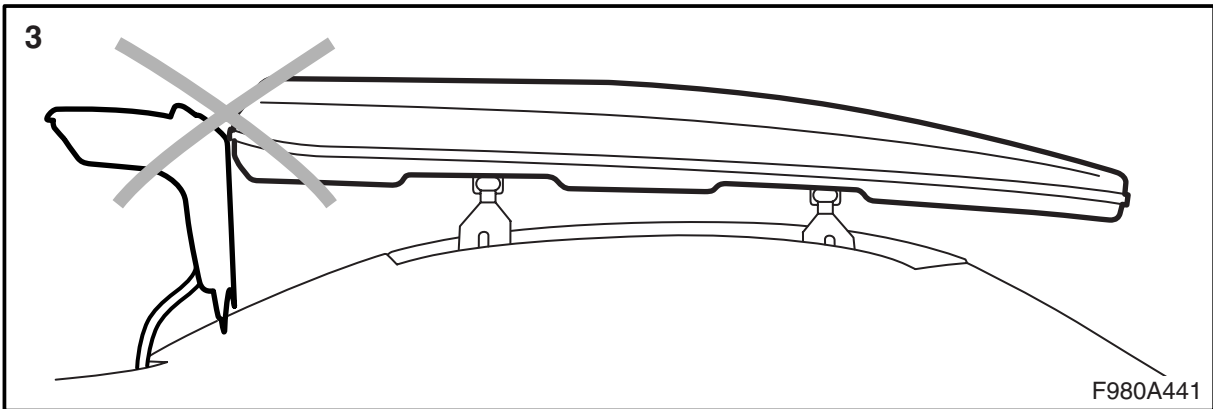
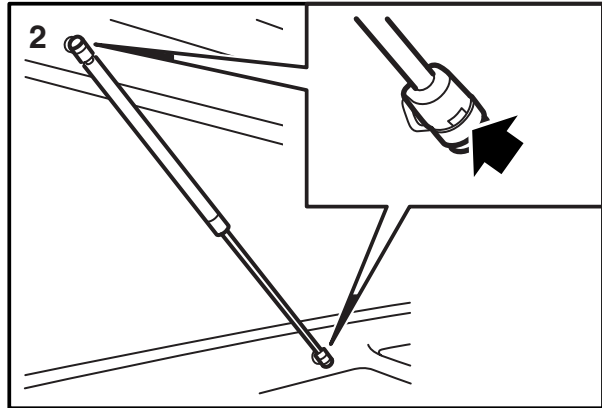
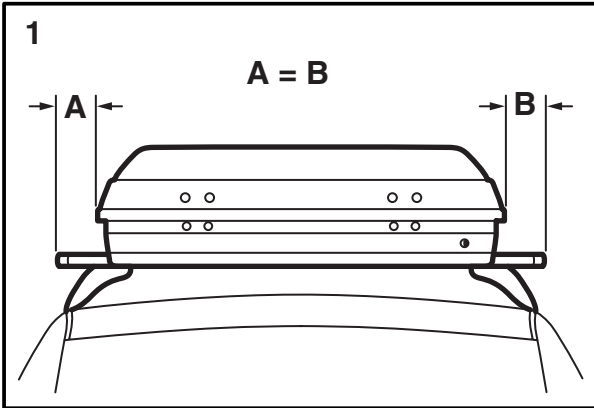
Adapt vehicle speed accordingly when driving with a roof load. The weight and distribution of the roof load can change the car's centre of gravity/aerodynamics, which could negatively affect driveability. The recommended max. speed is 130 km/h.

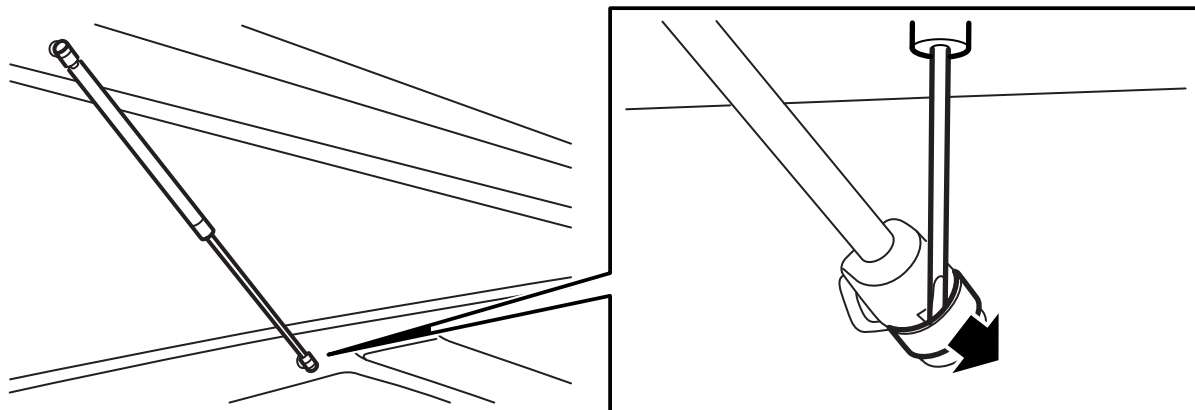
- Do not fit or use the roof box until you have understood the installation instructions. **The roof box must not be modified.**
- **Maximum permissible roof load (including roof rack and roof box):** See the vehicle Owner's Manual and information on roof rack weight. The weight of the roof box is 30 kg. Do not exceed the car's maximum payload.
- To prevent the roof box from being lifted up when driving, position the box as parallel to the car roof as possible.
- Secure the load so that it cannot loosen or cause damage. Be sure to tie down the load properly so that it cannot move in any direction. The driver is responsible for ensuring that the load is properly secured.
- Make sure all fasteners are secured before driving off. Stop after a short distance and check all the fasteners.
- Interrupt your journey from time to time to check that all fasteners and the contents of the box are properly secured.
- General Motors does not assume responsibility for damage caused by any improperly installed roof rack or roof box.
- In the event of uncertainty, contact your nearest dealer.

## Advice and tips (see also page 2)

- The extent of wind and vibration noise is affected by the position of the box in the roof racks and the distribution of the load within the roof box. As a first step, adjust the roof box forward/rearward on the roof racks.
- For safety reasons and to reduce wind resistance, the roof box should be removed when not in use.
- The roof box must be cleaned and maintained, especially in the winter as dirt and salt must be removed. Do not forget to lubricate the lock.
- The roof box should be cleaned after each use in order to preserve shine and lustre. Use regular car shampoo or similar products followed by a car or boat wax treatment.
- If the roof box shall not be used for a prolonged period of time, the gas springs should be removed from their mountings.
- Do not store the box in direct sunlight as this will cause it to fade.
- Always store the roof box horizontally on a flat surface or in a box lift.

To fit



**To remove**

F980A445

- Remove in reverse order.
- Close the roof box and lift it from the roof racks.  
If the roof box shall not be used for a prolonged period of time, the gas springs should be removed from their lower mountings by using a screwdriver to release the clip and then lifting it off the mounting ball. Always store the roof box horizontally on a flat surface or in a box lift.