

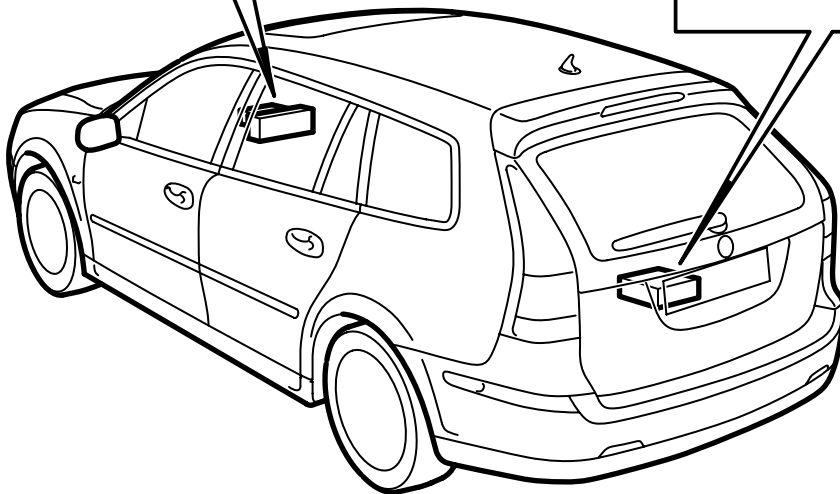
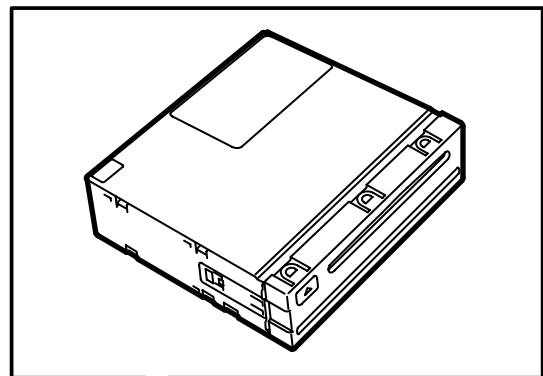
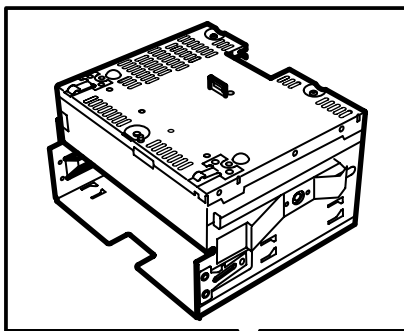


**MONTERINGSANVISNING · INSTALLATION INSTRUCTIONS
MONTAGEANLEITUNG · INSTRUCTIONS DE MONTAGE**

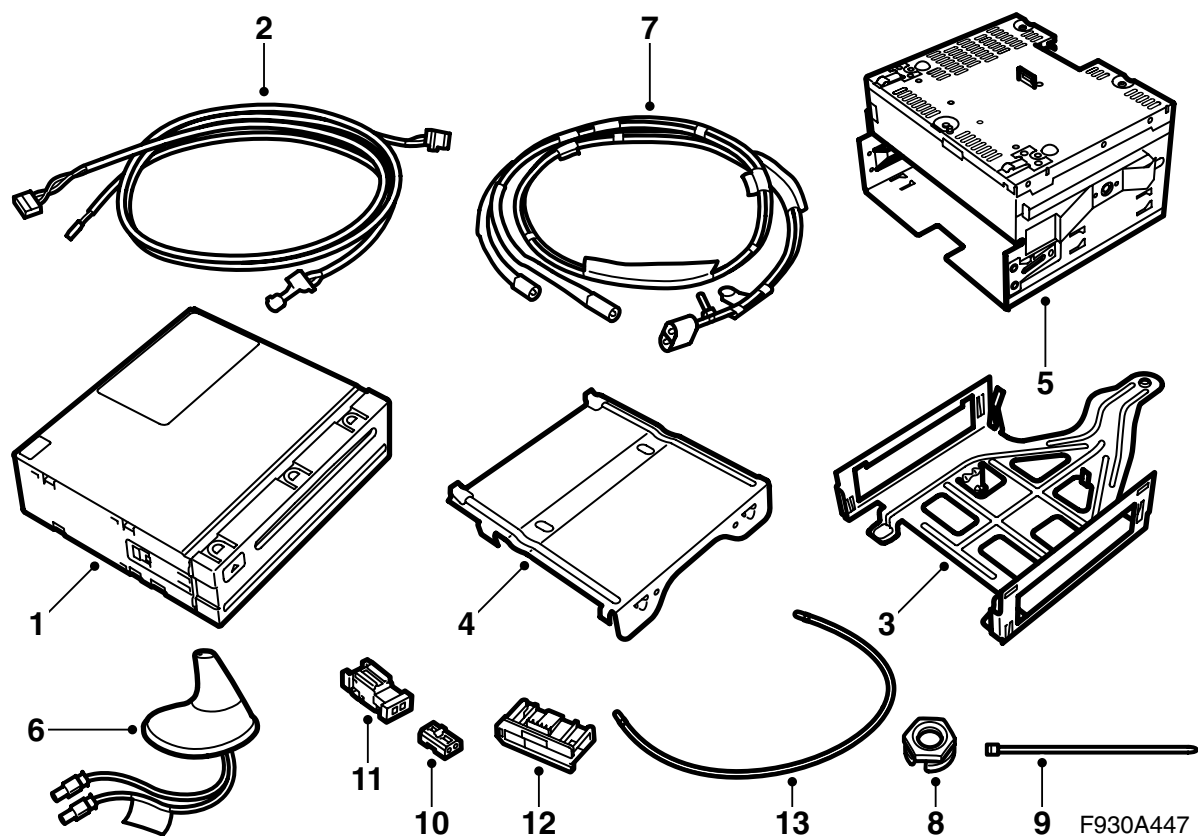
Saab 9-3 5D M06-

Navigation system

Accessories Part No.	Group	Date	Instruction Part No.	Replaces
32 025 681	9:51-05	Sep 05	32 025 682	



F930A446



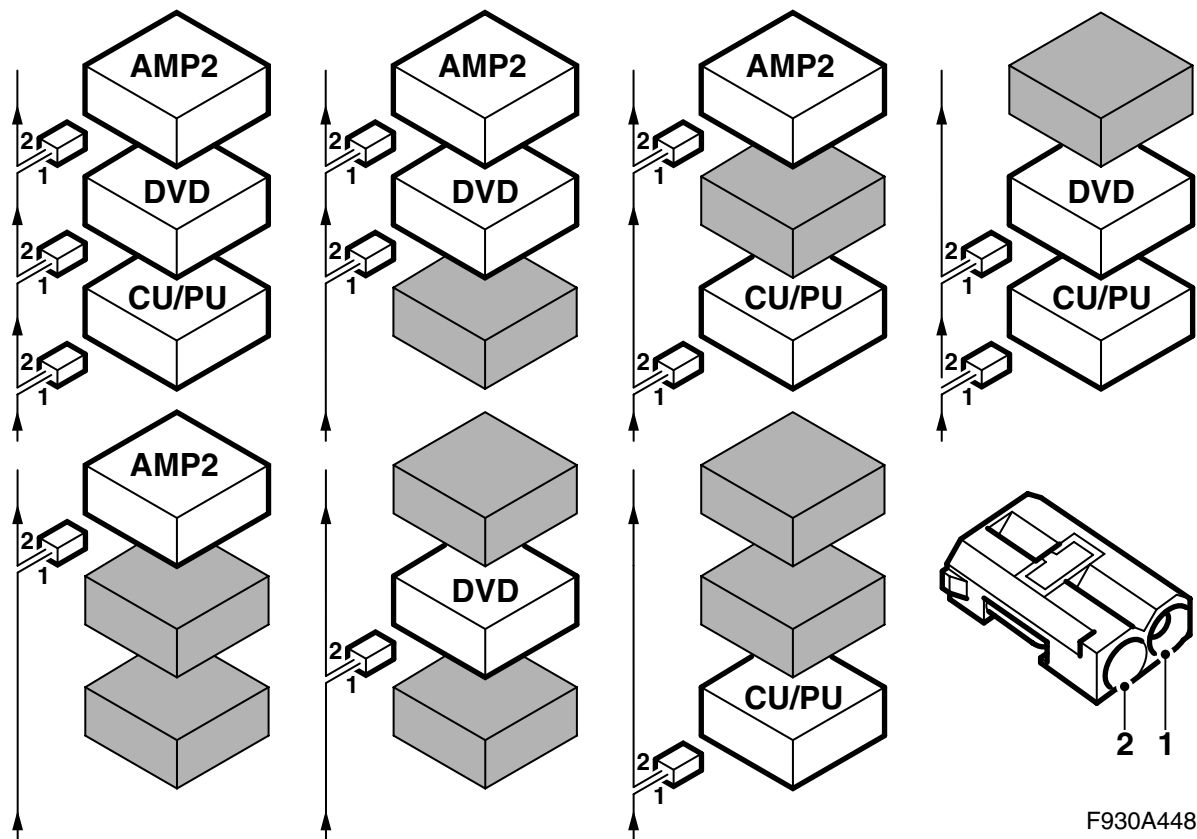
Basic kit

- 1 DVD unit
- 2 Wiring harness
- 3 Console, lower section
- 4 Console, upper section
- 5 Head unit, radio
- 6 Antenna GSM/GPS
- 7 Antenna cable GPS
- 8 Nut
- 9 Cable tie (x20)
- 10 Fibre optic connector (x2)
- 11 Fibre optic connector
- 12 Connector casing (x2)
- 13 Fibre optic cable (x3)

Depending on the equipment level of the car the kit may need to be supplemented with:

- Control panel (ICM3)
- Telematics unit
- Console, upper + lower section for telematics unit
- Microphone

which are ordered separately.



Bus Communication

Many parts of the car's electrical system communicate using a bus. There are three types of bus communication: P-bus (Powertrain Bus), I-bus (Instrument Bus) and O-bus (Optical bus). The audio system communicates via the O-bus together with the navigation system, the telephone system and others.

The O-bus is optical and is a ring bus. Two fibre optical cables are connected to each control module on the bus, one fibre optical cable for receiving and one for sending. Messages received are converted by each control module from a fibre optic signal to electrical and then converted back to optical for sending. The O-bus data transfer rate is 25 Mbit/s.

Important

It is very important that everything connected to the O-bus is connected in a specific order, see illustration, and that the ring is closed the whole time.

Connection in any other way than that described in these fitting instructions may result in several of the car's systems failing to work.

AMP2 is an amplifier by the right-hand rear wheel housing

CU/PU is a telematics unit behind the backrest

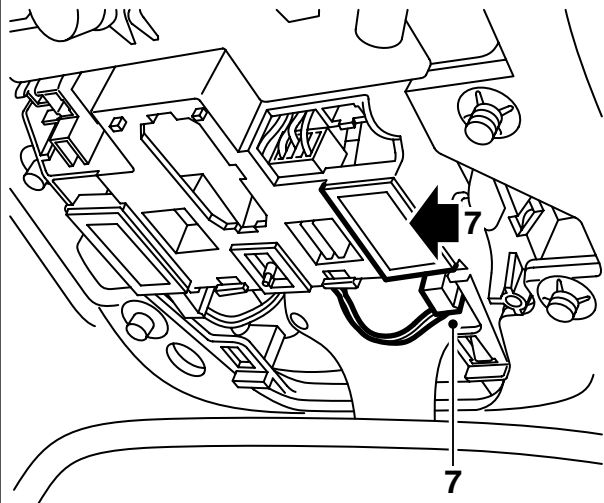
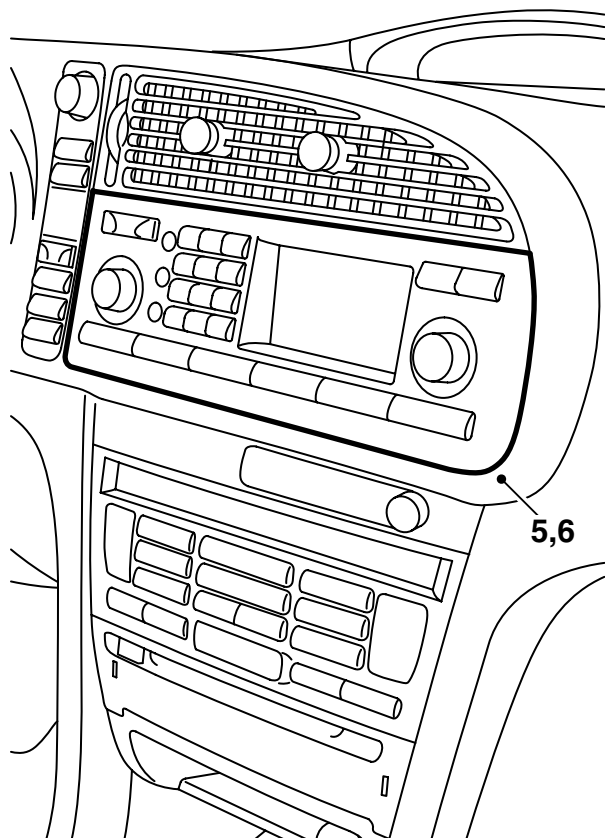
DVD is a DVD player behind the backrest

When fitting new equipment to be connected to the O-bus it is important that it is connected into the correct side of the existing equipment.

Important

Handle the fibre-optic cables with care or the signal may be distorted.

- It is very important that the two leads in the connector are not confused with one another.
- Do not splice the cables.
- Do not bend the cable in a radius smaller than 25 mm.
- Do not expose the cable to temperatures exceeding 85 °C.
- Keep the cable ends free from dirt and grime.
- Do not expose the cable to impact as this may cause the transparent plastic to whiten, thereby reducing the intensity of the light and causing possible communication interruptions.
- The cable should not lie against any sharp edges as this may cause increased signal reduction.



F930A449

Note

For more detailed information on the different steps in the removal/fitting methods, please refer to the corresponding section in WIS.

- 1 Connect the diagnostic tool and separate the infotainment system's control panel and radio from the car.

Important

The control module is sensitive to electrostatic discharges. To avoid damaging the internal components in the control module, a replacement must be made with care in the following way:

- Never touch the pins on a control module with hands or clothes.
- Ground yourself by touching the car's body/engine. Remove the connector on the car's control module.
- Ground yourself by touching the car's body/engine. Connect the connector on the car's control module.
- Deposit the replaced control module in the returns packaging without touching its pin.
- Keep the new control module in its packaging as long as possible.

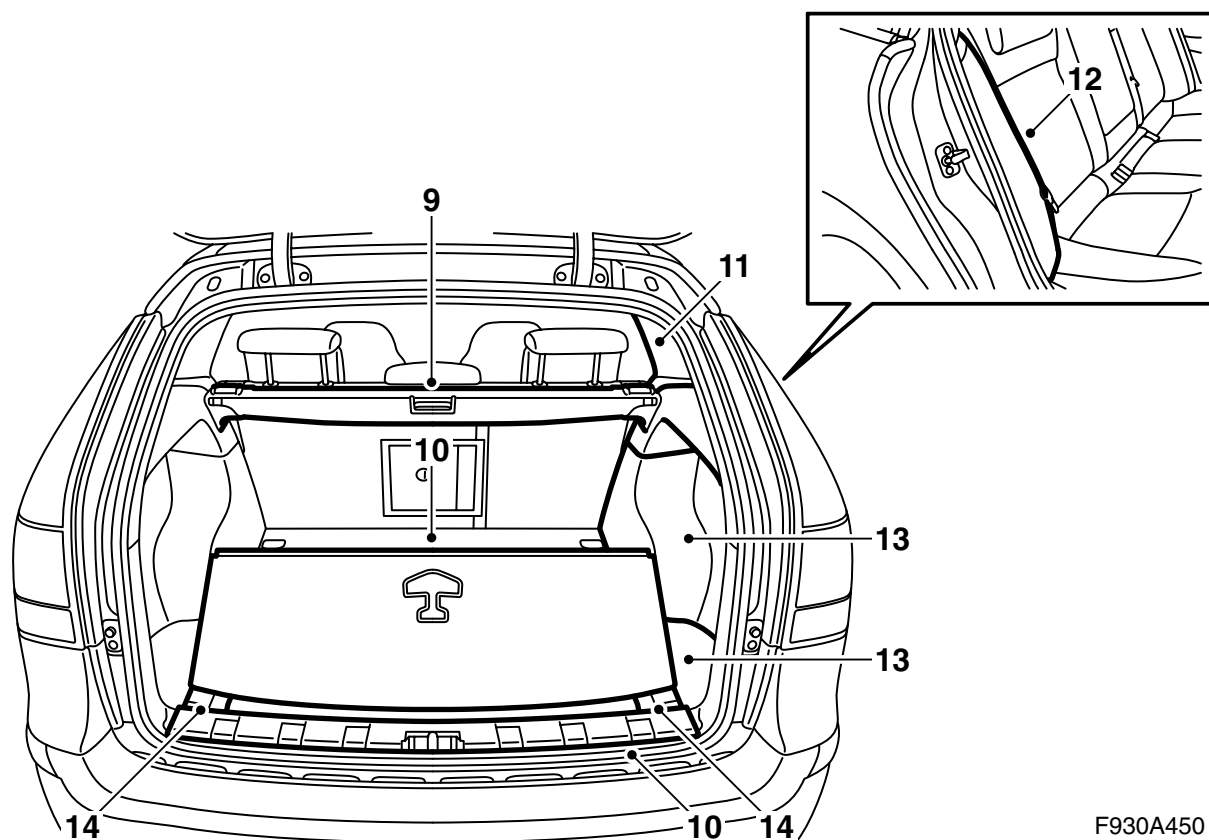
- 2 Remove the key from the ignition switch.
- 3 Remove the infotainment system control panel.
- 4 Fit a new infotainment system (ICM3) control panel.

Important

Handle the fibre-optic cables with care or the signal may be distorted.

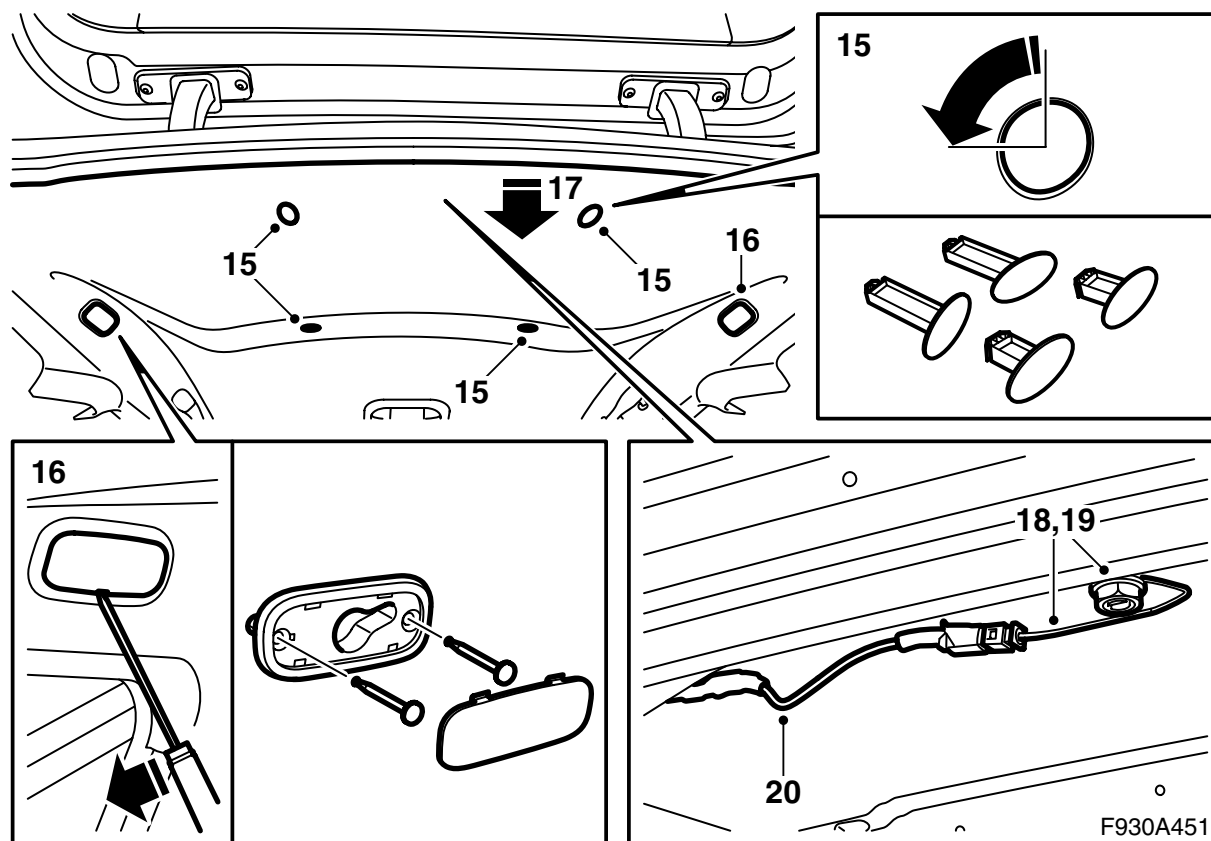
- Do not bend the cable in a radius smaller than 25 mm.
- Do not expose the cable to impact as this may cause the transparent plastic to whiten, thereby reducing the intensity of the light and causing possible communication interruptions.
- The cable should not lie against any sharp edges as this may cause increased signal reduction.

- 5 Remove the radio.
- 6 Fit the kit's radio.
- 7 **On cars with TEL1:** Fit the microphone in the roof console's vacant space on the passenger side.
 - The connector is located by the microphone for the driver's side.
 - Remove the tape over the hole for the microphone.

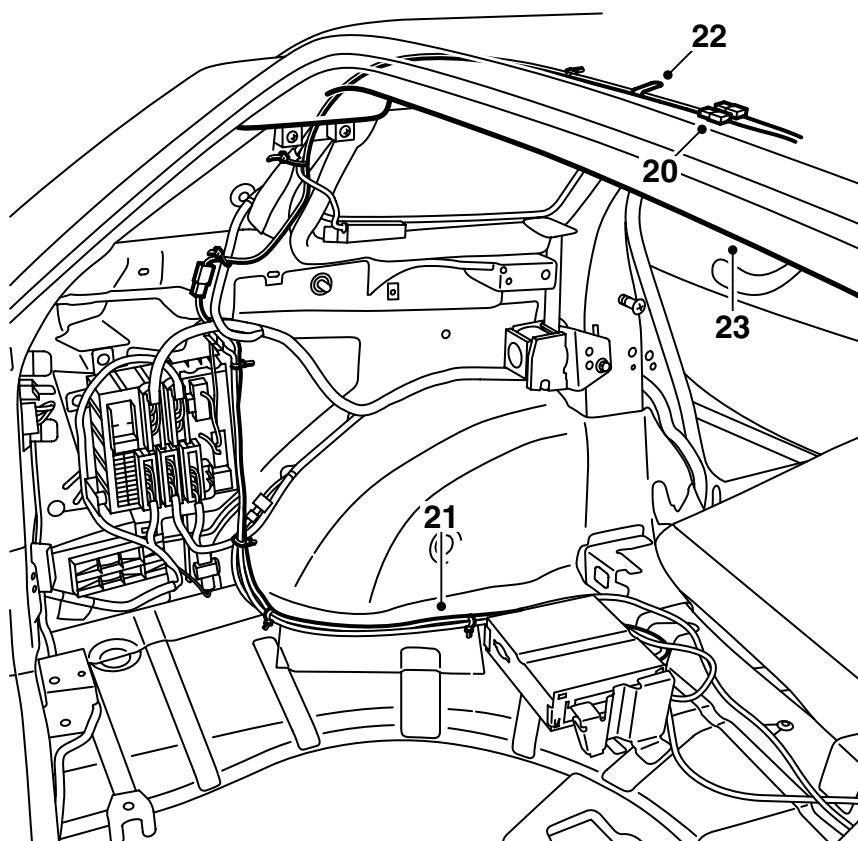


F930A450

- 8 Fold down the rear seat backrests.
- 9 Remove the cargo guard if fitted.
- 10 Remove the scuff plate and luggage compartment floor.
- 11 **Steps 11-14 must be carried out on both sides.**
Remove the C-pillar trim.
- 12 Remove the side bolsters.
- 13 Remove the rear side trim and the covers over the storage compartments.
- 14 Remove the foam blocks.



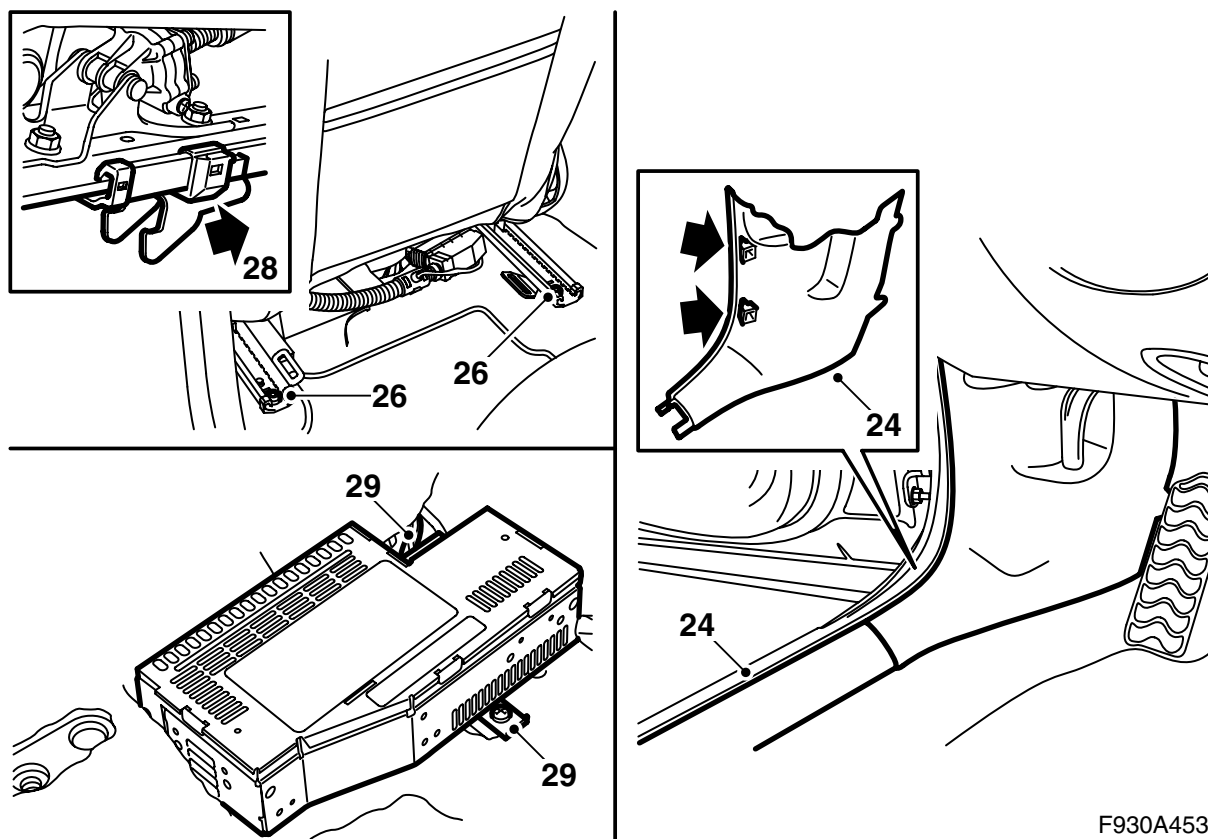
- 15 Remove the headlining's rear and centre clips by turning them 90°.
- 16 Remove the mountings above the side windows.
- 17 Lower the rear edge of the headlining, enough to reach the antenna. Hold the headlining in place using two removal tools 82 93 474.
- 18 Remove the antenna cable, if fitted, from the roof antenna, and remove the antenna.
- 19 Take the kit's antenna, guide the antenna cables down through the hole in the roof and fit the antenna.
Tighten the antenna nut.
Tightening torque 2 Nm (1.5 lbf ft)
- 20 Connect the kit's antenna cable to the antenna, blue connector to the blue connector from the antenna and violet connector to violet. Affix the kit's antenna cable up to the left-hand D-pillar.



F930A452

- 21 Route the new antenna cable along the D-pillar and in front of the electrical centre down to the floor. Follow the car's wiring harness to the location for the telematics unit.
- 22 Tape any removed cable along the new one. Apply anti-rattle tape to the connector.
- 23 Fit the headlining.

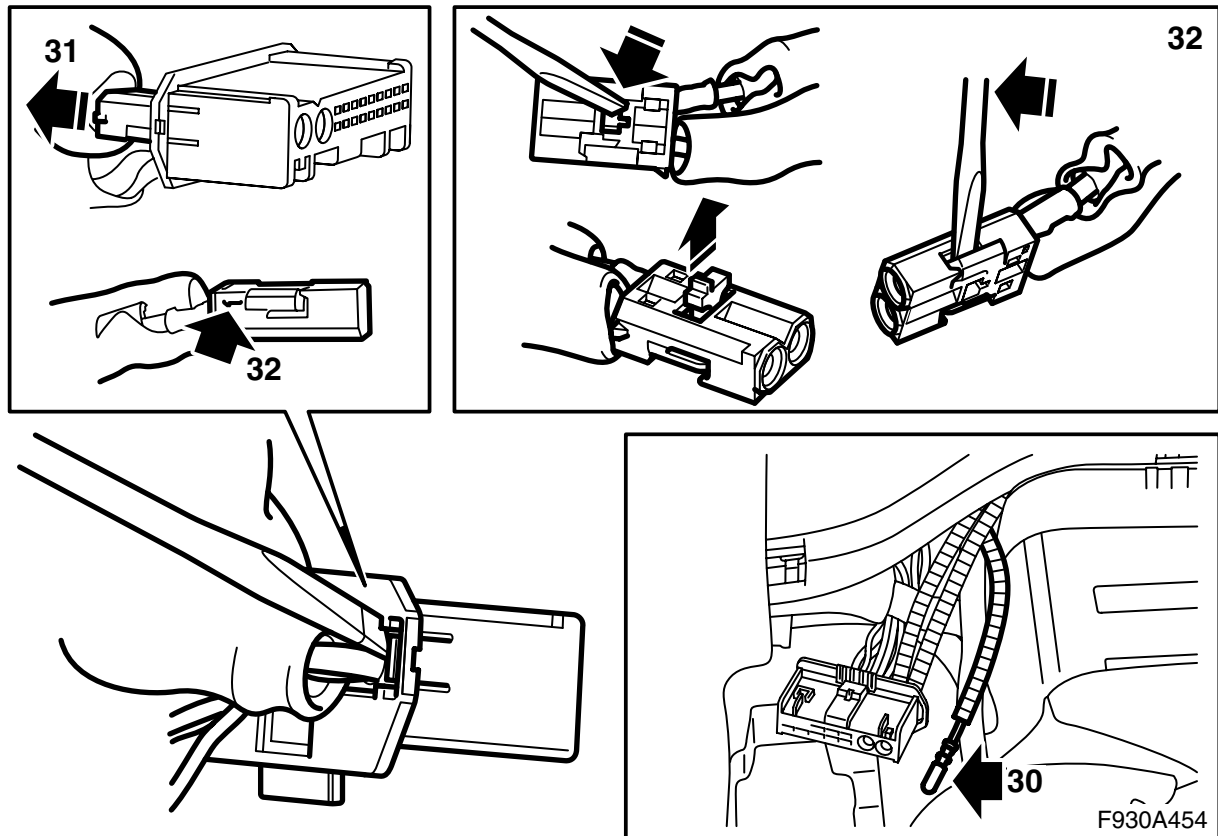
Cars with rear amplifier (AMP2): Go to step 49.



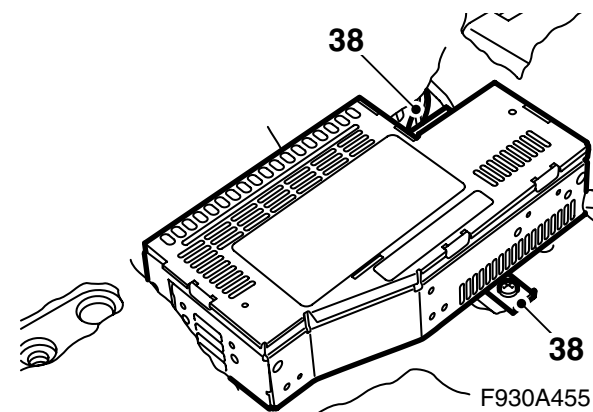
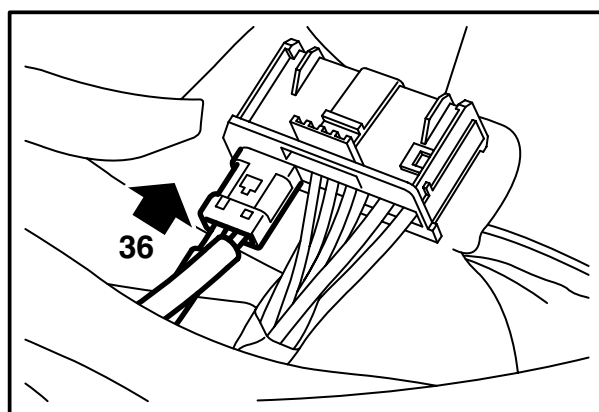
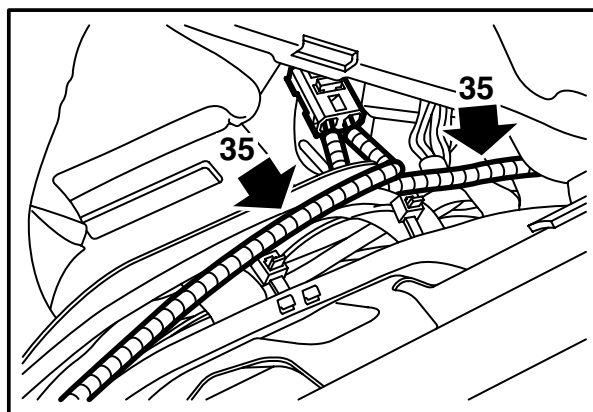
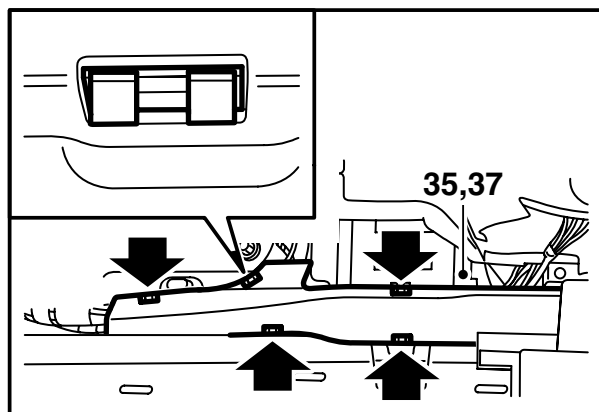
F930A453

24 Steps 24-48 apply to cars without AMP2

- Remove the front scuff plate and the lower section of the A-pillar trim on the left-hand side of the car.
- 25 Position the left-hand front seat in its most forward position and fold the backrest forwards.
- 26 Remove the two rear retaining screws from the seat.
- 27 Angle the seat forwards.
- 28 Pull the seat back so that the fitting hooks loosen from their positions. Fold the whole seat backwards.
- 29 Remove the amplifier.



- 30 Locate the green marked fibre optic cable by the amplifier.
- 31 Unplug the fibre optic cables' connector (the small connector) from the amplifier's connector.
- 32 Remove the fibre optic cable connected to position 1 by opening the connector locking clip and carefully lifting the catch.
- 33 Remove the protective cover from the connection on the green marked fibre optic cable.
- 34 Fit the protective cover onto the removed fibre optic cable connection and carefully move the fibre optic cable aside in order to prevent damage.



- 35 Remove the cover from the cable duct, check that the green marked fibre optic cable cannot bend and fit it in position 1 in the amplifier's fibre optic connector. Fit the locking clip.

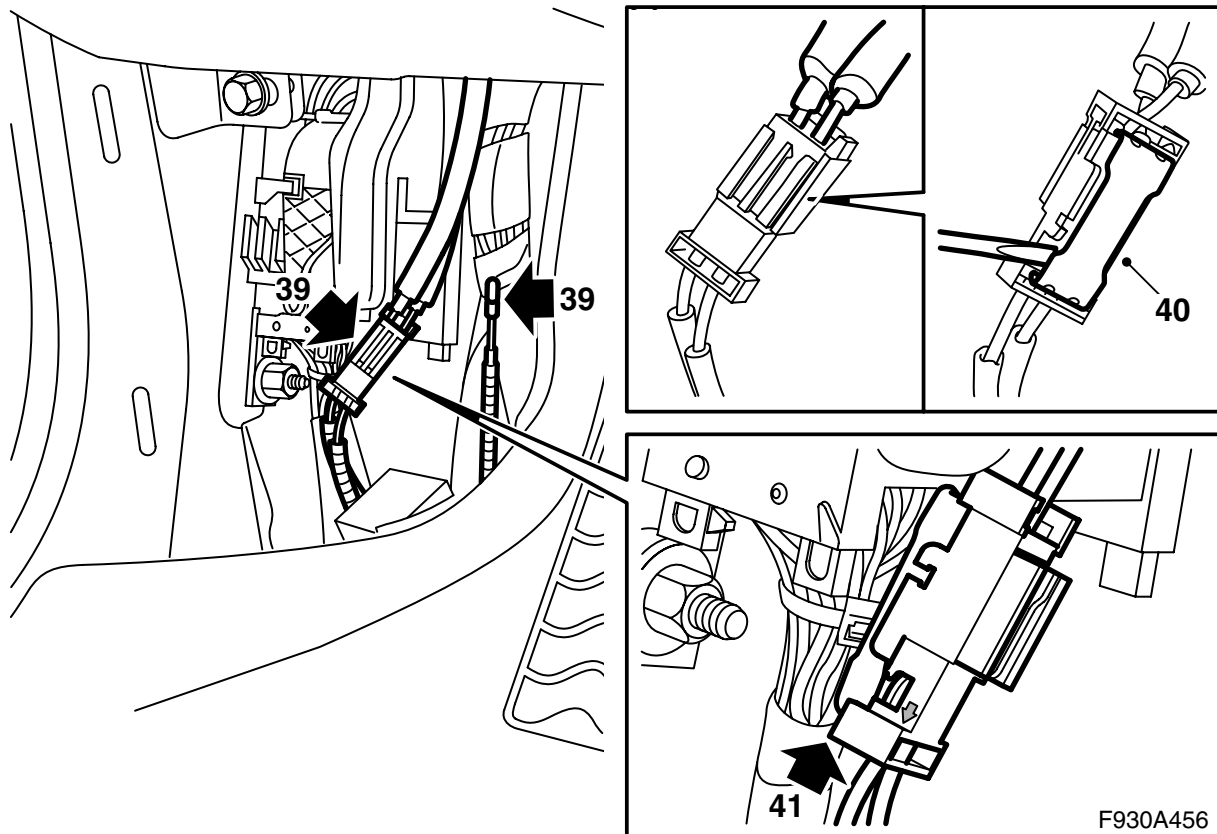
Important

Handle the fibre-optic cables with care or the signal may be distorted.

- Do not bend the cable in a radius smaller than 25 mm.
- Do not expose the cable to impact as this may cause the transparent plastic to whiten, thereby reducing the intensity of the light and causing possible communication interruptions.
- The cable should not lie against any sharp edges as this may cause increased signal reduction.

- 36 Plug the fibre optic connector into the large connector.
- 37 Fit the cover to the cable duct, draw back the carpet and guide out the connector and the cables through the hole in the carpet.
- 38 Connect and fit the amplifier.

Cars with integrated phone: Go to step 49.



- 39 Locate the loose fibre optic cable, and the connector with the fibre optic cables connected, by the left-hand lower A-pillar (taped to the cable duct).
- 40 Lift up the connector lock tab.
- 41 Remove the fibre optic cable from the position in the connector where the arrow points outwards, to the fibre optic cable.

- 45 Fit the loose fibre optic cable in the connector and fit the lock tab.
- 46 Fit the A-pillar trim.
- 47 Fit the scuff plate.
- 48 Set the seat in its correct position, be careful that the fitting hooks locate themselves correctly into their mountings, and fit the rear retaining screws.

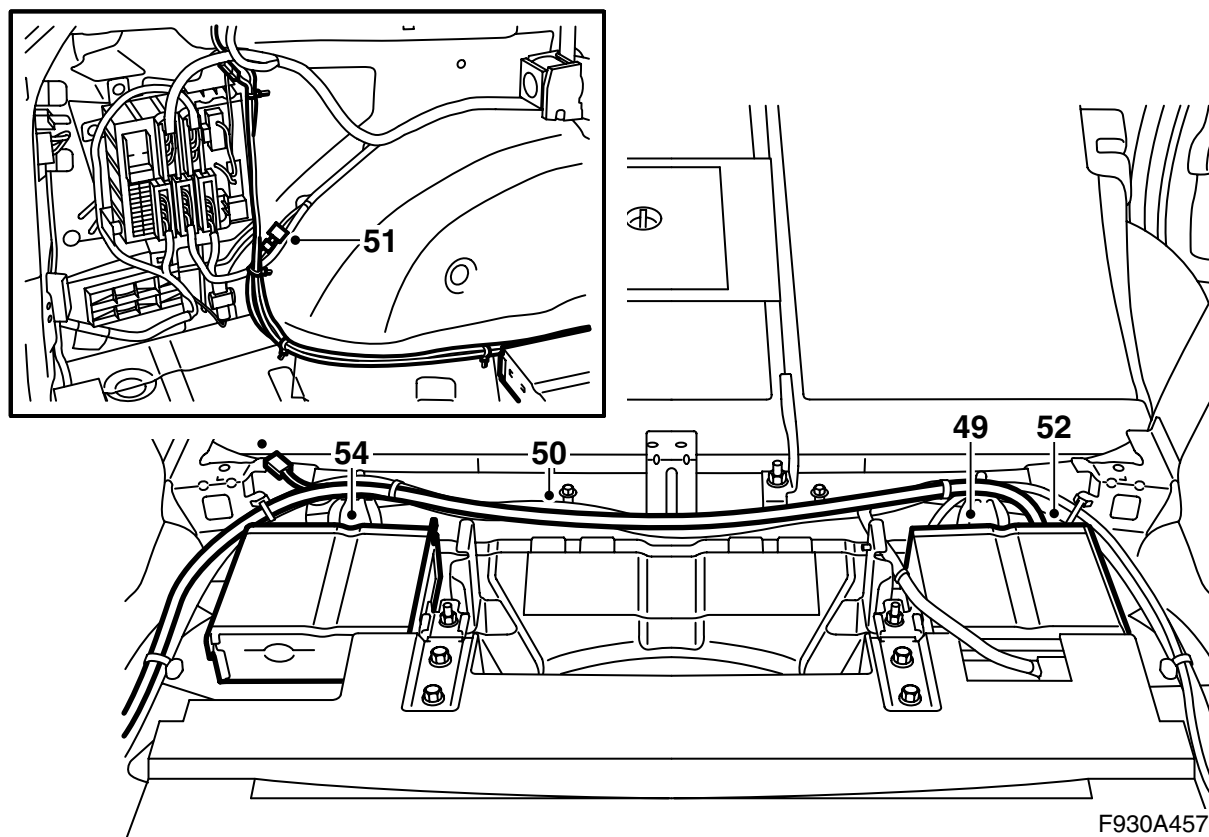
Tightening torque 30 Nm (22 lbf ft)

Important

Handle the fibre-optic cables with care or the signal may be distorted.

- It is very important that the two leads in the connector are not confused with one another.
- Do not bend the cable in a radius smaller than 25 mm.
- Keep the cable ends free from dirt and grime.
- The cable should not lie against any sharp edges as this may cause increased signal reduction.

- 42 Remove the fixing tape from the loose fibre optic cable.
- 43 Remove the protective cover from the connection.
- 44 Fit the protective cover onto the removed fibre optic cable connection and carefully move the fibre optic cable aside in order to prevent damage, and position it behind the wiring harness.

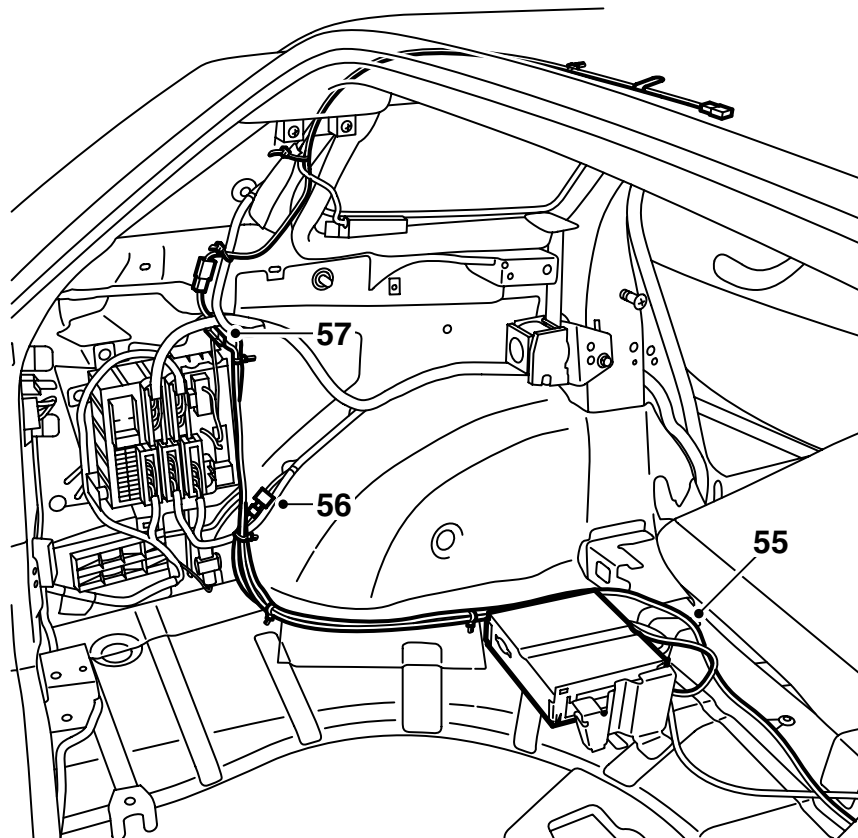


- 49 Fit the DVD unit with the kit's console behind the rear seat backrest on the right-hand side.
- 50 **Cars with telematics unit:** Route the accessory harness from the DVD unit up to the 2-pin connector by the left-hand wheel housing.

⚠ WARNING

Check that the wiring harness is not pinched. Incorrect fitting can damage the wiring harness and cause a short-circuit/fire.

- 51 **Cars with telematics unit:** Plug the 2-pin connector into the cable splice terminal by the wheel housing.
- 52 **Cars with telematics unit:** Plug the connector for the DVD unit into the smaller connector casing.
- 53 **Cars with telematics unit but without AMP2:** Go to step 99.
Cars with telematics and AMP2: Go to step 114.
- 54 **Cars with TEL1:** Remove the existing console on the extra kit's telematics unit. Fit the telematics unit with the extra kit's console behind the rear seat backrest on the left-hand side.



F930A458

55 Steps 55-58 apply to cars with TEL1.

Locate the large connector in the accessory harness behind the telematics unit and route the harness along the car's wiring harness by the left-hand wheel housing to the REC.

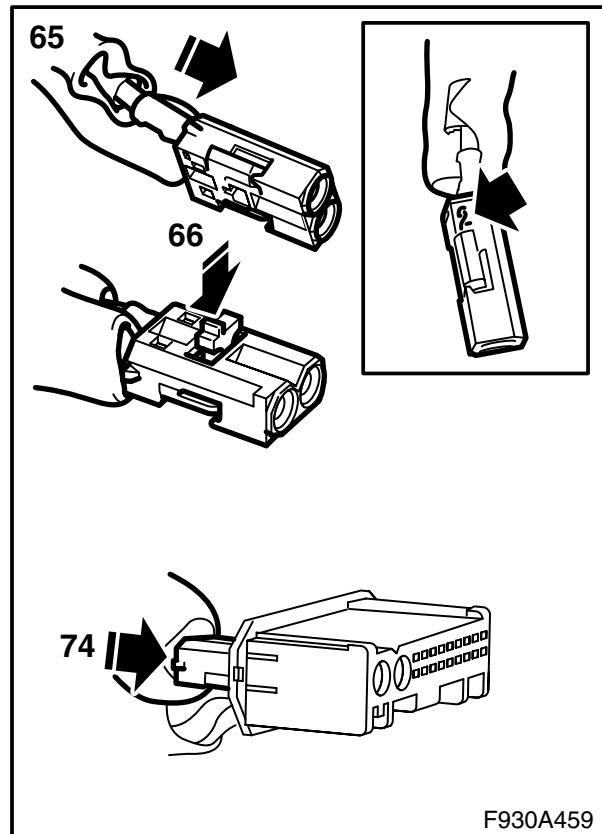
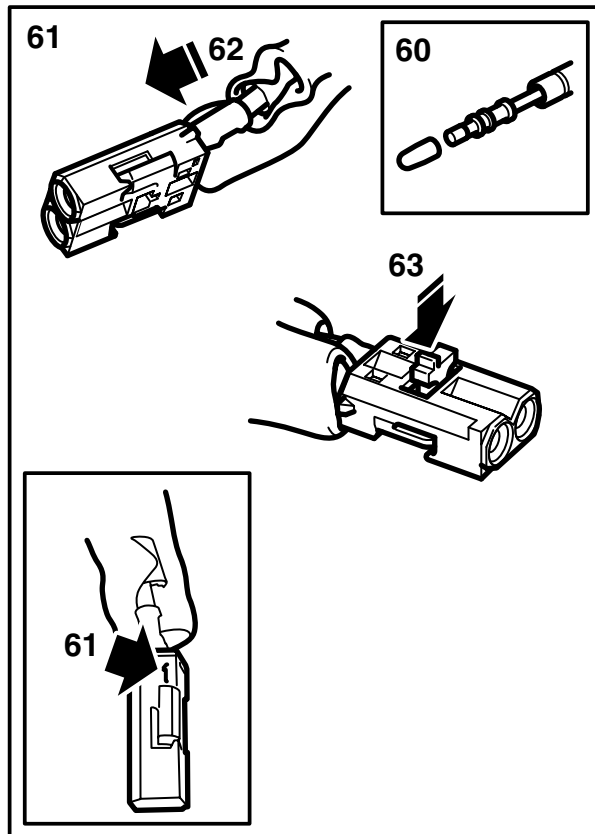
⚠ WARNING

Check that the wiring harness is not pinched. Incorrect fitting can damage the wiring harness and cause a short-circuit/fire.

- 56 Plug the 2-pin connector into the corresponding connector under the REC.
- 57 Plug the 3-pin connector into the corresponding connector above the REC.
- 58 Plug the connector for the DVD unit into the smaller connector casing.

Cars with TEL1 but without AMP2: Go to step 59.

Cars with TEL1 and AMP2: Go to step 76



F930A459

59 Steps 59-75 apply to cars with TEL1 but without rear amplifier (AMP2).

Locate the loose fibre optic cables by the space for the rear amplifier.

- 60 Remove the protective covers from the fibre optic cables' connection.
- 61 Fit the green marked fibre optic cable in position 1 in a fibre optic connector from the kit.
- 62 Fit the blue marked fibre optic cable in position 2 in the same connector.

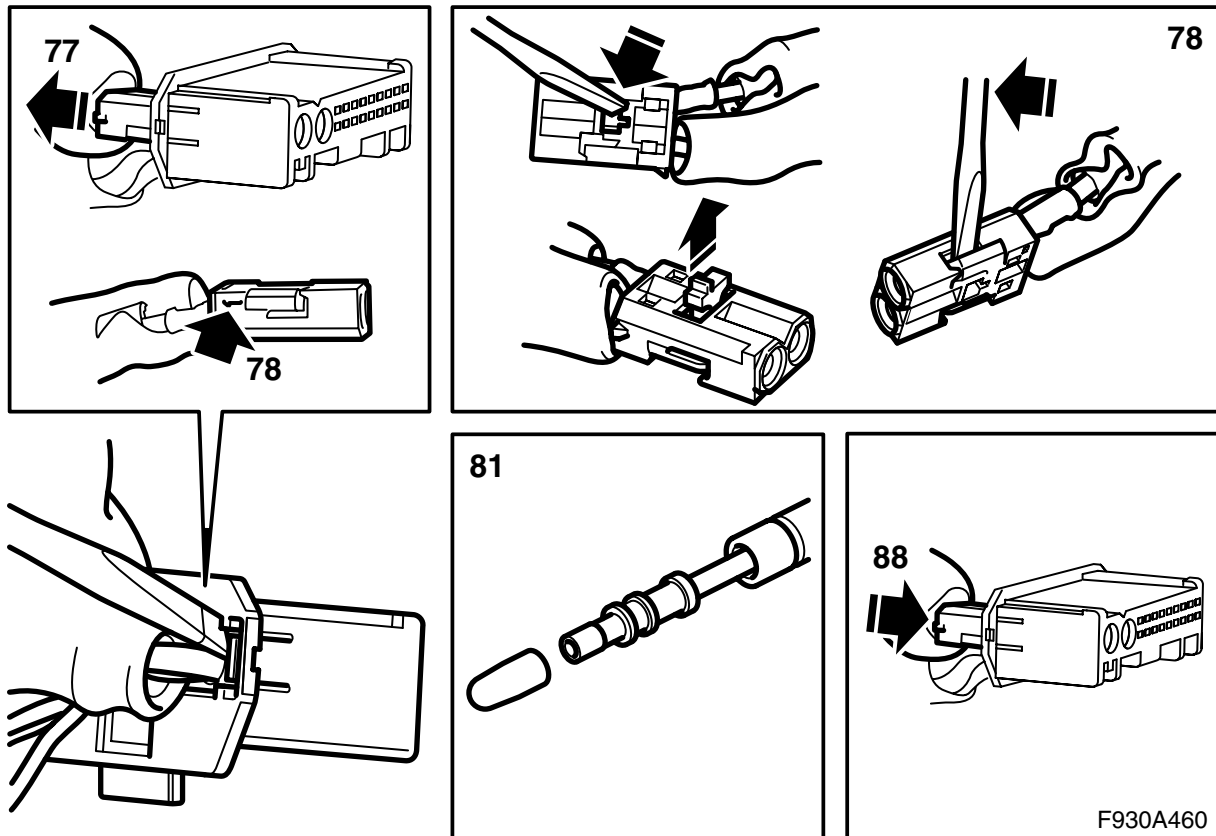
Important

Handle the fibre-optic cables with care or the signal may be distorted.

- It is very important that the two leads in the connector are not confused with one another.
- Do not bend the cable in a radius smaller than 25 mm.
- Keep the cable ends free from dirt and grime.
- The cable should not lie against any sharp edges as this may cause increased signal reduction.

- 63 Fit the locking clip.
- 64 Remove the protective cover from the long extra fibre optic cable's connection and fit it in position 1 in a fibre optic connector from the kit.

- 65 Remove the protective cover from the medium length extra fibre optic cable's connection and fit it in position 2 in the same connector.
- 66 Fit the locking clip. Plug the connectors into each other. Lock with the lock tab.
- 67 Route the fibre optic cables along the normal wiring harness so that the medium length fibre optic cable reaches the DVD unit and the long one to the telematics unit.
- 68 Remove the protective cover from the medium length extra fibre optic cable's connection and fit it in position 2 in a fibre optic connector from the kit.
- 69 Remove the protective cover from the short extra fibre optic cable's connection and fit it in position 1 in the same connector.
- 70 Fit the locking clip.
- 71 Plug the fibre optic connector into the DVD unit's connector casing and plug it into the DVD unit.
- 72 Remove the protective cover from the short extra fibre optic cable's connection and fit it in position 2 in a fibre optic connector from the kit.
- 73 Remove the protective cover from the long extra fibre optic cable's connection and fit it in position 1 in the same connector.
- 74 Plug the fibre optic connector together with the wiring harness connector for the telematics unit into the kit's large connector casing.
- 75 Plug the connector into the telematics unit.
Go to step 131.



76 Steps 76-98 apply to cars with TEL1 and rear amplifier (AMP2).

Remove the connector from the rear amplifier.

Important

Handle the fibre-optic cables with care or the signal may be distorted.

- Do not bend the cable in a radius smaller than 25 mm.
- Do not expose the cable to impact as this may cause the transparent plastic to whiten, thereby reducing the intensity of the light and causing possible communication interruptions.
- The cable should not lie against any sharp edges as this may cause increased signal reduction.

77 Unplug the fibre optic cables' connector (the small connector) from the amplifier's connector.

78 Remove the fibre optic cable connected to position 1 by opening the connector locking clip and carefully lifting the catch.

79 Fit the fibre optic cable in position 1 in a fibre optic connector from the kit.

80 Fit the locking clip.

81 Remove the protective cover from the connection on the longer extra fibre optic cable.

82 Fit the fibre optic cable in position 1 in a fibre optic connector from the kit. Mark the other end with tape.

83 Fit the locking clip.

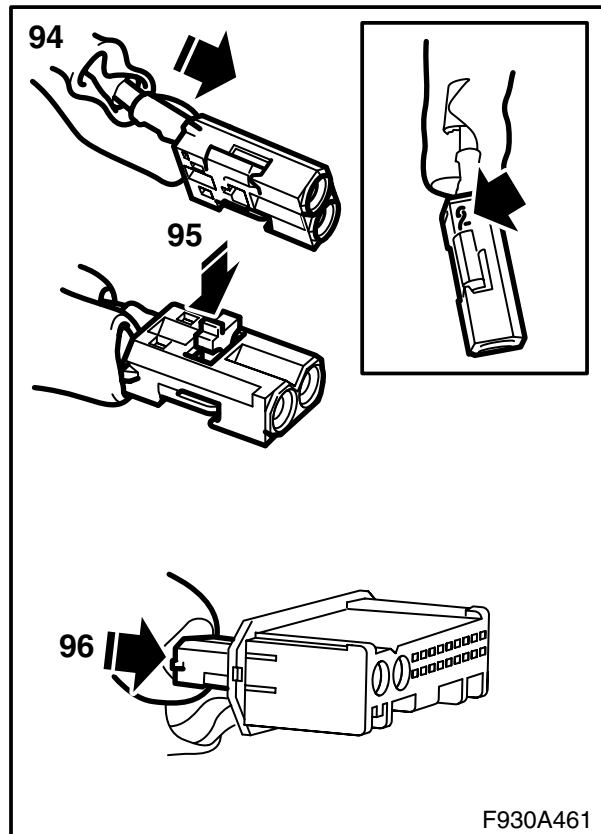
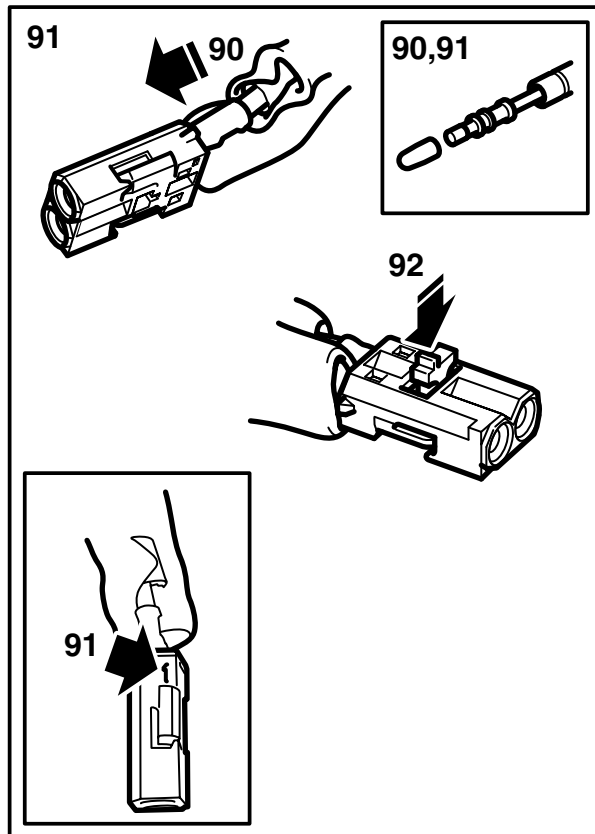
84 Plug the connectors into each other. Lock with the lock tab.

85 Remove the protective cover from the connection on the medium length extra fibre optic cable.

86 Fit the fibre optic cable in position 1 in the fibre optic connector for AMP2.

87 Fit the locking clip.

88 Plug the fibre optic connector into the connector for the amplifier and plug it into the amplifier.



F930A461

- 89 Route the fibre optic cables along the normal wiring harness so that the unmarked fibre optic cable reaches the DVD unit and the marked one to the telematics unit.
- 90 Remove the protective cover from the unmarked fibre optic cable's connection and fit it in position 2 in a fibre optic connector from the kit.
- 91 Remove the protective cover from the short extra fibre optic cable's connection and fit it in position 1 in the same connector.

Important

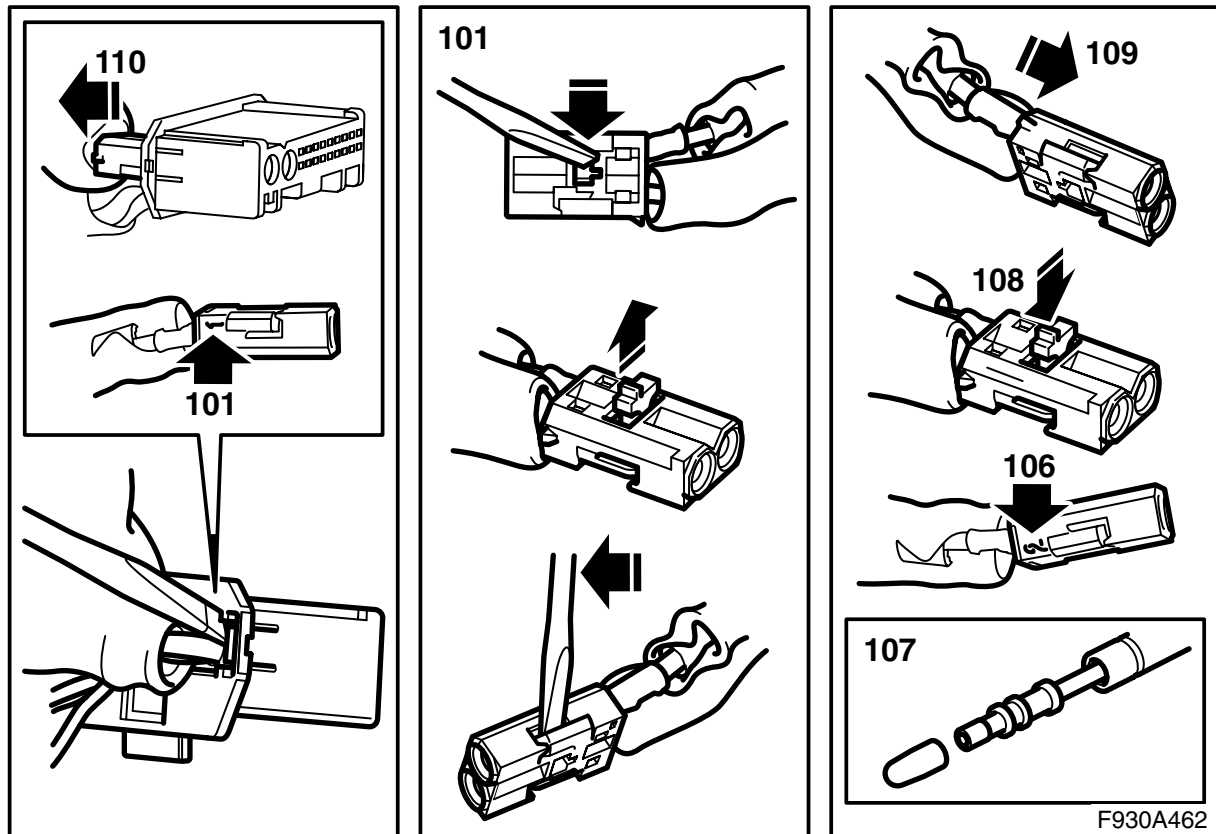
Handle the fibre-optic cables with care or the signal may be distorted.

- It is very important that the two leads in the connector are not confused with one another.
- Do not bend the cable in a radius smaller than 25 mm.
- Keep the cable ends free from dirt and grime.
- The cable should not lie against any sharp edges as this may cause increased signal reduction.

- 92 Fit the locking clip.
- 93 Plug the fibre optic connector into the DVD unit's connector casing and plug it into the DVD unit.
- 94 Remove the protective cover from the short extra fibre optic cable's connection and fit it in position 2 in a fibre optic connector from the kit.

- 95 Remove the protective cover from the connection for the fibre optic cable marked with tape and fit it in position 1 in the same connector.
- 96 Plug the 2-pin fibre optic connector together with the wiring harness connector for the telematics unit into the kit's large connector casing.
- 97 Plug the connector into the telematics unit.
- 98 Secure the fibre optic cables and wiring harness using cable ties starting from the telematics unit. Any excess should be pulled into a hoop by AMP2.

Go to step 132.



99 Steps 99-113 apply to cars with integrated phone but without rear amplifier (AMP2).

Locate the loose fibre optic cable by the rear amplifier.

- 100 Remove the protective cover from the fibre optic cable's connection.
- 101 Fit the fibre optic cable in position 1 in a fibre optic connector from the kit.
- 102 Fit the locking clip.

Important

Handle the fibre-optic cables with care or the signal may be distorted.

- Do not bend the cable in a radius smaller than 25 mm.
- Do not expose the cable to impact as this may cause the transparent plastic to whiten, thereby reducing the intensity of the light and causing possible communication interruptions.
- The cable should not lie against any sharp edges as this may cause increased signal reduction.

- 103 Remove the protective cover from the long extra fibre optic cable's connection and fit it in position 1 in a fibre optic connector from the kit.
- 104 Fit the locking clip. Plug the connectors into each other. Lock with the lock tab.

105 Route the fibre optic cable along the normal wiring harness to the DVD unit.

106 Remove the protective cover from the fibre optic cable's connection and fit it in position 2 in a fibre optic connector from the kit.

107 Remove the protective covers from the short extra fibre optic cable's connections and fit one end in position 1 in the same fibre optic connector.

108 Fit the locking clip.

109 Plug the fibre optic connector into the DVD unit's connector casing and plug it into the DVD unit.

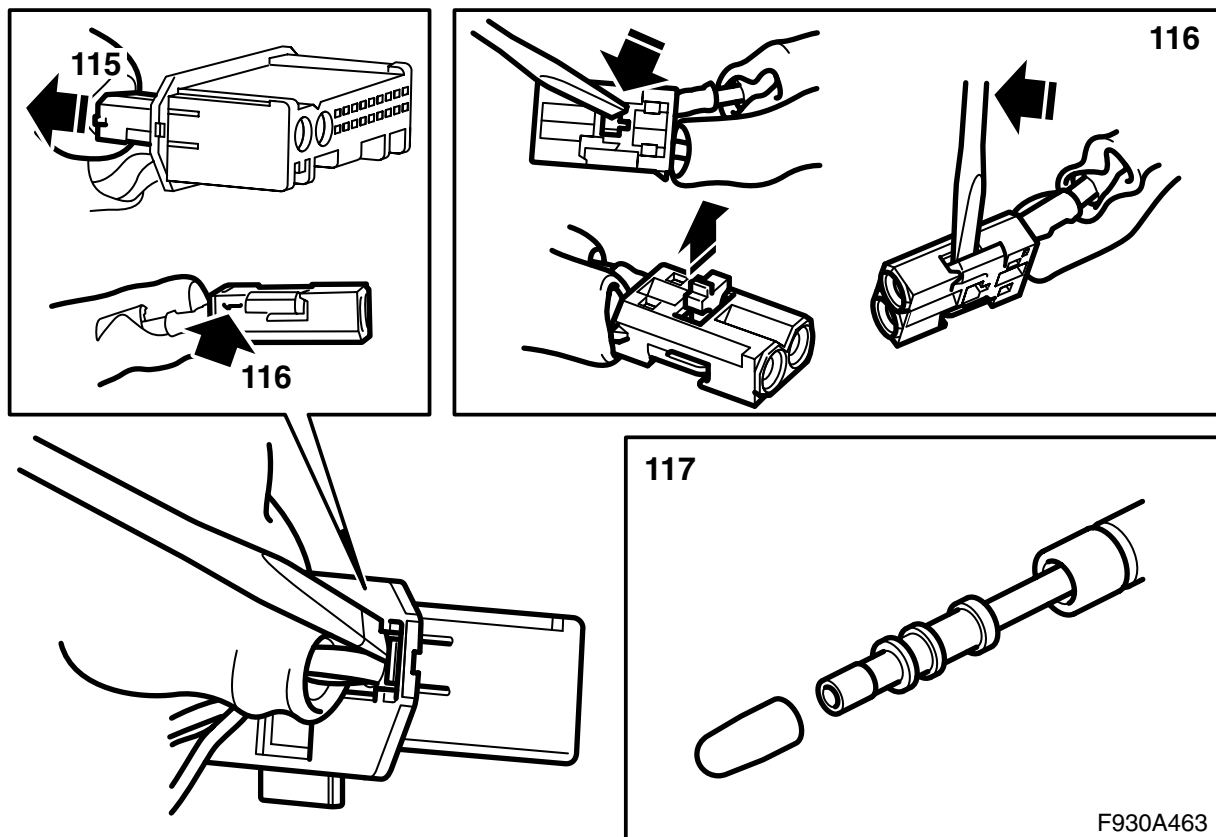
110 Unplug the fibre optic connector (the small connector) from the telematics unit's connector.

111 Remove the fibre optic cable connected to position 2 by opening the connector locking clip and carefully lifting the catch. Fit a protective cover on the loose end.

112 Fit the fibre optic cable from the DVD unit in position 2. Fit the locking clip.

113 Plug the fibre optic connector into the large connector and plug it into the telematics unit.

Go to step 131.



114 Steps 114-136 apply to cars with integrated phone and rear amplifier (AMP2).

Remove the connector from the rear amplifier.

Important

Handle the fibre-optic cables with care or the signal may be distorted.

- Do not bend the cable in a radius smaller than 25 mm.
- Do not expose the cable to impact as this may cause the transparent plastic to whiten, thereby reducing the intensity of the light and causing possible communication interruptions.
- The cable should not lie against any sharp edges as this may cause increased signal reduction.

115 Unplug the fibre optic cables' connector (the small connector) from the amplifier's connector.

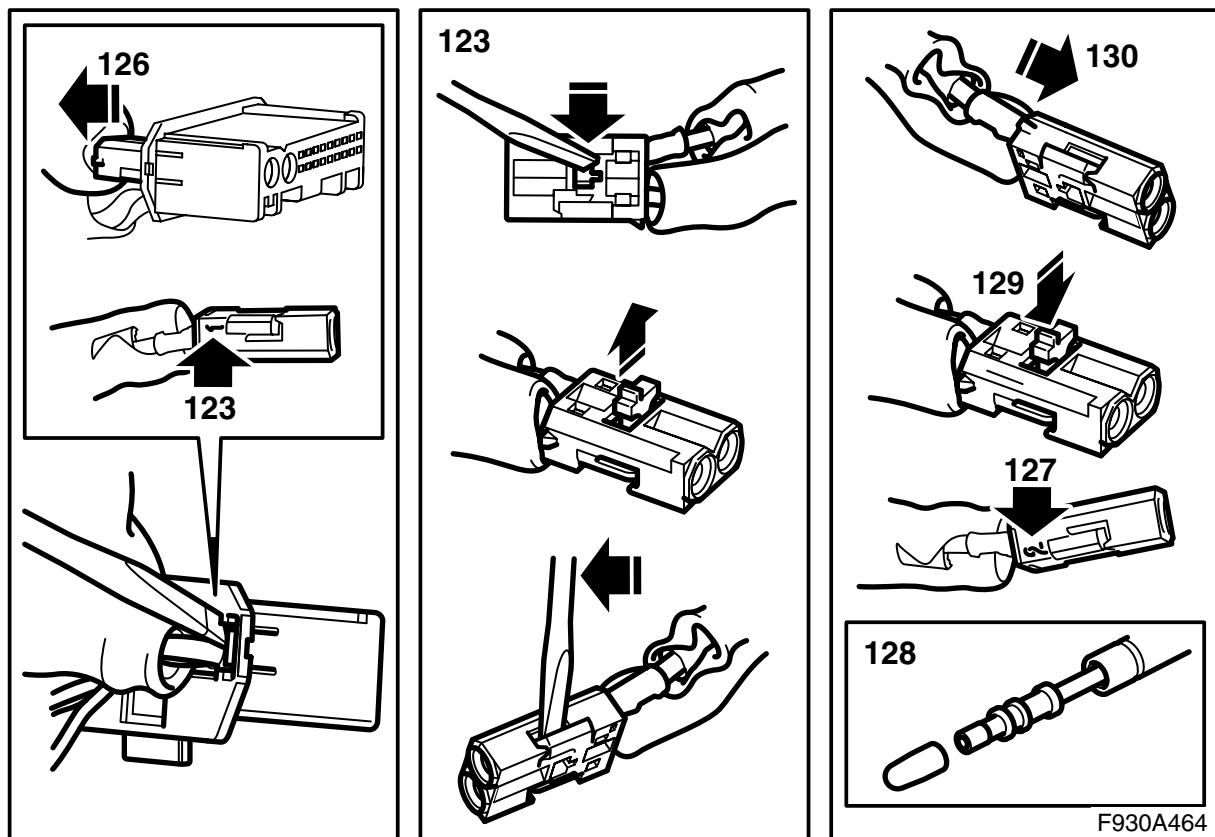
116 Remove the fibre optic cable connected to position 1 by opening the connector locking clip and carefully lifting the catch.

117 Remove the protective cover from the connection on the long extra fibre optic cable. Fit it on the removed fibre optic cable.

118 Fit the fibre optic cable in position 1 in the fibre optic connector for AMP2.

119 Fit the locking clip.

120 Plug the fibre optic connector into the large connector and plug it into the amplifier.



121 Route the fibre optic cable along the normal wiring harness to the DVD unit

122 Remove the protective cover from the fibre optic cable's connection and fit it in position 2 in a fibre optic connector from the kit.

123 Remove the protective cover from the short extra fibre optic cable's connection and fit it in position 1 in the same connector.

Important

Handle the fibre-optic cables with care or the signal may be distorted.

- It is very important that the two leads in the connector are not confused with one another.
- Do not bend the cable in a radius smaller than 25 mm.
- Keep the cable ends free from dirt and grime.
- The cable should not lie against any sharp edges as this may cause increased signal reduction.

124 Fit the locking clip.

125 Plug the fibre optic connector into the DVD unit's connector casing and plug it into the DVD unit.

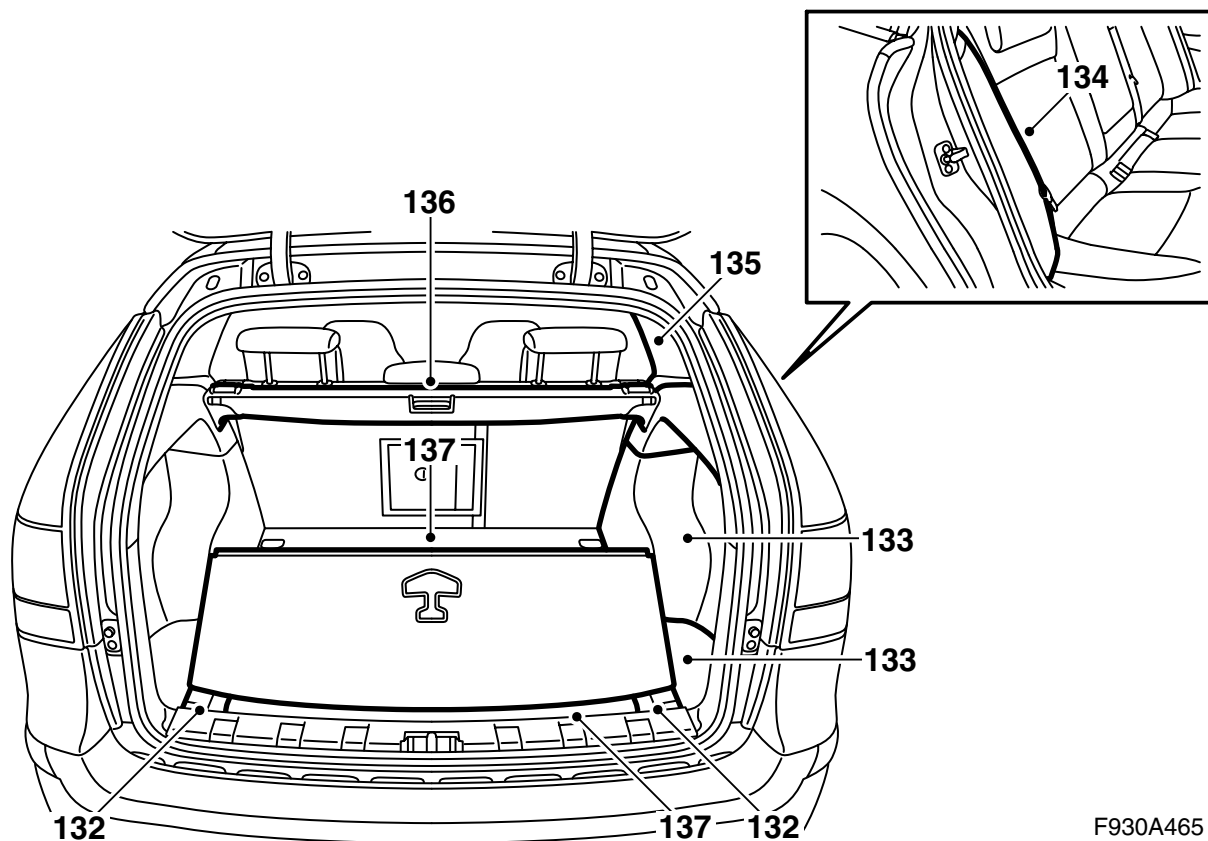
126 Unplug the fibre optic cables' connector (the small connector) from the telematics unit's connector.

127 Remove the fibre optic cable connected to position 2 by opening the connector locking clip and carefully lifting the hook.

128 Remove the protective cover on the fibre optic cable from the DVD unit and fit it in position 2 in a fibre optic connector from the kit. Fit the protective cover on the loose fibre optic cable.

129 Fit the locking clip.

130 Plug the fibre optic connector into the large connector and plug it into the telematics unit.



F930A465

131 Secure the fibre optic cables and wiring harness using cable ties starting from the telematics unit. Any excess should be pulled into a hoop by AMP2.

132 **Steps 132-135 must be carried out on both sides.**

Fit the foam blocks

133 Fit the rear side trims and the covers over the storage compartments.

134 Fit the side bolsters. Check that the seatbelt is not twisted.

135 Fit the C-pillar trim.

136 Fit the cargo guard (if the car was equipped with one).

137 Fit the luggage compartment floor and scuff plate.

138 Connect the diagnostic tool, select car and model year, select "All", select "Add/Remove", select the current replaced/new fitted units (ICM, EHU, PU, DVD) and select "Add".

139 Place the map disc in the DVD player, check the system by test driving the car until the navigation system makes contact with the satellites. The map should display on the screen.

Note

The diagnostic tool will on some occasions need to retrieve a security code in TIS. Information on what to do will be displayed on the diagnostic tool display.