

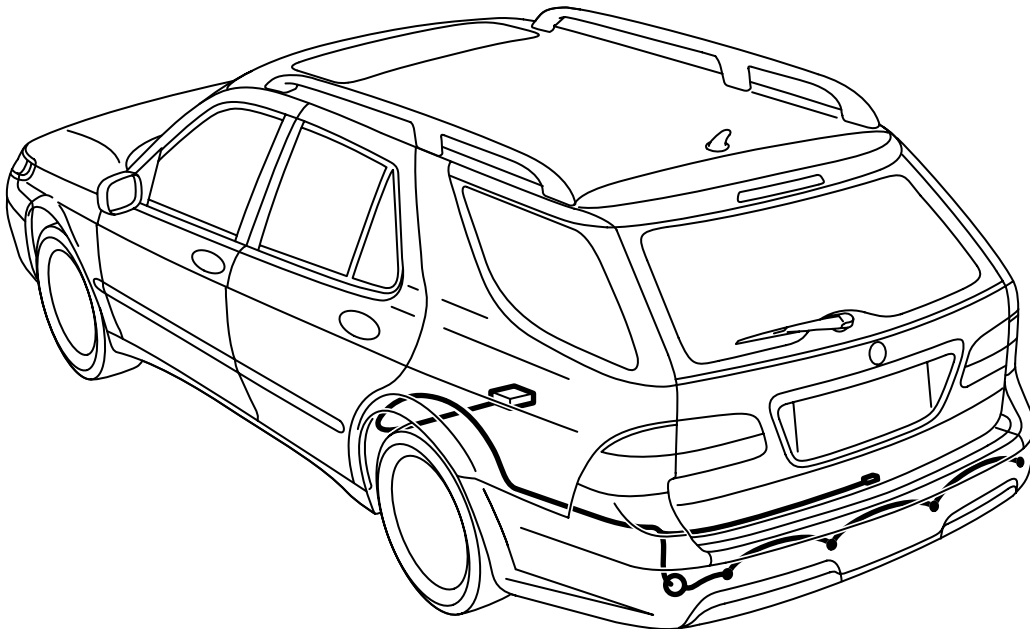


**MONTERINGSANVISNING · INSTALLATION INSTRUCTIONS
MONTAGEANLEITUNG · INSTRUCTIONS DE MONTAGE**

Saab 9-5 5D M06-

Parking assistance (SPA)

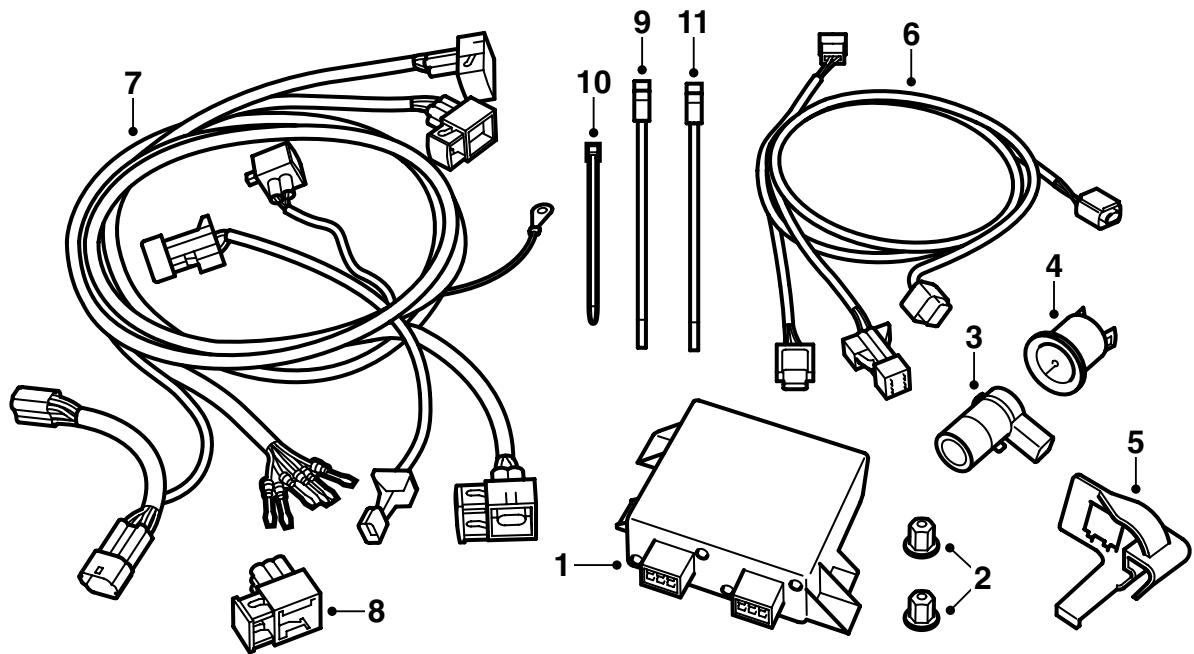
Accessories Part No.	Group	Date	Instruction Part No.	Replaces
32 025 687	9:40-07	Sep 05	32 025 690	



E930A384

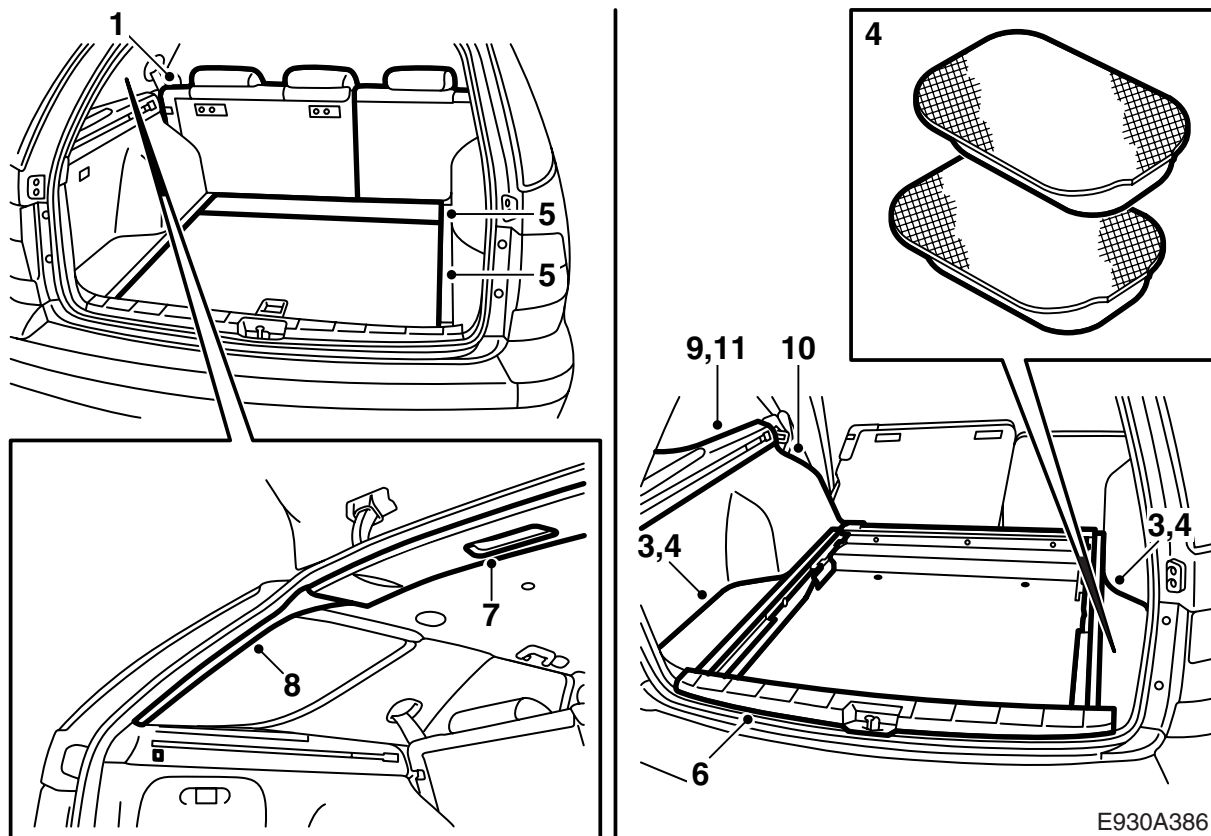
Important

To install the kit the car must be equipped with towbar wiring harness provision.



E930A385

- 1 SPA control module
- 2 Plastic nut (x2)
- 3 Distance sensor (x4)
- 4 Holder (x4)
- 5 Connector bracket
- 6 Wiring harness, distance sensor
- 7 SPA wiring harness
- 8 Connector
- 9 Cable tie (x15)
- 10 Cable tie
- 11 Cable tie (x2)



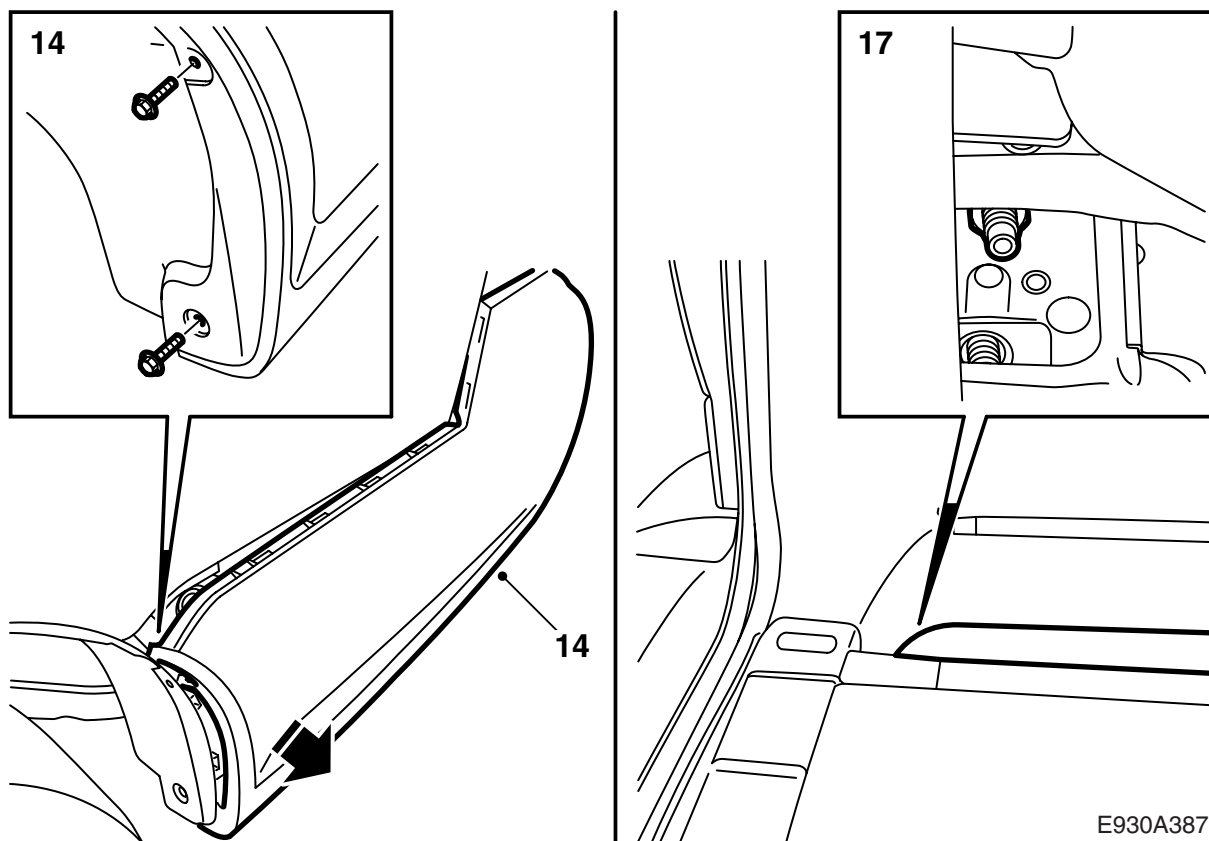
Before starting work the visible sections of the distance sensors and holders must be painted in the same colour as the bumper shell.

Important

The layer of paint must not be thicker than 90μ to avoid affecting system functionality.

- 1 Fold forward the left-hand section of the rear seat seat cushion and the left-hand section of the rear seat backrest. Remove the cover between the left-hand rear door and the backrest.
- 2 Lift out the cargo guard.
- 3 Lift away the covers over the storage compartments and lift out the storage boxes.
- 4 Remove the insulation pads. The old ones shall be discarded and replaced with new ones.
- 5 Remove the luggage compartment floor.
- 6 Remove the scuff plate, 2 covers, screws and clips.
- 7 **Steps 7-12 apply to the left-hand side.**
Detach the rear roof cover at the edge to obtain access to the D-pillar trim.
- 8 Remove the D-pillar trim, secured with clips.
- 9 Remove the parcel shelf support, 1 cover and 3 screws.
- 10 Remove the side bolster by first pulling its top edge so that the lock tongue releases. Then unhook the lower edge.

- 11 Remove the screws in the top edge of the side trim.
- 12 Fold out the side trim and unplug the connector to the CD changer if the car was equipped with one. Lift out the side trim.



- 13 Raise the car.
- 14 Remove the screws in the wheel housing. Pull the bumper's clips out from the edges of the wheel housing and the rear wing.
- 15 **Cars with towbar:** Unplug the connector for the towbar wiring harness and remove the four bolts holding the towbar to the body.

Important

The outer bolts are fitted in loose nut plates.

- 16 Lower the car.
- 17 Remove the nuts that hold the bumper. The lower studs only have nuts if the car is equipped with towbar.

Important

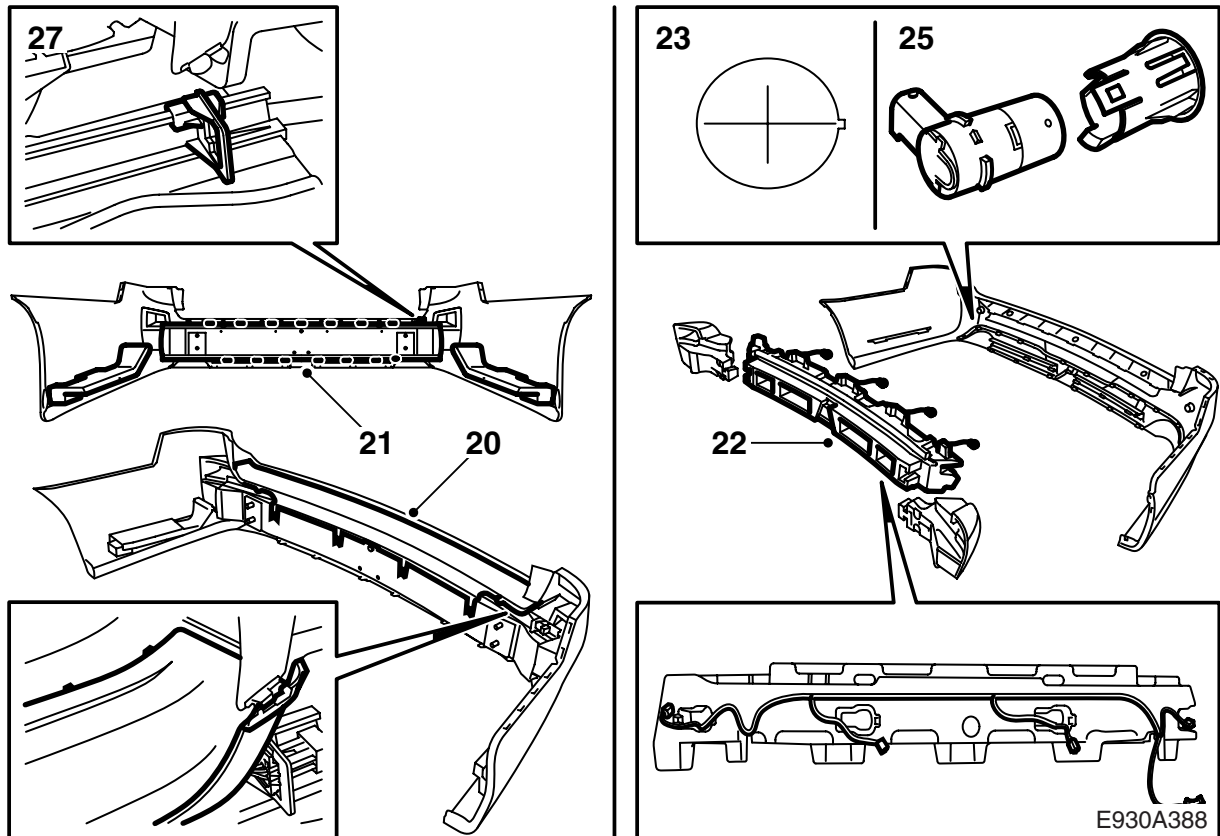
Work carefully during removal so that paint damage is avoided.

- 18 **Cars with towbar:** Remove the bolts for both reinforcements.
- 19 With help from an assistant, lift the bumper out backwards.

Important

Place the bumper on a soft, clean surface.

E930A387



- 20 Remove the upper protective shell as follows
- remove the screws
 - detach the outer section of the protective shell by pulling it forward
 - pull away the protective shell from the bumper shell.
- 21 Separate the member from the shell.
- 22 Remove the foam sections.
- 23 Drill 31 mm holes in the pre-punched markings in the bumper shell.
- 24 File out the guide groove 1 x 1 mm. The guide groove must be on the side of the hole facing the left-hand side of the bumper shell.

Important

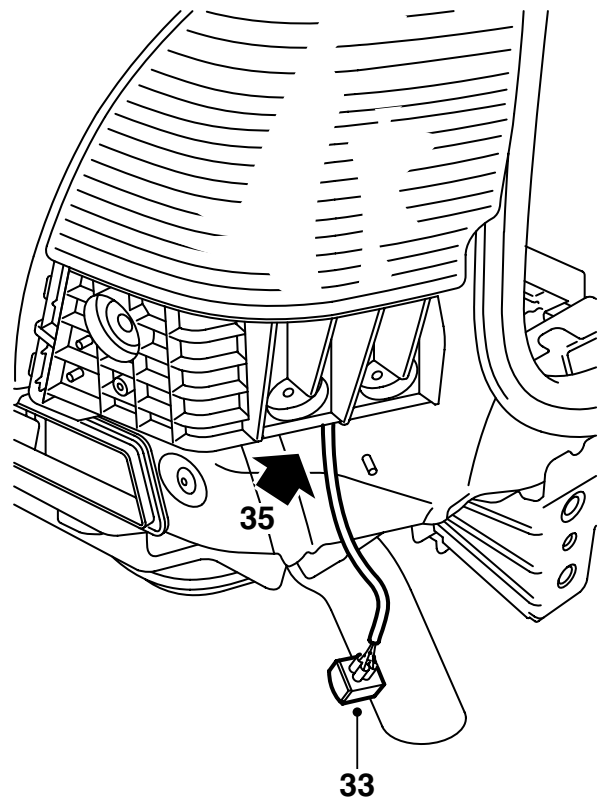
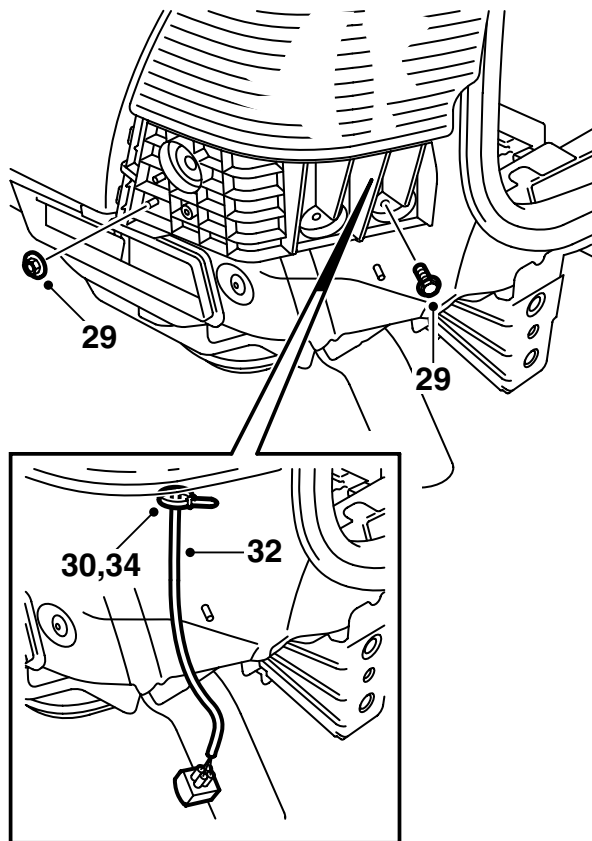
Do not file too far! The cover would then not be over the guide.

- 25 Assemble the distance sensors and then fit them in the bumper shell.
- 26 Pre-route the wiring harness in the centre foam section. Connect the wiring harness to the sensors and refit the foam sections and the member.

WARNING

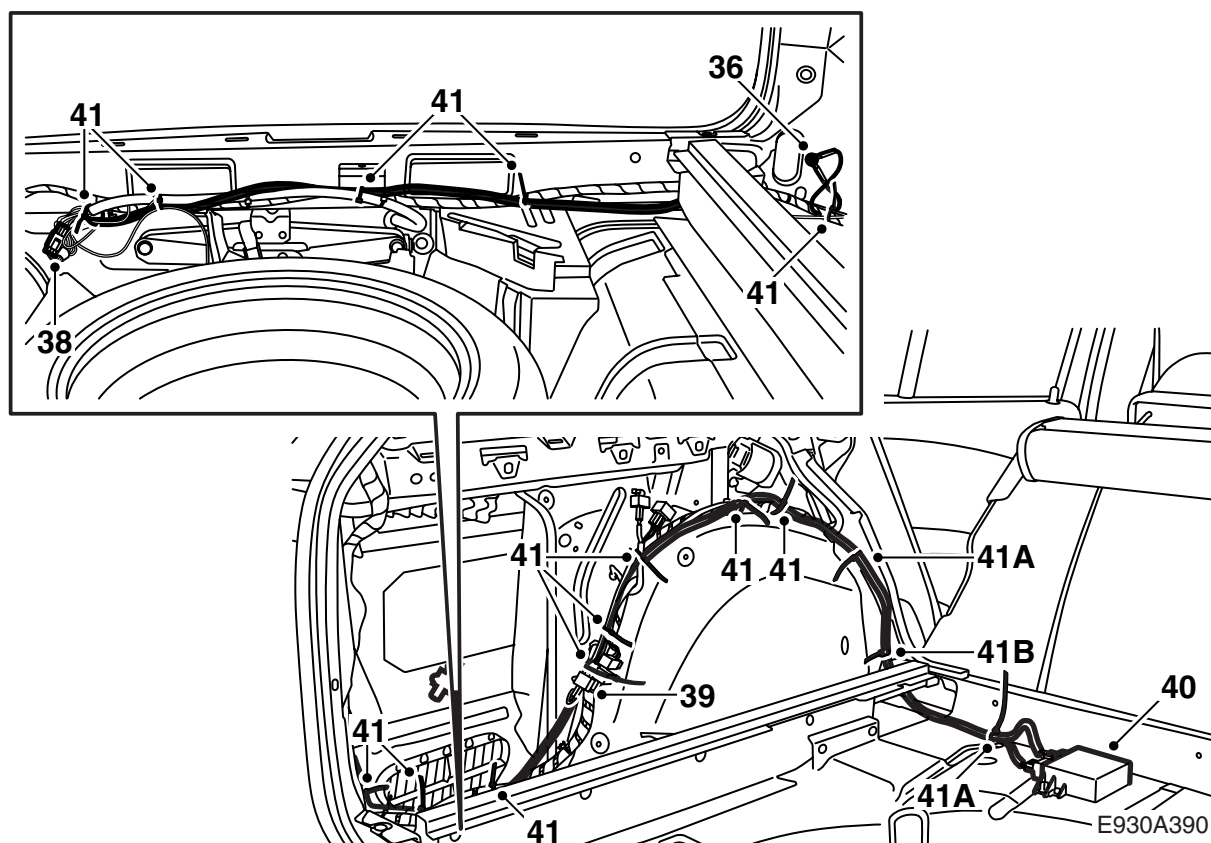
Check that the wiring harness is not pinched. Incorrect fitting can damage the wiring harness and cause a short-circuit/fire.

- 27 Fit the connector holder on the bumper rail.
- 28 Fit the upper protective shell.



E930A389

- 29 Remove the left-hand mounting bracket for the bumper under the left-hand tail lamp.
- 30 Remove the cable tie and tape from the rubber grommet below the left-hand tail lamp.
- 31 Tape the cable terminals together to facilitate the operation.
- 32 Pull the wiring harness out through the rubber grommet until the grommet is 370 mm from the end of the cable terminal taping.
- 33 Remove the tape from around the cable terminals and insert the cable terminals as follows:
 - 1 Black (BK)
 - 2 Brown (BN)
 - 3 Yellow (YE)
 - 4 Blue (BU)
 - 5 Orange (OG)
 - 6 Grey (GY)
- 34 Apply tape and a new cable tie (small) on the rubber grommet.
- 35 Fit the left-hand mounting bracket for the bumper shell under the left-hand tail lamp. The wiring harness must be located inside the bracket.



36 Attach the ground cable to the grounding point in the luggage compartment below the left-hand tail lamp.

37 Run the thicker section of the wiring harness against the left-hand wheel housing and the thinner section along the luggage compartment sill to the right-hand side of the car.

38 Plug the connector into the provision for the towbar wiring harness.

Cars with towbar: Unplug the connectors and plug both wiring harness connectors into them.

39 Plug in the wiring harness connector to the provision for the CD changer and fit the blind plug to the SPA harness connector. Affix anti-rattle tape and secure with a cable tie to avoid rattle. At the seatbelt, the wiring harness must be routed to the right and follow the wheel housing.

Cars with CD changer: Unplug the connectors and plug each wiring harness connector into them. Affix anti-rattle tape and secure with a cable tie to avoid rattle.

40 Connect the wiring harness to the control module and mount the control module on the floor. Tighten the plastic nuts.

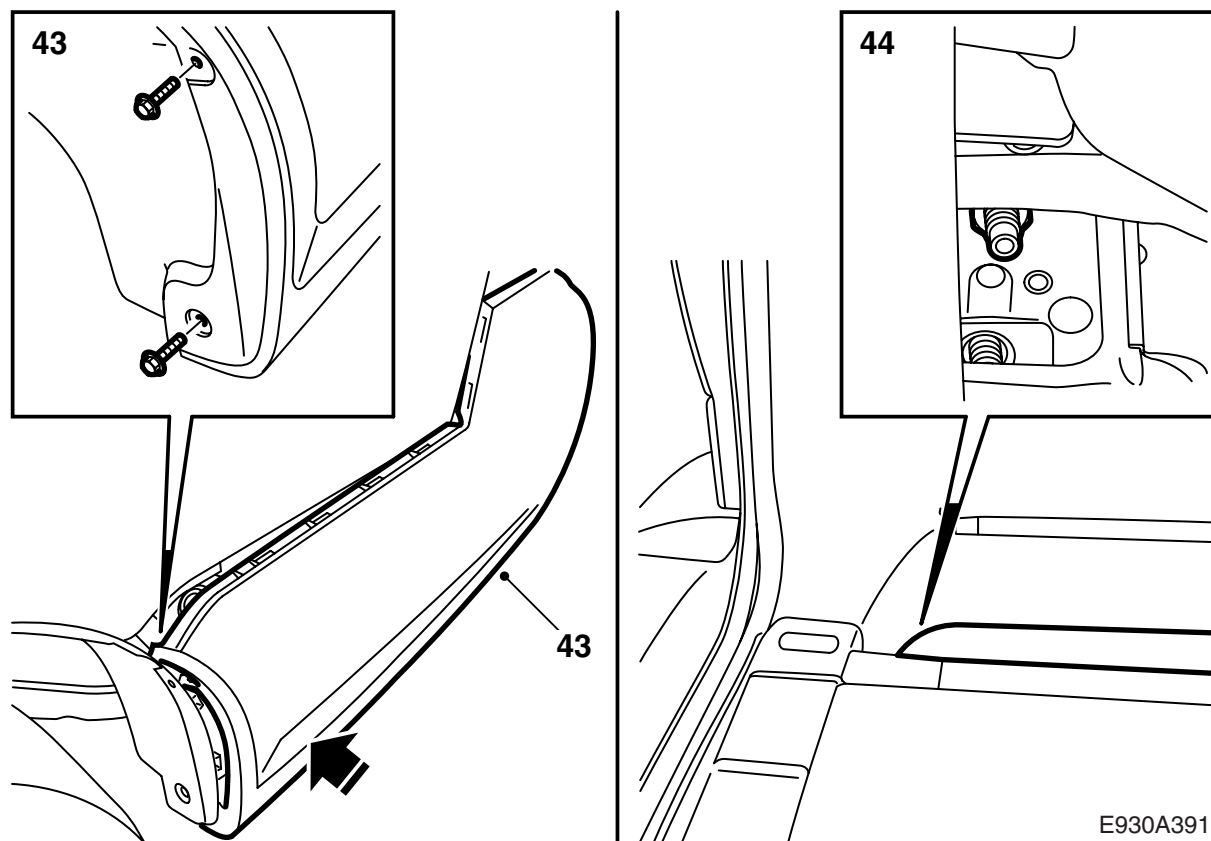
41 Use cable ties (x18) to secure the wiring harness along its entire route. Gather excess wiring harness and secure it above the wheel housing.

WARNING

Check that the wiring harness is not pinched. Incorrect fitting can damage the wiring harness and cause a short-circuit/fire.

A Cable tie for fitting on weld screw.

B Cable tie with clip for fitting in holes

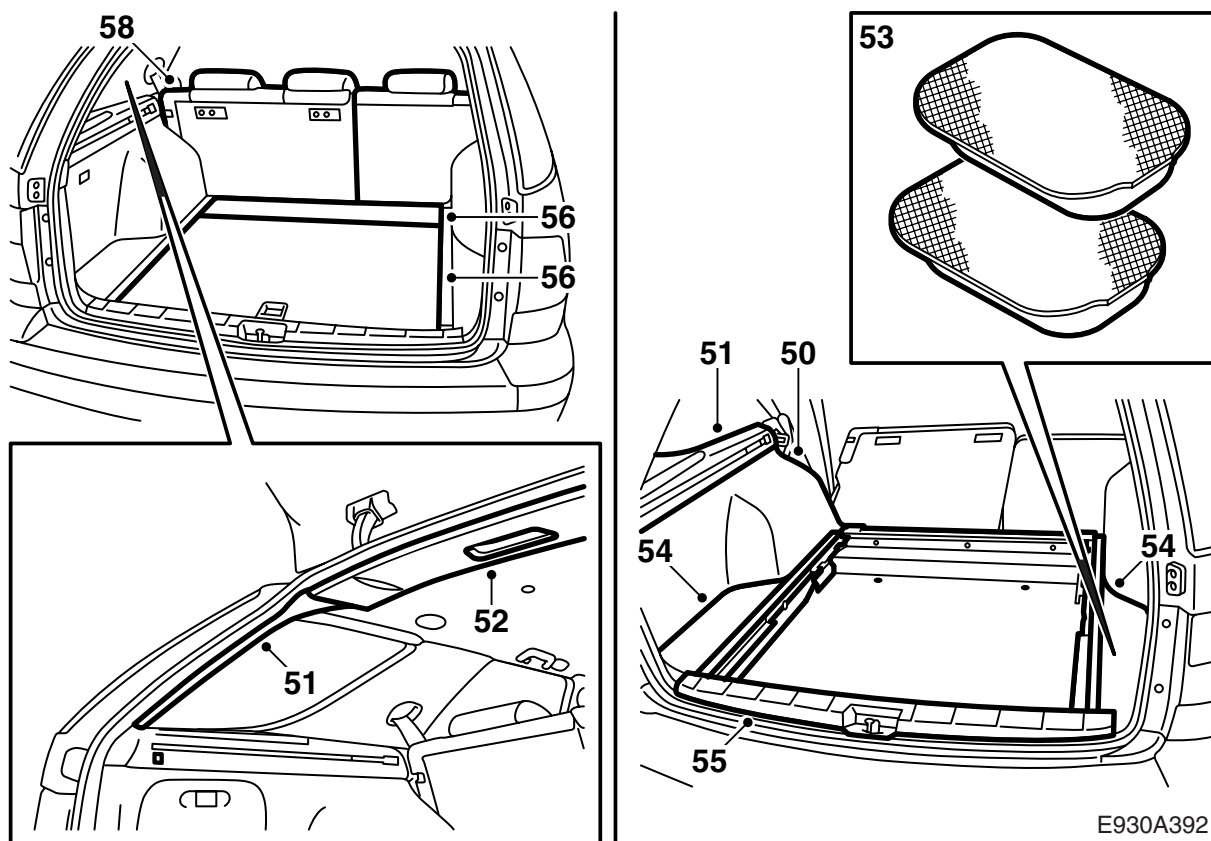


42 Align the bumper and plug in the connector.

Important

Work carefully during fitting so that paint damage is avoided.

- 43 Press the bumper shell in over the edge of the wheel housing and rear wing. Make sure that the clips are located correctly. Fit the screws in the edge of the wheel housing.
- 44 Fit the nuts that hold the bumper.
Tightening torque 40 Nm (30 lbf ft).
- 45 **Cars with towbar:** Screw the reinforcements to the car.
Tightening torque 40 Nm (30 lbf ft).
- 46 Raise the car.
- 47 **Cars with towbar:** Fit the connector for the towbar wiring harness.
- 48 **Cars with towbar:** Fit the bolts and nut plates holding the towbar to the body.
Tightening torque 40 Nm (30 lbf ft).
- 49 Lower the car.



- 50 Align the side trim and connect the CD changer if fitted. Tighten the screws in the top edge of the side trim.
- 51 Refit the cargo guard support (3 screws) and D-pillar trim.
- 52 Connect the roof lighting and press the roof cover into place.
- 53 Fit new insulation pads.
- 54 Fit the storage compartment in the floor and the outer sections of the luggage compartment floor.
- 55 Fit the scuff plate.
- 56 Fit the luggage compartment floor.
- 57 Lift in the cargo guard.
- 58 Fit the cover between the left-hand rear door and the backrest and fold back the rear seat backrests and seat cushions.

- 59 Check that the system warns against objects in the rear in the form of a varying number of tones from SID. The first tone is given when an object is at a distance of 1.8 metres. The signal then has a frequency of 2 tones per second, but the number of tones per second increases the closer the object becomes to the vehicle and changes as follows:
- 1.8 - 1.3 m: 2 tones/second
 - 1.3 - 0.9 m: 3 tones/second
 - 0.9 - 0.3 m: from 5 to 12 tones/second in close stages
 - 0.3 m: continuous tone