

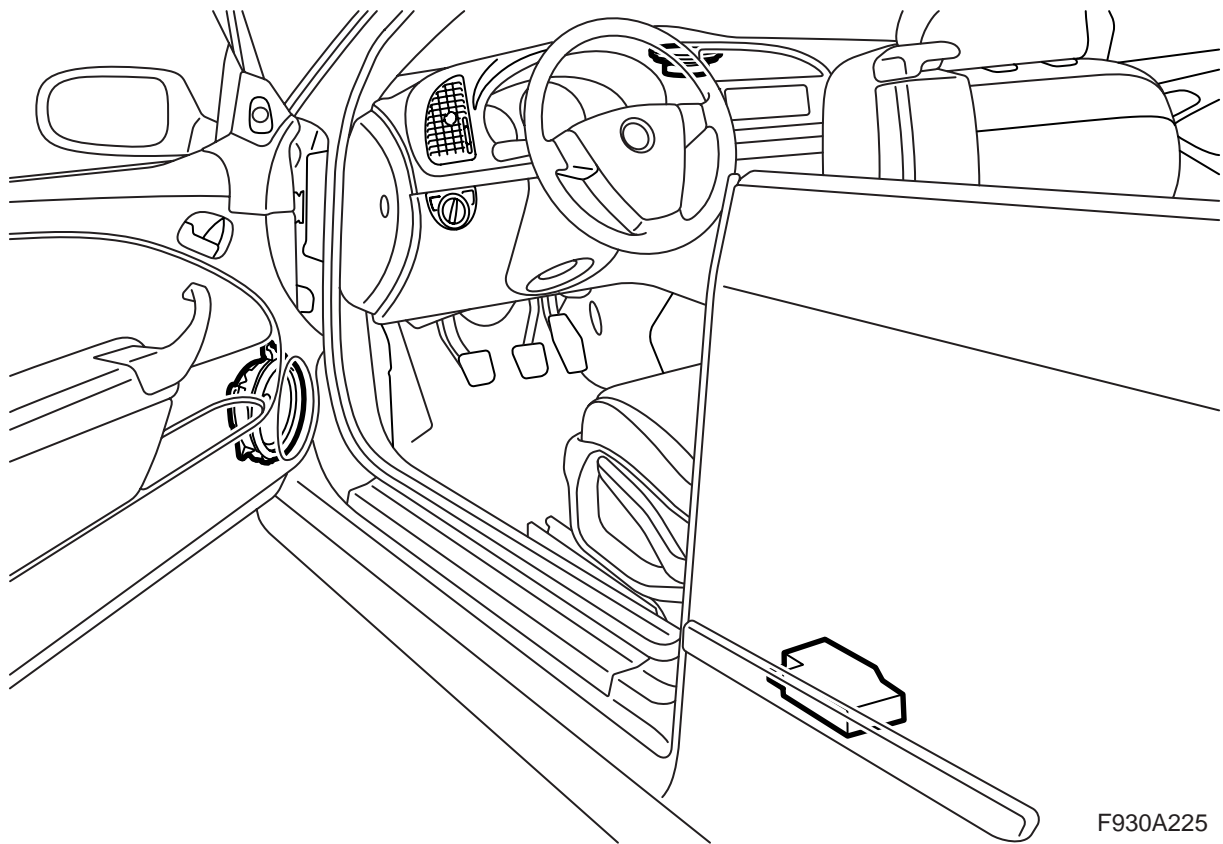


**MONTERINGSANVISNING · INSTALLATION INSTRUCTIONS  
MONTAGEANLEITUNG · INSTRUCTIONS DE MONTAGE**

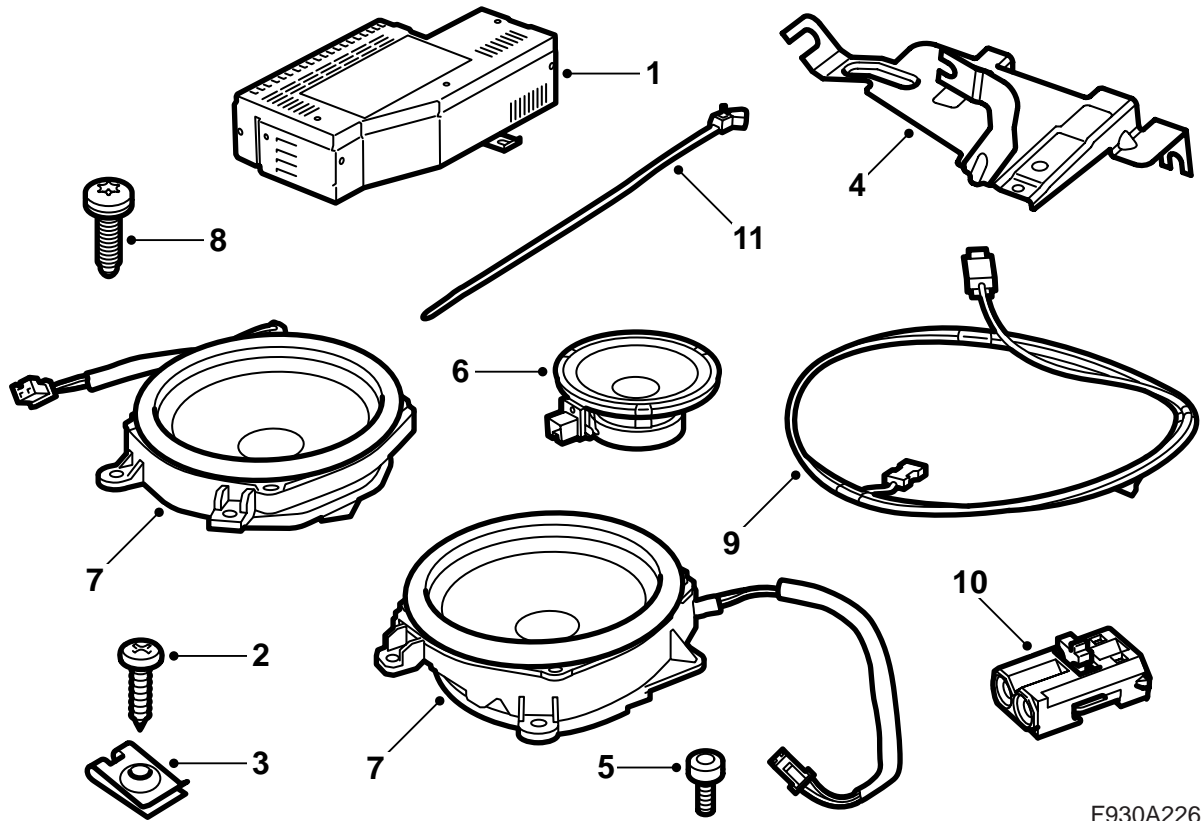
**Saab 9-3 CV M04-**

Upgrade to Premium 150 sound system

Accessories Part No.	Group	Date	Instruction Part No.	Replaces
12 832 503 32 000 571 32 025 849	9:36-25	Aug 06	12 832 513	12 832 513 Feb 05

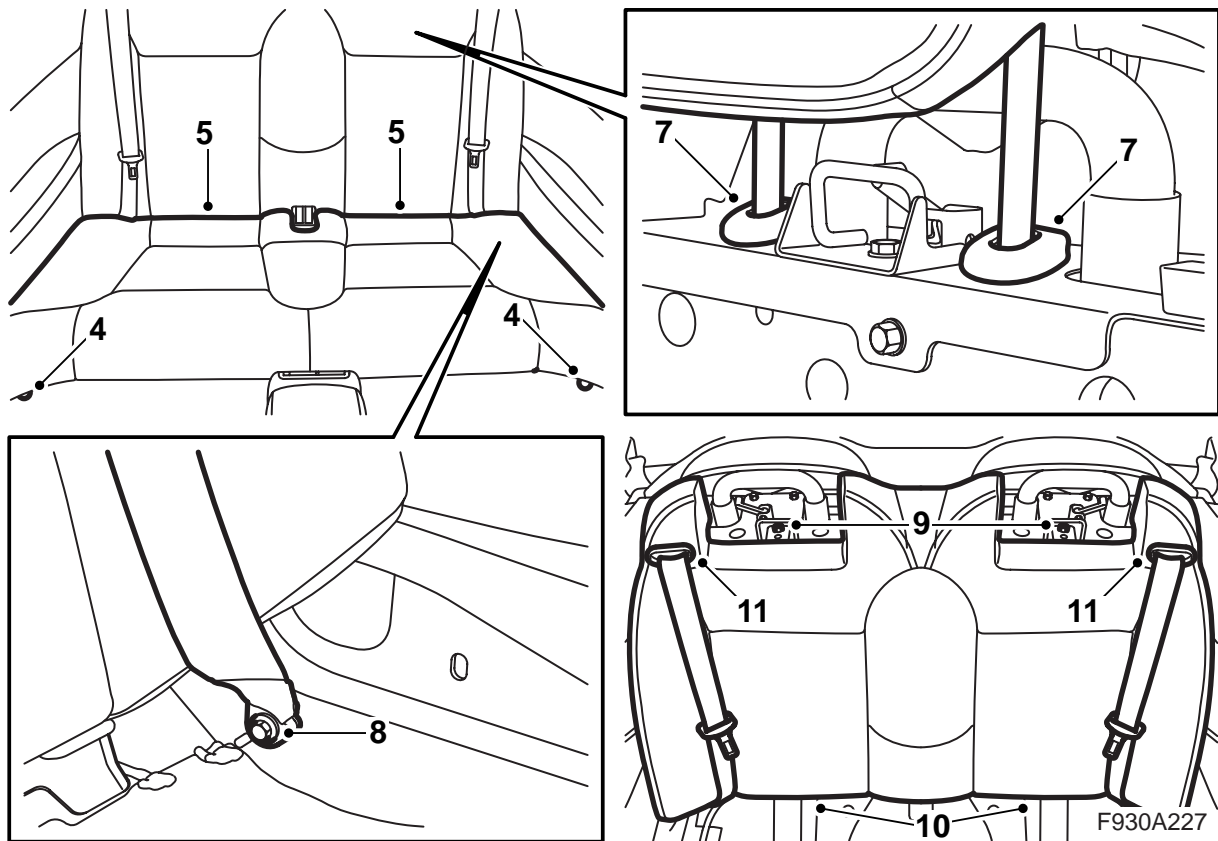


F930A225

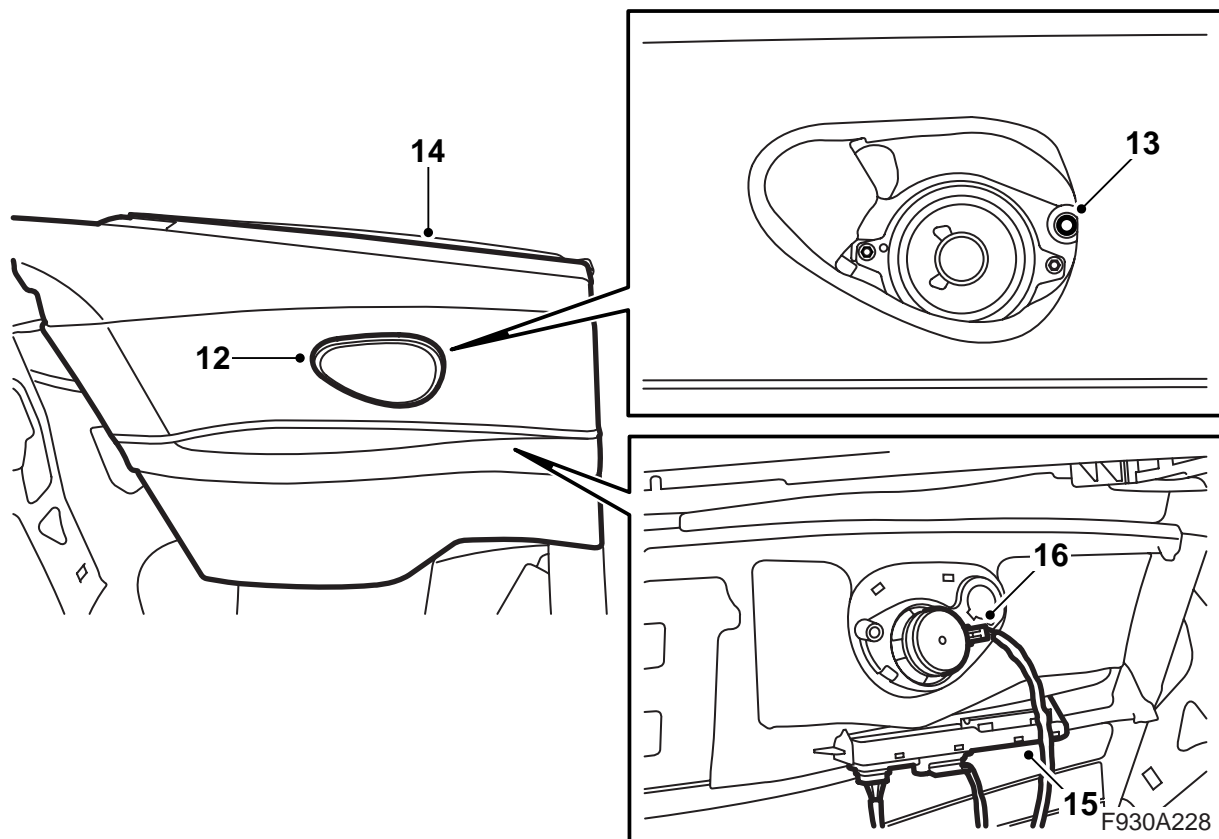


F930A226

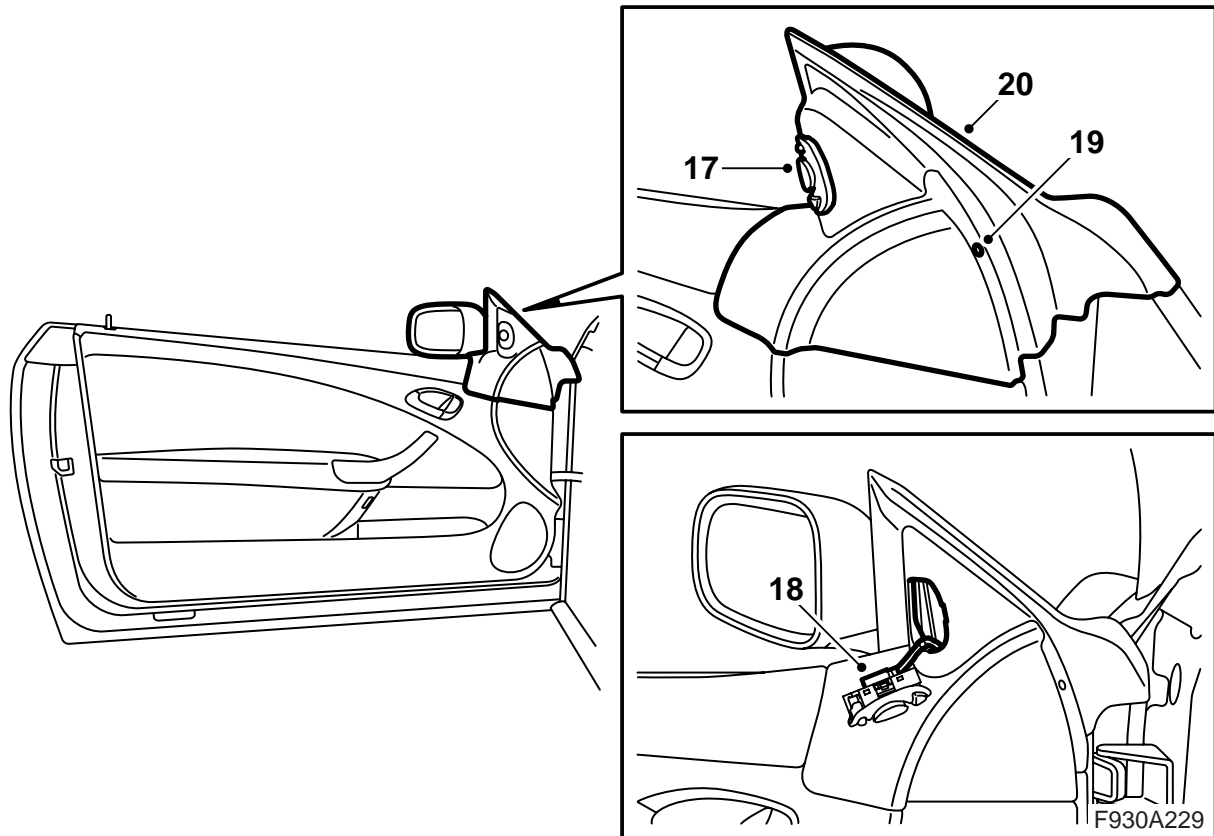
- 1 Amplifier
- 2 Screw
- 3 Clip nut
- 4 Bracket
- 5 Screw (x2)
- 6 Midrange speaker
- 7 Bass speaker (x2)
- 8 Screw (x8)
- 9 Fibre optic cable
- 10 Optical cable connector, 2-pin
- 11 Cable tie (x7)



- 1 Fold down the soft top completely, but allow the soft top cover to remain open.
- 2 Open the rear side window on the left-hand side completely.
- 3 Remove the battery's negative cable and remove the key from the ignition.
- 4 Remove the screws which hold the rear seat cushion at the front edge.
- 5 Lift up the cushion and pull it forwards so that it loosens.
- 6 Pull up both of the rear head restraints to the highest position.
- 7 Press in the lock on the head restraints' sleeves. Hold the lock pressed in and remove the head restraints.
- 8 Remove the screws for the seat belts' lower mounting.
- 9 Remove the two screws for the backrest cushion upper mounting.
- 10 Pull the backrest cushion lower section forwards and lift the backrest cushion upwards.
- 11 Press out the seat belt guide from the backrest cushion and move the seat belt out from the guide and the backrest cushion.

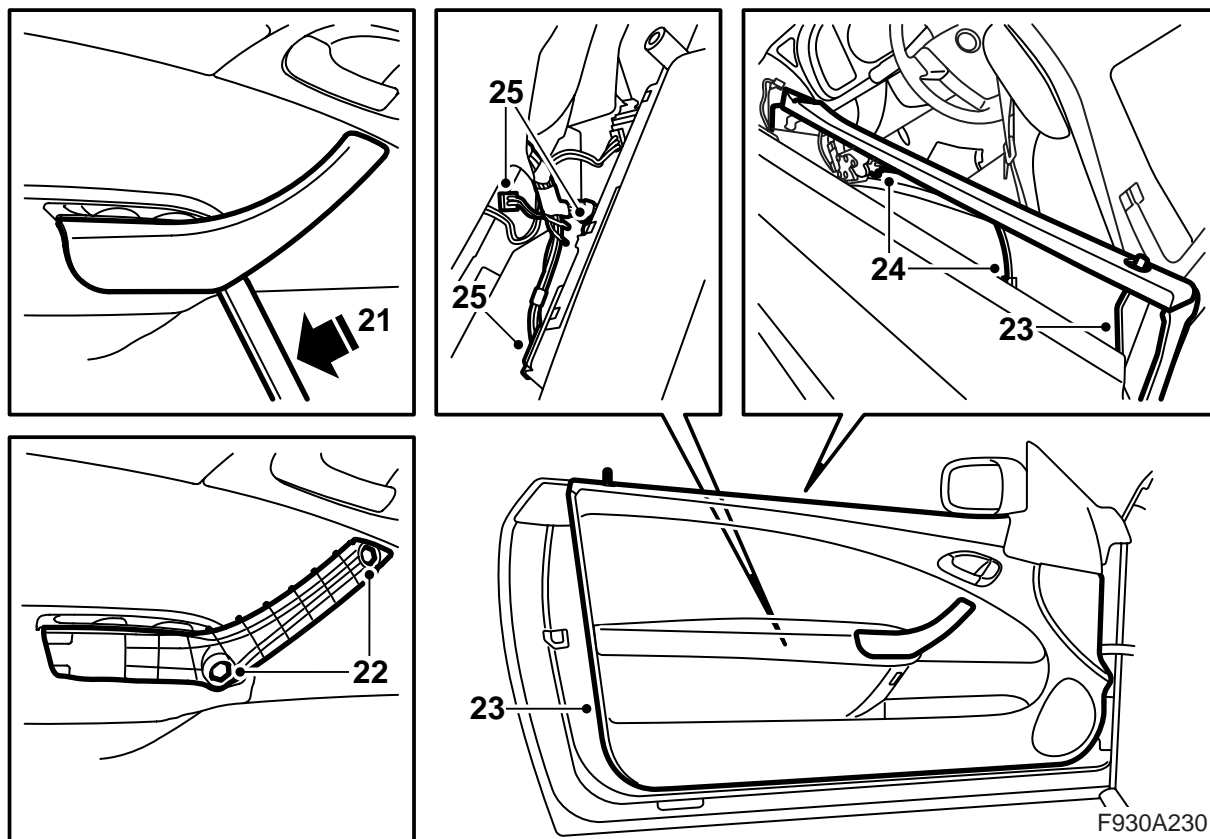


- 12 Carefully remove the speaker grille from the left-hand rear side trim. Use removal tool 82 93 474.
- 13 Remove the screw that holds the rear side trim on the left-hand side.
- 14 Lift the side trim upwards. Retain the rubber protectors.
- 15 Unhook the control module from the side trim, but do not remove the control module connector as this means a diagnostic trouble code being generated.
- 16 Remove the speaker connector and remove the side trim.



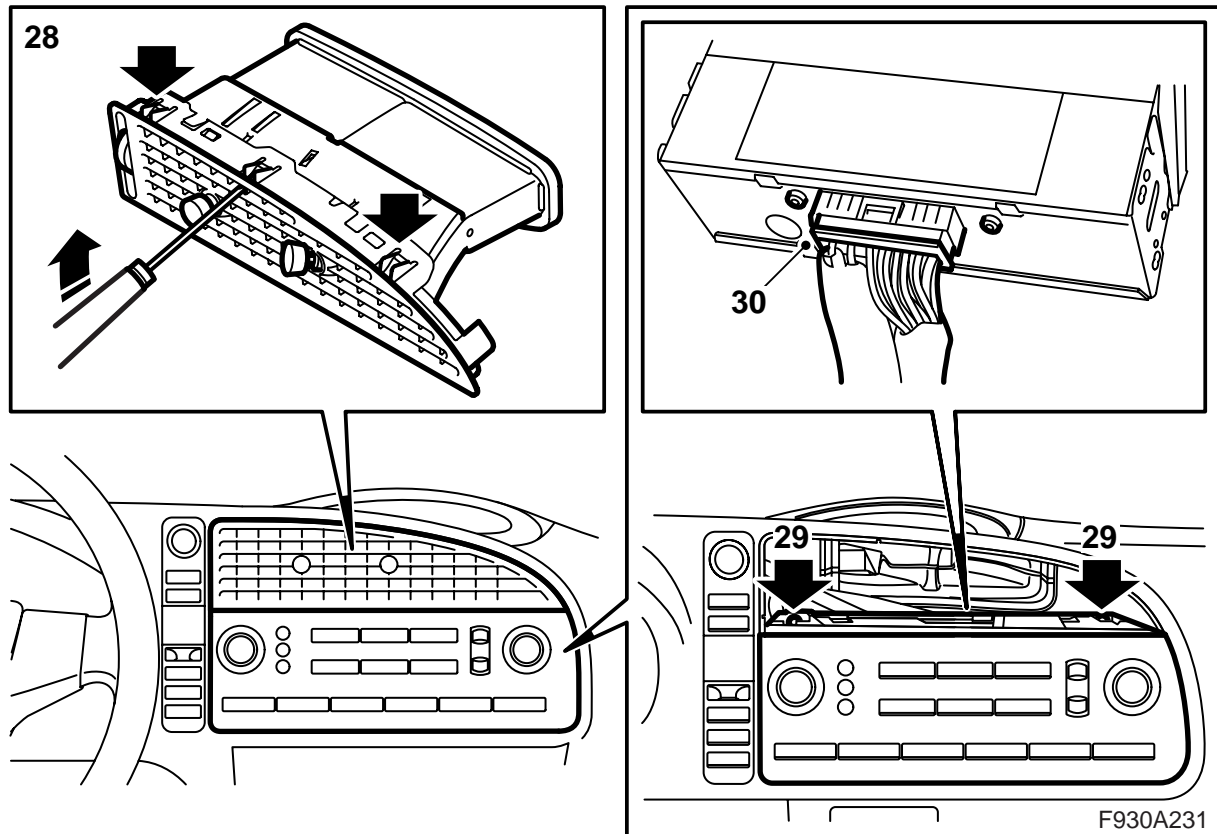
The instructions apply to the left-hand door, but the installation on the right-hand door takes place in a corresponding way.

- 17 **Driver's door:** Remove the rear-view mirror switch. Use Removal tool 82 93 474.
- 18 Remove the switch's connector.
- 19 Remove the screw for the rear-view mirror inner base cover.
- 20 Lift the cover upwards.



- 21 Remove the inner handle cover by placing a thin tool (removal tool 82 93 474 is recommended) under the handle and lifting upwards.
- 22 Remove the screws from the handle.
- 23 Lift the door trim upwards so that the hooks disengage from the door.
- 24 Remove the opening handle cable.
- 25 Remove the connector from the door trim and lift away the trim.
- 26 Place the door trim on a soft clean surface.
- 27 Repeat steps 19-26 on the other door.

F930A230



28 Remove the centre air vent in the dashboard by carefully bending in the hooks accessible through the grille.

### Note

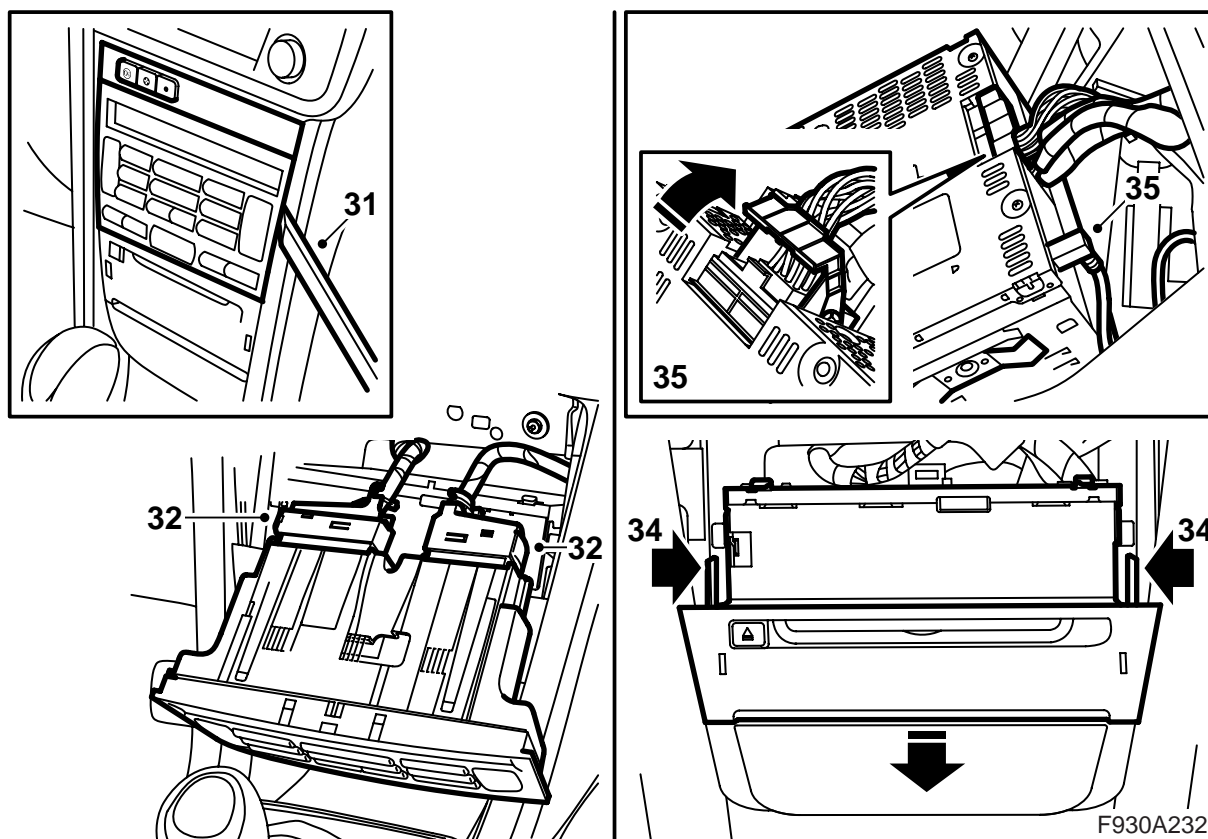
Take care to bend the correct hooks. Hooks holding together the air outlet are also visible behind the grille.

29 Remove the retaining screws for the infotainment control panel.

30 Remove the control panel and remove the connector.

### **WARNING**

The visible red light is a class 1 laser. Do not look directly into the optical fibre or the control module connector at close range. A distance of less than 20 mm between your eyes and the light source may cause eye injury.

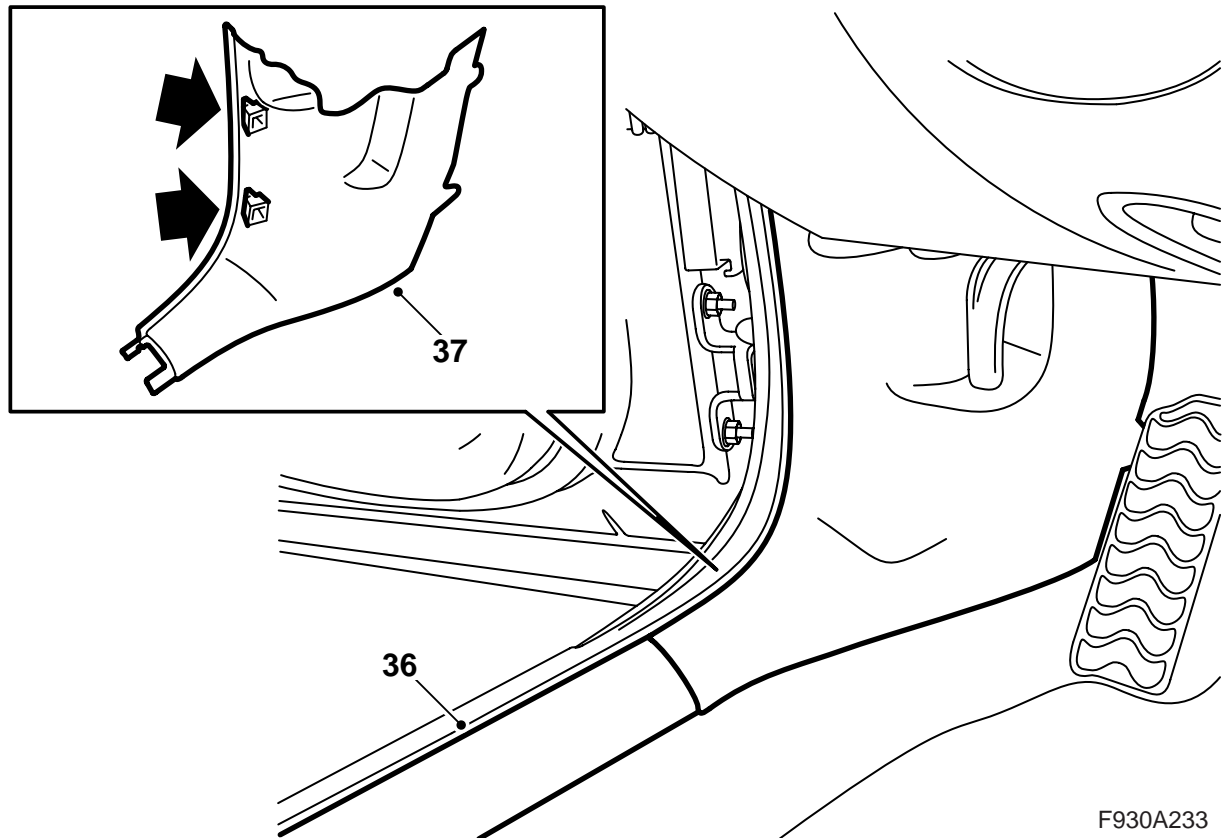


- 31 Remove the climate control system control unit by carefully drawing it out. Use removal tool 82 93 474.
- 32 Remove the control unit connector.
- 33 **Cars without CD player/CD changer in the dashboard:** Remove the cover.
- 34 Remove the radio main unit by pressing in the 2 catches.
- 35 Remove the connector from the CD player/CD changer (if fitted) and the main unit.

**⚠ WARNING**

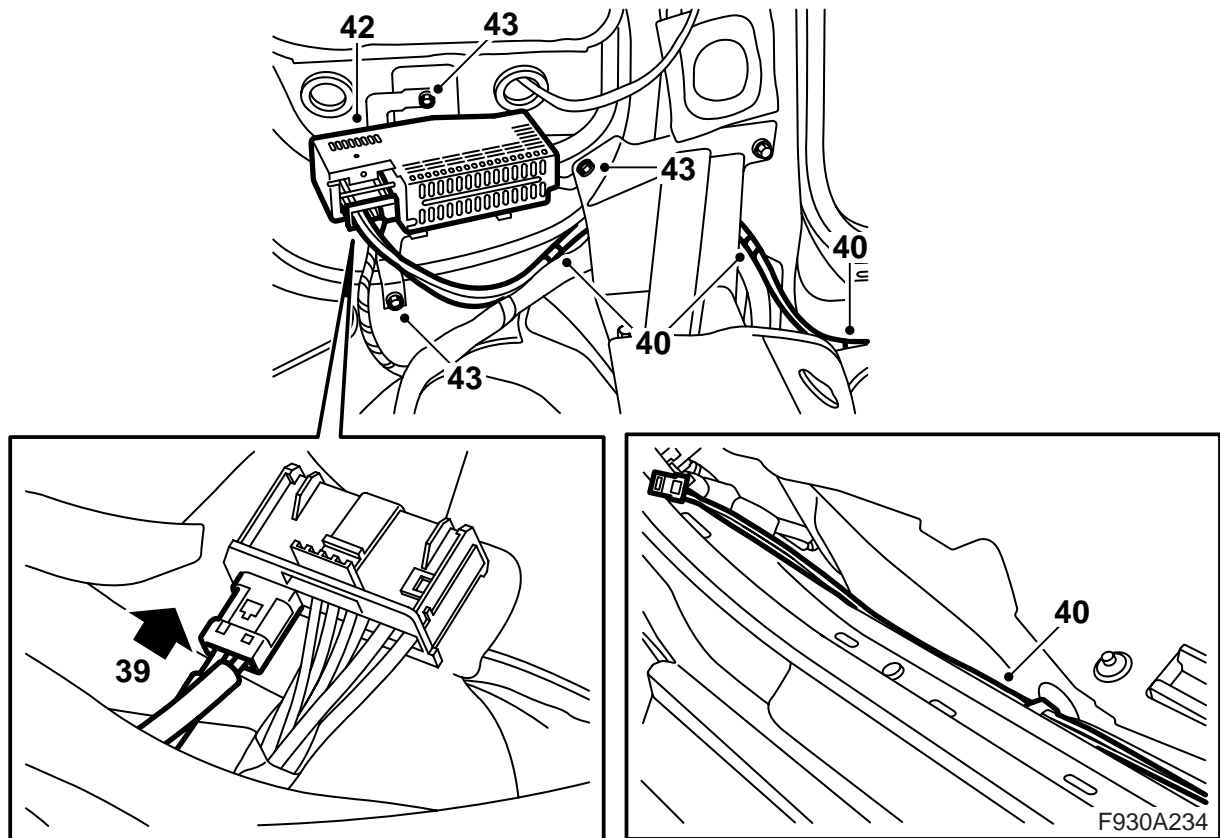
The visible red light is a class 1 laser. Do not look directly into the optical fibre or the control module connector at close range. A distance of less than 20 mm between your eyes and the light source may cause eye injury.





F930A233

- 36 Remove the scuff plate on the left-hand side of the car.
- 37 Remove the lower section of the A-pillar trim on the left-hand side.
- 38 Fold the carpet aside.



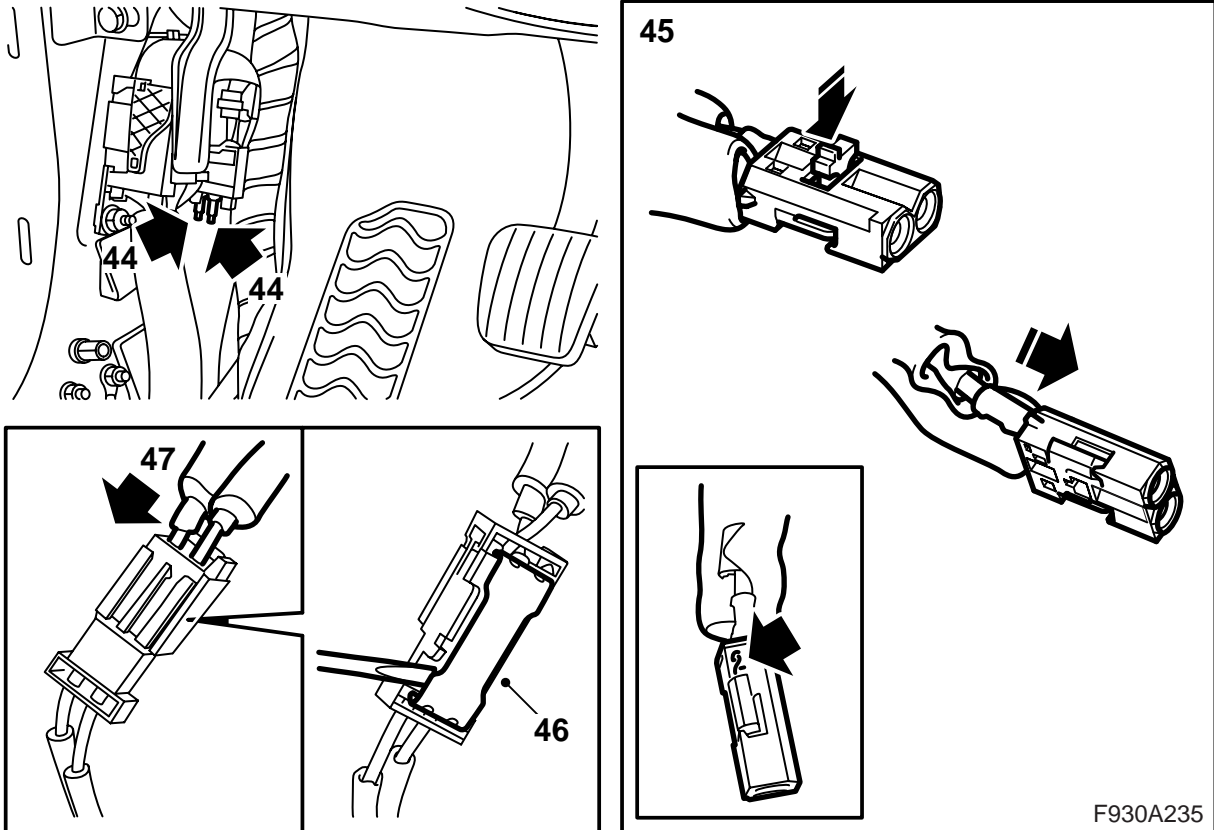
- 39 Fit the fibre optic cable from the kit into the amplifier's connector.
- 40 Position the fibre optic cable from the kit on top of the wiring harness by the sill area.

### Important

Handle the fibre optic cables with care or the signal may be distorted.

- It is very important that the two leads in the connector are not confused with one another.
- Do not splice the cables.
- Do not bend the cable in a radius smaller than 25 mm.
- Do not expose the cable to temperatures exceeding 85 °C.
- Keep the cable ends free from dirt and grime.
- Do not expose the cable to impact as this may cause the transparent plastic to whiten, thereby reducing the intensity of the light and causing possible communication interruptions.
- The cable should not lie against any sharp edges as this may cause increased signal reduction.

- 41 Fit the clip nut to the amplifier's bracket.
- 42 Fit the amplifier to the bracket.
- 43 Fit the amplifier with the bracket.



44 Locate the blue and the green marked fibre optic cables by the A-pillar.

**If there is no colour marking:** Search behind the infotainment system control panel for the fibre optic cable which is not connected, remove the protective cover from the fibre optic cable connection and shine a light onto the connection. Locate the other end by the A-pillar. Mark with a piece of tape. Fit the protective cover onto the fibre optic cable behind the control panel.

45 Fit the green marked connection on the fibre optic cable in position 1 in the small connector in the set and the blue marked connection on the fibre optic cable in position 2.

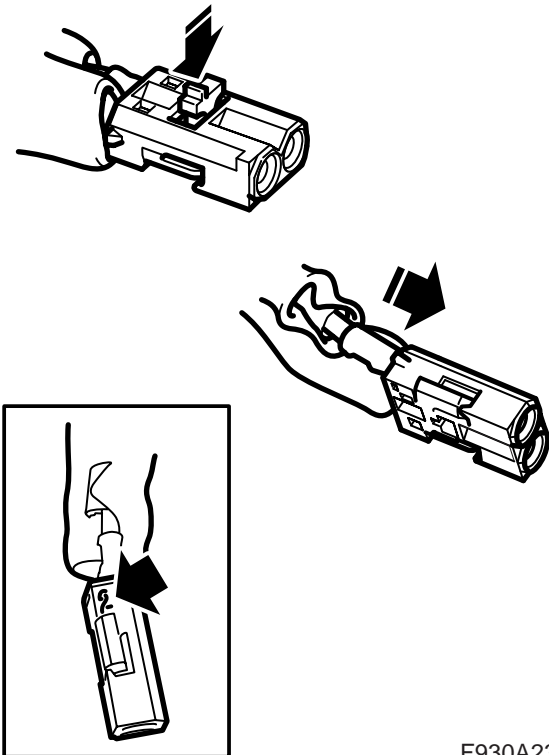
### Important

For cars without colour marked fibre optic cables the cable previously marked with tape must be fitted in position 1 and the other unmarked connection must be fitted in position 2.

Fit the lock.

46 Lift up the lock tab on the connector on set's fibre optic cable.

45

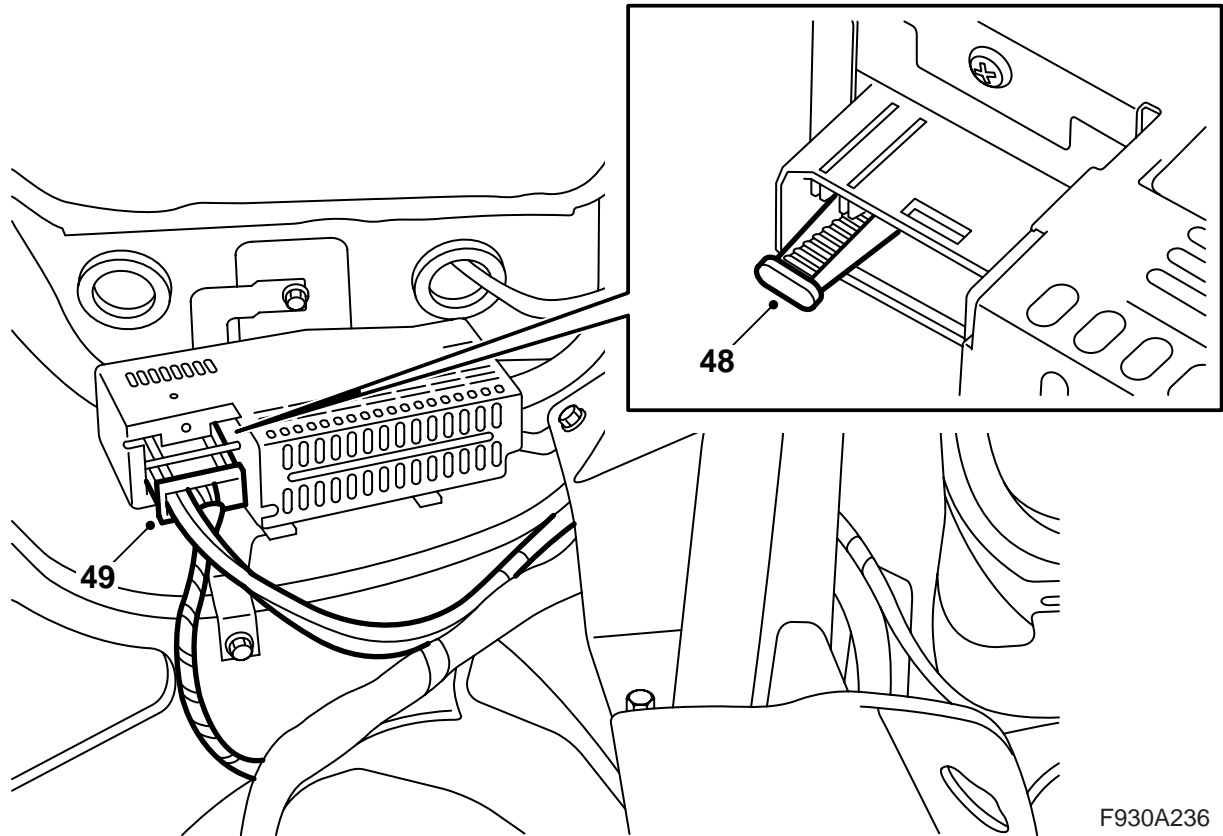


47 Fit the small connector into the cable connector and fit the lock tab.

### Important

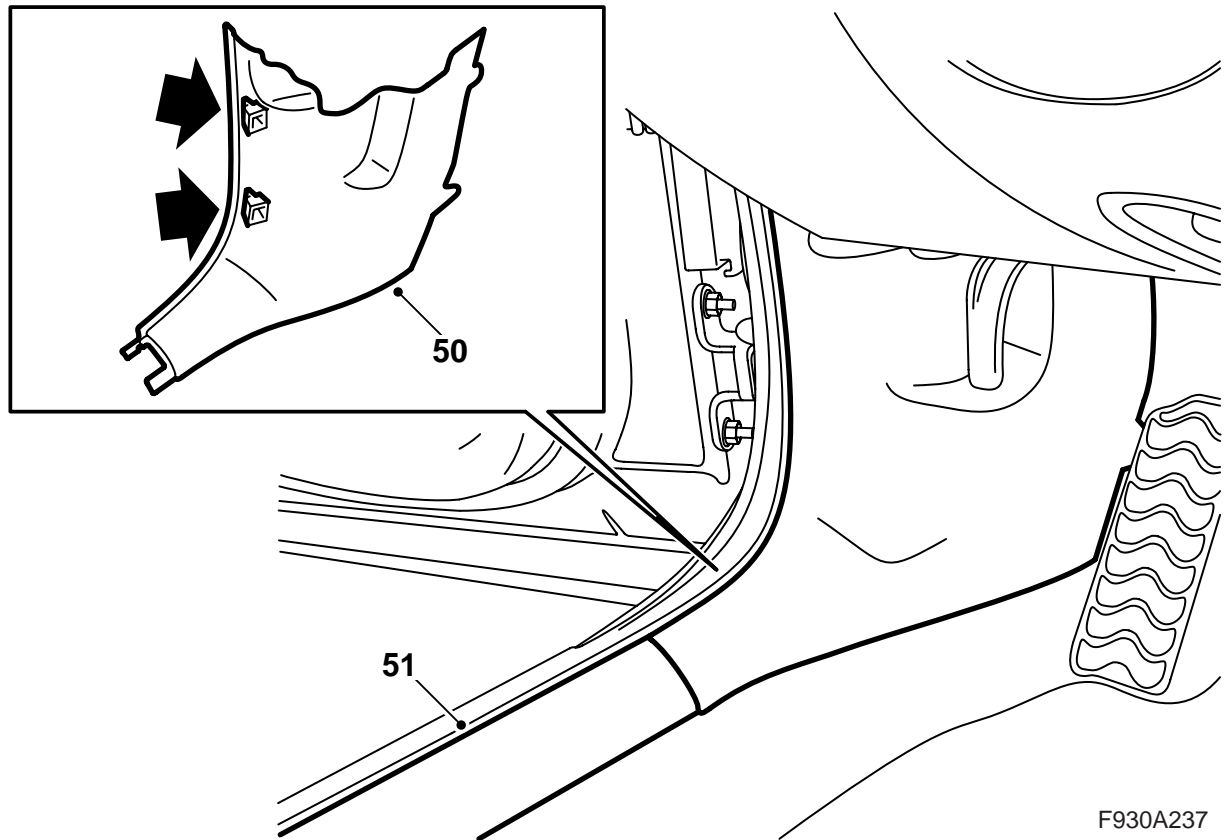
Handle the fibre optic cables with care or the signal may be distorted.

- It is very important that the two leads in the connector are not confused with one another.
- Do not splice the cables.
- Do not bend the cable in a radius smaller than 25 mm.
- Do not expose the cable to temperatures exceeding 85 °C.
- Keep the cable ends free from dirt and grime.
- Do not expose the cable to impact as this may cause the transparent plastic to whiten, thereby reducing the intensity of the light and causing possible communication interruptions.
- The cable should not lie against any sharp edges as this may cause increased signal reduction.



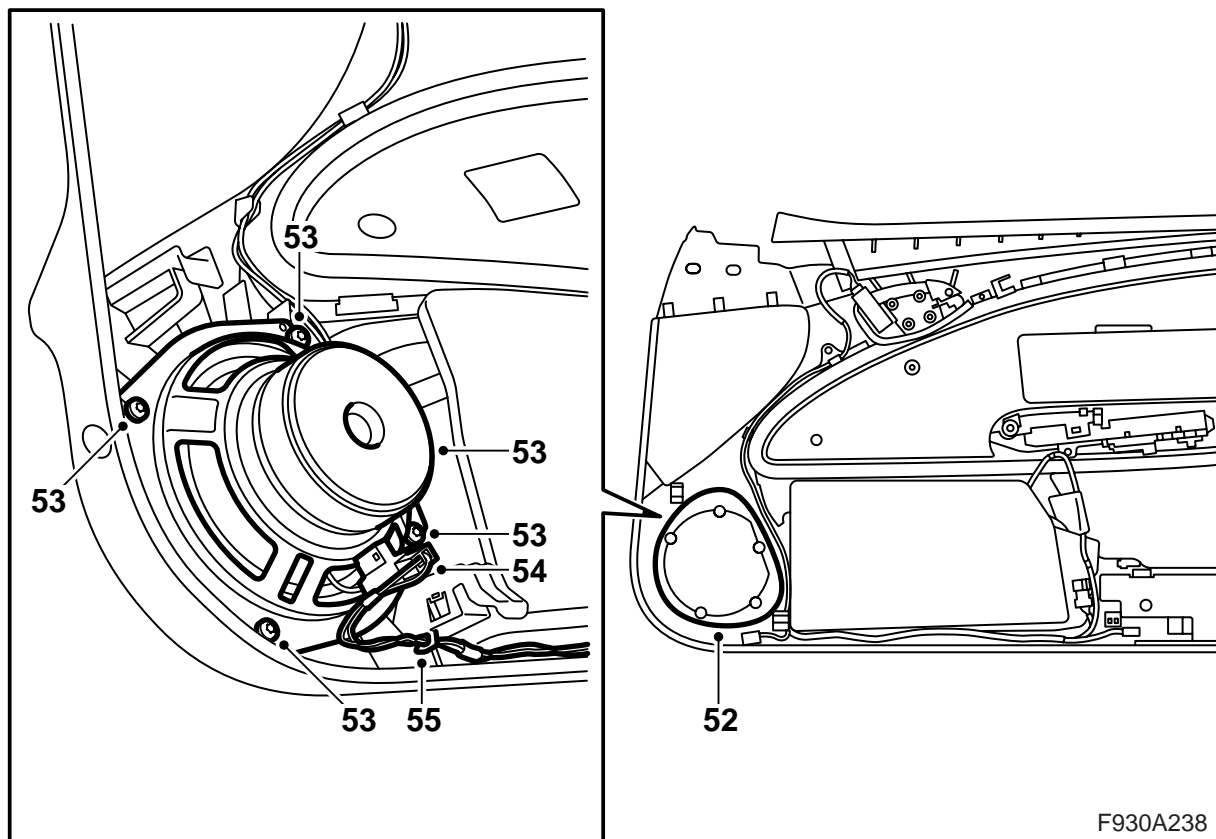
F930A236

- 48 Remove the protective cover over the fibre optic cable connection on the amplifier.
- 49 Connect the amplifier.



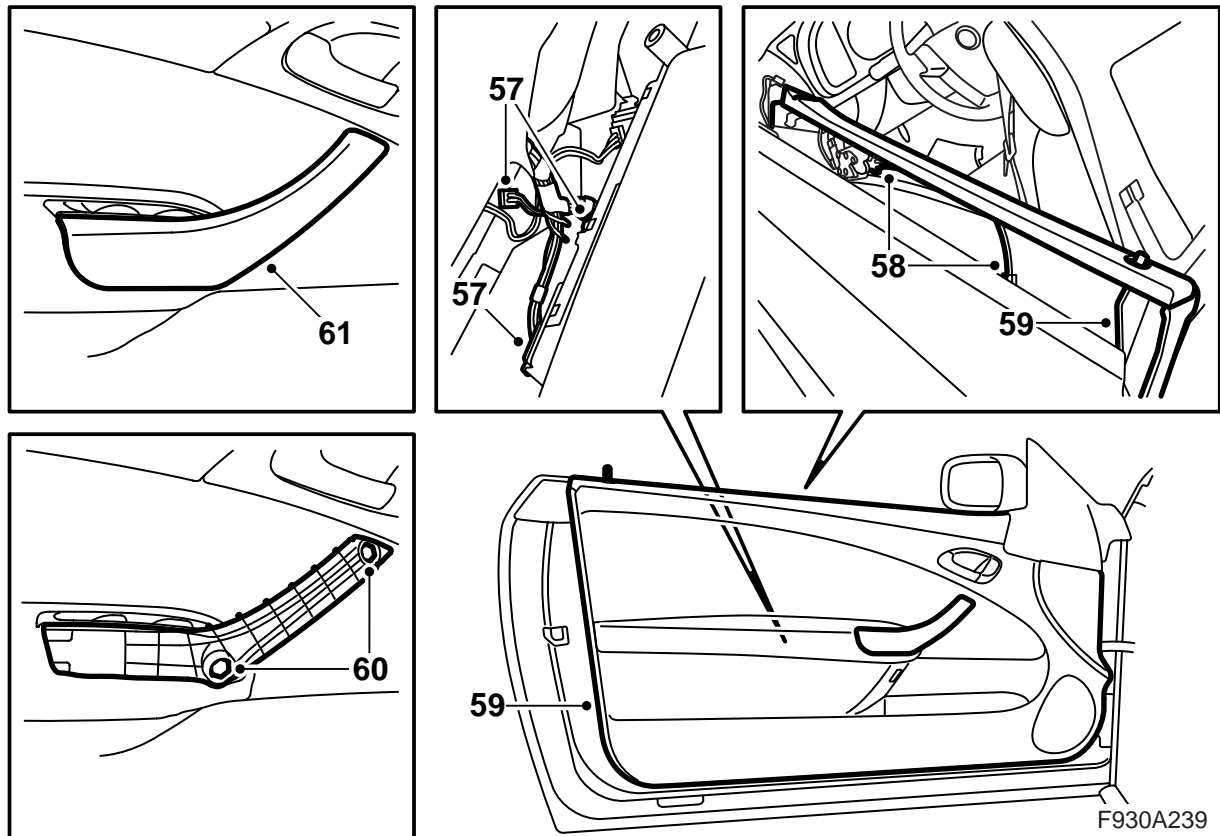
50 Fold back the carpet and fit the A-pillar trim.

51 Fit the scuff plate.



F930A238

- 52 Cut out for the speaker as per the markings on the inner side of the door trim.
- 53 Fit the speaker.
- 54 Connect the speaker wiring harness.
- 55 Set the speaker cable in the door trim.
- 56 Repeat steps 52-55 for the other door trim.

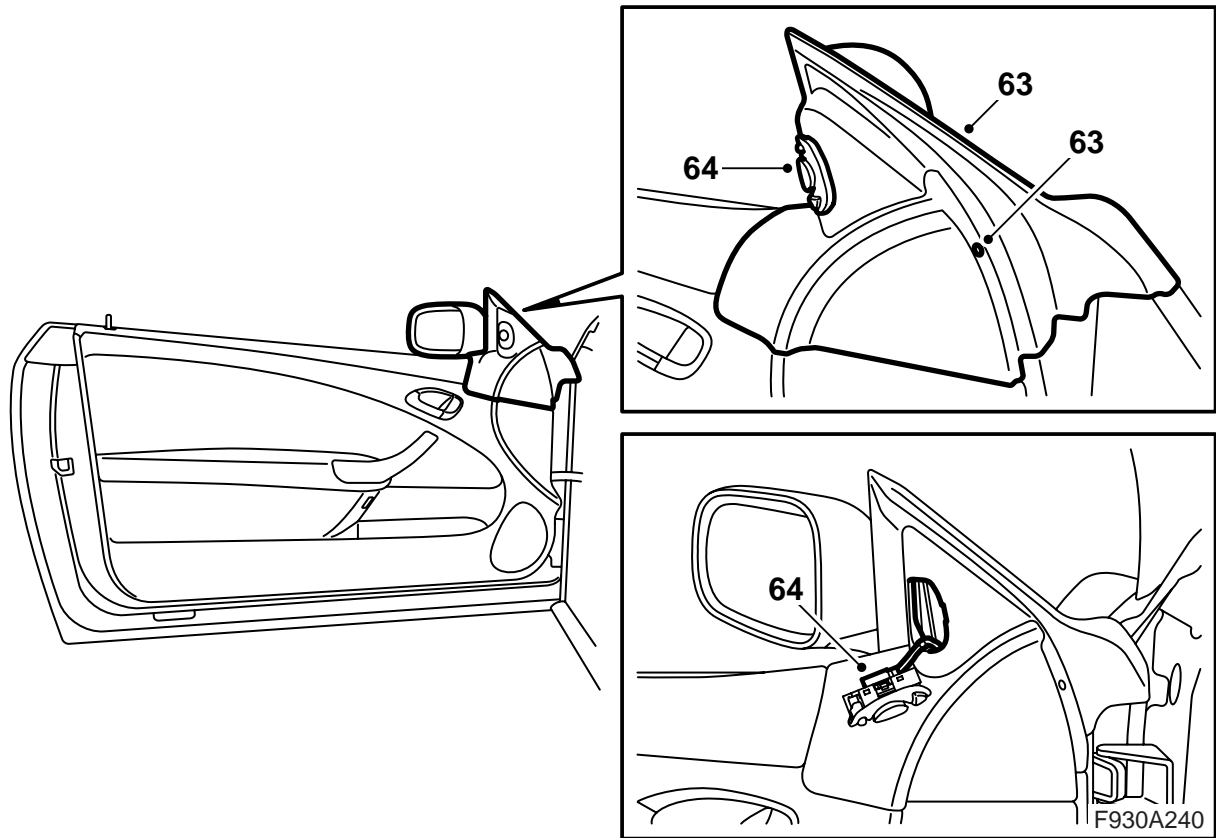


- 57 Connect the connector to the door trim.
- 58 Fit the opening handle cable.
- 59 Engage the door trim hooks in the door's bracket and press down.

### Note

Check that the water shields are intact.

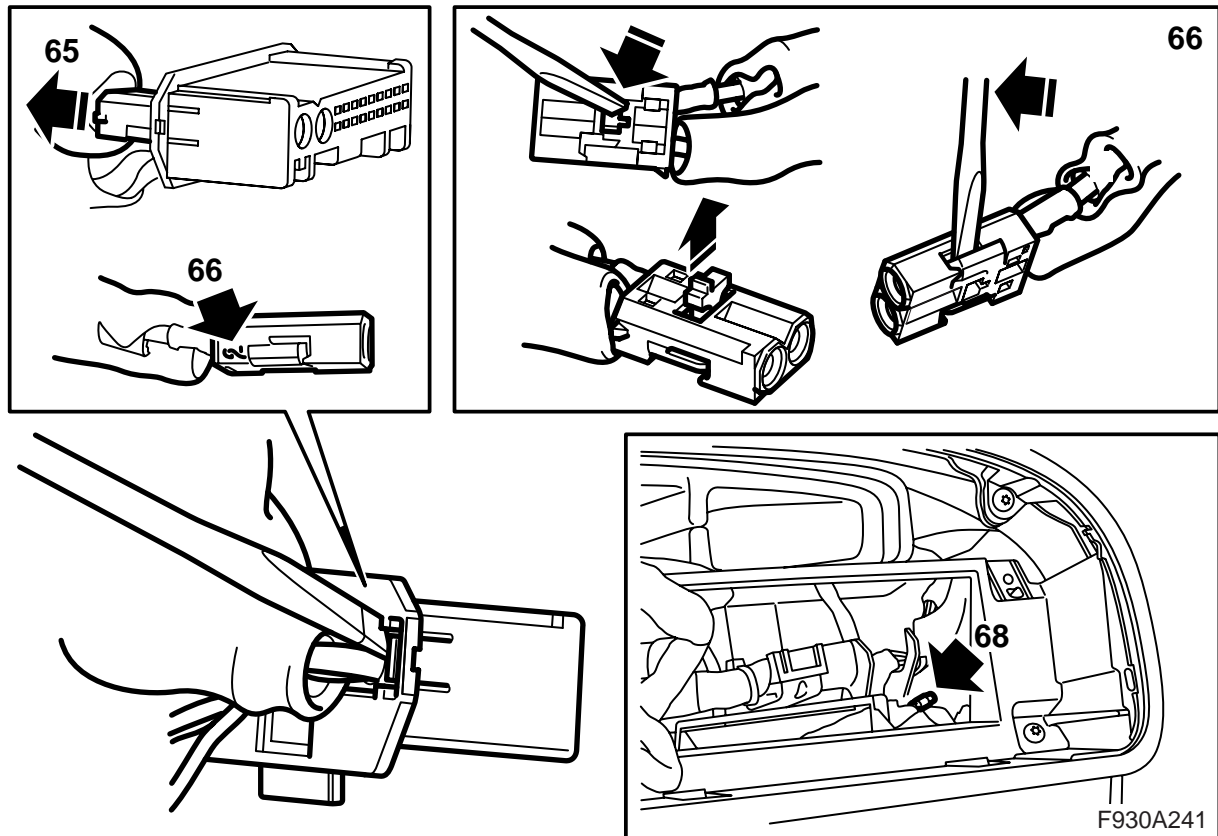
- 60 Fit the screws to the handle.
- 61 Fit the cover on the inner handle.
- 62 Repeat steps 57-61 on the other door.



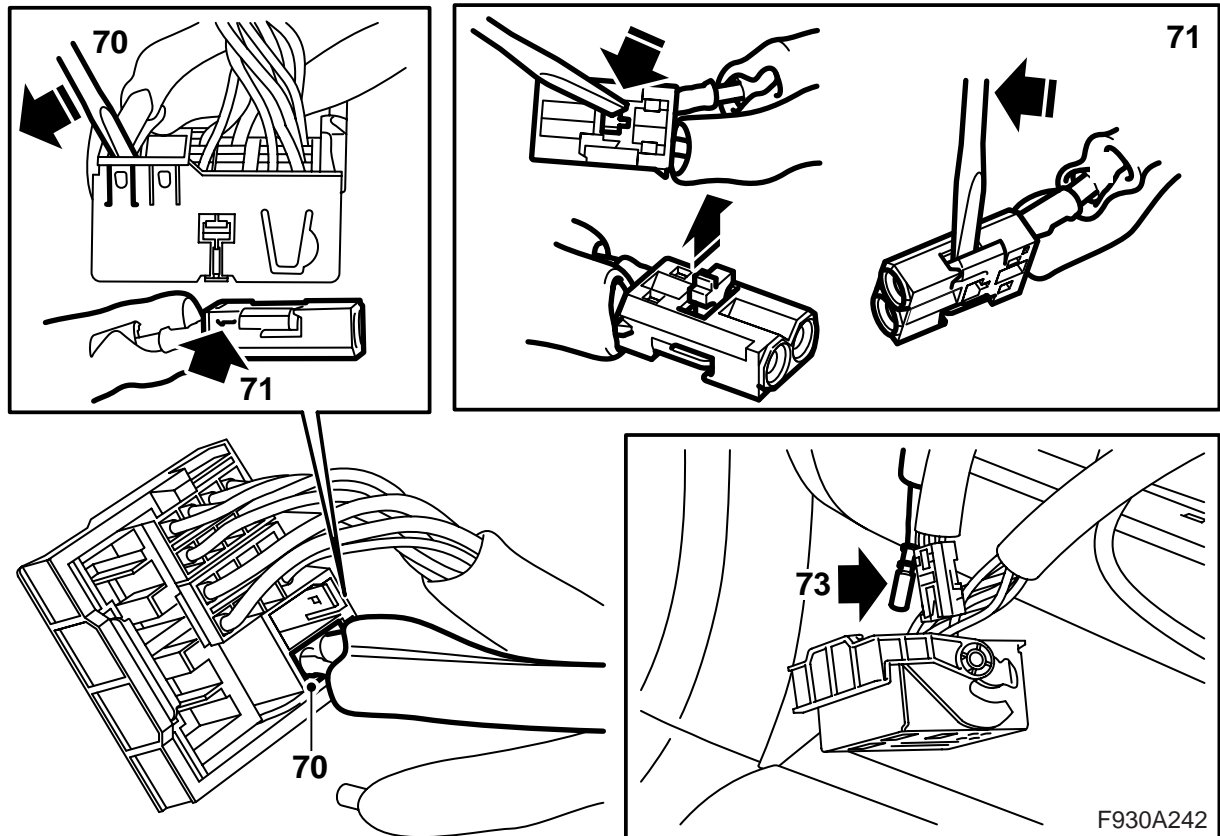
63 Fit the rear-view mirror base cover from above and fit the screw.

64 Connect and fit the rear-view mirror switch.

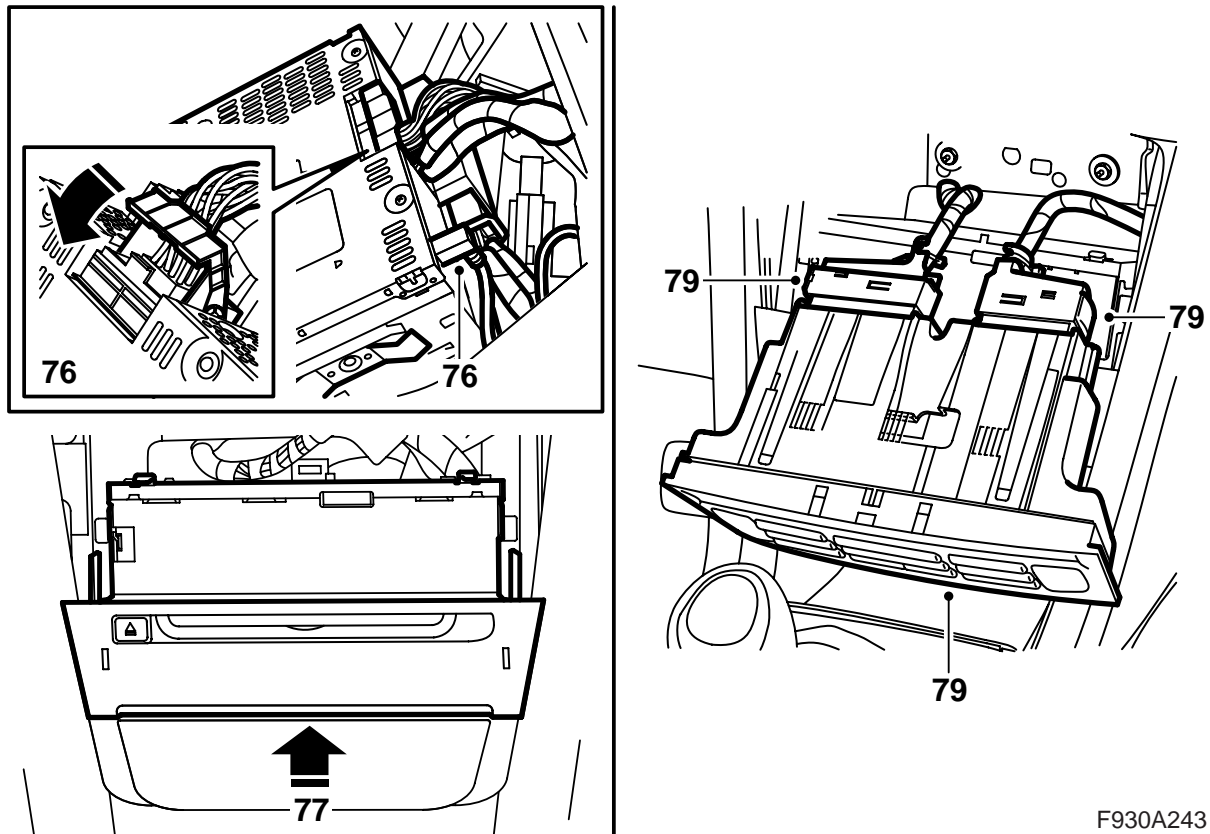




- 65 Remove the fibre optic cable connector (the small connector) from the control panel connector.
- 66 Remove the fibre optic cable which is connected to position 2 by opening the connector locking clip and carefully lifting the hook.
- 67 Fit the protective cover onto the removed fibre optic cable connection and carefully move the fibre optic cable aside in order to prevent damage.
- 68 Fit the blue marked fibre optic cable (the cable that was not connected) behind the control panel in position 2. Fit the lock.
- 69 Fit the small connector to the large connector.

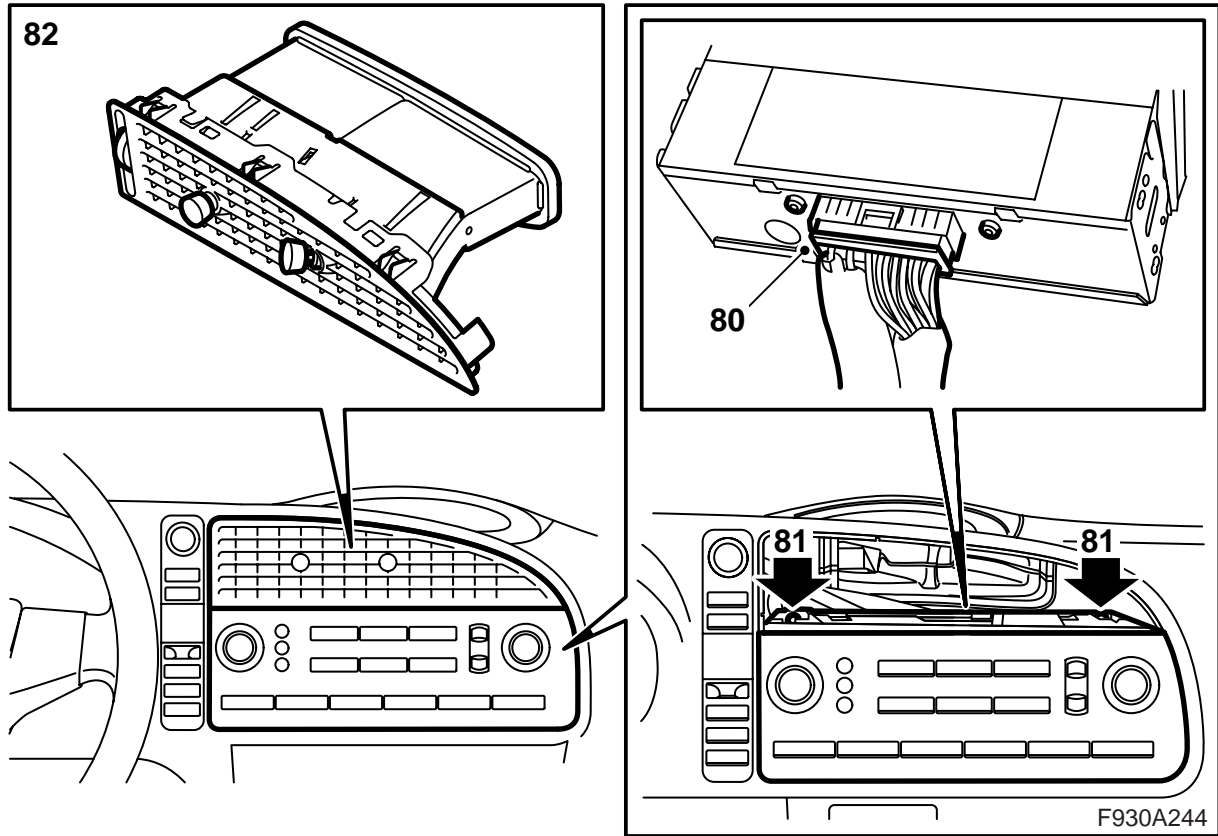


- 70 Remove the fibre optic cable connector (the small connector) from the connector for the radio main unit. Note the position of the small connector.
- 71 Remove the fibre optic cable connected to position 1 by opening the connector locking clip and carefully lifting the hook.
- 72 Remove the protective cover from the connection on the fibre optic cable which was not connected.
- 73 Fit the protective cover onto the removed fibre optic cable connection and carefully move the fibre optic cable aside in order to prevent damage, and position it behind the wiring harness.
- 74 Fit the green marked fibre optic cable (the cable that was not connected) behind the radio main unit in position 1.
- 75 Fit the small connector in the large connector in the same way as it was fitted.



F930A243

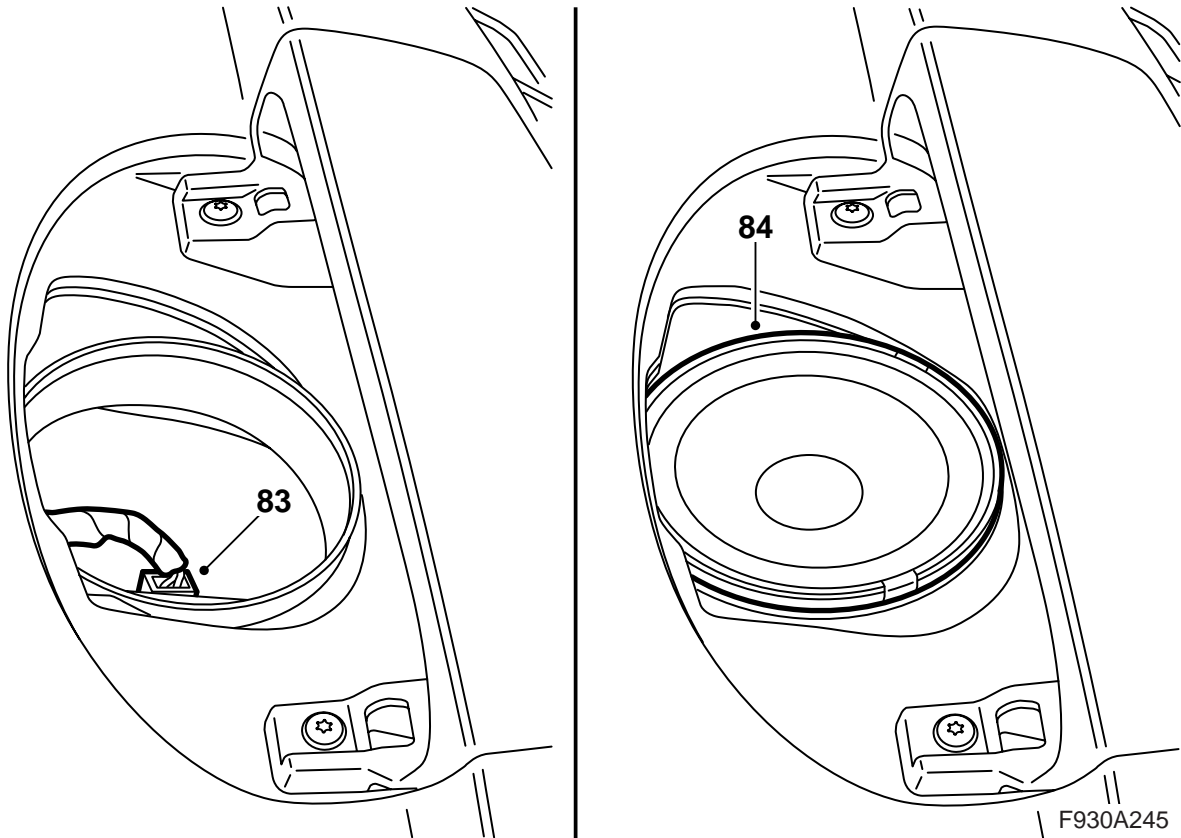
- 76 Connect the CD player/CD changer connector (if fitted) and the radio main unit.
- 77 Fit the radio main unit. A clicking sound should be heard.
- 78 **Cars without CD player/CD changer in the dashboard:** Fit the cover panel.
- 79 Connect and fit the climate control system control unit.



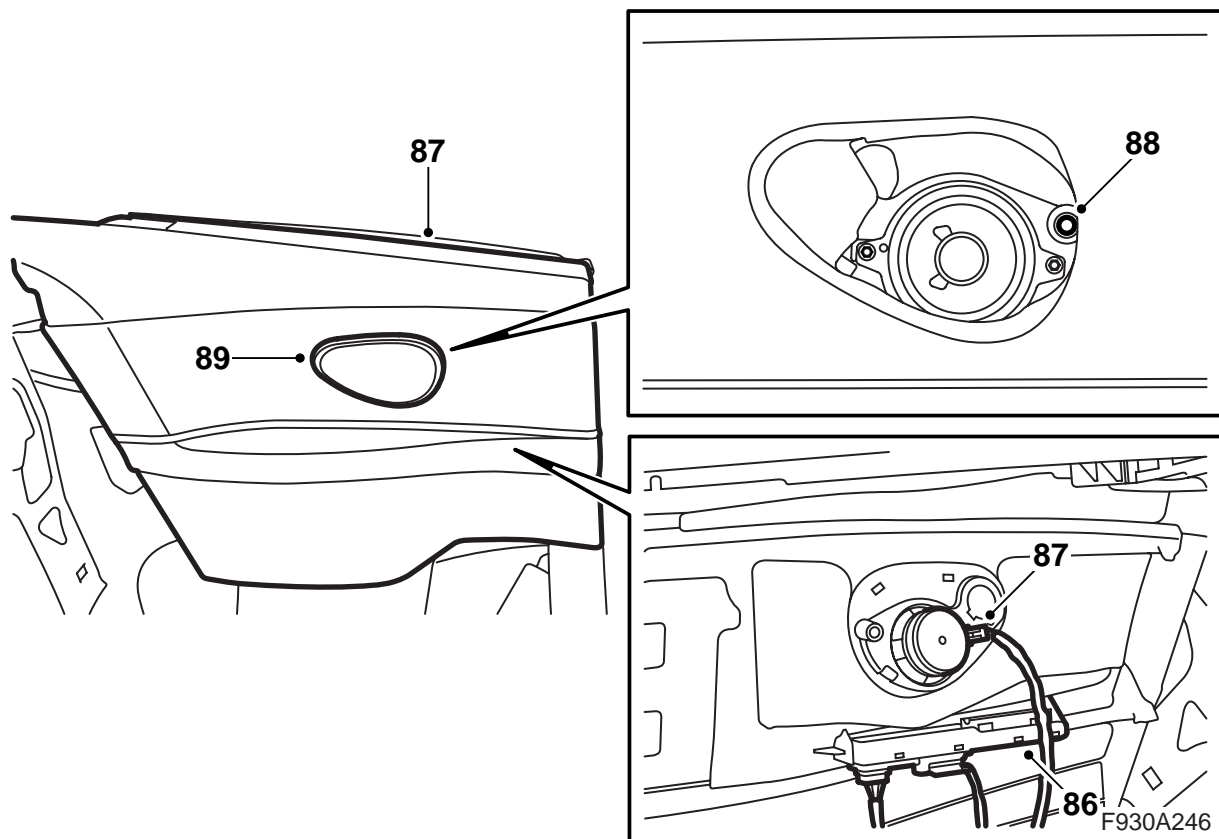
80 Connect the connector to the infotainment system control panel.

81 Fit the control panel.

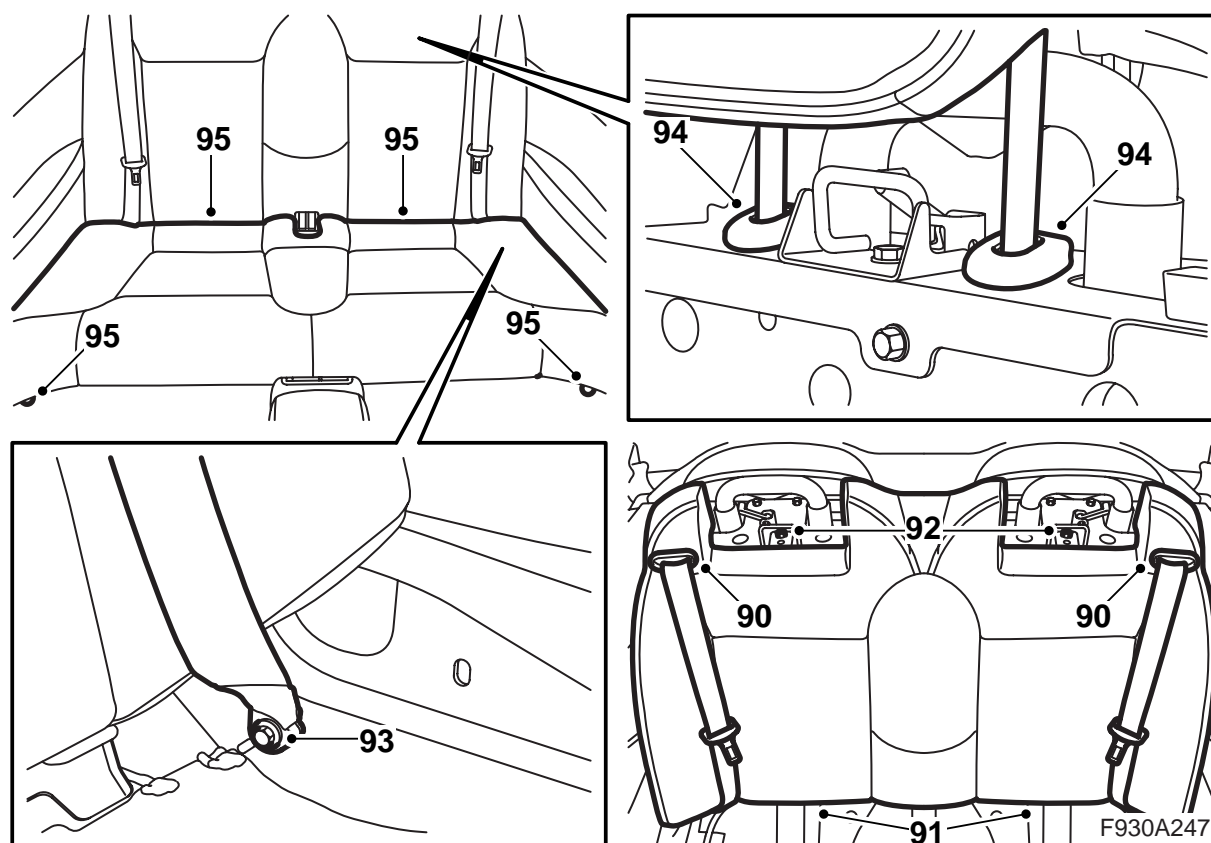
82 Position and fit the air vent.



- 83 Remove the centre speaker grille (tool 82 93 474 is recommended) and locate the wiring harness for the midrange speaker.
- 84 Connect and fit the midrange speaker.
- 85 Fit the speaker grille.



- 86 Check that the damp protection is intact and replace if necessary. Fit the control module in the side trim.
- 87 Connect the speaker connector, fit the side trim and press it down. Check that the rubber protectors are in place.
- 88 Fit the screw that holds the side trim, fold the inner lip on the door opening seal over the side trim front edge and lift the bracket on the soft top cover seal over the side trim.
- 89 Fit the speaker grille.



- 90 Guide the rear seat belts into the belt guides and fit the guides in the backrest cushion by pressing them in.
- 91 Fit the backrest cushion from above and press it down securely.
- 92 Fit the two screws for the backrest cushion upper mounting.
- 93 Fit the screws for the seat belts' lower mounting.
- 94 Fit the rear head restraints in the sleeves.
- 95 Fit the seat cushion and fit the screws in the seat cushion front edge.
- 96 Connect the negative battery cable.
- 97 Close the soft top cover.
- 98 Adjust the time and date.
- 99 Synchronise the remote control code by setting the key in the ignition.

### Important

This must be done with all keys otherwise the remote controls will not work

- 100 Activate window lift pinch protection function by operating the side windows up and down twice. An audible confirmation will sound when activation is complete.

- 101 Connect the diagnostic tool, select car and model year, select "All", select "Add/Remove", select the accessory and then "Add".

### Note

The diagnostic tool will on some occasions need to retrieve a security code in TIS. Information on what to do will be displayed on the diagnostic tool display.

- 102 Check that the system is working.