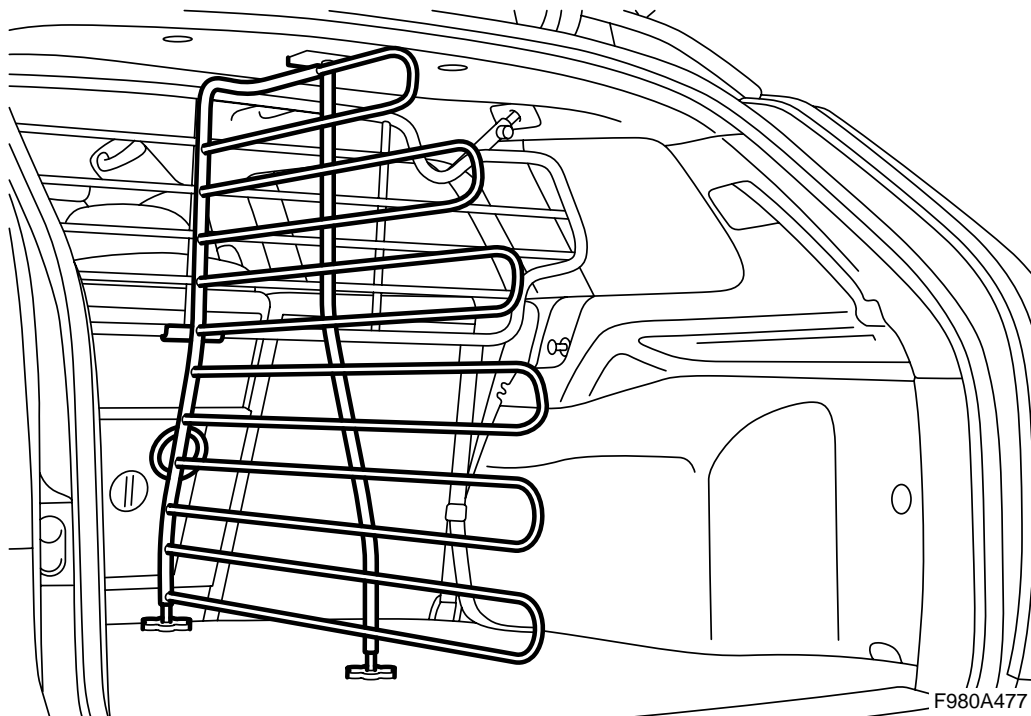


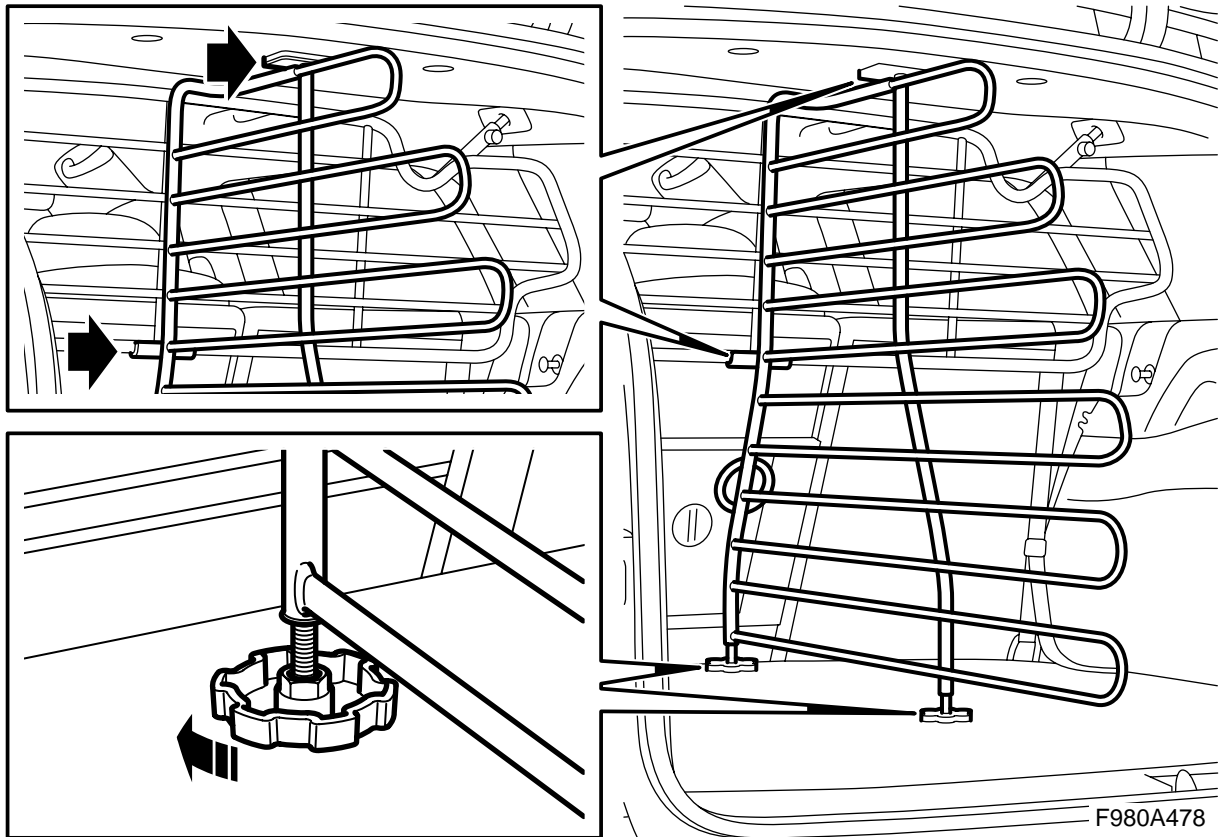


**MONTERINGSANVISNING · INSTALLATION INSTRUCTIONS
MONTAGEANLEITUNG · INSTRUCTIONS DE MONTAGE**

Luggage compartment divider

Accessories Part No.	Date	Instruction Part No.	Replaces
32 025 883	Jun 06	32 025 885	





⚠ WARNING

The cargo guard must be fitted, as the luggage compartment divider uses it as a mounting point.

Tension the luggage compartment divider securely by means of screwing down the foot plates firmly onto the luggage compartment floor.