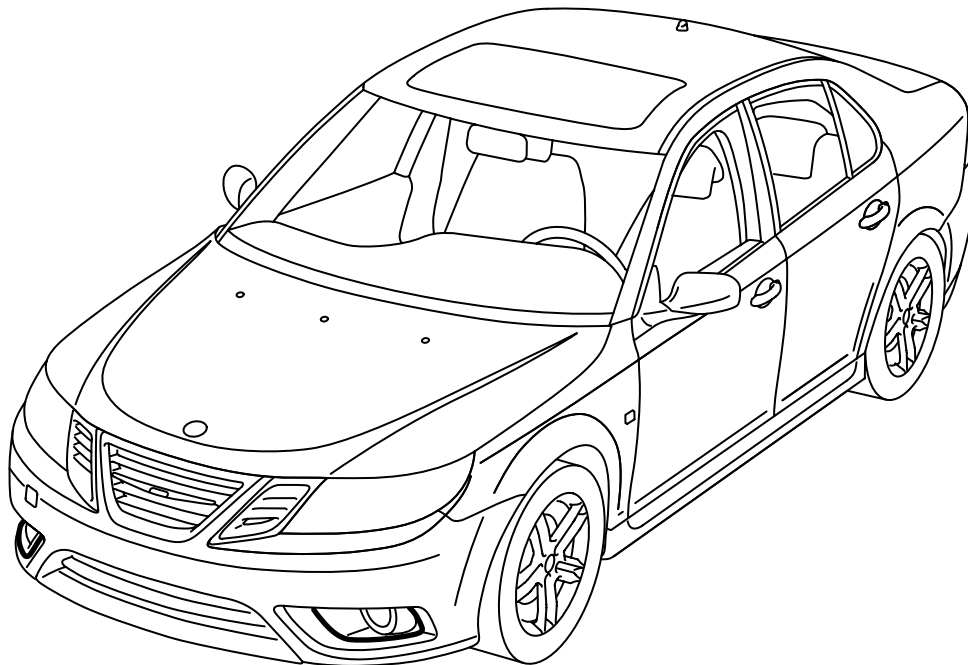




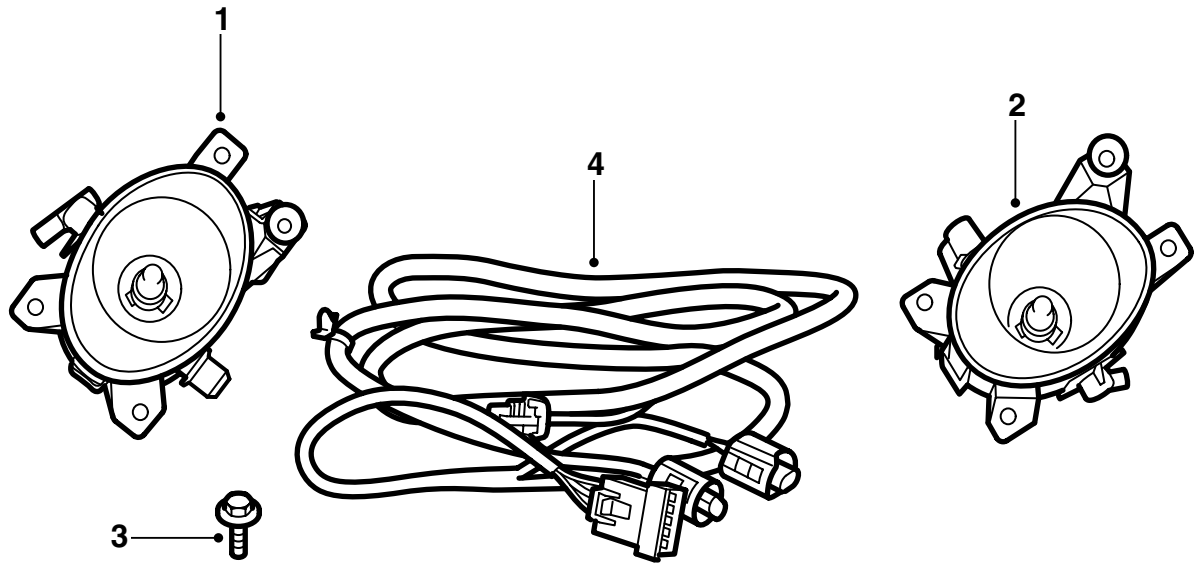
**MONTERINGSANVISNING · INSTALLATION INSTRUCTIONS
MONTAGEANLEITUNG · INSTRUCTIONS DE MONTAGE**

Fog lights

Accessories Part No.	Group	Date	Instruction Part No.	Replaces
32 026 003	9:89-34	Apr 07	32 026 141	



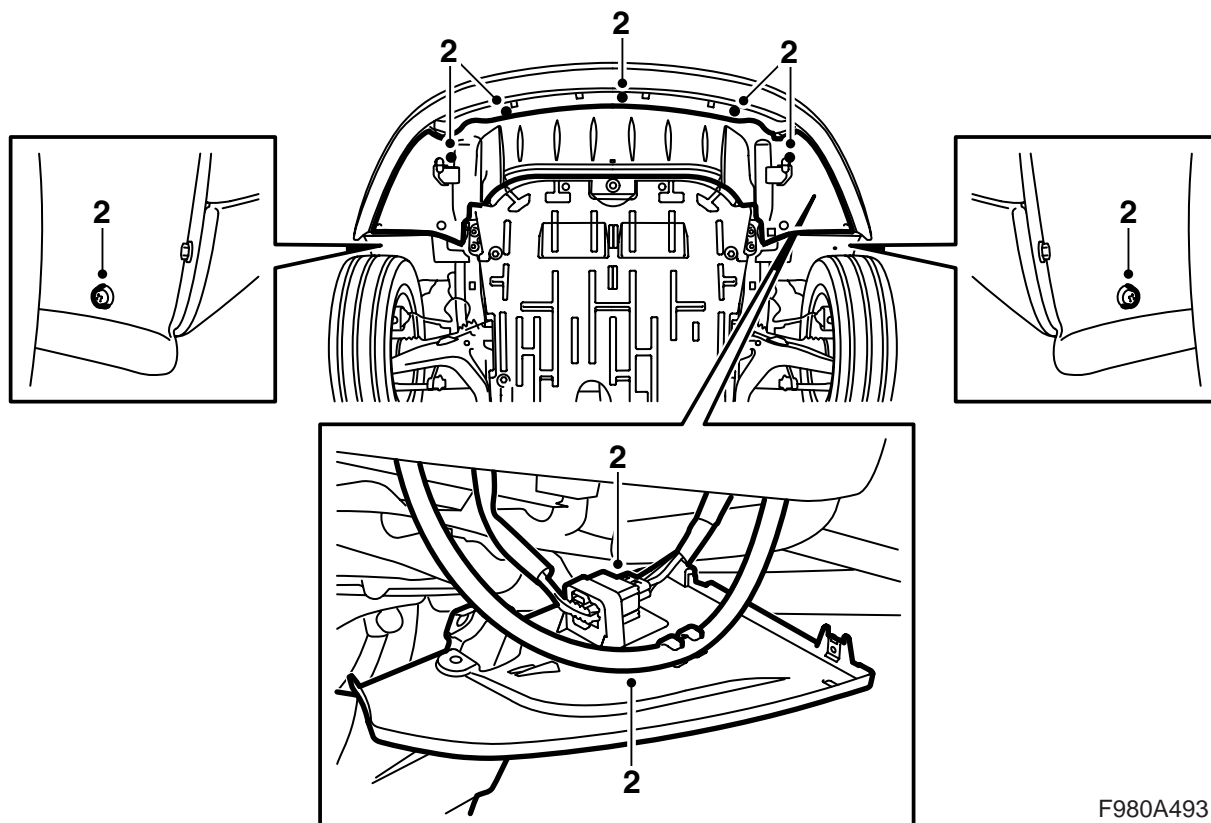
F980A491



F980A492

- 1 Fog light L
- 2 Fog light R
- 3 Screw (x6)
- 4 Wiring harness

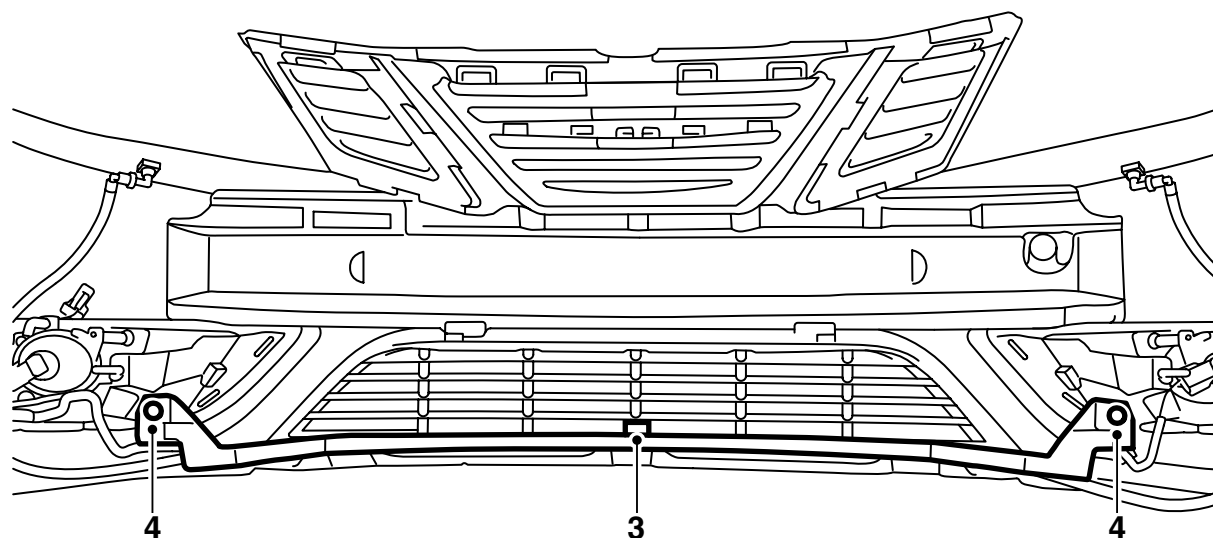
The following item is ordered separately:
Light switch position



F980A493

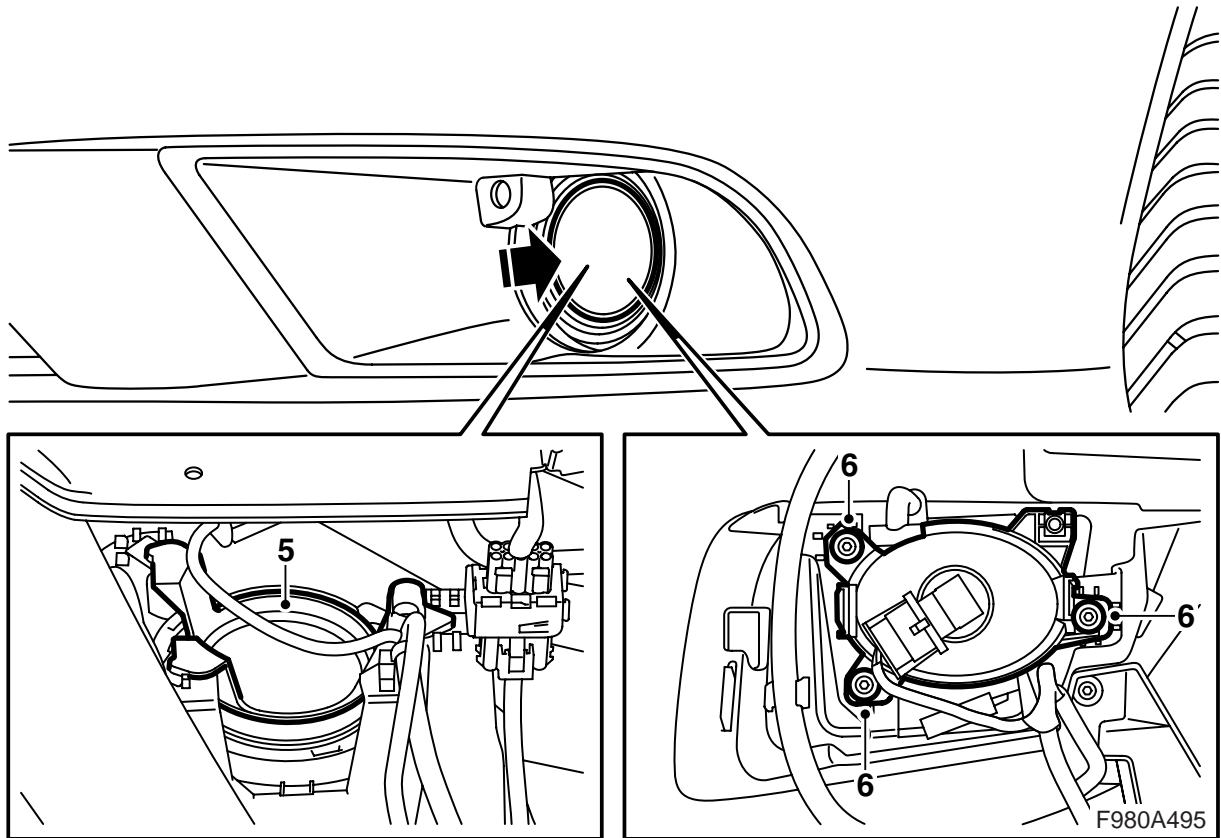
- 1 Raise the car.
- 2 Remove the spoiler shield, unplug the bumper connector and remove it from the holder on the spoiler shield.

Cars with headlamp washers: Unhook the hose from the spoiler shield.



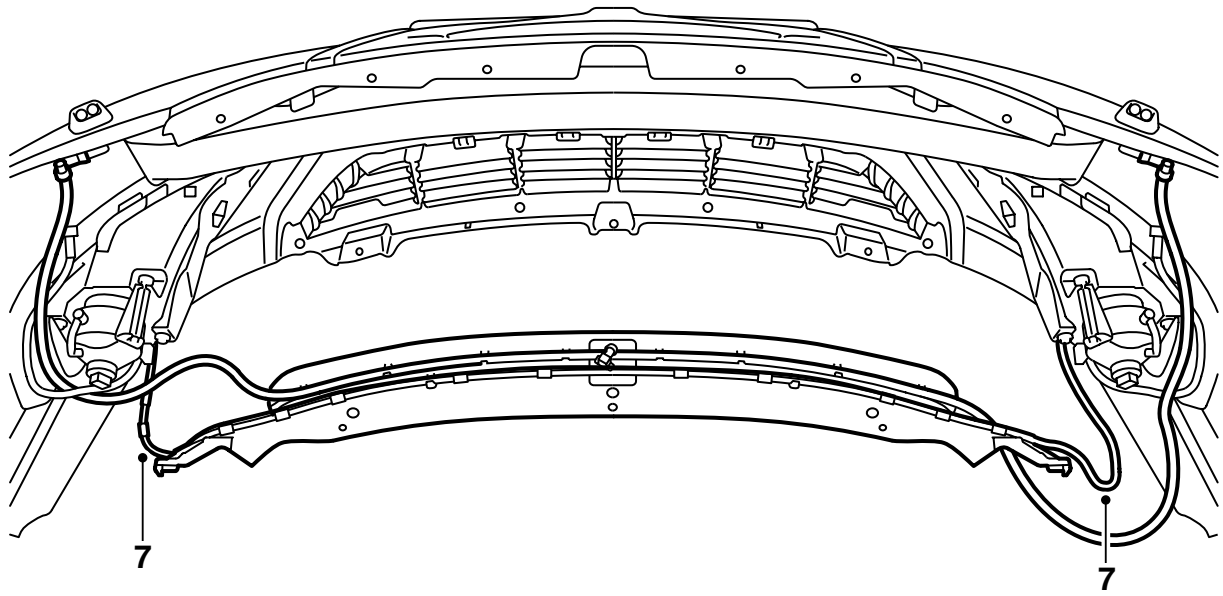
F980A494

- 3 Remove the temperature sensor.
- 4 Remove the wiring harness duct and then the wiring harness.



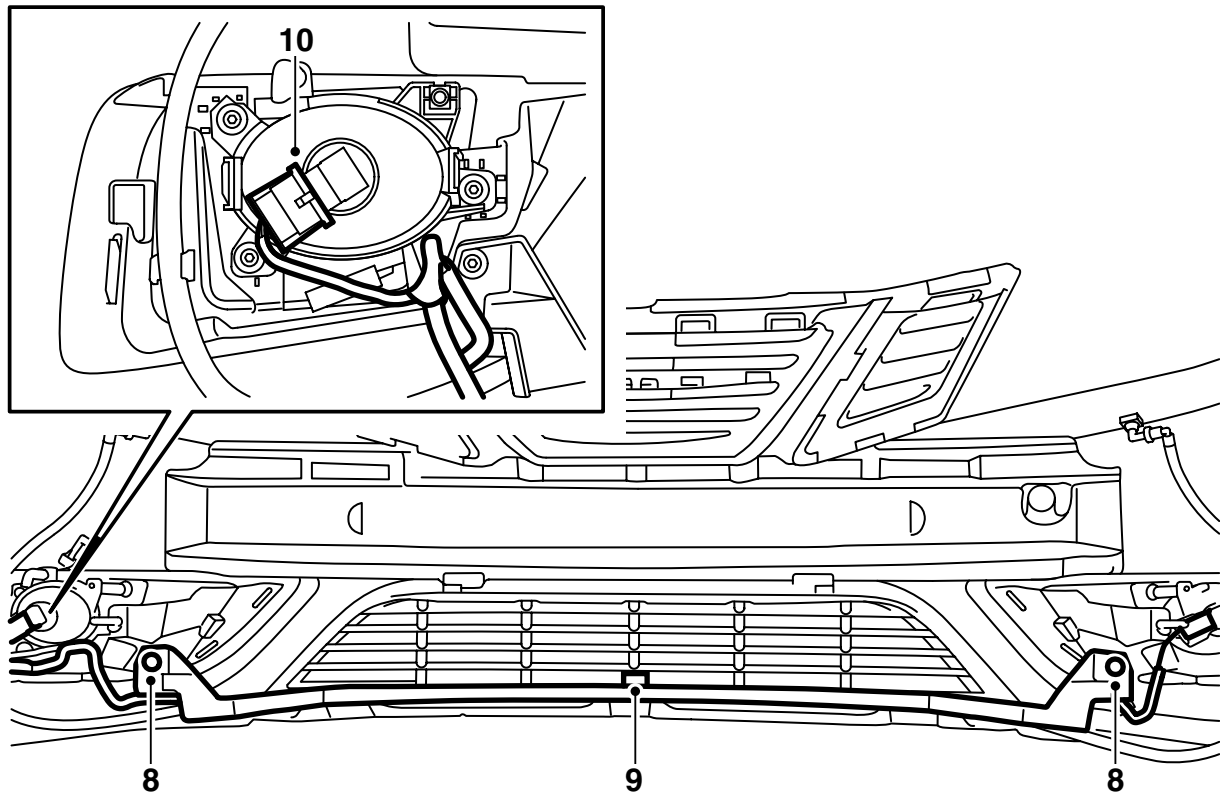
5 Remove the covers.

6 Insert the fog lights into the casing and fit the screws.



F980A497

- 7 Secure the new wiring harness in the wiring harness duct and fit the clips.



F980A501

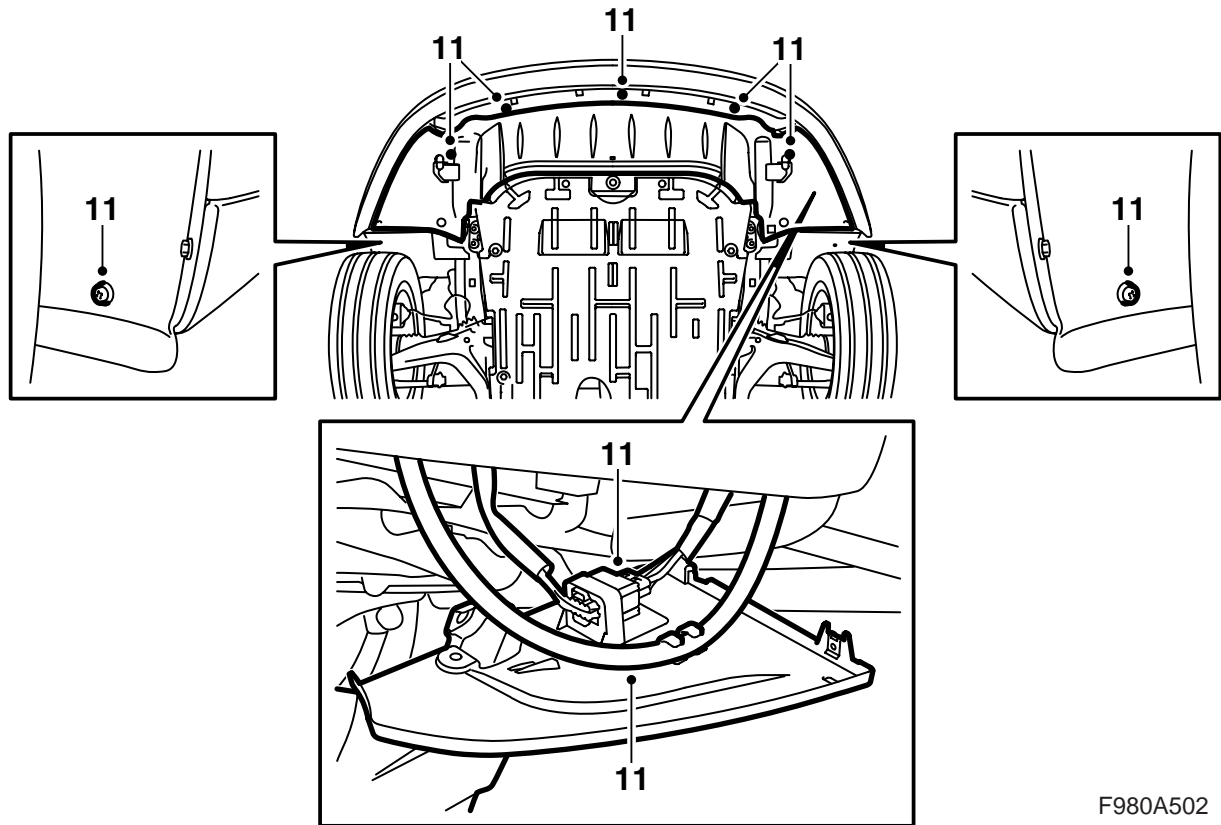
8 Fit the wiring harness duct.

⚠ WARNING

Check that the wiring harness is not pinched. Incorrect fitting can damage the wiring harness and cause a short-circuit/fire.

9 Fit the temperature sensor.

10 Plug in the connectors for the fog lights.

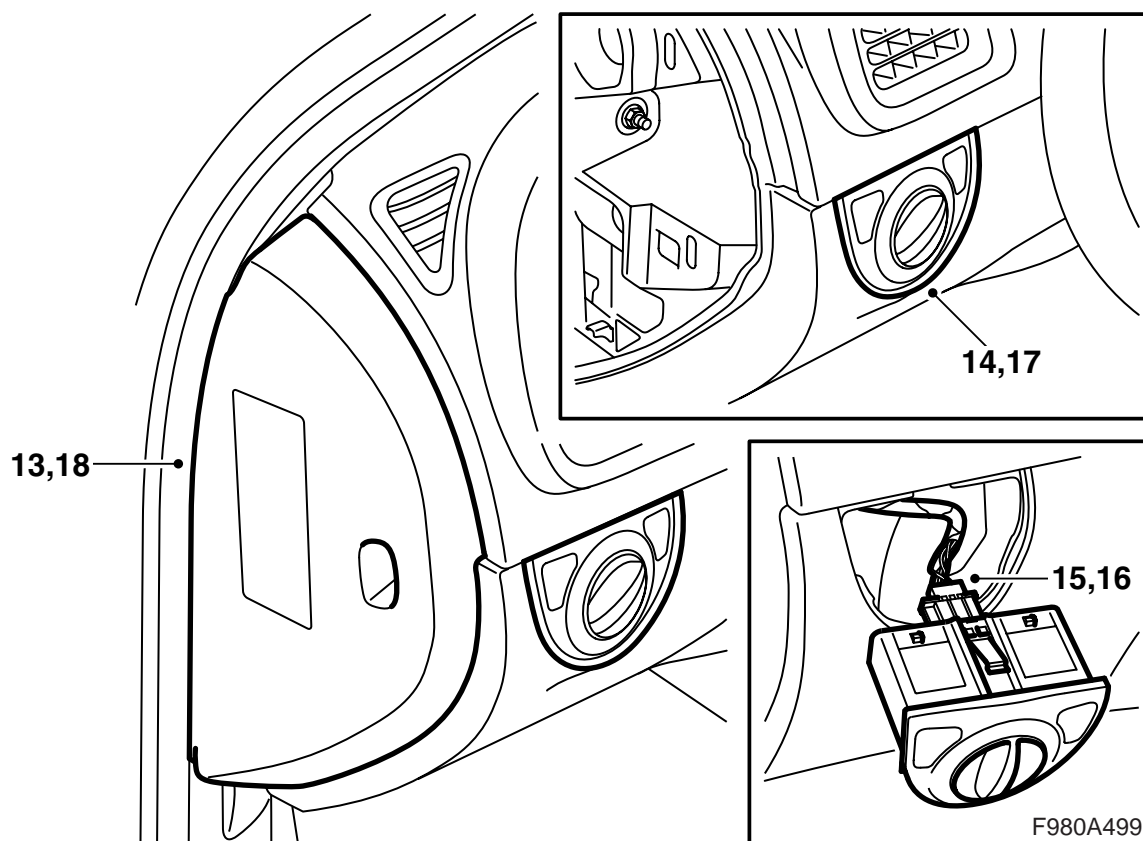


F980A502

11 Fit the spoiler shield, secure the bumper connector and fit it to the holder on the spoiler shield.

Cars with headlamp washers: Fit the hose to the spoiler shield.

12 Lower the car.



- 13 Remove the cover from the electrical centre in the dashboard.
- 14 Remove the light switch position by pressing from behind the panel.
- 15 Unplug the connector.
- 16 Plug in the connector to the new light switch position.
- 17 Press in the light switch position.
- 18 Fit the cover onto the electrical centre in the dashboard.
- 19 Connect the diagnostic tool, select car and model year, select "All", select "Add/Remove", select the accessory and then "Add".
- 20 Adjust the fog lights and check their function in accordance with the car's certification documents.

Example: In Europe, in accordance with "Whole Vehicle Type Approval", it must be possible to switch on the fog light irrespective of whether parking lamps, dipped beam or main beam are switched on. In the USA it must not be possible to switch on the fog light in combination with main beam. In addition, there are differing legal requirements in certain countries. In Sweden, for example, it is not permitted to have the fog light switched on in combination with dipped beam. Study the legal requirements in force for the country in question.

Note

The diagnostic tool will, on some occasions, need to retrieve a security code in TIS. Information on what to do will be displayed on the diagnostic tool display.