

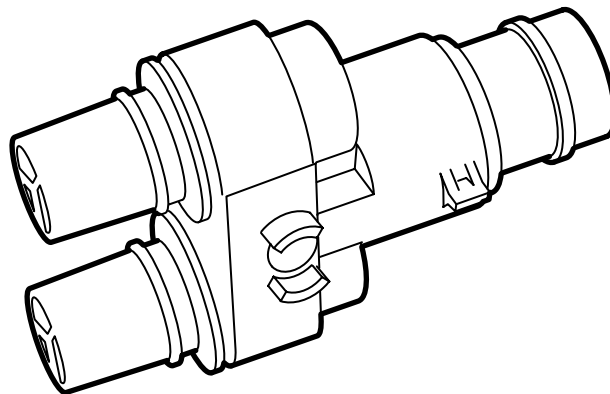


**MONTERINGSANVISNING · INSTALLATION INSTRUCTIONS
MONTAGEANLEITUNG · INSTRUCTIONS DE MONTAGE**

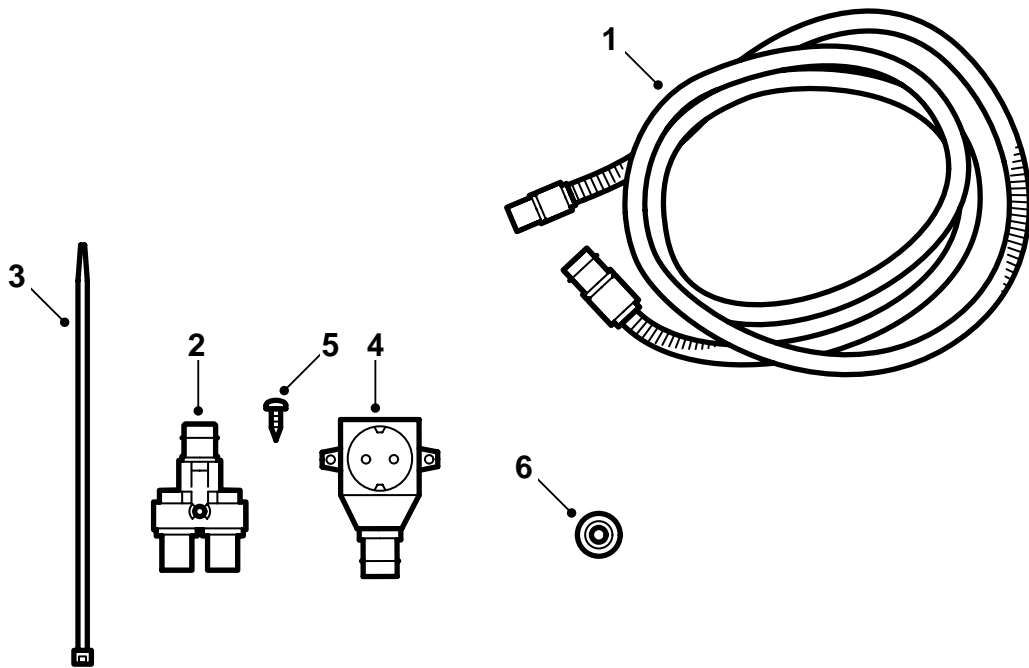
Saab 9-3, M08-

Branching kit, cars with standard front

Accessories Part No.	Date	Instruction Part No.	Replaces
32 026 192	Sep 07	32 026 199	

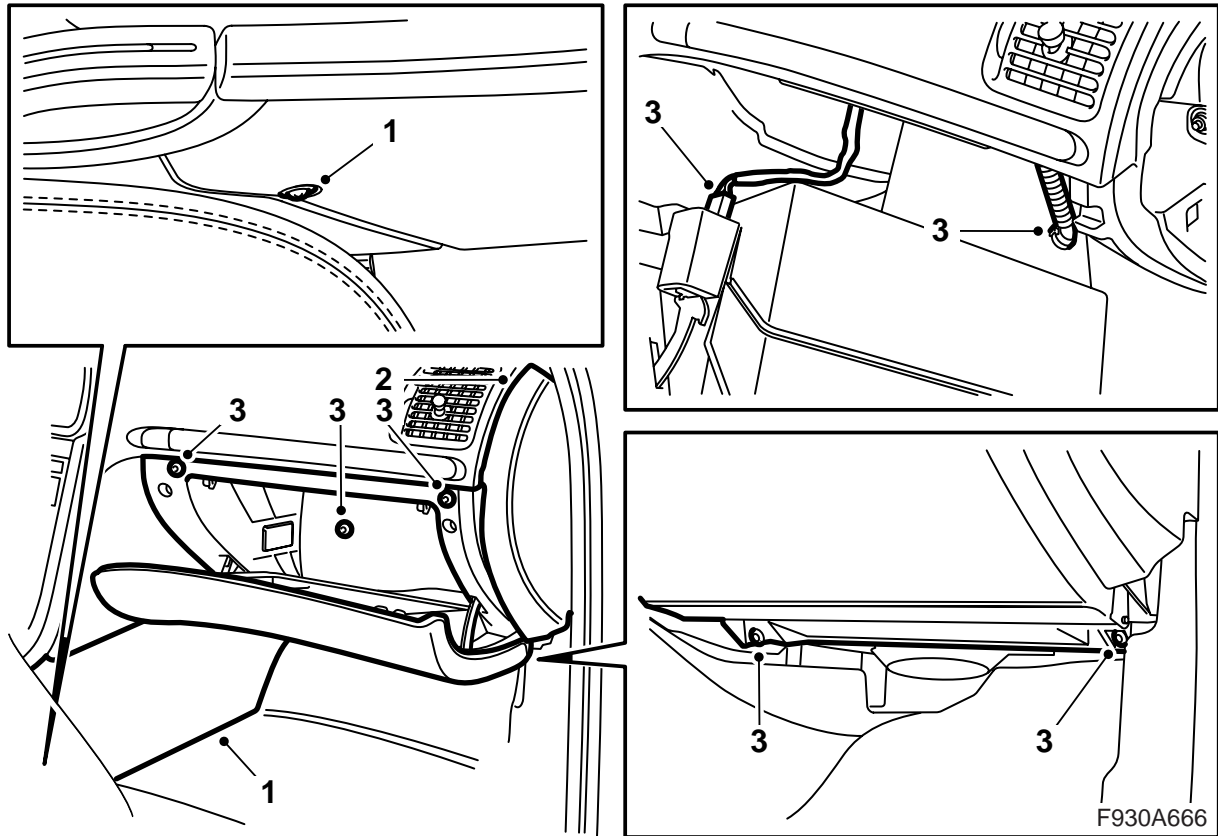


F930A665

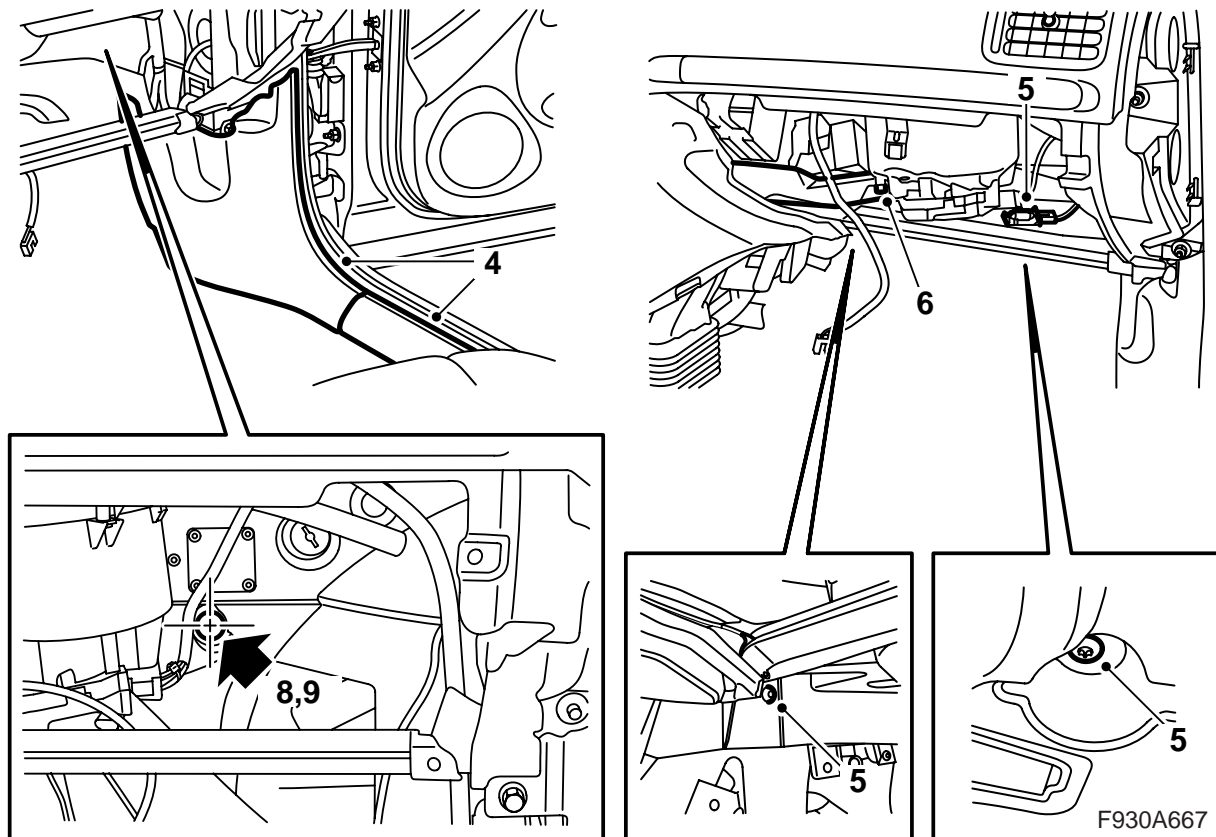


F930A019

- 1 Extension cable 3.6 m
- 2 Branch connector
- 3 Cable tie (x7)
- 4 230 V socket
- 5 Screw (x2)
- 6 Grommet



- 1 Remove the floor console side trim.
- 2 Remove the right-hand end of the dashboard.
- 3 Remove the glove box, pull it out and unplug the connector for the lighting and disconnect the cooling hose if fitted.
- 4 Remove the inner scuff plate and the A-pillar lower trim.



- 5 Unplug the floorwell lighting connector and remove the lower part of the glove box.
- 6 Remove the air duct.
- 7 Fold aside the mat, see the illustration, pos. 8.

Important

Observe great care not to fold the carpet too much. If it cracks in the foam occur, the sound insulation will be impaired considerably.

- 8 Cut out a piece of the insulation mat to see where to drill the hole in the bulkhead partition (the area is indicated by the arrow labelled "8, 9" in the illustration).
- 9 Draw a cross in the round impression on the bulkhead partition with a marker pen. Centre punch the centre of the cross.
- 10 Fold aside the wiring harness in the engine bay in the area where the hole is being made.

WARNING

Pay attention to ensure that the car's wiring harness is not damaged. Damage to the wiring harness may cause short circuits/fire.

- 11 First drill a hole equivalent to the size of the hole saw pin in accordance with the marking and then use a 22 mm hole saw.
- 12 Unplug the mass air flow sensor connector.

- 13 Remove the hose clip on the intake hose from the mass air flow sensor.
- 14 Remove the screws for the air cleaner's cover and remove the air cleaner.
- 15 Route the 3.6 m long extension cable to the cabin along the wiring harness, under the A/C pipes, along the wiring harness around the MacPherson strut tower and under the fuel pipes by the bulkhead, into the cabin through the hole drilled in the bulkhead.
- 16 From the cabin, fit the cable grommet onto the extension cable, make sure that the O-ring on the connector does not leave its position.

Important

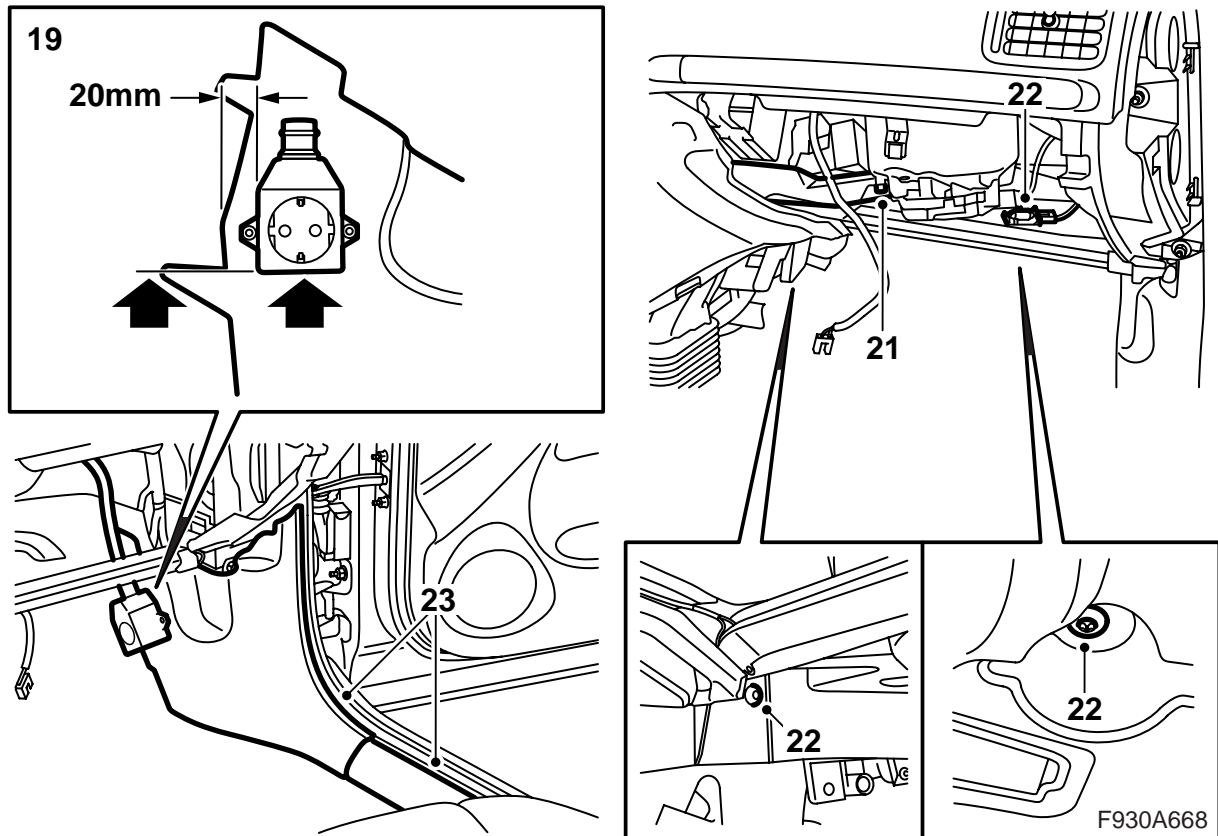
A soap solution will facilitate fitting.

- 17 Locate the cable grommet approx. 400 mm from the connector inside the car, and fit the grommet to the hole with the largest flange in the engine bay.

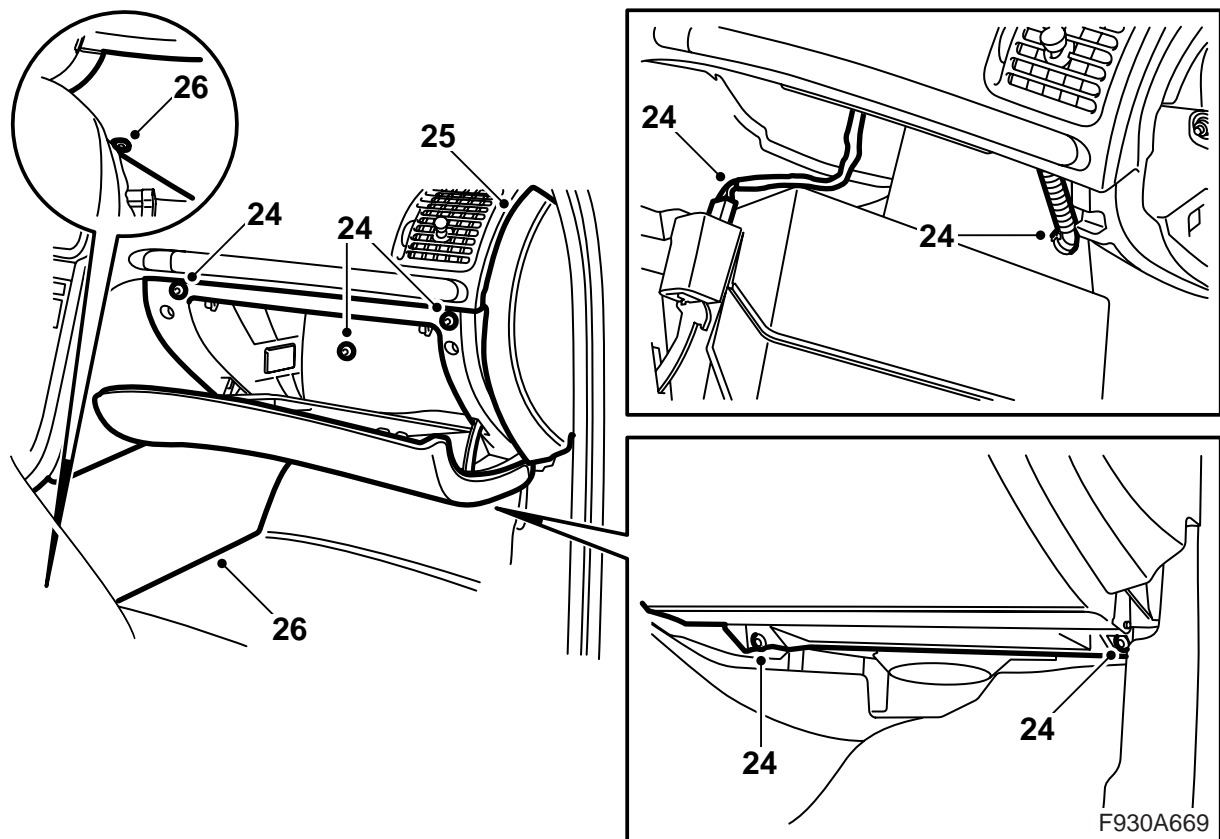
Important

Make sure the cable grommet fully seals against the bulkhead.

- 18 Fold the carpet back into place.



- 19 Mark the position for the cabin socket location on the A-pillar lower trim with the socket as template. The socket must be located 20 mm from the edge with the lower edge of the socket in line with the top edge of the lower guide pin. Drill two 3 mm holes and fit the cabin socket with the screws.
- 20 Apply non-acidic Vaseline, part no. 30 15 286, or equivalent to the extension cable O-ring and connect the cable to the socket.
- 21 Fit the air duct.
- 22 Fit the lower part of the glove box and connect the floorwell lighting.
- 23 Fit the A-pillar lower trim and the inner scuff plate.



- 24 Position the glove box, plug in the lighting connector and connect the cooling hose where appropriate. Fit the glove box.
- 25 Fit the right-hand end of the dashboard.
- 26 Fit the floor console side trim.
- 27 Secure the existing wiring harness using 1 cable tie at the bulkhead, 1 cable tie on the structural member at the wiring harness attachment point, and 1 cable tie behind the air cleaner by the A/C pipes. Secure the extension cable to the bracket on the top of the lamp housing by the radiator member under the A/C pipes using 1 cable tie.
- 28 Fit the lower section of the air cleaner and fit the hose to the intake.
- 29 Fit the hose clip to the intake hose from the mass air flow sensor and fit the air cleaner's cover.
- 30 Plug in the mass air flow sensor connector.
- 31 Route the extension cable under the radiator member and secure with 1 cable tie in the right-hand key-shaped hole to the radiator member, and secure with 1 cable tie in the left-hand key-shaped hole.
Lower the end of the extension cable in front of the battery tray, behind the H24-1 connector.
- 32 Raise the car.
- 33 Remove the 3 screws to the left-hand section of the spoiler shield and fold it down.
- 34 Remove the retaining clip and separate the joint on the block heater's wiring.

- 35 Route the extension cable in front of the sub-frame's left-hand bush. Apply non-acidic Vaseline, part no. 30 15 286, or equivalent to the connectors' O-rings.

Fit the branching extension cable to the outer connection on the branch connector (B) in order to obtain a good loop, fit the retaining clip. A click can be heard when the retaining clip has been correctly fitted. Connect the block heater's wiring to the branch connector and fit the retaining clip. A click can be heard when the retaining clip has been correctly fitted. Connect the power socket's wiring to the branch connector and fit the retaining clip. A click can be heard when the retaining clip has been correctly fitted.

⚠ WARNING

Check that the wiring harness is not pinched. Incorrect fitting can damage the wiring harness and cause short circuits/fire.

- 36 Fit the left-hand section of the spoiler shield using the 3 screws.
- 37 Lower the car.
- 38 Plug the engine block heater into a wall socket and check that the heater starts. Unplug the connection to the wall socket.

User instructions

- The extension cable must be a rubber cable, resistant to oil and approved for outdoor use with an area of at least 3x1.5 mm².
- The heater system must only be connected to a grounded socket.

 **WARNING**

Treat all cables with caution. Watch out for damage caused by jamming the cable between the hood (bonnet) and the car body, and for cuts caused by sharp metal objects.

Check the ground connection between the connecting cable ground pin, the heater casing and the car body regularly to prevent electric shocks.

- Inspect the extension cable regularly for damage and ageing. A damaged cable must be replaced immediately.

Note

The function of the heater can be at risk if:

- the coolant is polluted
- the coolant level is too low or if there is air in the system
- ice sludge is present in the system
- radiator cement is used