

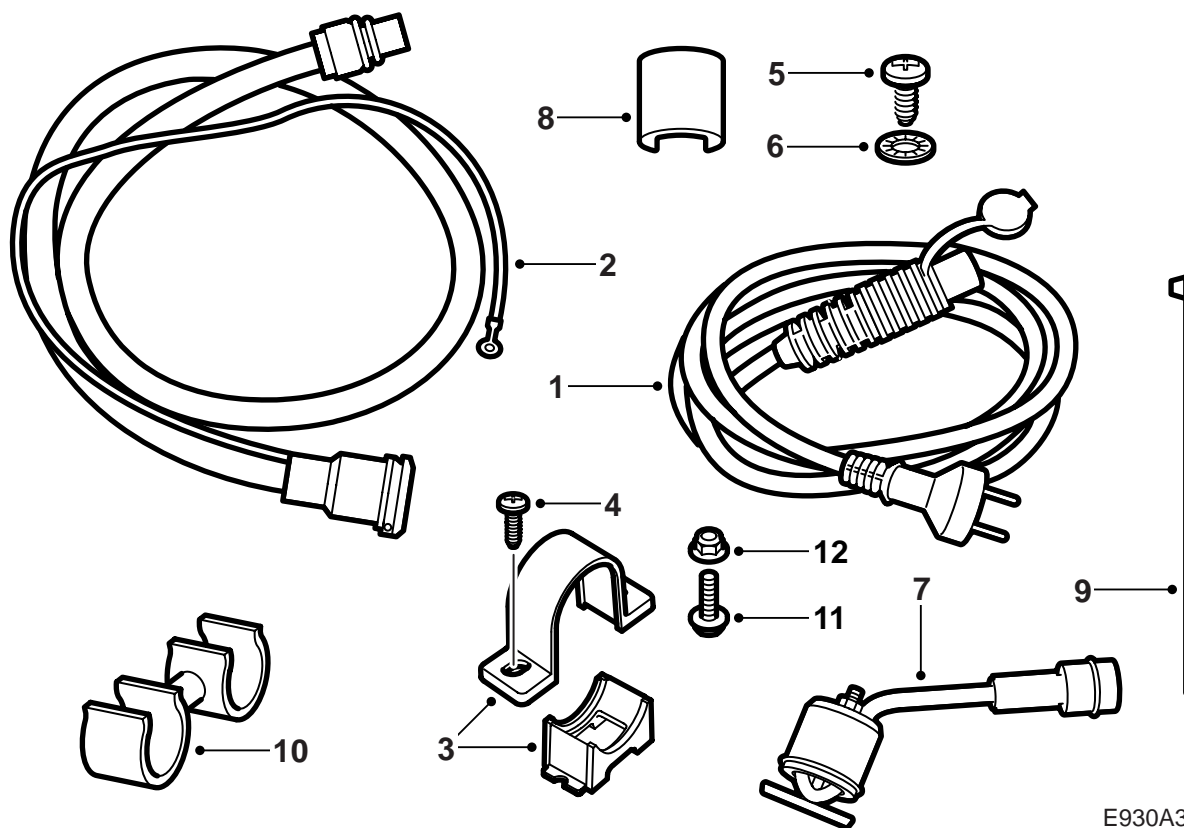


**MONTERINGSANVISNING · INSTALLATION INSTRUCTIONS  
MONTAGEANLEITUNG · INSTRUCTIONS DE MONTAGE**

## Saab 9-5 B205, B235

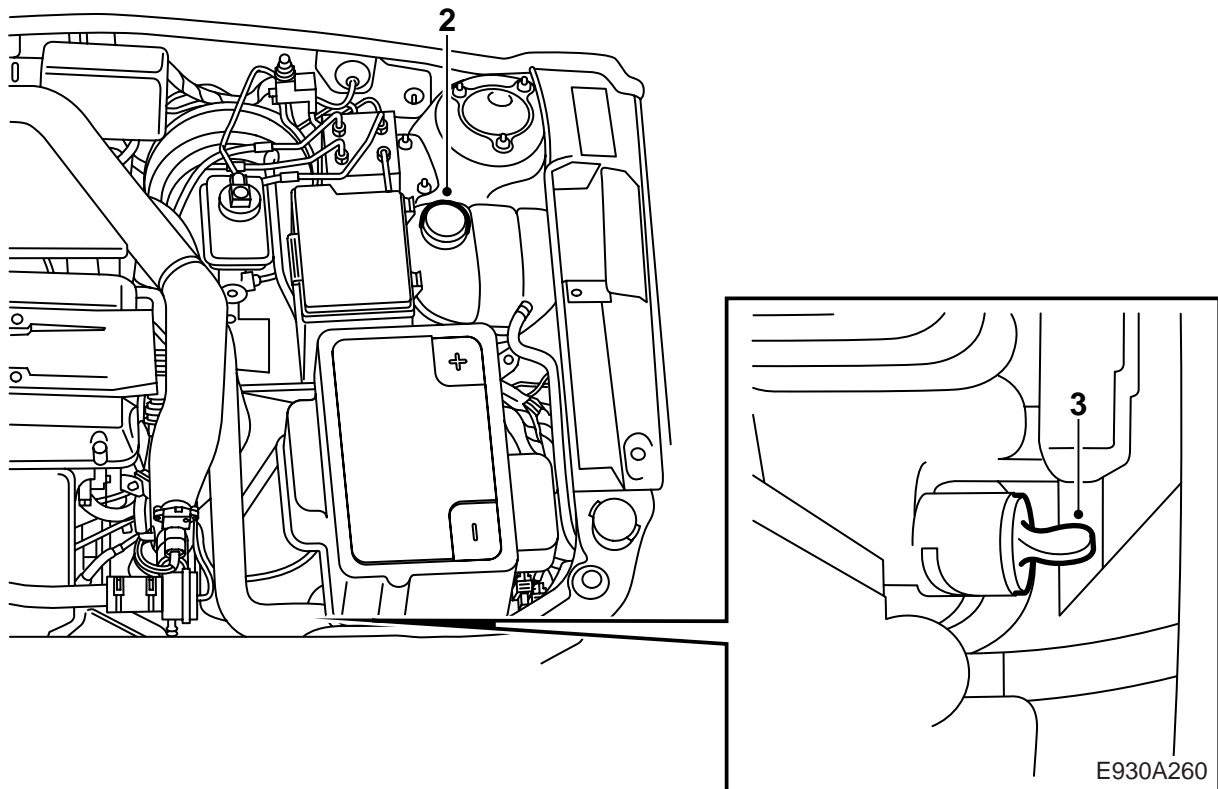
### Parking heater

Accessories Part No.	Group	Date	Instruction Part No.	Replaces
32 025 650 32 026 240	9:87-31	Oct 07	53 29 271	53 29 271 Sep 05



E930A393

- 1 Extension cable
- 2 Connector plug and connector cable
- 3 Holder
- 4 Screw (x2) -M05
- 5 Screw
- 6 Star washer
- 7 Heating element
- 8 Locking clip
- 9 Cable tie (x5)
- 10 Clips
- 11 Screw (x2) M06-
- 12 Nut (x2) M06-

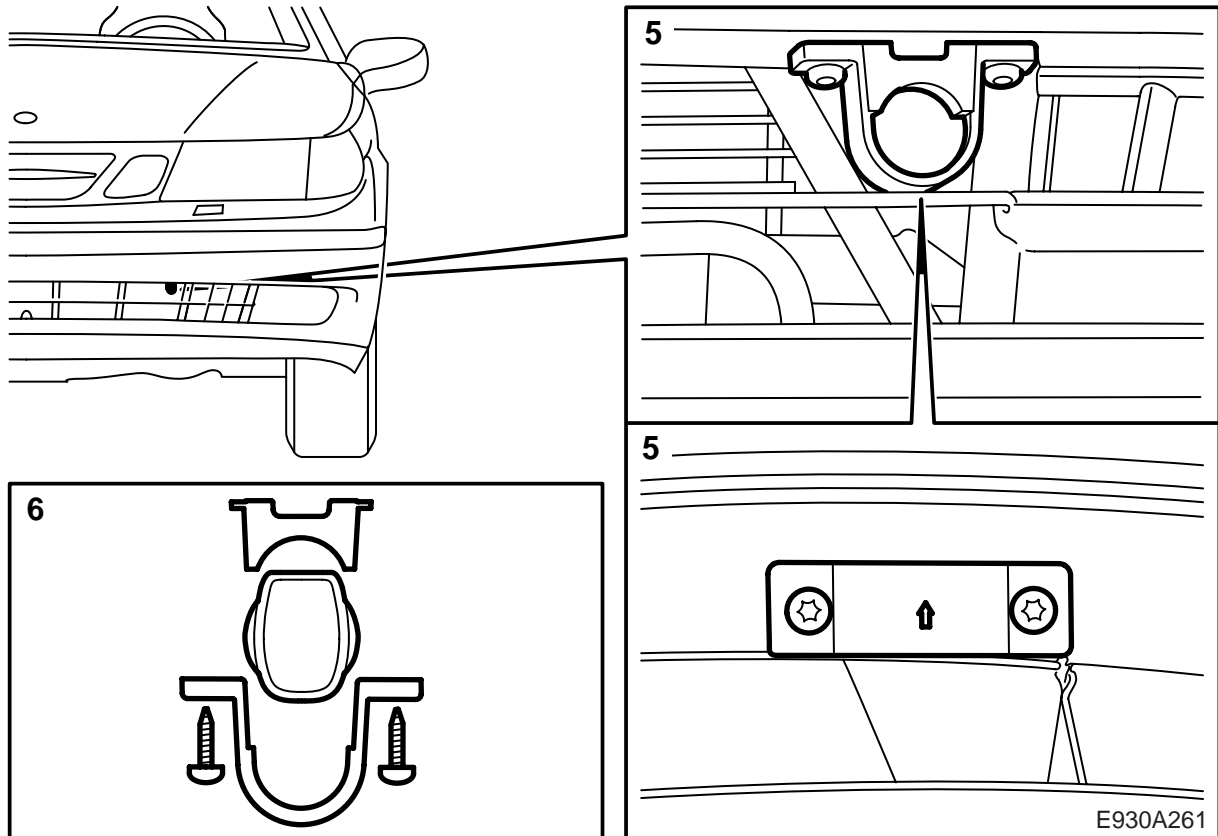


- 1 Read fully through the installation instructions and check that all the parts are present in the kit.
- 2 Lay covers on the wings and remove the cap on the coolant system expansions tank.

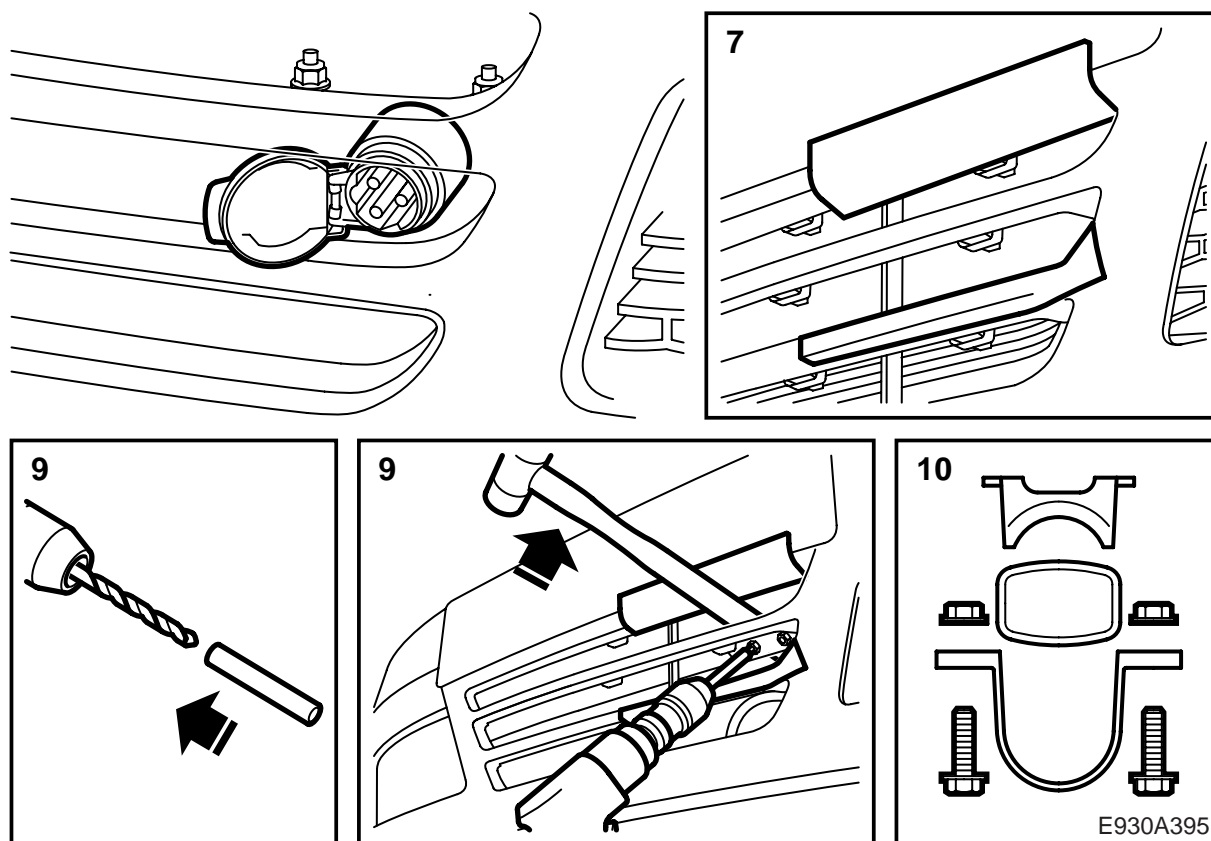
 **WARNING**

Take care if the engine is hot. The coolant will also be hot. You could get burnt if you brush against the exhaust manifold.

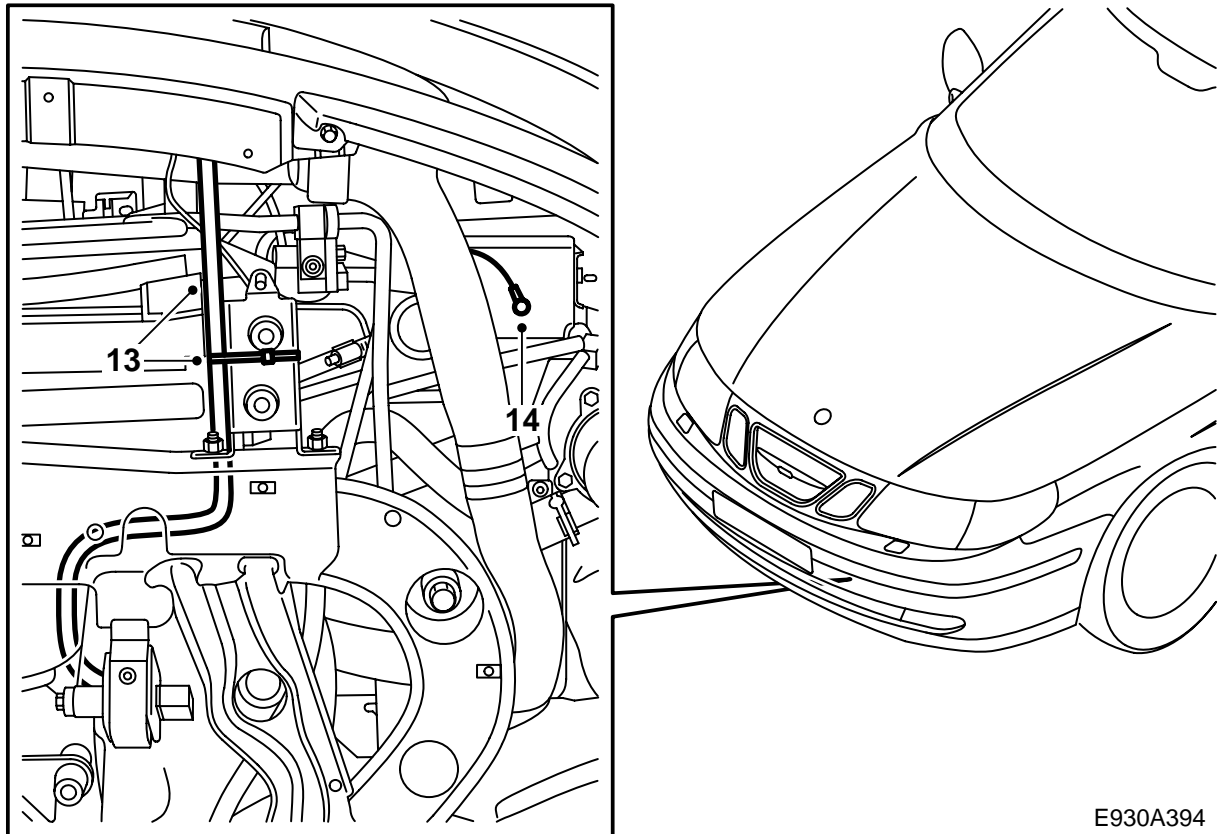
- 3 Raise the car. Use a receptacle to collect the coolant. Remove the air shield behind the bumper, connect a hose, open the drain plug and drain the coolant.
- 4 Lower the car to a suitable working height for fitting the connector plug to the bumper shell.



- 5 **-M05:** Mark out the location for the holder for the supply connector plug. The arrow on the holder should point forwards. Make holes with a bradawl.
- 6 **-M05:** Place the supply connector plug in the holder so that the cover opens upwards. Fit the holder to the bumper.
- Proceed to step 12.

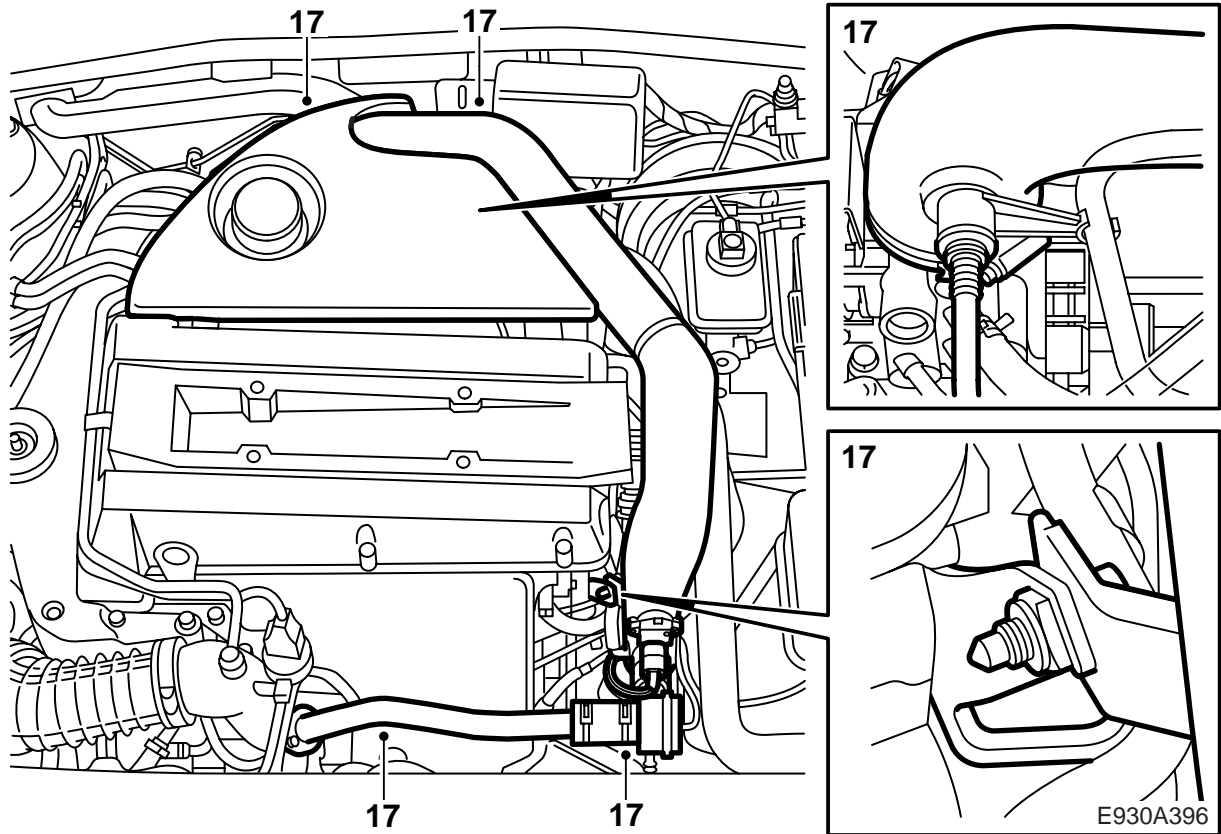


- 7 **M06-**: Tape the spoiler using woven tape for example to prevent damage to the paintwork.
- 8 **M06-**: Mark out the location for the holder for the supply connector plug using a bradawl on the rib, see illustration. The arrow on the holder should point forwards.
- 9 **M06-**: Drill two 6 mm holes in the rib. Bend the rib down using a hammer handle for example in order to facilitate access. Fit a plastic hose to the drill to prevent damage to the paintwork.
- 10 **M06-**: Position the supply connector plug in the holder and secure it with screw and nut. The cover must open towards the number plate.
- 11 **M06-**: Remove the tape.

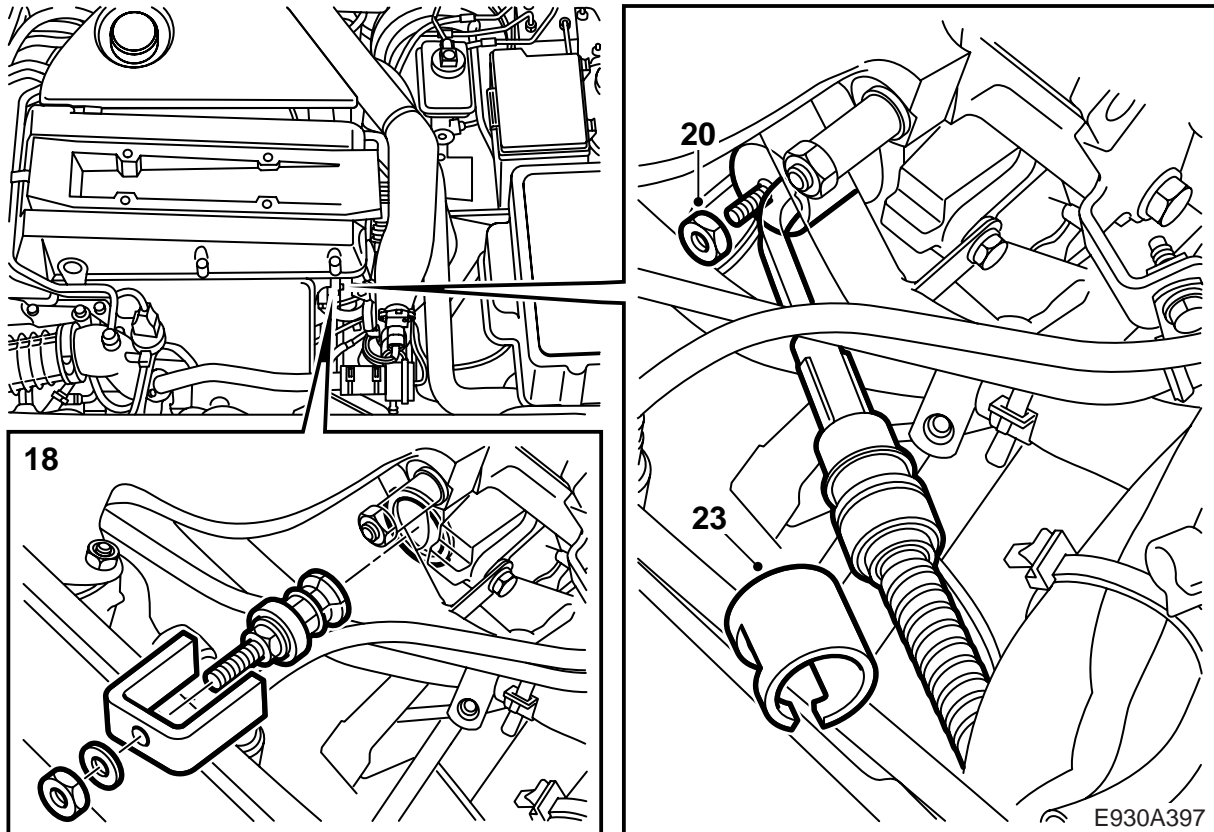


E930A394

- 12 Raise the car and close the drain plug.
- 13 Insert the supply connector cable between the radiator and the subframe. Locate the cable connection on top of the gearbox.
- 14 Drill a 3.5 mm diameter hole for the ground cable in the underside of the left-hand structural member.
- 15 Scrape off any paint to ensure a good ground connection and secure the ground cable with a screw and lock washer (place the lock washer between the ground cable terminal and the body). Apply light anti-corrosion agent, part no. 30 15 971. Secure the ground cable along the supply cable.
- 16 Fit the air shield and lower the car.



- 17 Remove the engine cover and disconnect any hoses and electrical connections from the turbocharger delivery pipe. Remove the turbocharger delivery pipe between the charge air cooler and the throttle body, including the bypass pipe and the heat shield over the exhaust manifold. Plug the holes.



- 18 If necessary, disconnect the cable to the lower oxygen sensor and remove the frost plug using tool 260 147 020. Use, for example, a 17 mm socket.
- 19 Apply acid-free petroleum jelly, part no. 30 06 665, or equivalent, to the heating element O-ring.
- 20 Fit the heating element so that the electrical connection is directed towards the left-hand side of the car and the connection is between the coolant pipes and under the turbocharger coolant pipe. Do not tighten the nut holding the heating element.
- 21 Adjust the position of the heating element so that it is free from contact with the coolant pipes. Tighten the nut.

**Tightening torque 3.5 Nm (2.5 lbf ft)**

Connect and secure the cable to the lower oxygen sensor.

- 22 Apply acid-free petroleum jelly, part no. 30 15 286 or equivalent, to the O-ring on the supply connector cable and connect the cable to the heating element.
- 23 Fit the lock clip over the connection. A click should be heard when the lock clip is fitted correctly.

- 24 **Aut:** Secure the supply connector cable to the lower cable by the battery tray with the clips included in the kit.

**Man:** Secure the supply connector cable to the left-hand structural member with a strap.

**⚠ WARNING**

Make sure that the cable does not make contact with sharp edges or hot surfaces. Be aware of the turbo unit. Scrapes and heat damage can cause a short-circuit.

- 25 Check the ground connection between the ground pin on the connector plug, the heater casing and the car body.
- 26 Fit the heat shield, lubricate the bypass pipe O-ring with acid-free petroleum jelly and fit the turbocharger delivery pipe, including the bypass pipe. Connect the vacuum hose to the bypass pipe and the hoses and connector to the turbocharger delivery pipe. Fit the engine cover.
- 27 Fill up with coolant and check the system for leaks.
- 28 Bleed the cooling system in the following way:

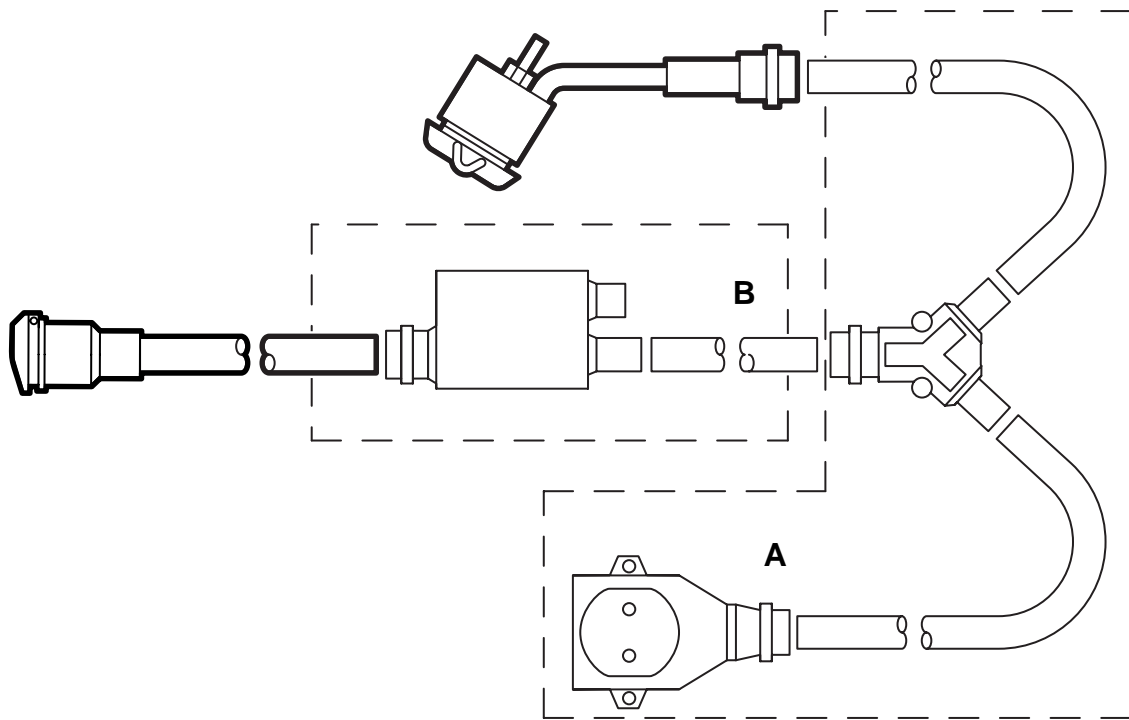
### Note

The A/C or ACC should be turned OFF.

Fill the coolant system to the MAX level. Close the expansion tank cap. Start the engine and run to operating temperature at varying engine speeds until the radiator fan cuts in. Carefully open the expansion tank cap and top up to the MAX level. Close the cap. Switch off the engine and if necessary top the coolant up to the MAX level.

- 29 Check that the cooling system does not leak and that the heater works.
- 30 Place the installation instructions in the car and draw the customer's attention to the user instructions.





E930A073

- A Branch cable set
- B Timer kit

### User instructions

- The extension cable must be made of oil-resistant rubber and approved for outdoor use with a cross-sectional area of at least 3x1.5 mm<sup>2</sup>.
- The engine heater must be connected to a grounded outlet only.
- Handle all cables with care. Pay particular attention to the risk of pinching between the bonnet and the body of the car and the risk of cuts on sharp metal components.



#### **WARNING**

Check regularly the ground connection between the ground pin in the connector plug, the heater casing and the car body.

- Inspect regularly the extension cable for damage or ageing. Damaged cables must be renewed immediately.

#### **Note**

The function of the heater will be at risk if:

- there are impurities in the coolant
- the coolant level is too low or if there is air in the system
- there is ice slush in the system
- radiator sealant is used