



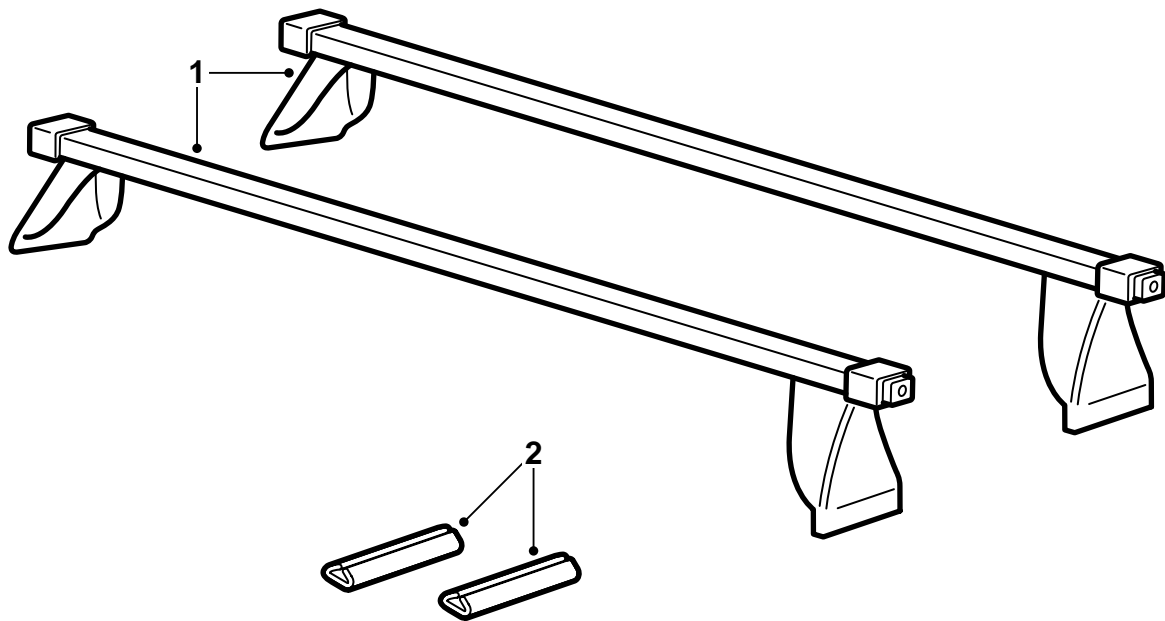
**SAAB**

**MONTERINGSANVISNING · INSTALLATION INSTRUCTIONS  
MONTAGEANLEITUNG · INSTALLATIONS DE MONTAGE**

## Saab 900 M94-, Saab 9000 M85-, Saab 9-3

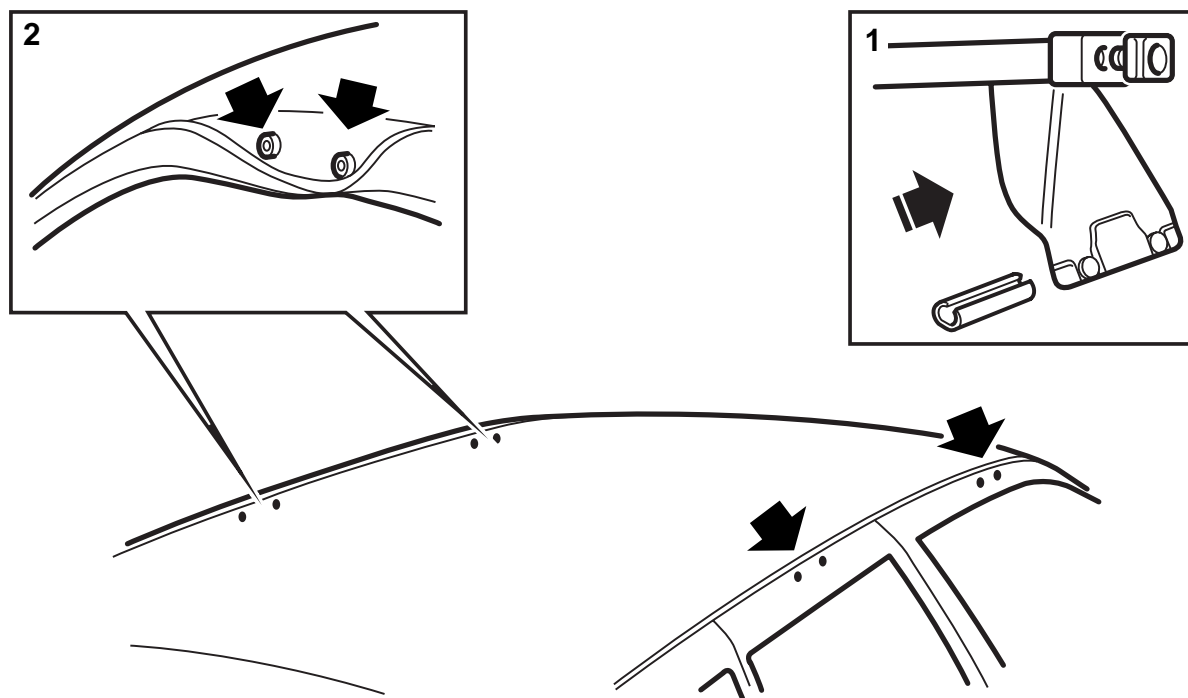
### Roof bars

Accessories Part No.	Group	Date	Instruction Part No.	Replaces
400 100 392 400 100 400 400 100 384	8:91-8	Oct 98	86 77 056	75 01 25 Feb 93



D980A114

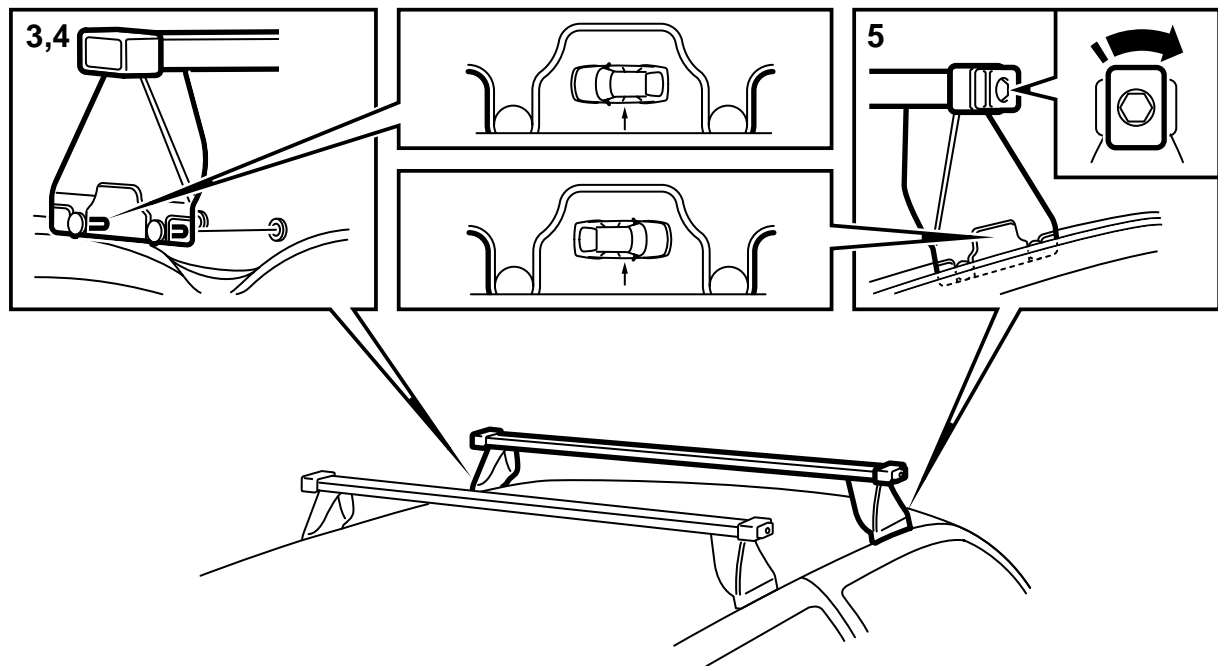
- 1 Roof bars (2x)
- 2 Plastic protectors (2x)



D980A115

**Saab 900 5D, 9000, 9-3 5D**

- 1 Mount the plastic protectors on the adjustable supports (the side with the tightening knob), to protect the paintwork while fitting the roof bars.
- 2 Open all the car doors.  
Bend the rubber strip out of the way and locate the fixing holes in the side of the roof.



D980A116

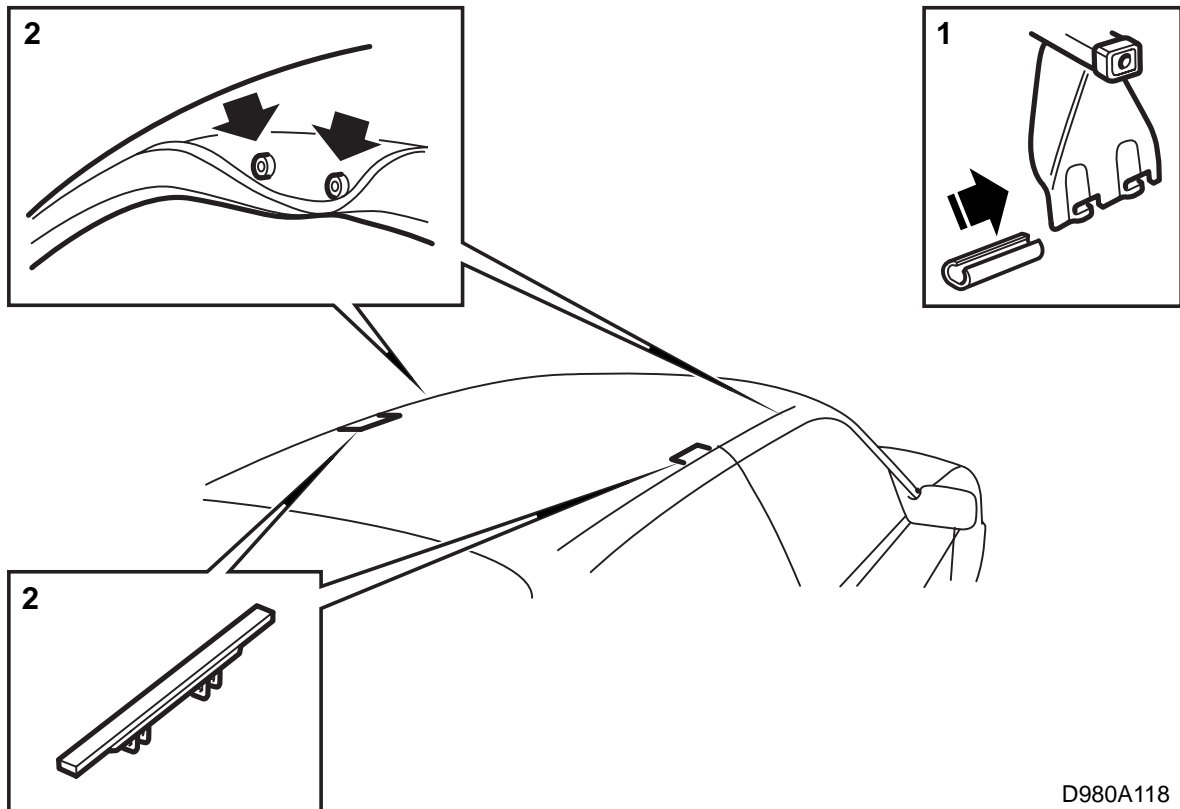
- 3 Carefully position the roof bars on the roof with the fixed support towards you. Keep the support off the roof so that the paintwork is not damaged.
- Bend the rubber strip out of the way and insert the pins on the fixed support into the fixing holes.

### Important

The roof bars for the Saab 900 and 9-3 are marked with an illustration showing the location of the supports on the roof, see illustration.

Carefully close the doors on this side to secure the supports in place.

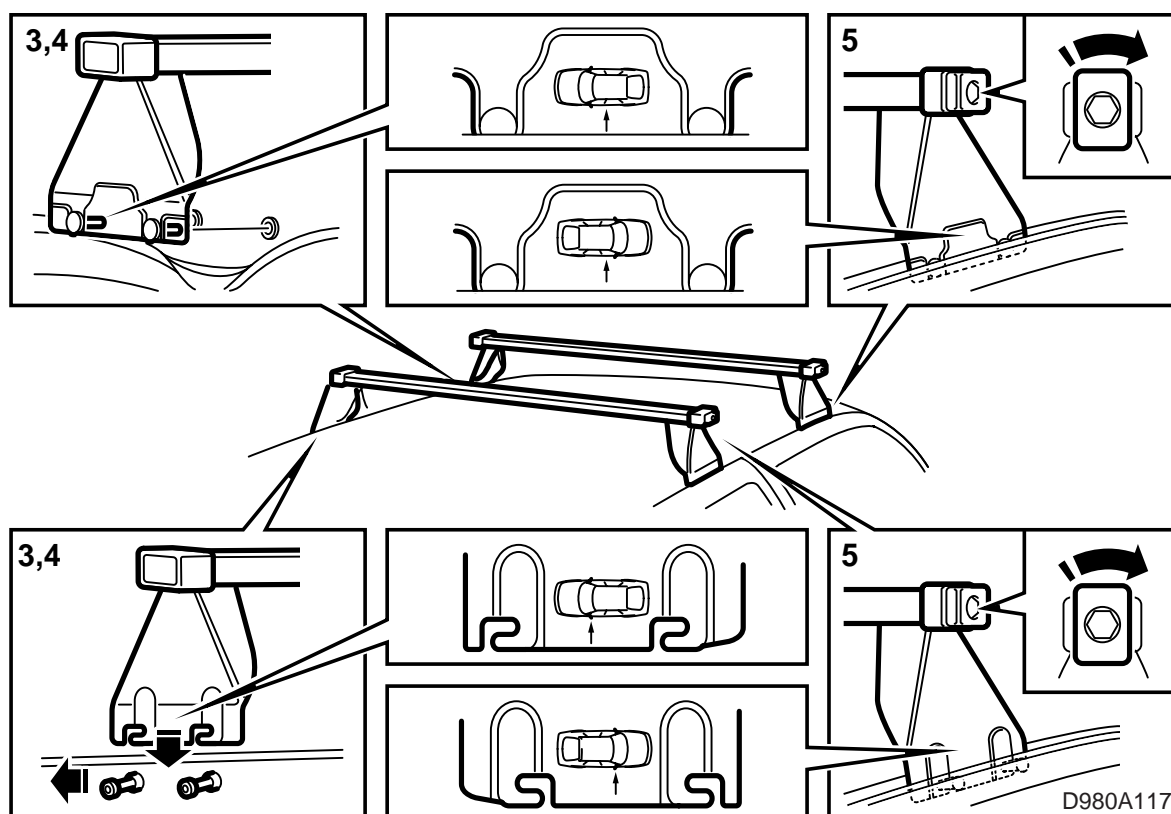
- 4 Go to the other side of the car and remove the plastic protector from the adjustable support.
- Bend the rubber strip out of the way and insert the pins on the fixed support into the fixing holes.
- Close the doors carefully.
- 5 Secure the roof bars by turning the tightening knobs on the ends clockwise.
- Tighten by hand.
- 6 Remove in reverse order.
- Hints for Saab 9000:** Mark the bars "front" and "rear" to facilitate refitting.
- 7 Place the installation instructions inside the car.



D980A118

**Saab 900 3D, 9-3 3D**

- 1 Mount the plastic protectors on the adjustable supports (the side with the tightening knob), to protect the paintwork while fitting the roof bars.
- 2 Open the car doors.  
Bend the rubber strip out of the way and locate the fixing holes in the side of the roof at the front.  
Remove the covers on the rear fixing points.



- 3 Carefully position the roof bars on the roof with the fixed support towards you. Keep the support off the roof so that the paintwork is not damaged.

**Front roof bar:** Bend the rubber strip out of the way of the front fixing point and insert the pins on the fixed support into the fixing holes.

**Rear roof bar:** Press down the support over the pins at the rear fixing point and push forwards.

### Important

The roof bars for the Saab 900 and 9-3 are marked with an illustration showing the location of the supports on the roof, see illustration.

Carefully close the doors on this side to secure the supports in place.

- 4 Go to the other side of the car and remove the plastic protector from the adjustable support.

**Front roof bar:** Bend the rubber strip out of the way of the front fixing point and insert the pins on the fixed support into the fixing holes.

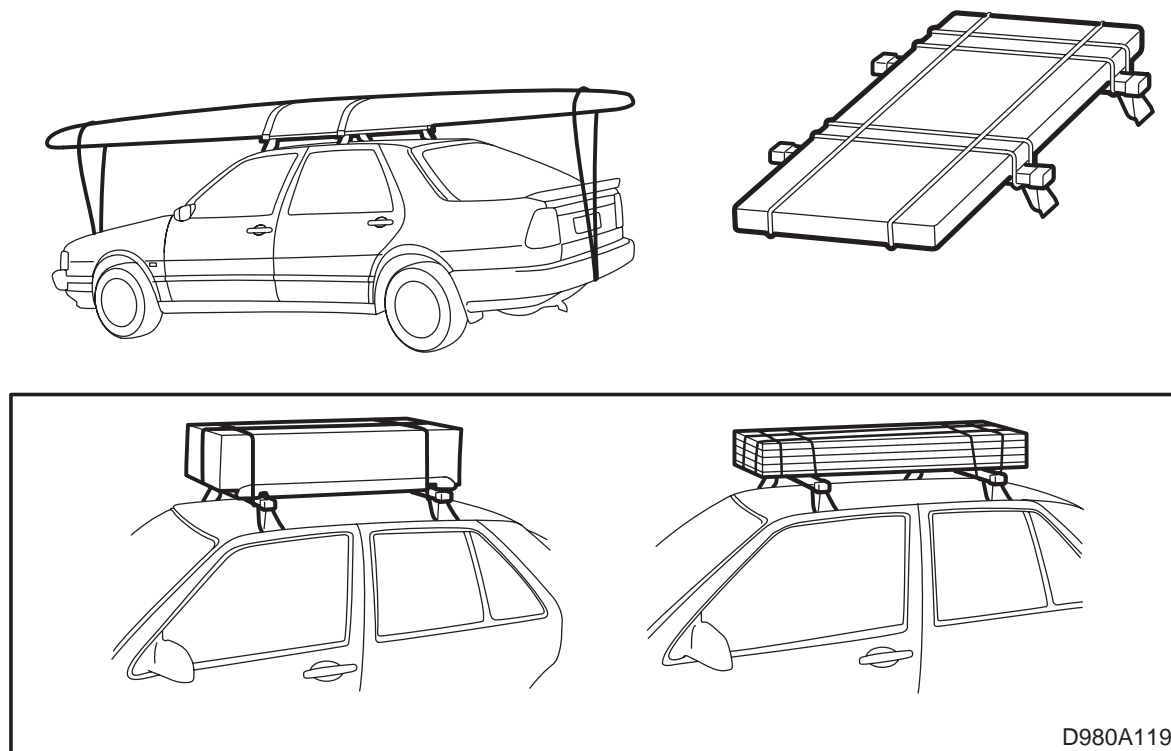
**Rear roof bar:** Press down the support over the pins at the rear fixing point and push forwards. Close the doors carefully.

- 5 Secure the roof bars by turning the tightening knobs on the ends clockwise.

Tighten by hand.

- 6 Remove in reverse order.

- 7 Place the installation instructions inside the car.



#### Advice on driving with roof loads

- The maximum load per pair is 100 kg evenly distributed load, including the weight of the roof bars, 5 kg.
- The driver is responsible for making sure the load is made secure in such a way that it will not come loose or cause damage or injury.
- Use sturdy lashing devices, e.g. lashing straps with lockable tensioner. Do not use elastic straps or rope for lashing anything heavier than a pair of skis.
- Make sure the load is secured properly in the direction of travel as well. This is just as important as in a sideways direction.
- Long loads must be supported on or lashed to the car bumper or towing eye at front and rear.
- If the load protrudes more than 1 m behind the car or in front of the car at all, it must be clearly marked with a warning flag or similar signal.
- When using the car's roof bars to transport long and heavy loads, the speed must be adapted to the load. Never drive faster than 110 km/h. Forces acting on the car roof and the roof bars may then become too great.
- Stop occasionally to check the load and to retighten the lashing if necessary.