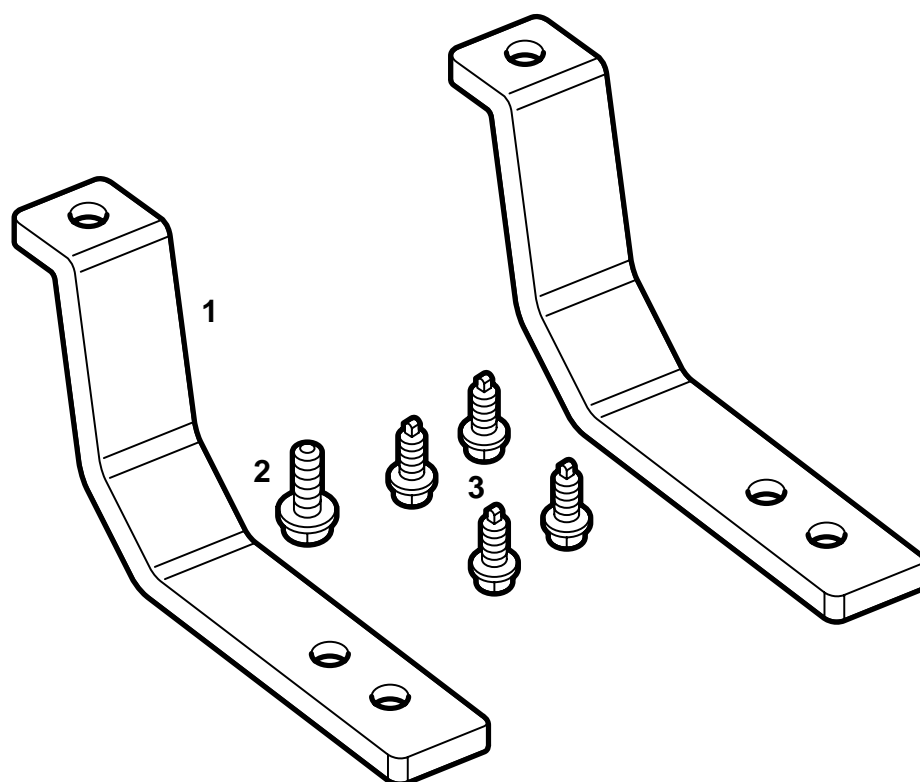


**SAAB****MONTERINGSANVISNING · INSTALLATION INSTRUCTIONS
MONTAGEANLEITUNG · INSTALLATIONS DE MONTAGE**

Saab 900 M94-, Saab 9-3

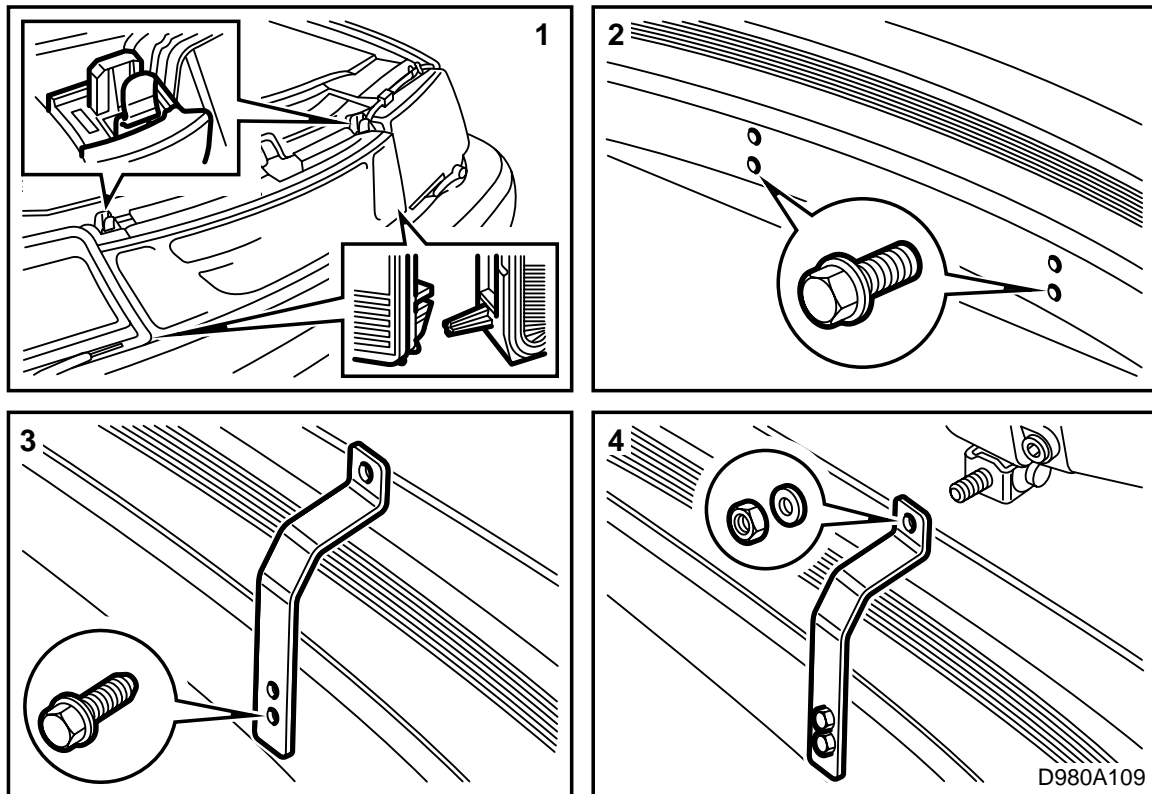
Spotlight mounting brackets

Accessories Part No.	Group	Date	Instruction Part No.	Replaces
400 100 582	3:51-24	Sep 98	86 77 437	75 01 82 Dec 92



D980A108

- 1 Bracket, RH/LH (2x)
- 2 Taptite bolt
- 3 Screws (4x)



- 1 Remove the grille.
- 2 Use the Taptite bolt to cut threads in the four holes on the inside of the bumper.
- 3 Fit the brackets using the four screws.

Important

The brackets are marked for the right-hand and left-hand sides.

- 4 Fit the spotlights on the brackets.
Refit the grille.
- 5 Connect the wiring.
- 6 Adjust the spotlights and tighten.