



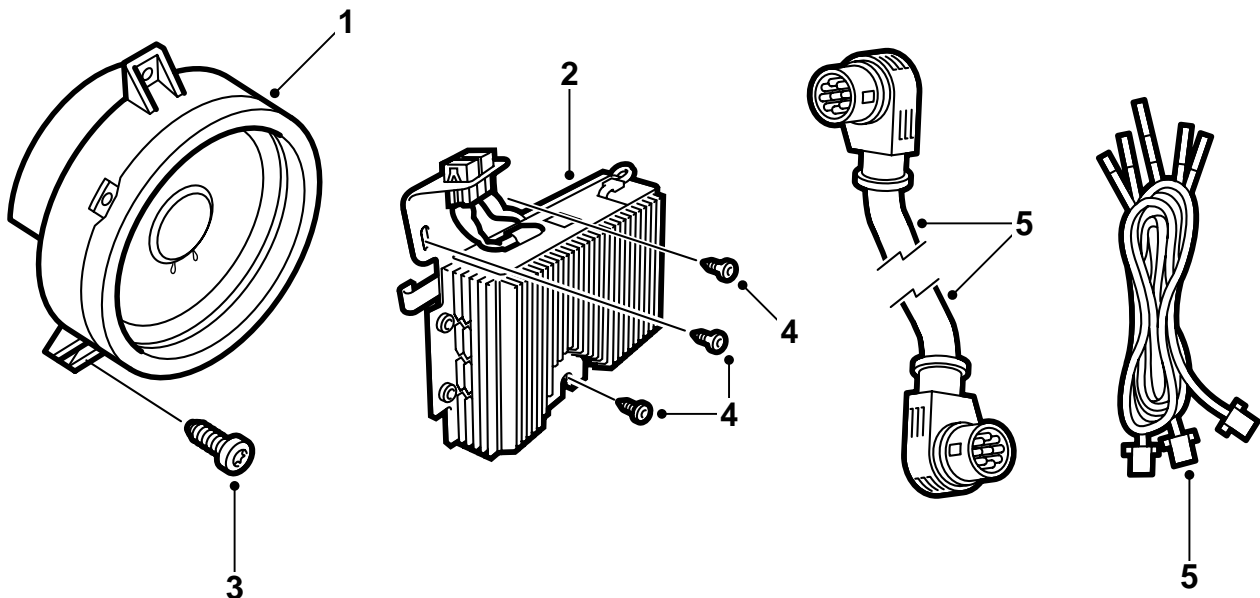
**SAAB**

**MONTERINGSANVISNING · INSTALLATION INSTRUCTIONS  
MONTAGEANLEITUNG · INSTALLATIONS DE MONTAGE**

## Saab 900 M94-, Saab 9-3

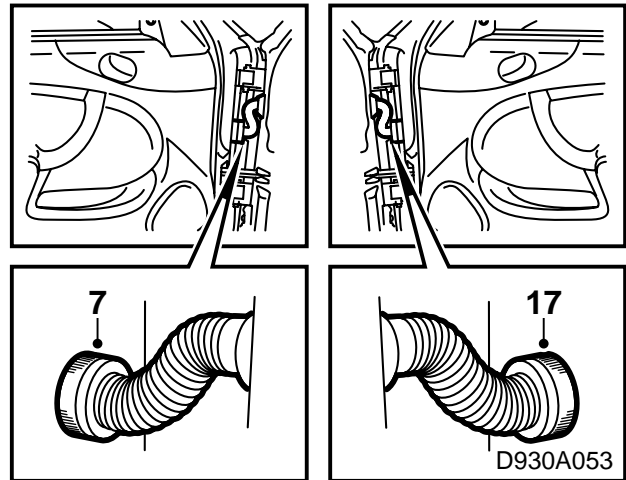
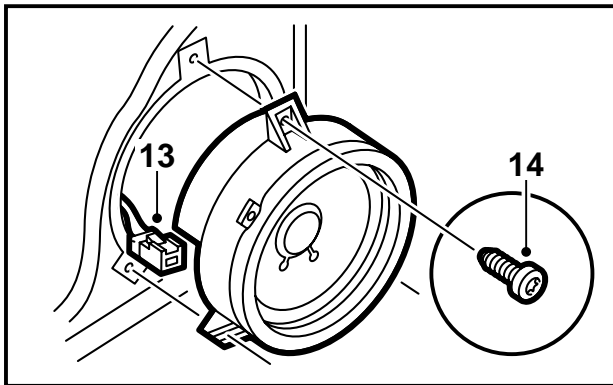
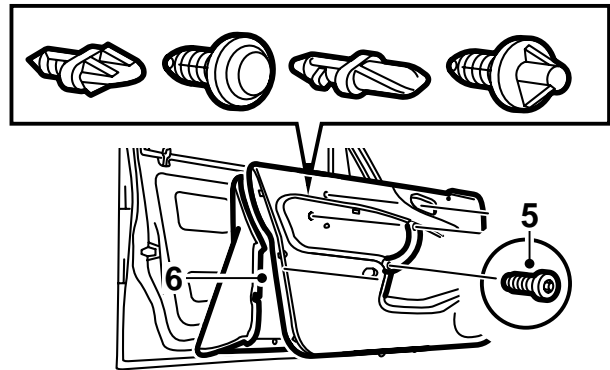
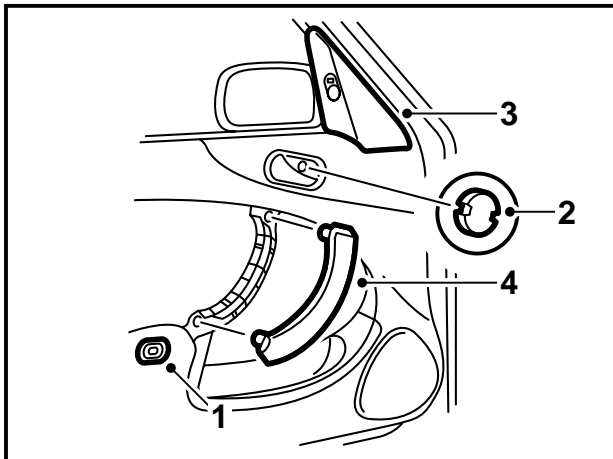
Door-mounted loudspeaker kit

Accessories Part No.	Group	Date	Instruction Part No.	Replaces
400 101 754 400 101 911	3:67-28	Jul 99	45 18 510	75 05 47 Dec 93 44 89 829 Apr 99



D930A051

- 1 Loudspeaker
- 2 Amplifier
- 3 Screw (6x)
- 4 Screw (3x)
- 5 DIN cable
- 6 Wiring harness (purchased separately)
  - LHD 400 103 313
  - RHD 400 103 321
- 7 Cable tie (4x)



### Important

Do not untwist the cables.

- 1 Remove the tailgate release button.
- 2 Remove the cover on the opening handle and unscrew the handle.
- 3 Remove the cover by the door mirror.
- 4 Remove the cover on the door pull.
- 5 Undo the screws securing the door trim.
- 6 Remove the trim by detaching the clips and lifting it away from the lock button.
- 7 Separate the wiring harness at the door grommet.
- 8 Detach the clip securing the wiring harness in the door and pull out the round connector a short way from the cable grommet.
- 9 Put the loudspeaker cables in place in the door and insert the loose ends through the cable grommet.
- 10 Connect the driver's side loudspeaker cable as follows:  
YE/WH alternatively GY/WH - pin 19  
OG/WH - pin 20
- 11 Fasten the wiring harness in the door with clips.
- 12 Make a hole for the loudspeaker in the water barrier by tearing along the perforations.
- 13 Plug the connector to the loudspeaker.

14 Put the loudspeaker in place and tighten the screws.

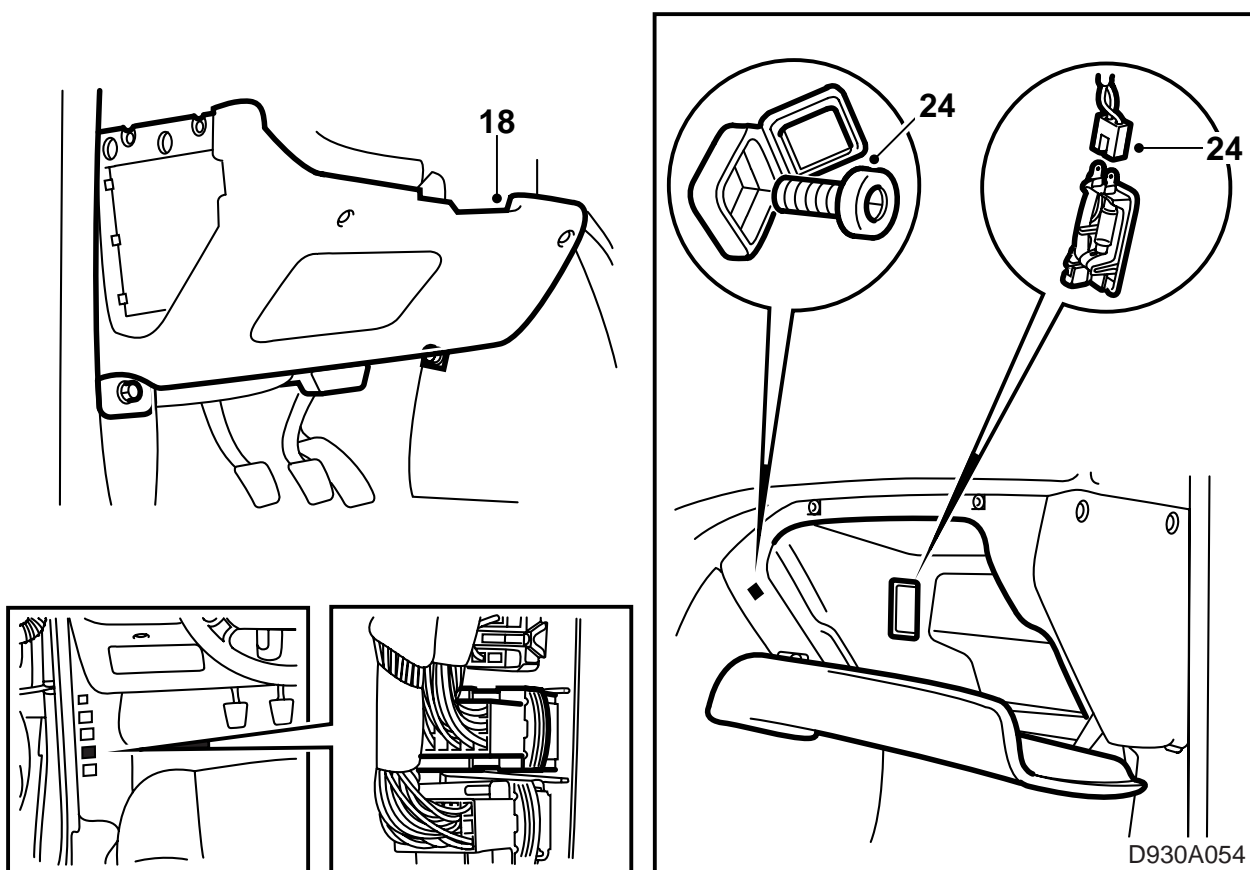
15 Cut a hole for the loudspeaker in the door trim.

16 Refit the door trim and tighten the screws.

17 Fit the passenger loudspeaker in the same way. Connect the cables as follows:

GY - pin 19

BN/RD - pin 20



18 Remove the lower dashboard panel on the driver's side.

19 Remove the screws securing the relay holder and bend it to one side.

20 Lay the wiring harness for the driver's loudspeaker in place under the dashboard.

21 Insert the wiring harness through the grommet in the drivers door and connect the leads as follows:

YE/WH - pin 19

OG/WH - pin 20

22 Connect the leads to the blue connector H33-3 as follows:

#### 900

YE/WH - pin 10

OG/WH - pin 11

GY - pin 30

BN/RD - pin 31

#### 9-3

OG/WH - pin 25

YE/WH - pin 26

GY - pin 28

BN/RD - pin 29

23 Secure the wiring harness with cable ties.

24 Remove the glove box.

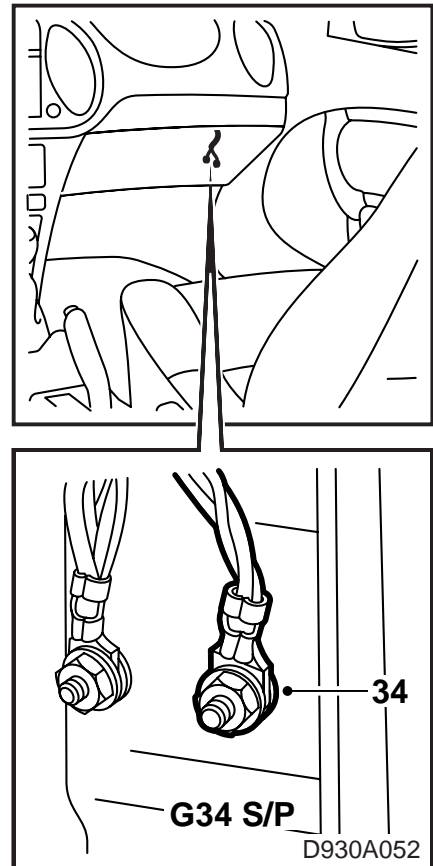
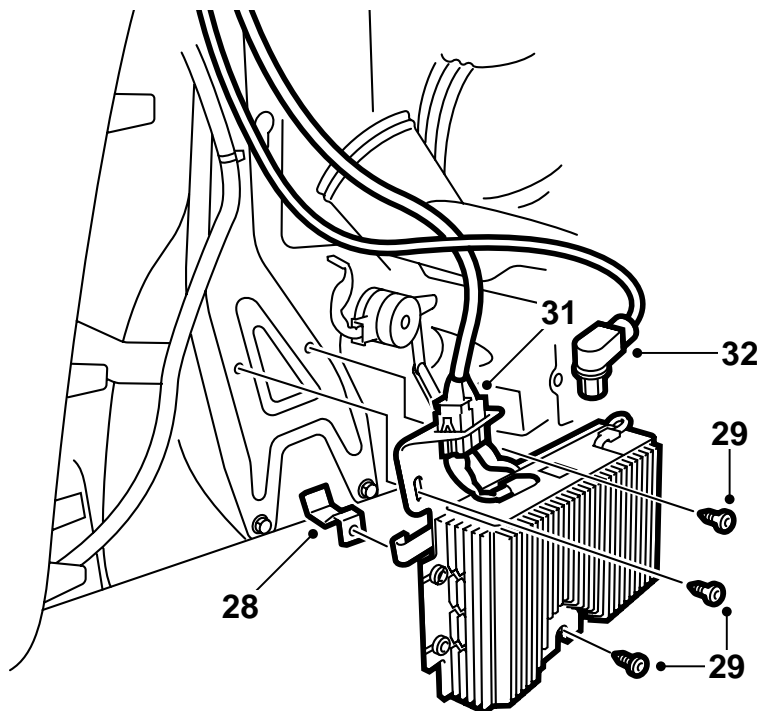
25 Remove the side panel on the passenger side of the centre console.

26 Insert the wiring harness through the grommet in the passenger door and connect the leads as follows:

GY - pin 19

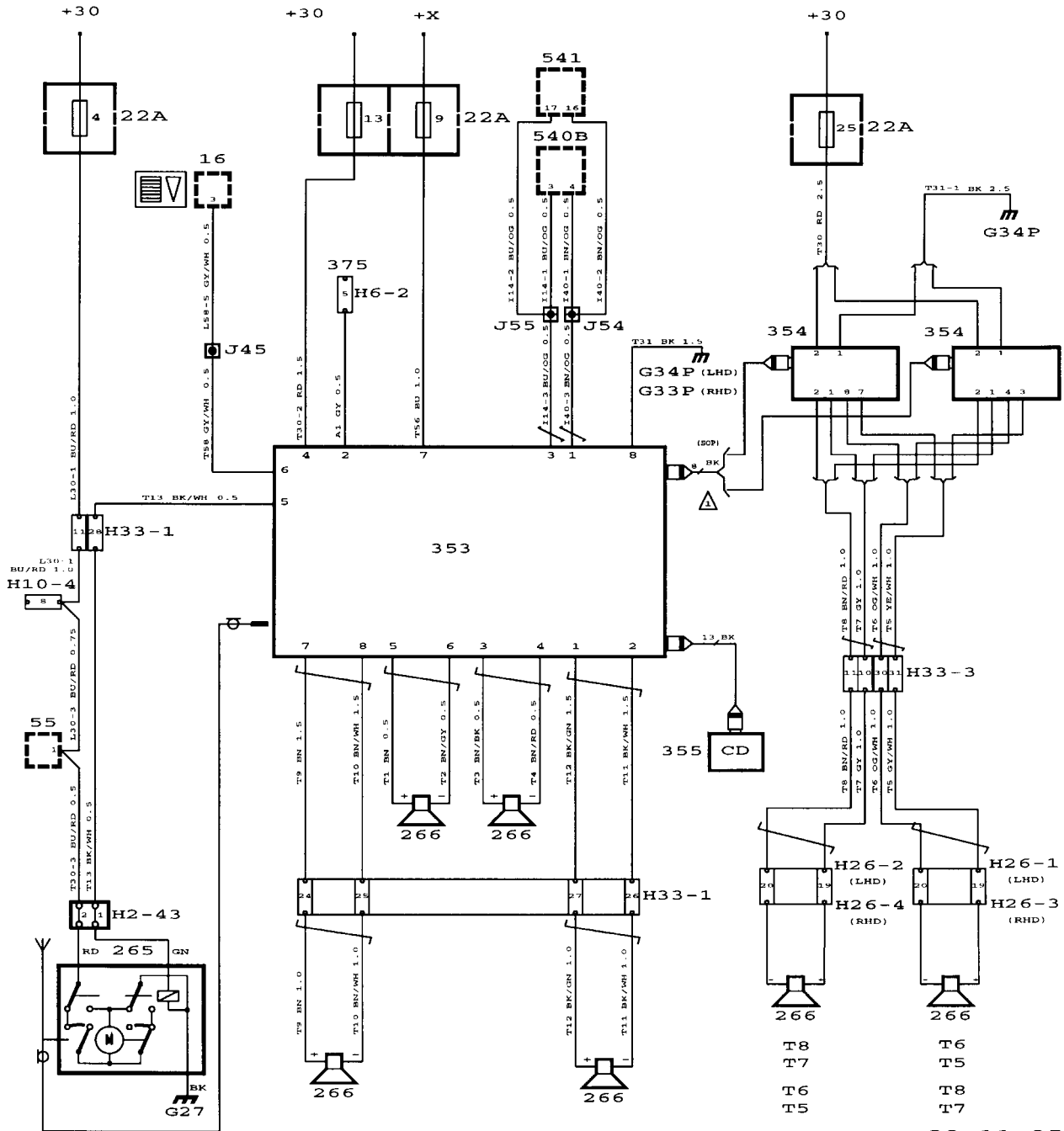
BN/RD - pin 20

27 Secure the wiring harness to the dashboard member with a cable tie.



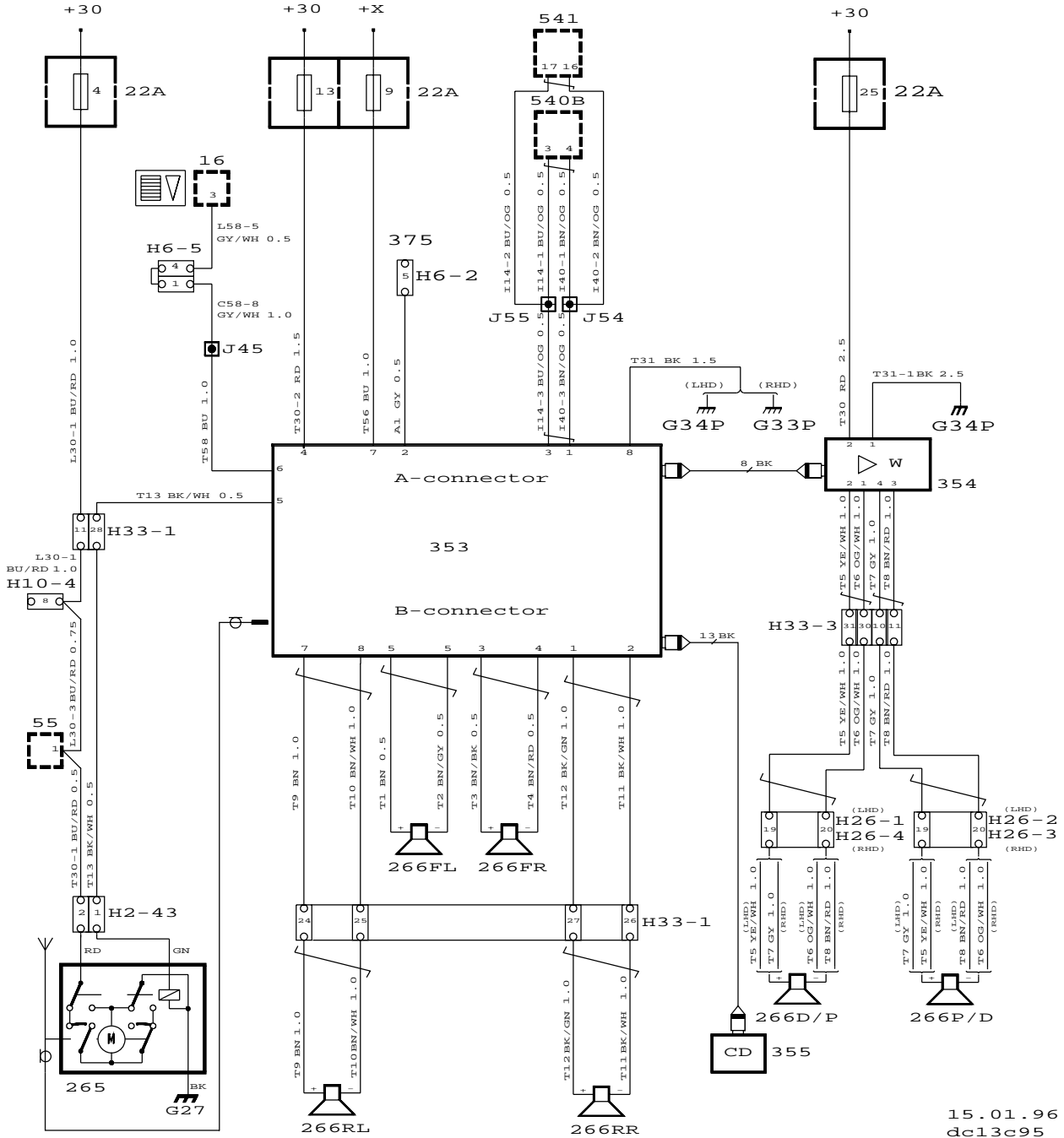
- 28 Put the amplifier bracket in place and screw it tight.
- 29 Put the amplifier in place and tighten the screws securing it to the bracket and the support.
- 30 Put the amplifier wiring harness in place under the dashboard.
- 31 Plug in the wiring harness to the amplifier.
- 32 Plug in the DIN cable to the amplifier.
- 33 Lift out the radio from the dashboard and plug in the DIN cable.
- 34 Connect the ground cable to grounding point G34P on the A-pillar on the passenger side.
- 35 Connect the leads to the blue connector H33-3 as follows:
  - YE/WH - pin 10
  - OG/WH - pin 11
  - GY - pin 30
  - BN/RD - pin 31
- 36 Connect the power supply lead to fuse 25 in the fuse holder.
- 37 Secure the wiring harness with cable ties.
- 38 Refit the side panel to the centre console.
- 39 Refit the glove box.
- 40 Refit the lower dashboard panel on the driver's side.
- 41 Refit the cover on the door pull.
- 42 Refit the cover by the door mirror.
- 43 Put the opening handle in place and screw it tight.
- 44 Put the cover on the opening handle in place.
- 45 Put the tailgate release button in place.

Wiring diagram Saab 900 M94



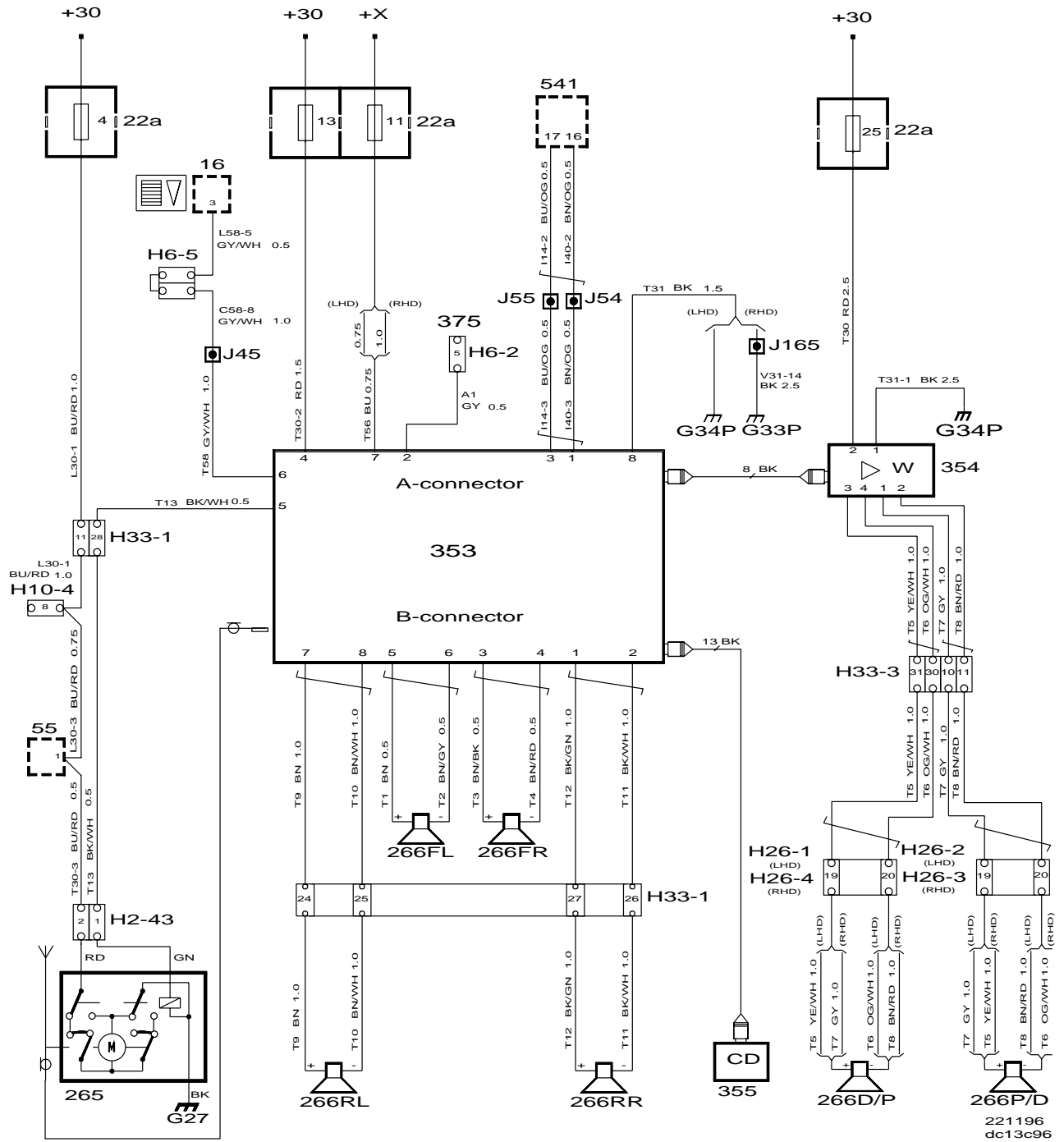
29.11.95  
dc13c94

Wiring diagram Saab 900 M95

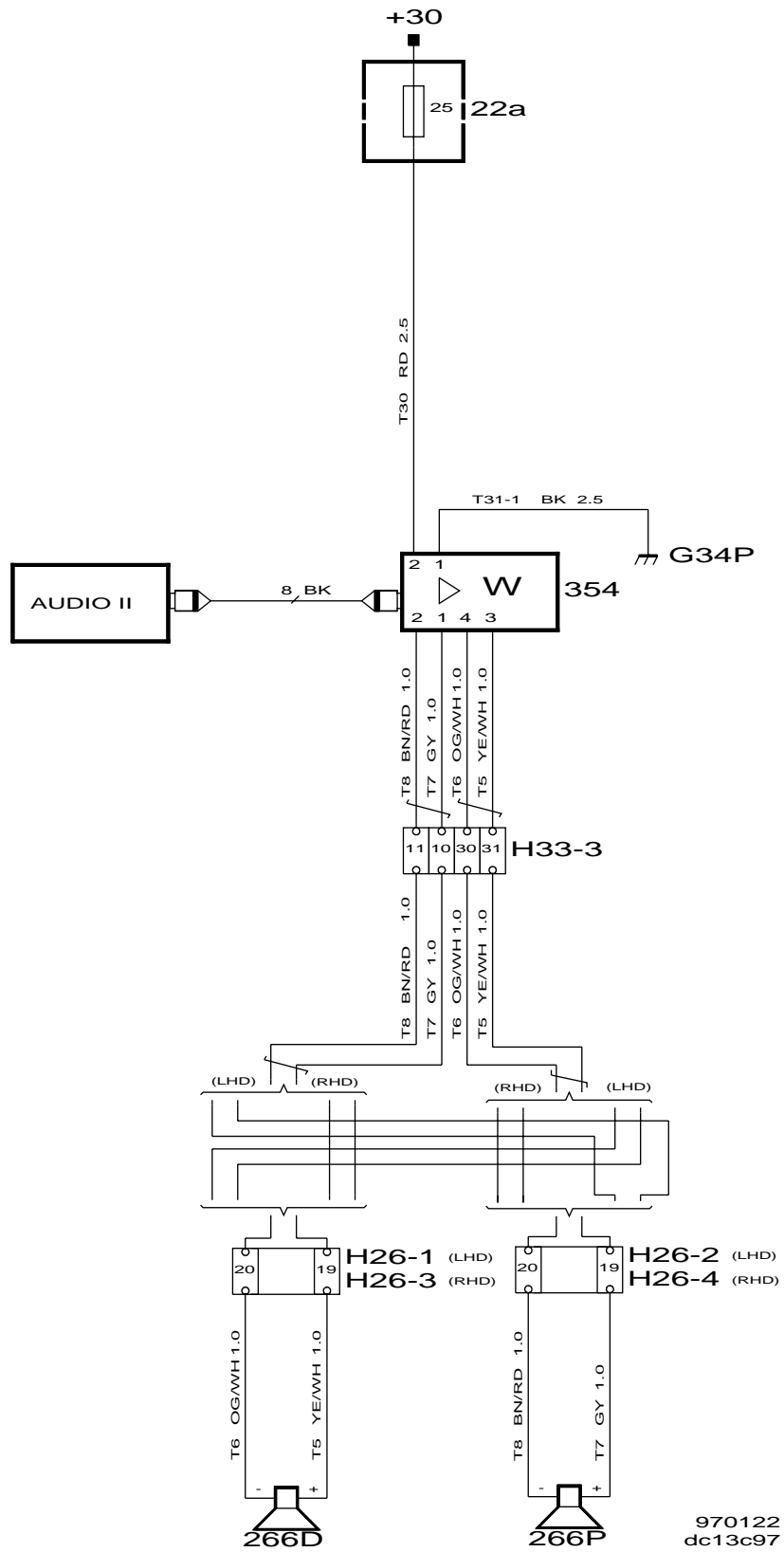


15.01.96  
dc13c95

Wiring diagram Saab 900 M96



Wiring diagram Saab 900 M97





Wiring diagram Saab 9-3 M98

