



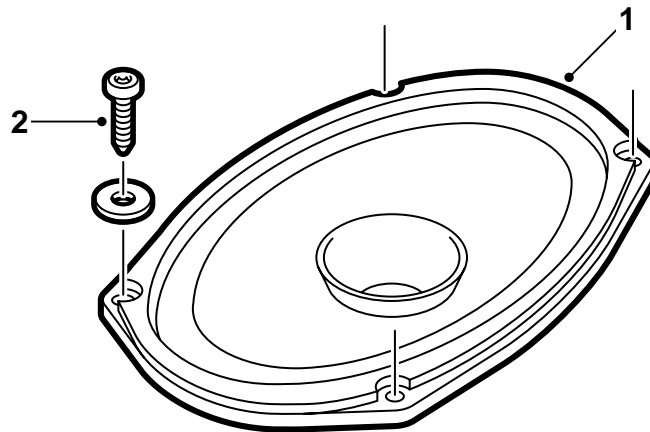
SAAB

**MONTERINGSANVISNING · INSTALLATION INSTRUCTIONS
MONTAGEANLEITUNG · INSTALLATIONS DE MONTAGE**

Saab 900 M94-, Saab 9-3

Rear loudspeaker kit

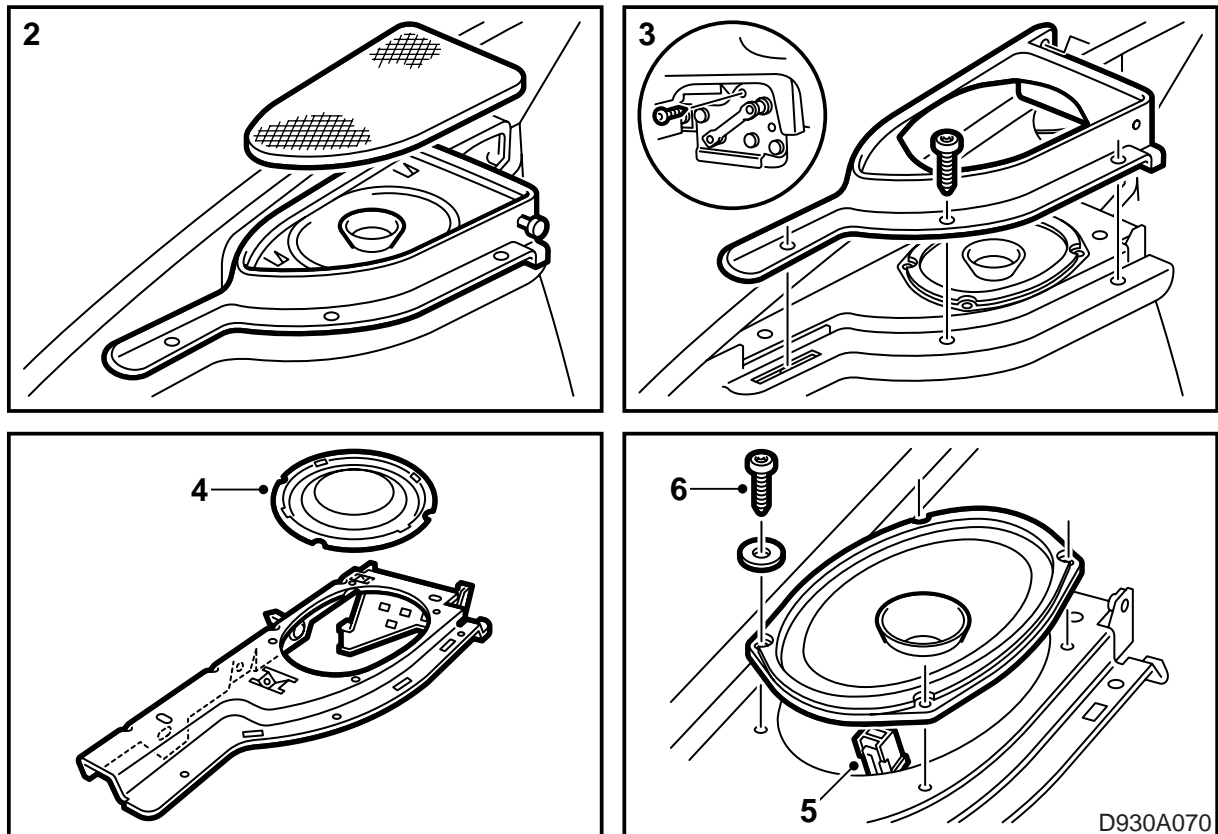
Accessories Part No.	Group	Date	Instruction Part No.	Replaces
400 101 762	3:67-27	Dec 98	45 18 528	75 05 54 Sep 94



D930A069

1 Loudspeakers (2x)

2 Screws (8x)



- 1 Lift out the parcel shelf from the car and tip forward the rear backrest.
- 2 Remove the loudspeaker grille by first releasing both the catches on the front. Then, pull the grille forward and lift it off.
- 3 Remove the screws and pin bolt securing the loudspeaker frame.
- 4 Remove the blanking cover from the space for the loudspeaker.
- 5 Connect the lead to the loudspeaker.
- 6 Put the loudspeaker in place and secure it with four of the screws included with the kit.
- 7 Put the loudspeaker frame in place and tighten the screws.
- 8 Replace the loudspeaker grille. Insert the rear end first.
- 9 Repeat steps 2-8 for the other loudspeaker.
- 10 Raise the backrest and replace the parcel shelf.