



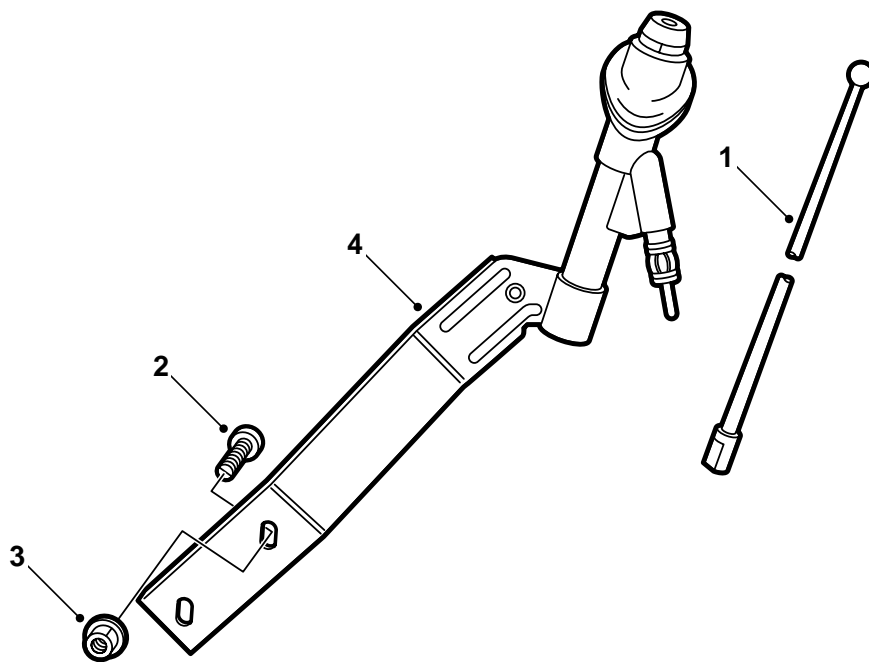
SAAB

**MONTERINGSANVISNING · INSTALLATION INSTRUCTIONS
MONTAGEANLEITUNG · INSTALLATIONS DE MONTAGE**

Saab 900 M94-, Saab 9-3

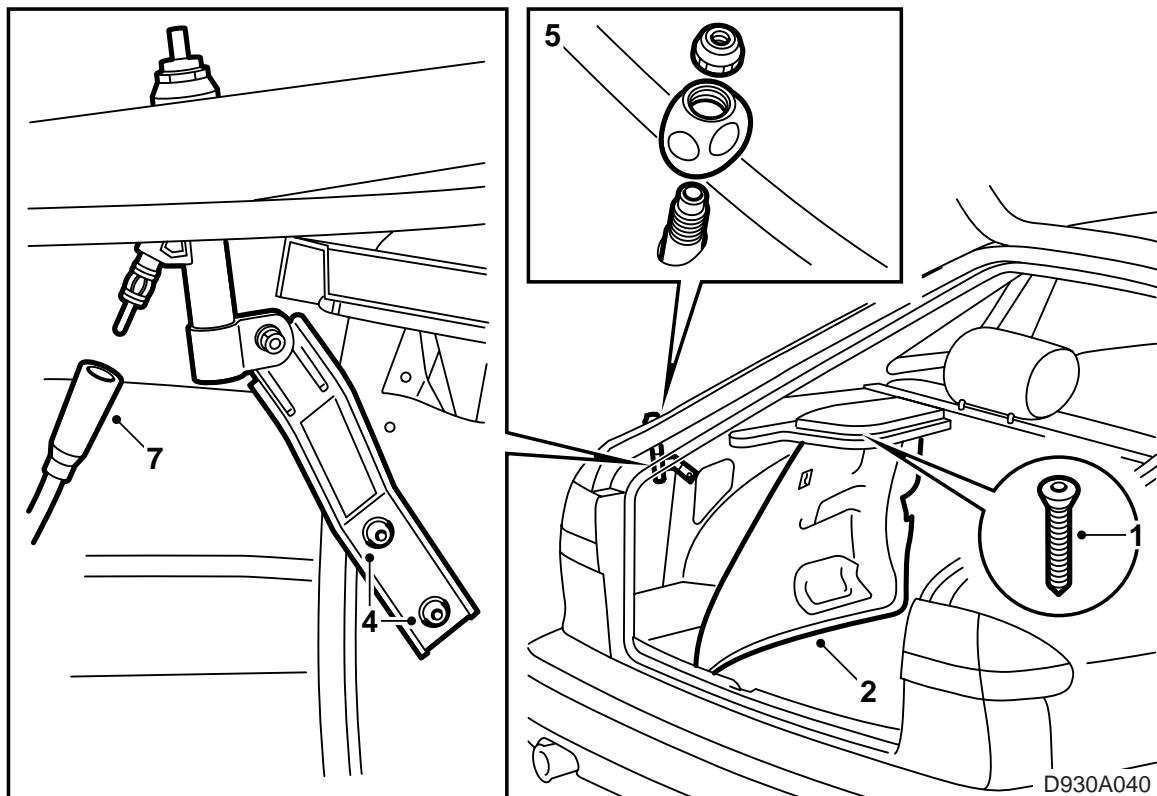
Whip antenna

Accessories Part No.	Group	Date	Instruction Part No.	Replaces
400 101 770	3:67-24	Sep 98	45 18 536	75 05 62 May 93



D930A039

- 1 Antenna
- 2 Bolt (2x)
- 3 Nut (2x)
- 4 Bracket



- 1 Undo the right-hand loudspeaker frame.
- 2 Detach the rear of the left-hand side trim and tilt out the trim.
- 3 Remove the rubber plugs.
- 4 Insert the antenna bracket into the hole and fasten it with the two nuts and bolts.
- 5 Fit the antenna base and nuts.
Tightening torque 3 Nm (2.2 lbf ft).
- 6 Screw on the antenna.
- 7 Connect the antenna cable.
- 8 Refit all removed parts.