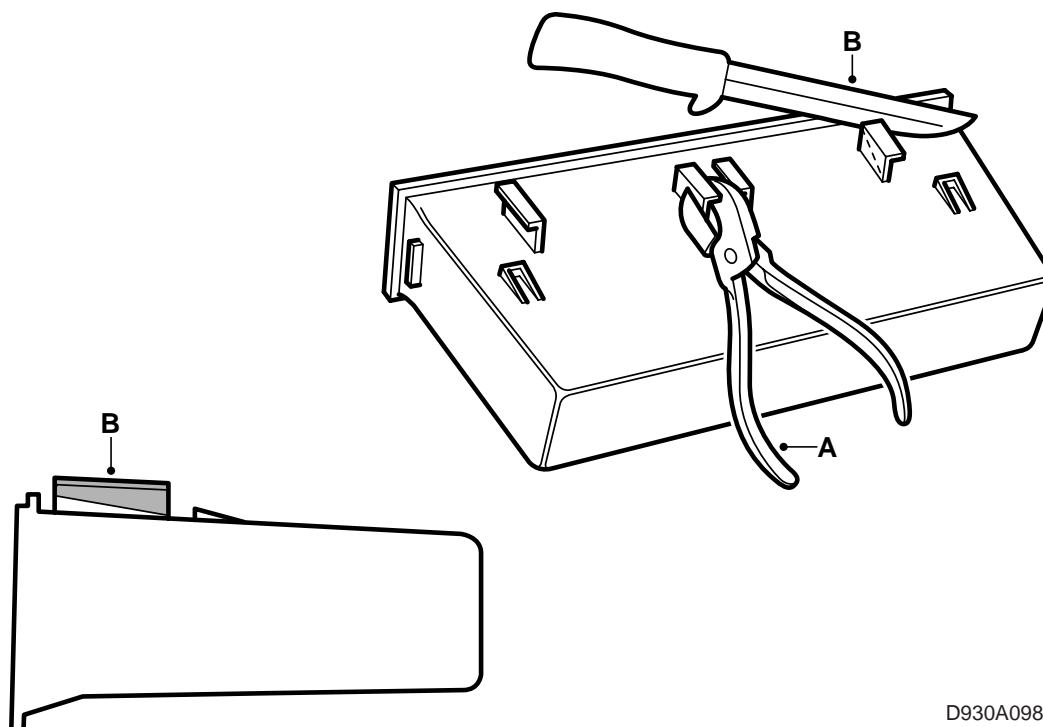


**SAAB****MONTERINGSANVISNING · INSTALLATION INSTRUCTIONS
MONTAGEANLEITUNG · INSTALLATIONS DE MONTAGE**

Saab 900 M94-

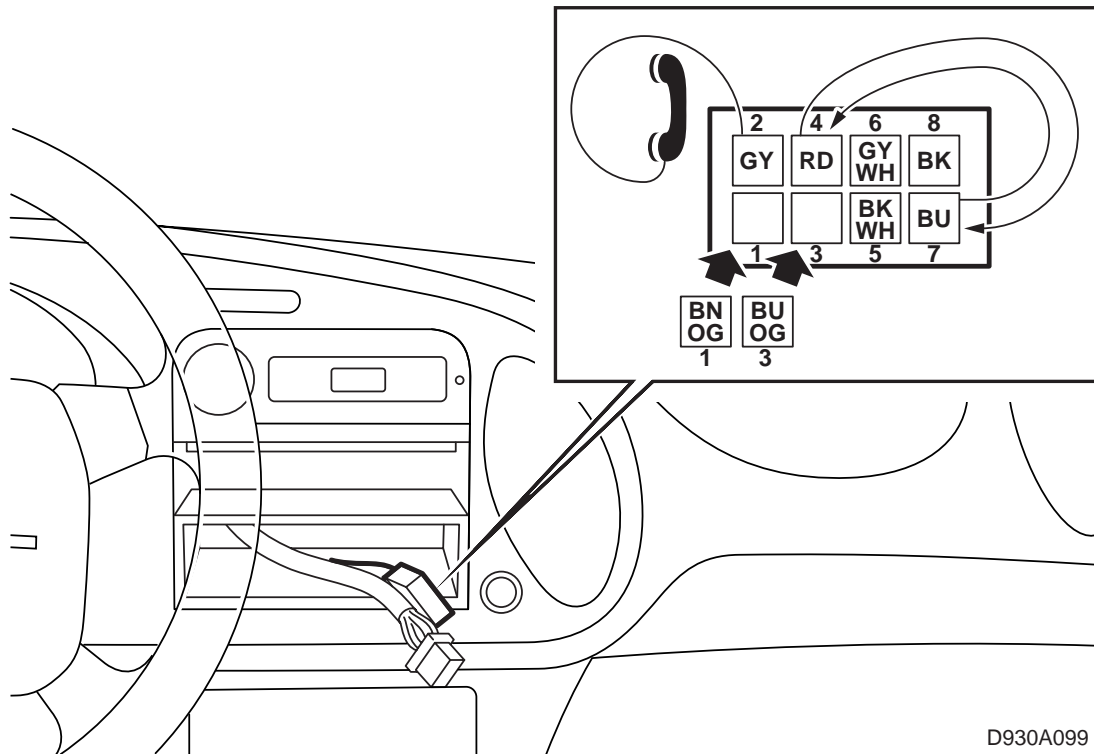
Mounting plate, radio

Accessories Part No.	Group	Date	Instruction Part No.	Replaces
400 101 796	3:67-26	Apr 99	45 18 569	75 05 88 Nov 95



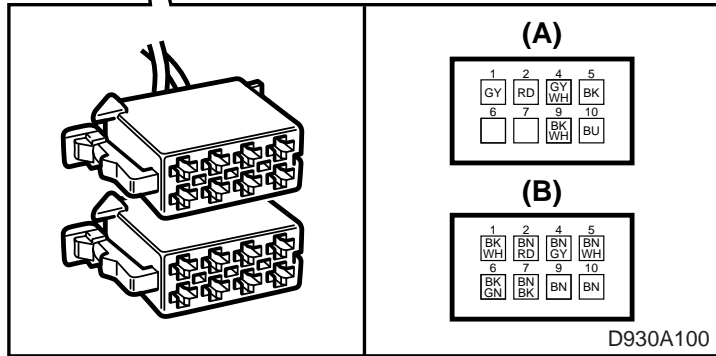
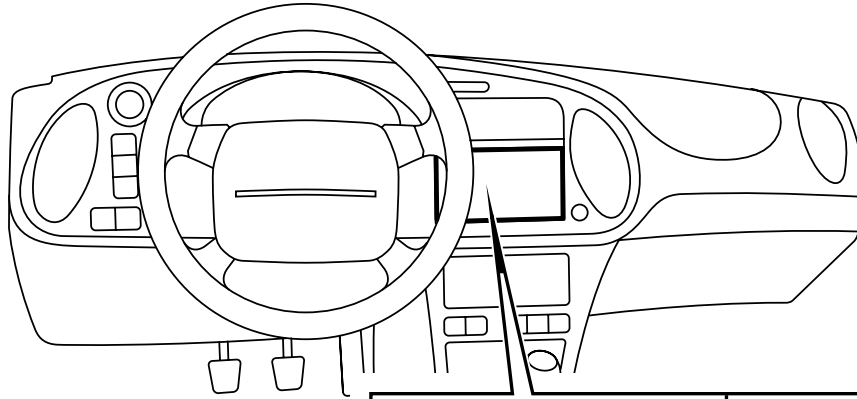
D930A098

- 1 Remove the storage compartment and cover in the dashboard.
- 2 Separate the storage compartment and cover.
- 3 Snip off the two middle plastic angular pieces (A) on the **underside** of the storage compartment and cut off the outer angular pieces (B) according to the markings shown. The forward edge of the angular piece should be level with the flange round the storage compartment.



D930A099

- 4 Snip through the cable tie securing the prewiring in the dashboard.
- 5 Fit the frame in the dash and secure it by bending the metal tabs at the bottom and on the right-hand side.
- 6 If pins 1 and 3 are present in the grey connector (A) on the prewiring, remove them from the connector and insulate them. Pin 2 is used for a mobile telephone installation (mute switch). See the radio circuit diagram for the right connections. If not used, pin 2 should be insulated. Pins 4 and 7 should be transposed.

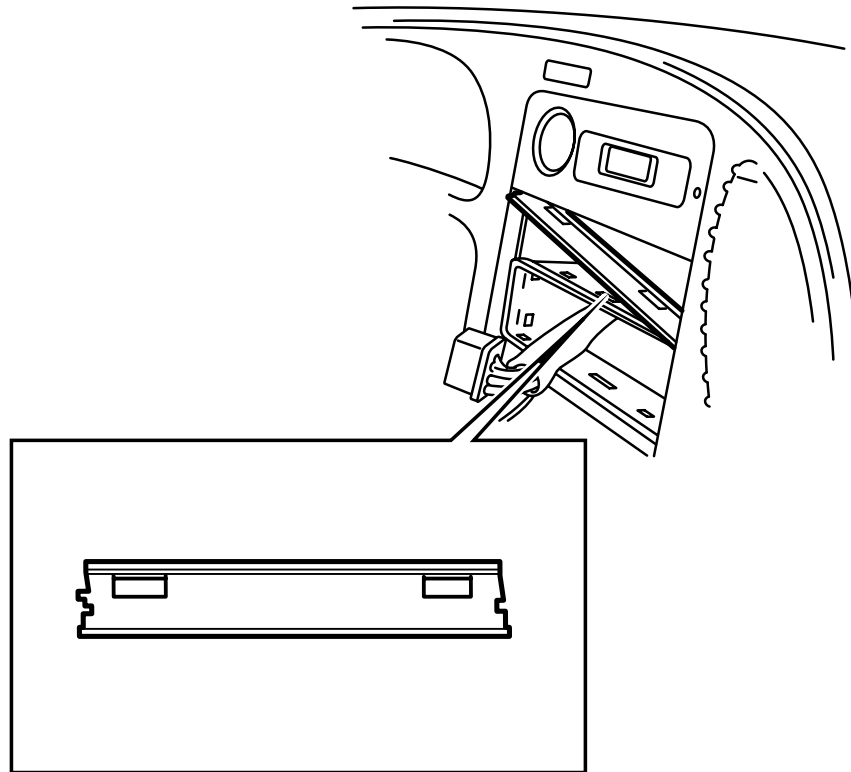


Connector (B), loudspeakers, complying with ISO standard

Connector (A), power supply etc. complying with ISO standard

Pin	Function
2	Telephone mute
4	Trigger 12 V +
5	Motorized aerial
6	Dial illumination
7	Supply 12 V +
8	Ground

Pin	Function
1	+RR (rear right)
2	-RR (rear right)
3	+FR (front right)
4	-FR (front right)
5	+FL (front left)
6	-FL (front left)
7	+RL (rear left)
8	-RL (rear left)



D930A101

- 7 Fit the mounting plate on the frame and secure it by means of the metal tabs in the middle.
- 8 Plug the connectors and aerial cable into the radio. Press the radio into the dashboard. A click should be heard when it is properly secured.
- 9 Press the storage compartment into place.

Note

If the storage compartment is loose and does not make a good fit, use the extra piece of felt to stabilize it.