



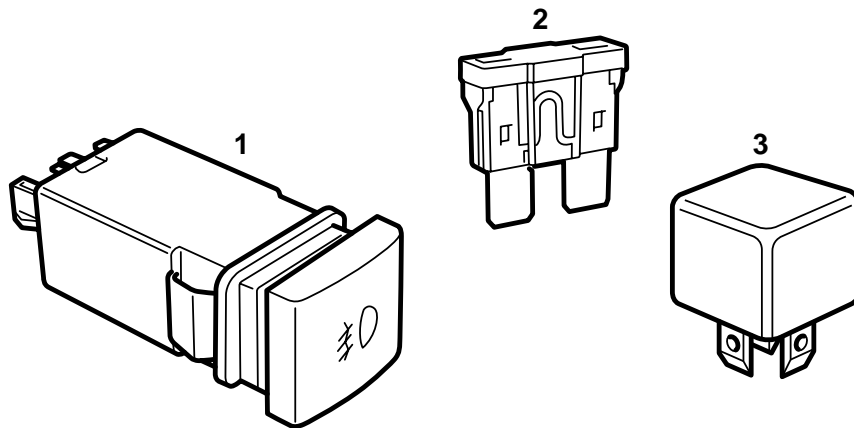
SAAB

**MONTERINGSANVISNING · INSTALLATION INSTRUCTIONS
MONTAGEANLEITUNG · INSTALLATIONS DE MONTAGE**

Saab 900 M94-

Connecting fog lights

Accessories Part No.	Group	Date	Instruction Part No.	Replaces
400 102 539	3:51-27	Jan 99	86 82 635	75 06 53 Sep 93

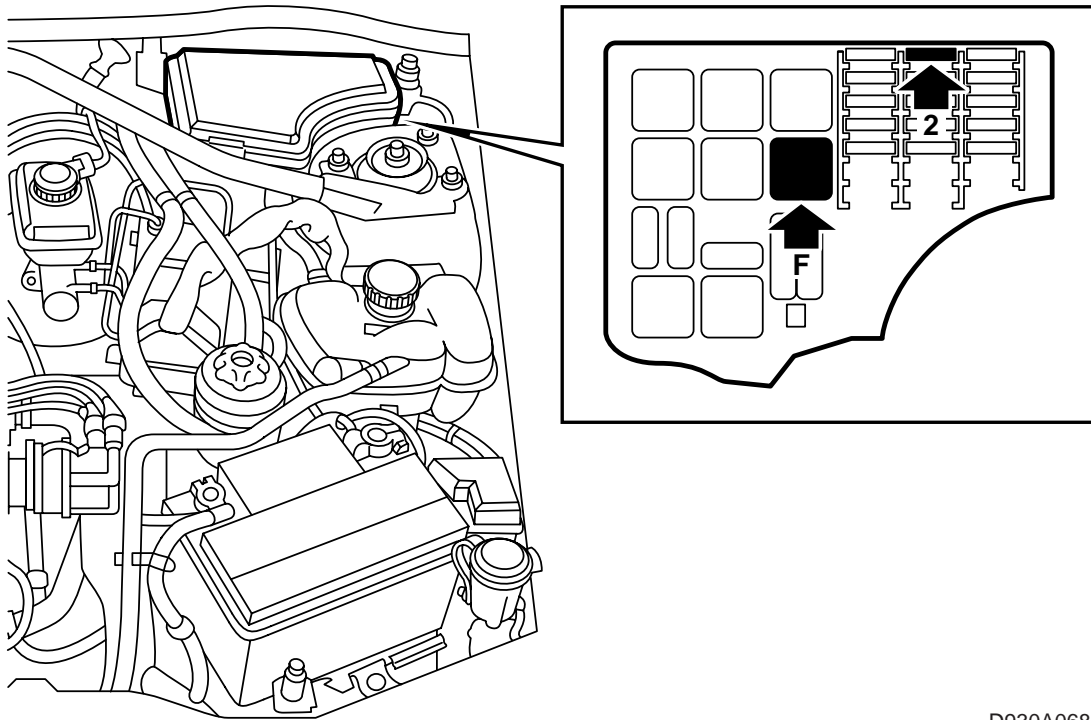


D930A066

1 Switch, "Fog lights"

2 Fuse 15A

3 Relay



D930A068

- 1 Disconnect the negative battery terminal to prevent short circuits.
- 2 Insert the fuse in position 2 in the main fuse box in the engine bay.
- 3 Fit the relay in the position marked F "Fog Light" in the main fuse box in the engine bay.
- 4 Replace the dummy button (to the left of the steering wheel on LHD or to the right on RHD) with the switch marked with a "lamp".
- 5 Check the operation.