



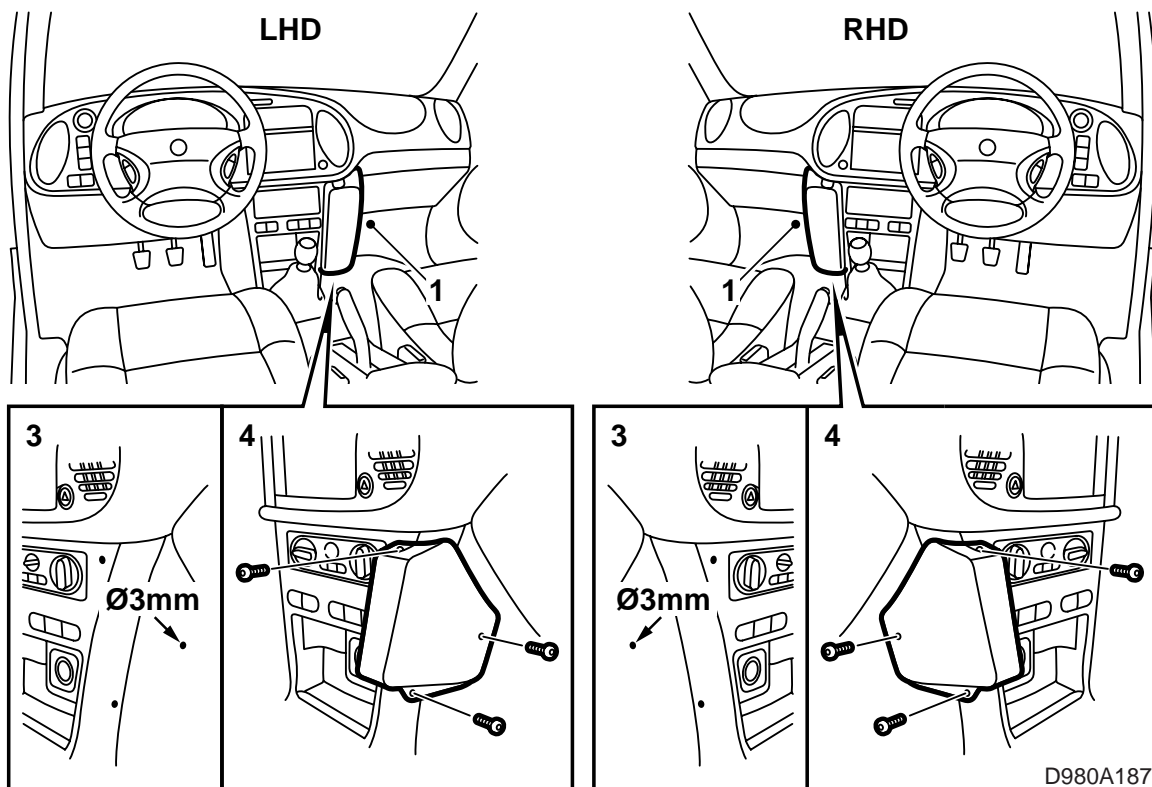
**SAAB**

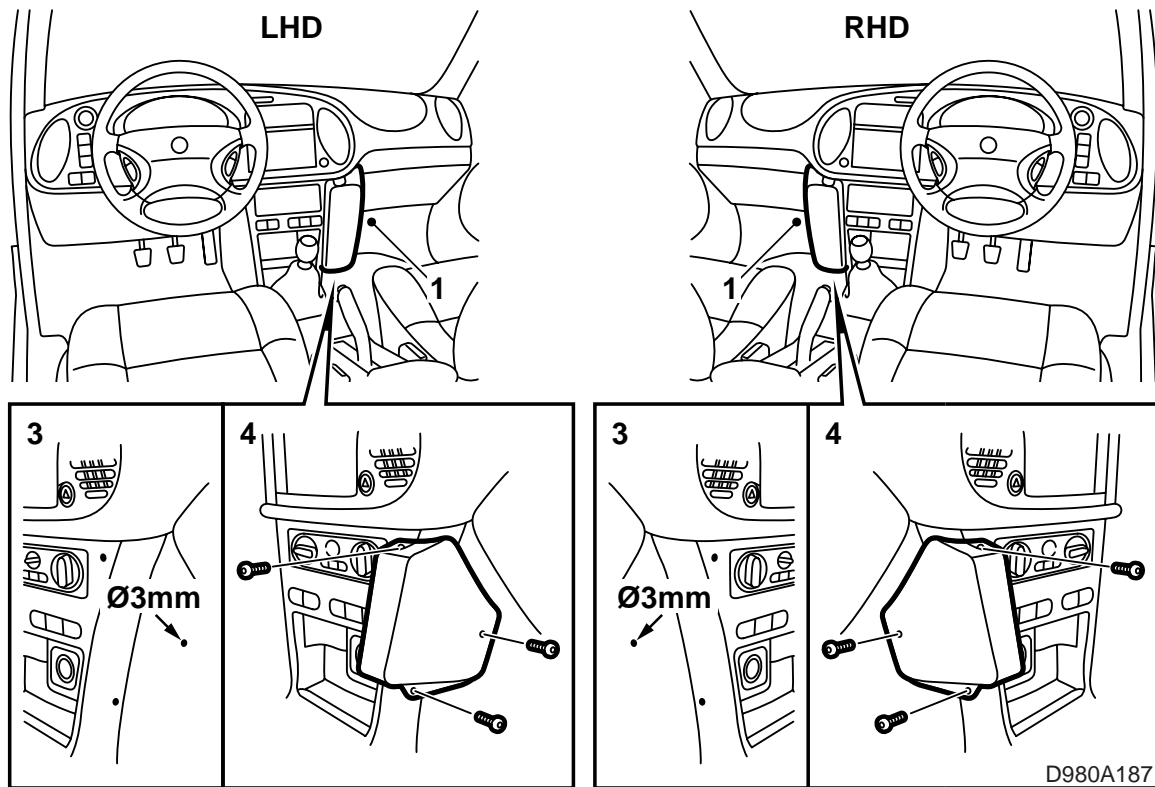
**MONTERINGSANVISNING · INSTALLATION INSTRUCTIONS  
MONTAGEANLEITUNG · INSTALLATIONS DE MONTAGE**

## Saab 900 M94-

Telephone bracket

Accessories Part No.	Group	Date	Instruction Part No.	Replaces
400 101 630 400 103 651	8:55-03	Apr 99	86 82 544	75 05 05 Jan 94





- 1 Hold the telephone bracket in its position on the centre console. It should be located as high up as possible about 5 mm from the ACC panel or the climate control system's control panel.
- 2 Hold the bracket in place and mark the positions of the holes, using an awl.
- 3 Drill holes as marked, using a 3 mm bit.
- 4 Fit the bracket in place and screw it to the centre console