

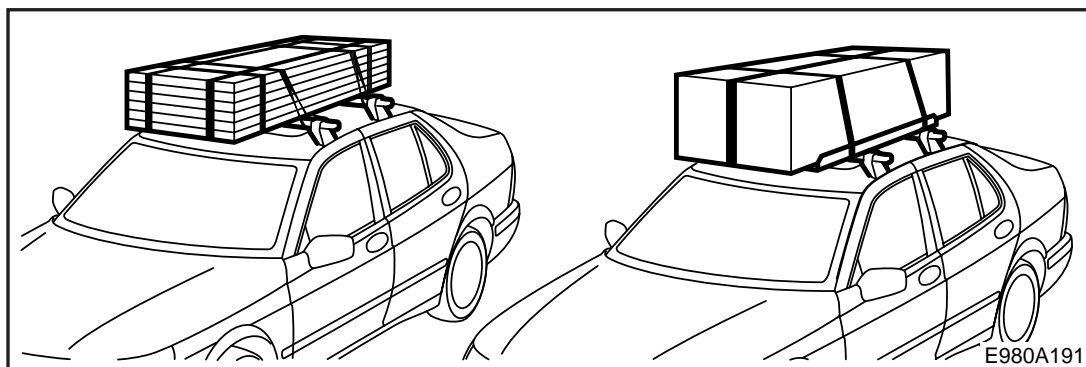
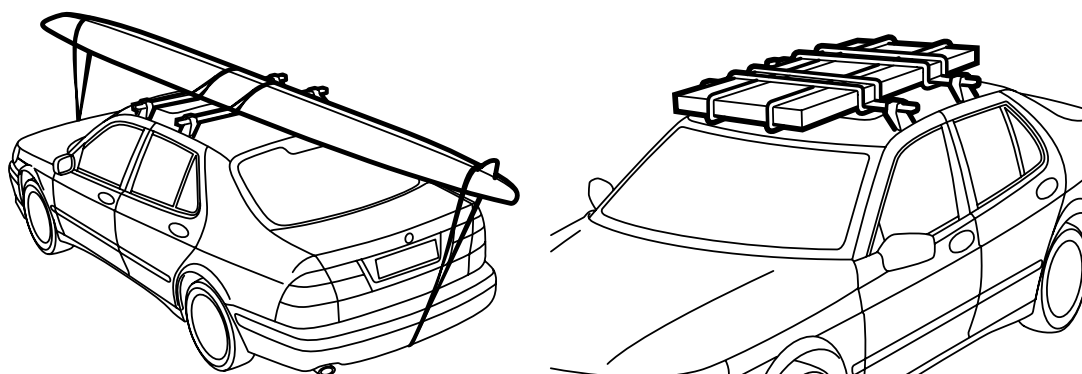


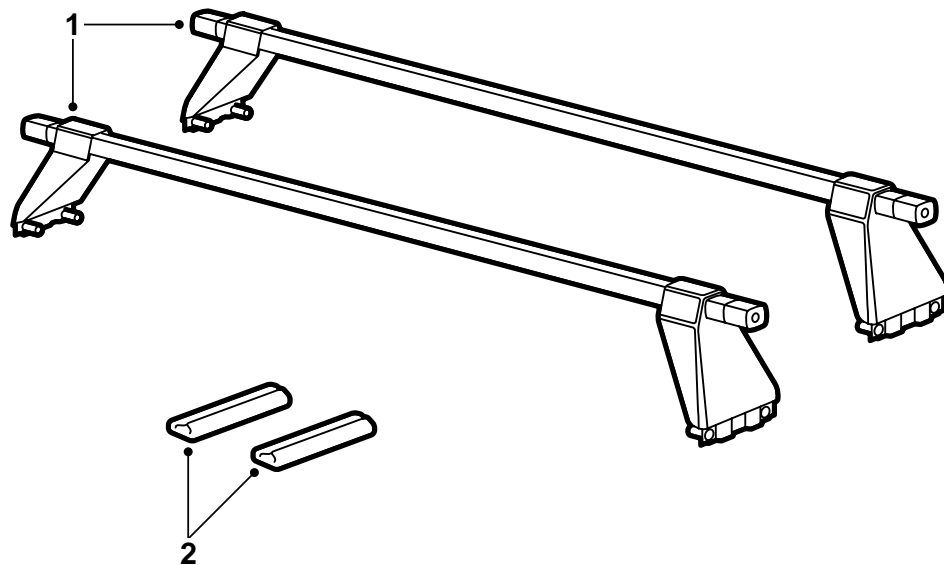
**MONTERINGSANVISNING · INSTALLATION INSTRUCTIONS  
MONTAGEANLEITUNG · INSTRUCTIONS DE MONTAGE**

## Saab 9-5

### Roof rack

Accessories Part No.	Group	Date	Instruction Part No.	Replaces
400 105 813	8:91- 10	Apr 04	47 23 201	47 23 201 Feb 99





E980A188

- 1 Roof rack (2)
- 2 Plastic pad (2)

## Important

 **WARNING**

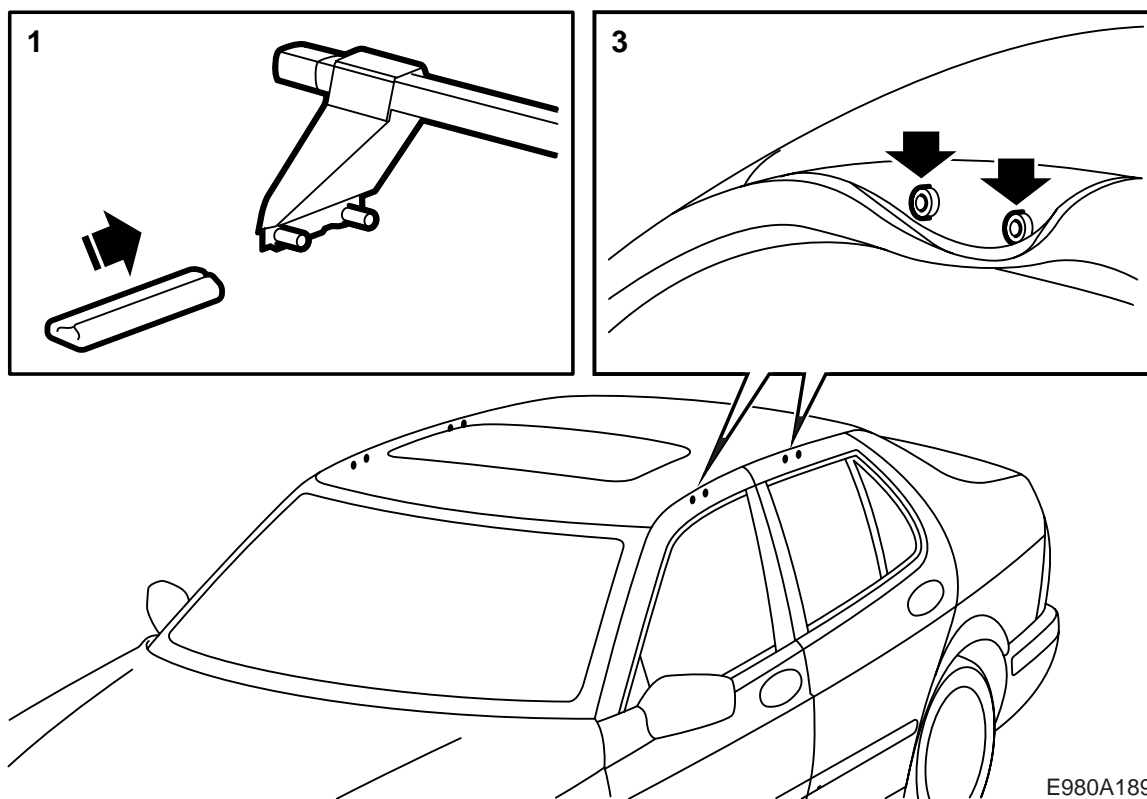
Read all installation instructions before using the load carrier. Carefully follow these instructions when fitting the load carrier and keep them in the car for future reference.

Adapt the speed of the car to take into account the change in centre of gravity and aerodynamics caused by the weight and profile of the roof load.

- Do not fit or use the load carrier until you have understood the installation instructions.
- The carriers are constructed for safe transport provided that they have been properly mounted. **Product modifications must not be made.**
- Always check that the load is securely fastened.
- The heaviest permitted roof load is 100 kg (220 lbs.) including the load carrier weight: 5,5 kg (12.1lbs). See the Owner's Manual.
- Note that the car's handling characteristics (during strong crosswinds, cornering or braking) are altered while driving with a loaded carrier.
- For reasons of traffic safety and to reduce wind resistance, the load carrier should be removed when not in use.
- The load carrier should be removed before the car is taken through an automatic car wash.
- Saab Automobile AB is not responsible for damages caused by improperly mounted load carriers or accessories.
- When in doubt, contact your Saab dealer.
- These installation instructions should be stored in the car.

## Advice and tips

- Secure the load so that it cannot loosen or cause damage. Be sure to tie down the load so that it cannot move in any direction. The driver is responsible for ensuring that the load is properly secured.
- Use proper equipment, such as straps with tensioners that lock securely. Do not use elastic bands or rope for any load heavier than a pair of skis.
- Be sure to distribute the load weight equally on the carrier to provide the lowest possible centre of gravity. Place small, very heavy loads to one side, not in the centre, of the carrier during transport.
- For reasons of traffic safety, the load should not extend over the sides of the car.
- Long objects must be braced or secured to the bumper or the towing eye both front and rear. If the load extends more than 1 m (3.3 ft) to the rear of the car or if it extends over the front of the car, it must be properly marked with warning flags or the like.
- Before driving, check that all attaching equipment is secured and the load is tied down properly. Stop after driving a short distance and check that the load is secure.
- Car industry and trade journal test reports have shown that transportation of large objects (e.g. surf/sailboards, roof boxes) subjects the car roof to additional stress due to substantially increased wind resistance. A sailboard should be placed upside down with the tip pointing forwards.

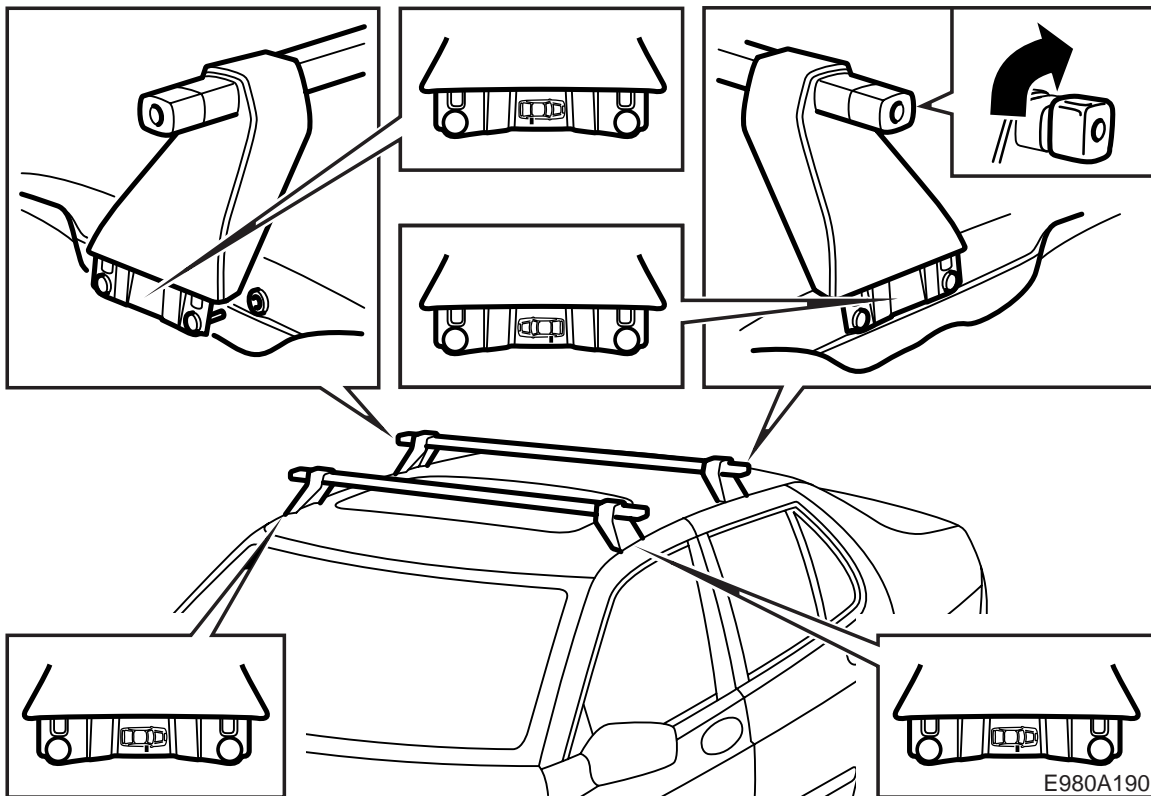


E980A189

1 Fit the plastic pad on the adjustable foot (on the side with the tensioning knob) to protect the car's paintwork when the rack is mounted.

2 Open all the doors.

Pull the rubber moulding out of the way to expose the mounting holes in the sides of the roof.



- 3 Start mounting on the left-hand side of the car. Carefully position the roof rack on the roof with the fixed supporting foot on your side of the car. Keep the supporting foot raised above the roof to avoid damaging the paintwork.

Pull the rubber moulding out of the way and insert the fixed supporting foot's dowels into the mounting holes.

Make sure that the rubber moulding comes inside the roof rack's plastic cover.

### Important

The roof rack is marked with a diagram showing the positions of the supporting feet on the roof. Note that the supporting feet should be tightened from the right-hand side of the car.

- 4 Carefully close the doors on the left-hand side to keep the supporting feet in place.
- 5 Go to right-hand side of the car and remove the plastic pad from the adjustable supporting foot. Pull the rubber moulding out of the way and insert the support foot's dowels into the mounting holes.
- 6 Secure the roof rack by turning the tensioning knob on the end of the roof rack clockwise. Turn it by hand, but only tight enough to bring the supporting foot hard up against the edges of the mounting holes.
- 7 Remove in reverse order.
- 8 Leave the mounting instructions in the car.
- 9 When the roof racks are not in use they should be removed from the roof of the car.