

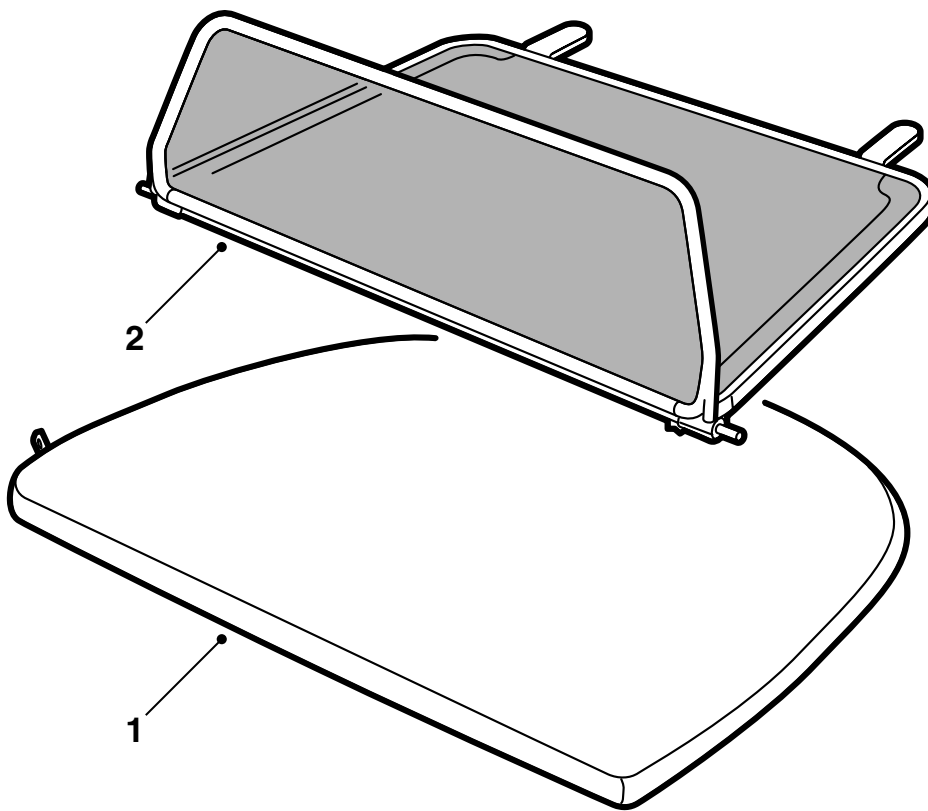


**MONTERINGSANVISNING · INSTALLATION INSTRUCTIONS
MONTAGEANLEITUNG · INSTRUCTIONS DE MONTAGE**

Saab 900 Convertible M1995-98, 9-3 Convertible

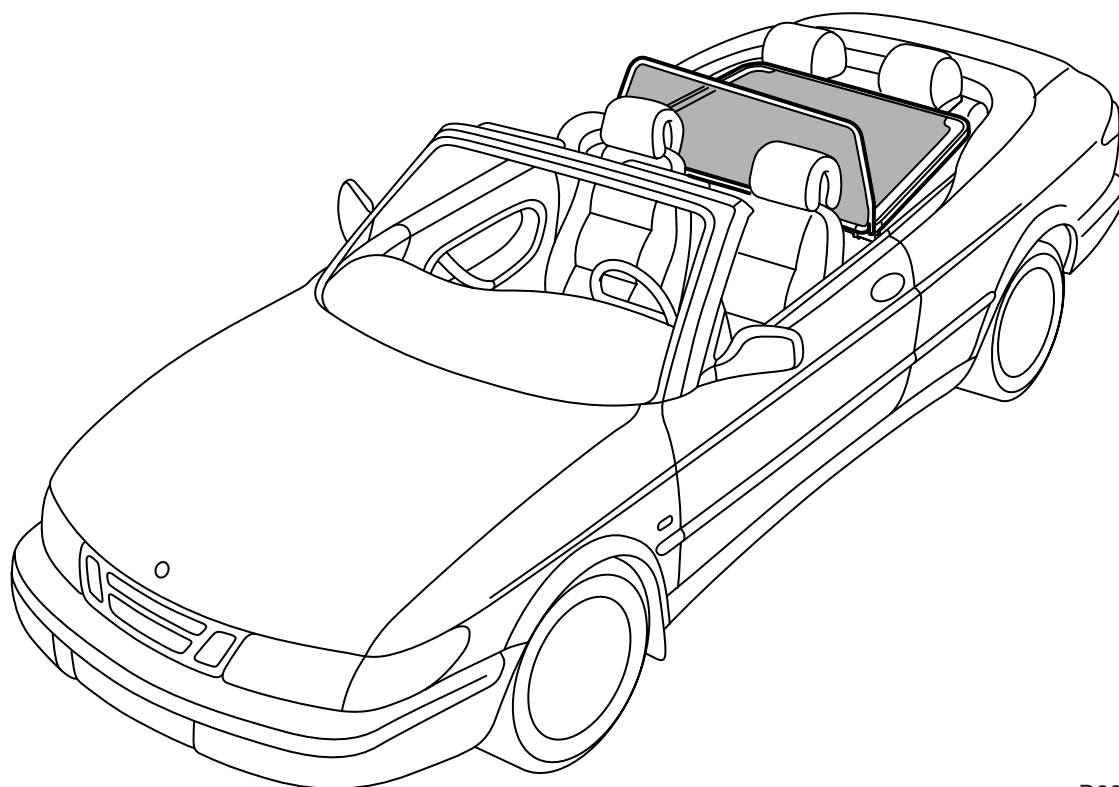
Wind deflector

Accessories Part No.	Group	Date	Instruction Part No.	Replaces
400 105 821	9:84-13	Aug 01	55 20 283	



D980A346

- 1 Bag
- 2 Wind deflector



D980A025

To fit

Place the wind deflector over the rear seat, inserting the rear lugs under the headrests and pressing the front locating studs into the holes in the side trim.

Check that there are no gaps at the front attachment points. If necessary, adjust the two screws in the ends of the locating studs.

Important

Do not allow the front seat backrests to touch the wind deflector.

To remove

Press back the front locating studs and withdraw the wind deflector from the rear seat headrests.

Important

Always store the wind deflector in the bag provided when not in use. Place the deflector in the luggage compartment with the locating studs facing upward.

Cleaning

Use a lint-free cloth and mild soap solution. Apply only gentle pressure to the perforated plastic film.

Important

Never use solvents.
