



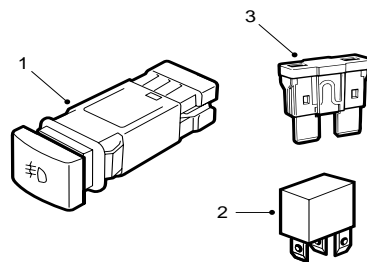
SAAB

**MONTERINGSANVISNING · INSTALLATION INSTRUCTIONS
MONTAGEANLEITUNG · INSTALLATIONS DE MONTAGE**

Saab 9-5

Installation kit, fog lights

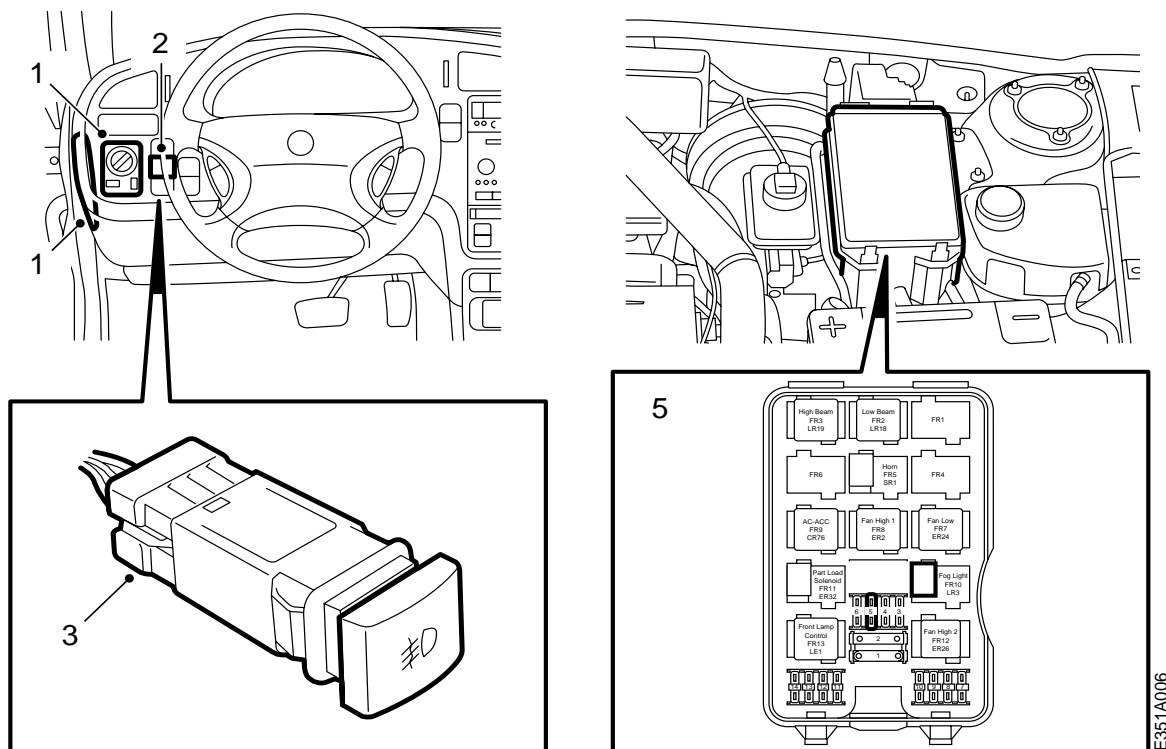
Accessories Part No.	Group	Date	Instruction Part No.	Replaces
400 106 209	3:51-32	Jan 99	47 85 242	47 85 242 Apr 97



E351A005

- 1 Switch
- 2 Relay
- 3 Fuse

Note: Lights not included!



- 1 Open the dashboard fuse-holder cover and remove the lights switch.
- 2 Remove the centre cover panel adjacent to the light switch.
- 3 Unplug the connector from the cover panel and plug it into the installation kit's switch.
- 4 Refit the lights switch and close the fuse cover.
- 5 Open the main fuse box in the engine bay and fit the installation kit's relay and fuse as shown on the inside of the cover.
Relay in pos. 10.1
Fuse in pos. 5.
- 6 Check the operation of the fog lights and also check that they can only be turned on in accordance with the legal requirements of the country concerned.
- 7 Position the car on a level floor and adjust the fog lights by means of the height adjustment screw at the rear of the lights.

E351A006