



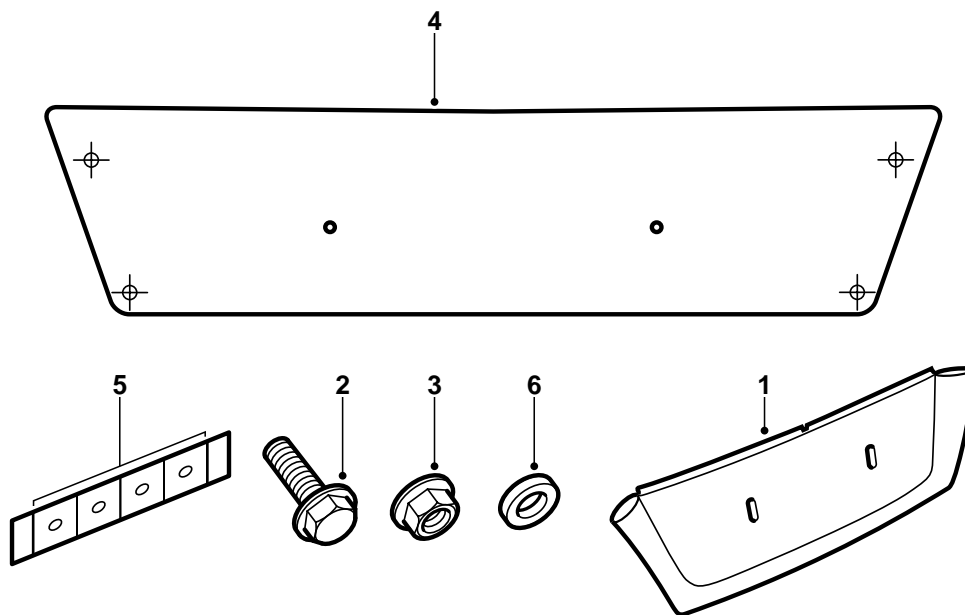
SAAB

**MONTERINGSANVISNING · INSTALLATION INSTRUCTIONS
MONTAGEANLEITUNG · INSTALLATIONS DE MONTAGE**

Saab 9-5

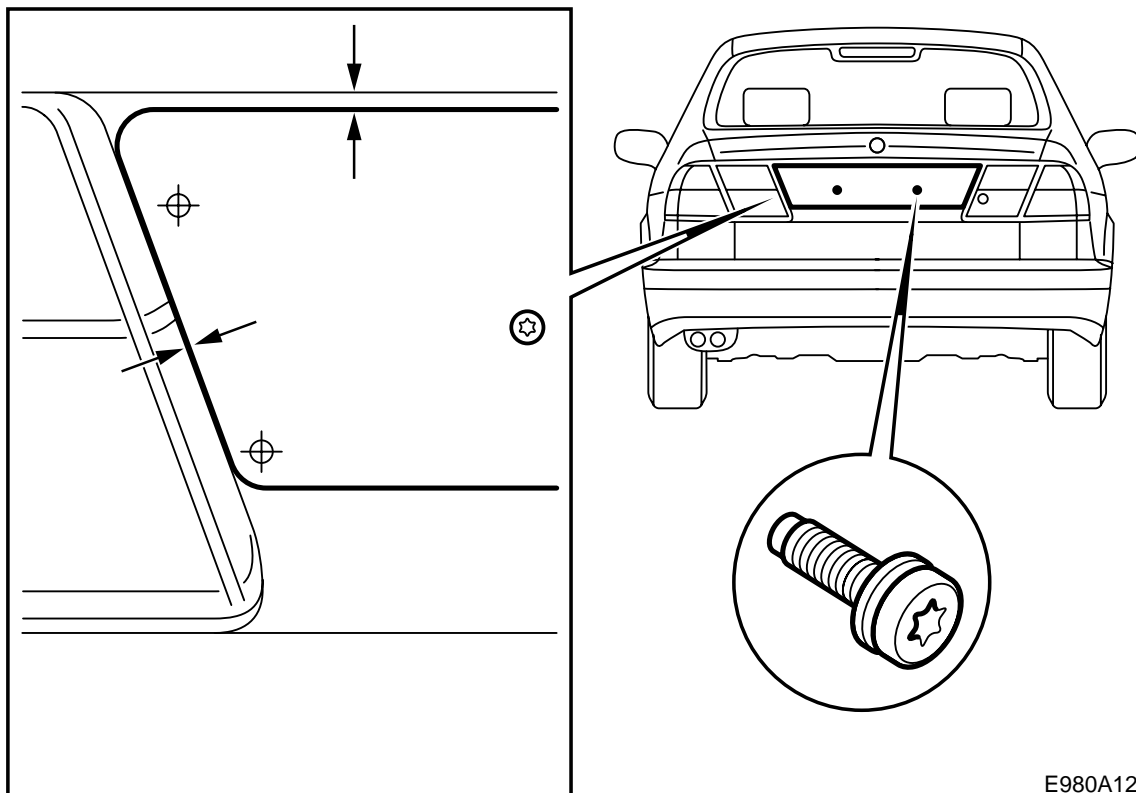
Rear trim panel

Accessories Part No.	Group	Date	Instruction Part No.	Replaces
400 106 233	8:41-06	May 99	46 77 274	46 77 274 Aug 98



E980A093

- 1 Trim panel
- 2 Bolt (2)
- 3 Nut (2)
- 4 Template
- 5 Zinc washer (4 pcs)
- 6 Foam rubber seal (4 pcs)



E980A122

- 1 Open the tailgate and remove the tailgate trim.

Important

The tailgate trim is held in place by means of triple-action rivets. Carefully press lightly on the centre part of the rivet and then withdraw it completely.

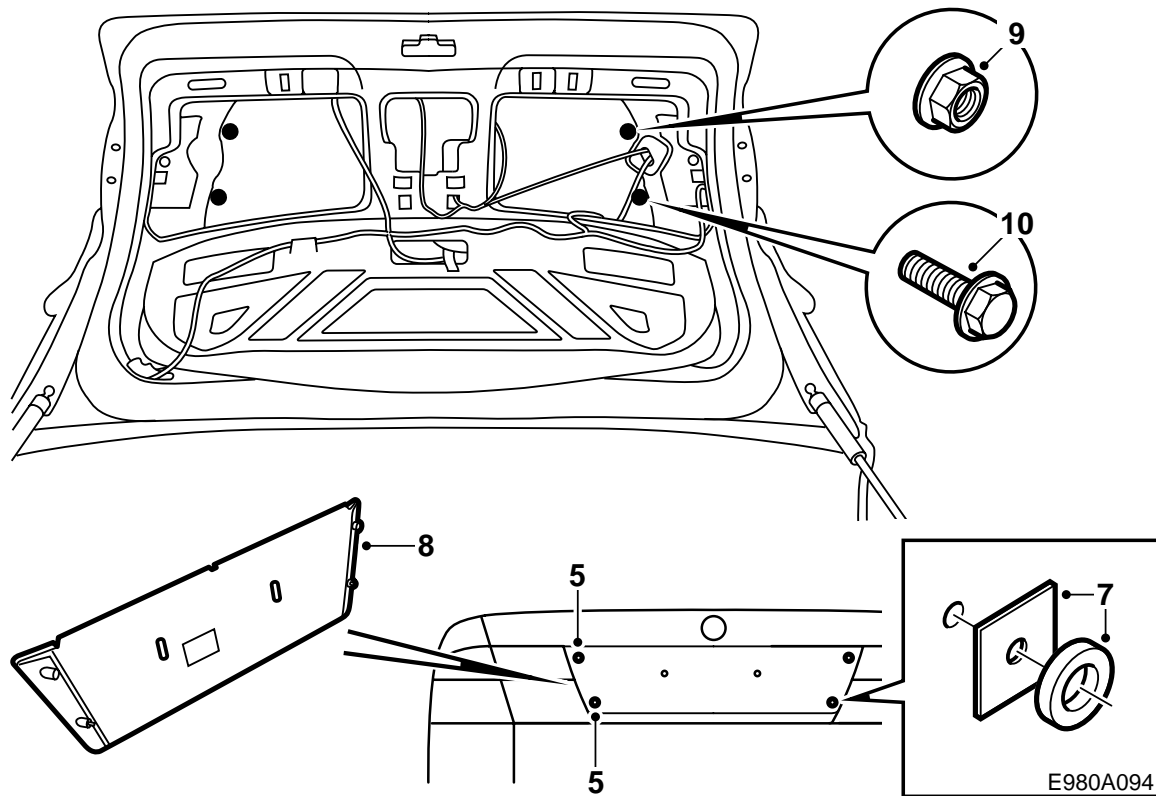
- 2 Remove the number plate.
- 3 Cut out both parts of the template along the unbroken line and glue them together.

Important

Make sure they fit together precisely.

Make holes for the number plate screws.

- 4 Fit the template and fixate it with the number plate screws. Make sure that there is equal clearance on the left and right sides at the top edge, as well as on the left and right sides towards the light clusters.
- 5 Mark the centres of the holes on the left and right sides with a punch. Remove the template. Drill with a \varnothing 6 mm bit. Check the position of the holes in relation to the trim panel. Drill with a \varnothing 9 mm bit. If needed, the holes can be filed to achieve correct position, however, to max \varnothing 9.5 mm.



- 6 Smooth off the holes, remove burrs and paint chips. Clean with Teroson Cleaner FL. Apply Standox 1K Fullprimer and then paint. Apply cavity sealant Terotex HV 400 or Mercasol 1 on internal surfaces.
- 7 Fit zinc washers and foam rubber seals over the four drilled holes, see illustration.
- 8 Make sure that the surface is clean where the panel is to be fitted. Fit so that there is equal clearance on the left and right sides at the top edge as well as on the left and right sides towards the rear light clusters.
- 9 Open the tailgate and tighten the nuts.
Tightening torque 3 Nm (2.2 lbf ft).
- 10 Tighten the bolts
Tightening torque 3 Nm (2.2 lbf ft).
- 11 Fit the number plate so that it is centred in relation to the panel and refit the tailgate trim.