



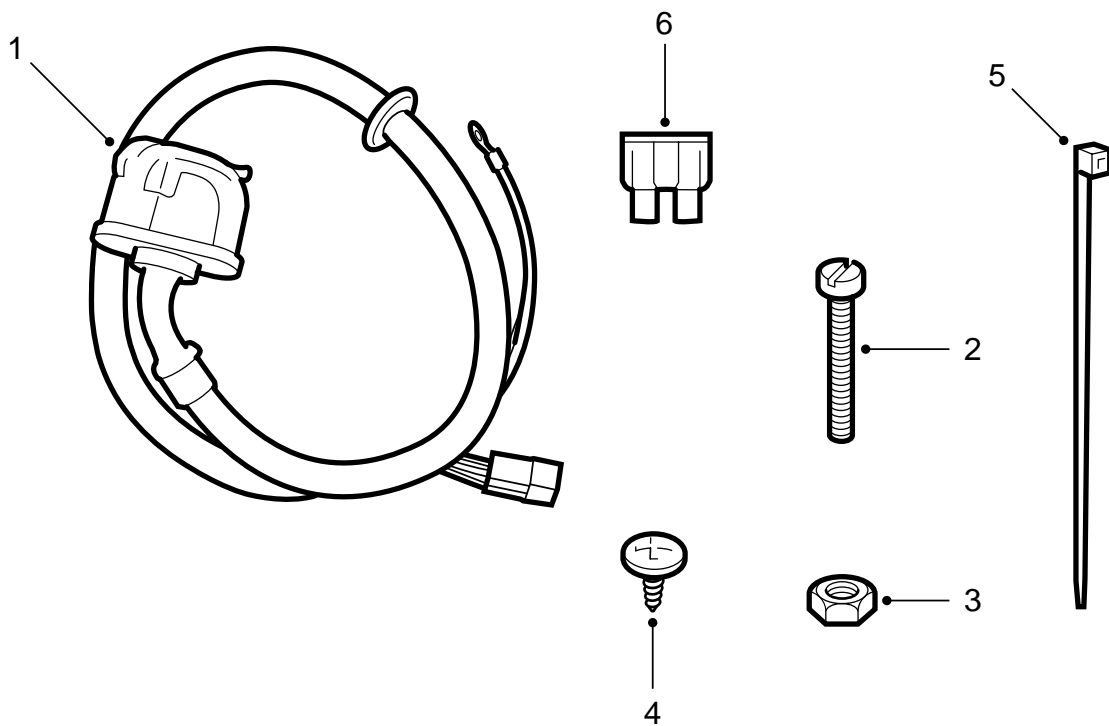
SAAB

**MONTERINGSANVISNING · INSTALLATION INSTRUCTIONS
MONTAGEANLEITUNG · INSTALLATIONS DE MONTAGE**

Saab 9-5

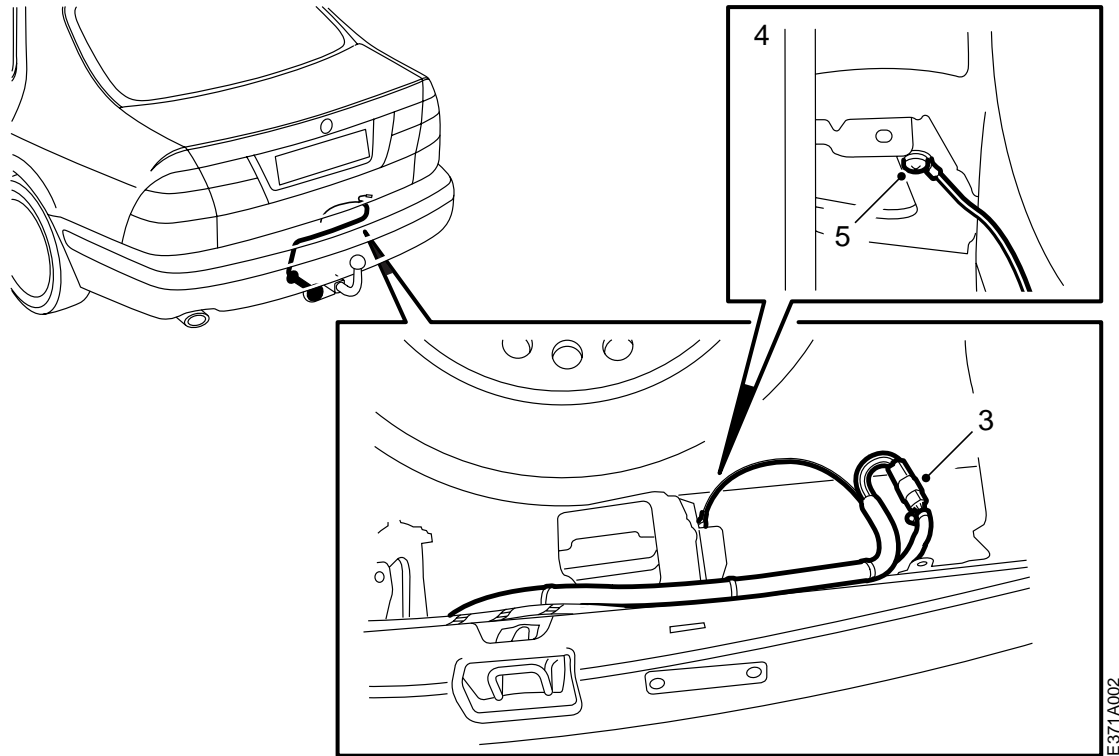
Wiring harness, 13-core

Accessories Part No.	Group	Date	Instruction Part No.	Replaces
400 106 282	3:71-23	Jun 98	48 05 107	48 05 107 Aug 96



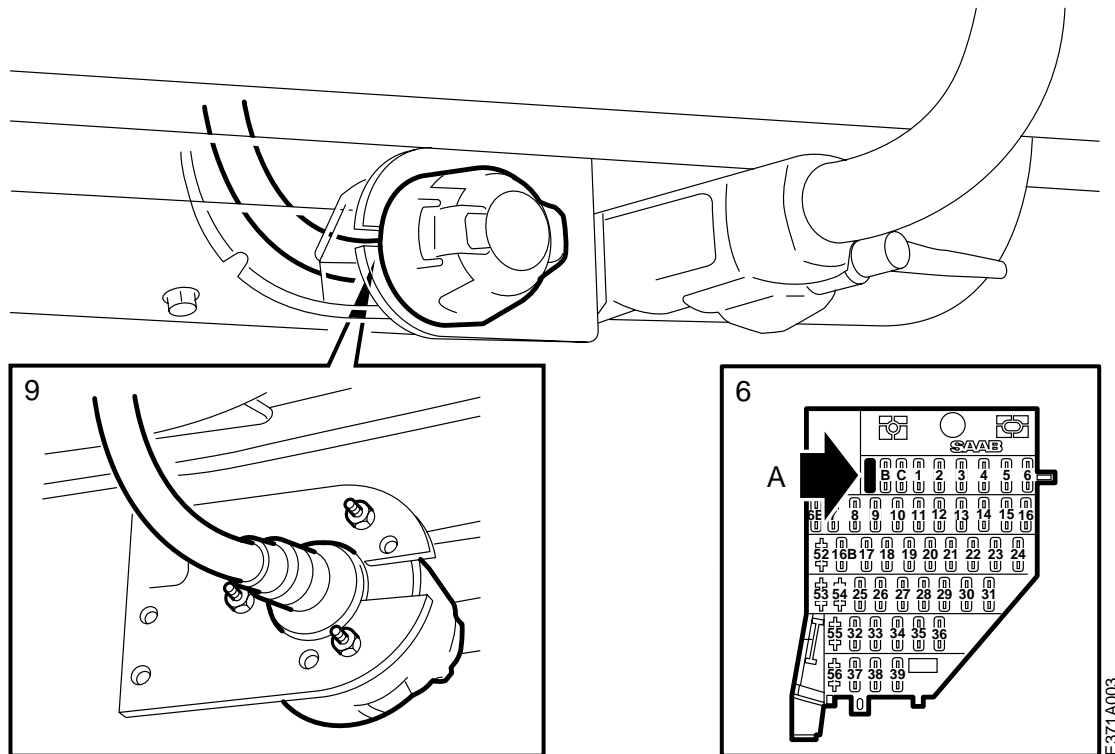
E371A007

- 1 Trailer connector, 13-pin
- 2 Screw (3)
- 3 Nut (3)
- 4 Self-tapping screw
- 5 Cable tie (3)
- 6 Fuse



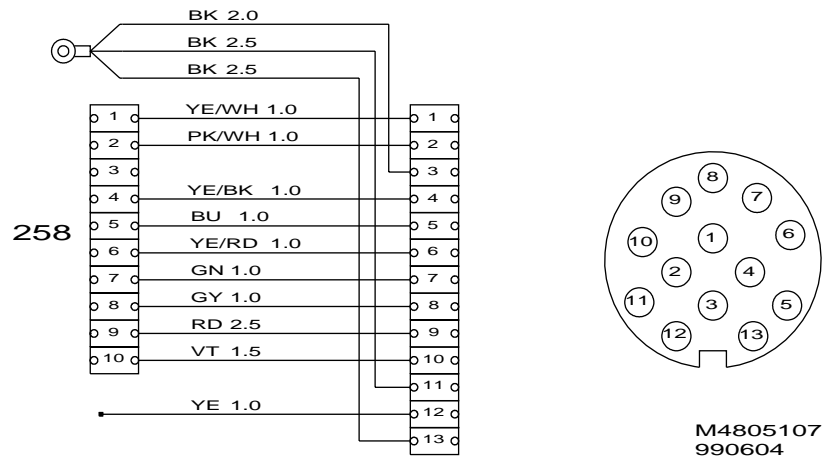
Starting point: rear bumper removed.

- 1 Remove the rubber plug from the rear bumper abutment.
- 2 Run the kit's wiring harness into the luggage compartment.
- 3 Connect the towing hitch wiring harness to the wiring harness connector on the car. Insulate the loose yellow cable.
- 4 Use a 5.0 mm diam. bit to drill a hole in the righthand reinforcement plate, as shown.
- 5 Scrape away the paint from around the drill hole and screw on the grounding cable on the wiring harness with a plate screw.



- 6 Fit the fuse (25A) in position A on the main fuse board in the end of the dashboard next to the driver's door.
- 7 Check the functionality of the connector.
- 8 Fit the trailer connector (see separate fitting instructions) and the bumper.
- 9 Mount the connector on the bracket so that the cover opens to the left.
- 10 Adjust the wiring harness between the connector and the rear bumper abutment.
- 11 Fit the wiring harness's rubber grommet in the rear bumper abutment's lead-through hole.
- 12 Use cable ties to secure the wiring harness.

E371A003



Wiring diagram

The table refers to the 13-pin towing hitch connector.

- 1 Left-hand direction indicator
- 2 Rear fog light
- 3 Ground
- 4 Right-hand direction indicators
- 5 RH parking light
- 6 Brake lights
- 7 LH parking light
- 8 Reversing lights
- 9 +30
- 10 +54
- 11 Ground
- 12 Not used
- 13 Ground