



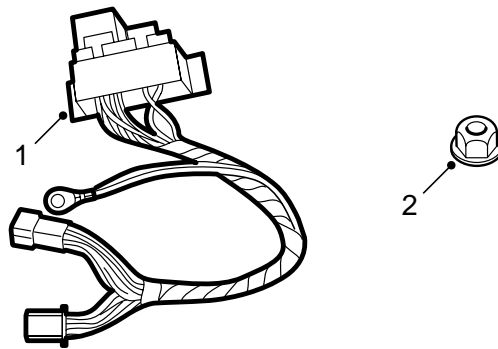
**SAAB**

**MONTERINGSANVISNING · INSTALLATION INSTRUCTIONS  
MONTAGEANLEITUNG · INSTALLATIONS DE MONTAGE**

## Saab 9-5

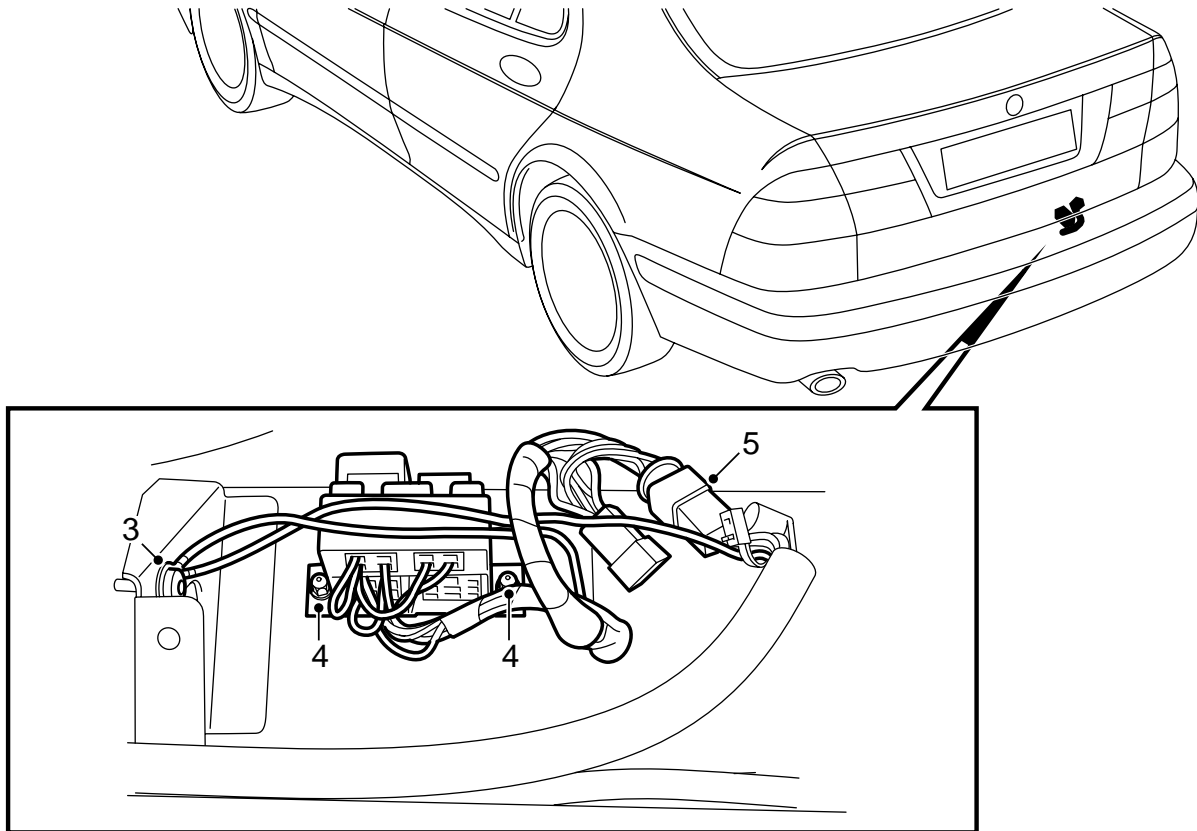
Wiring harness kit, charging

Accessories Part No.	Group	Date	Instruction Part No.	Replaces
400 106 308	3:71-24	Jun 98	48 05 123	48 05 123 May 97



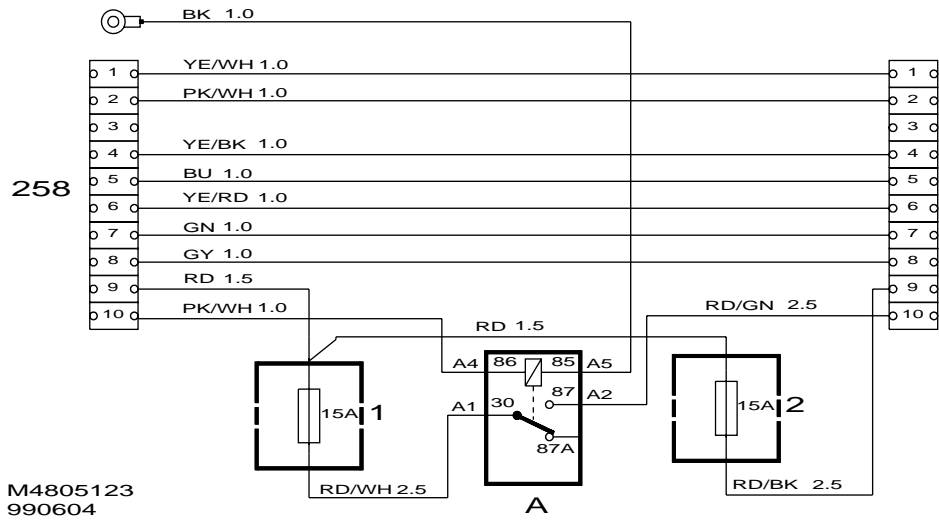
- 1 Wiring harness kit
- 2 Plastic nut (2)

E930A023



E930A019

- 1 Remove the cover on the rear bumper abutment and lift up the luggage compartment carpet.
- 2 Drill a hole in the right-hand reinforcement plate with a 5.0 mm bit unless the towing attachment's wiring harness is already grounded there.
- 3 Scrape away the paint from around the drill hole and fasten the ground cable on the wiring harness with the plate screw.
- 4 Fit the relay holder onto the welded bolts on the rear bumper abutment.
- 5 Connect the wiring harness for the relay box between the car's wiring harness and the towing attachment's wiring harness.
- 6 Secure the wiring harness at the front so that the jack does not chafe the leads.
- 7 Check the functionality of the wiring harness.
- 8 Refit in reverse order.



## Wiring diagram

258 Towing hitch connector on the car