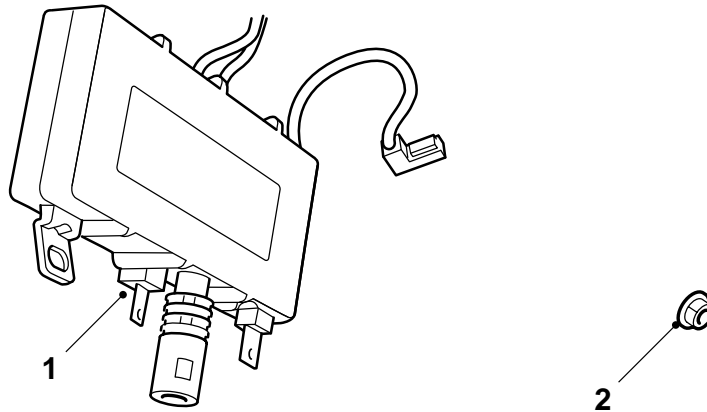




**MONTERINGSANVISNING · INSTALLATION INSTRUCTIONS
MONTAGEANLEITUNG · INSTRUCTIONS DE MONTAGE**

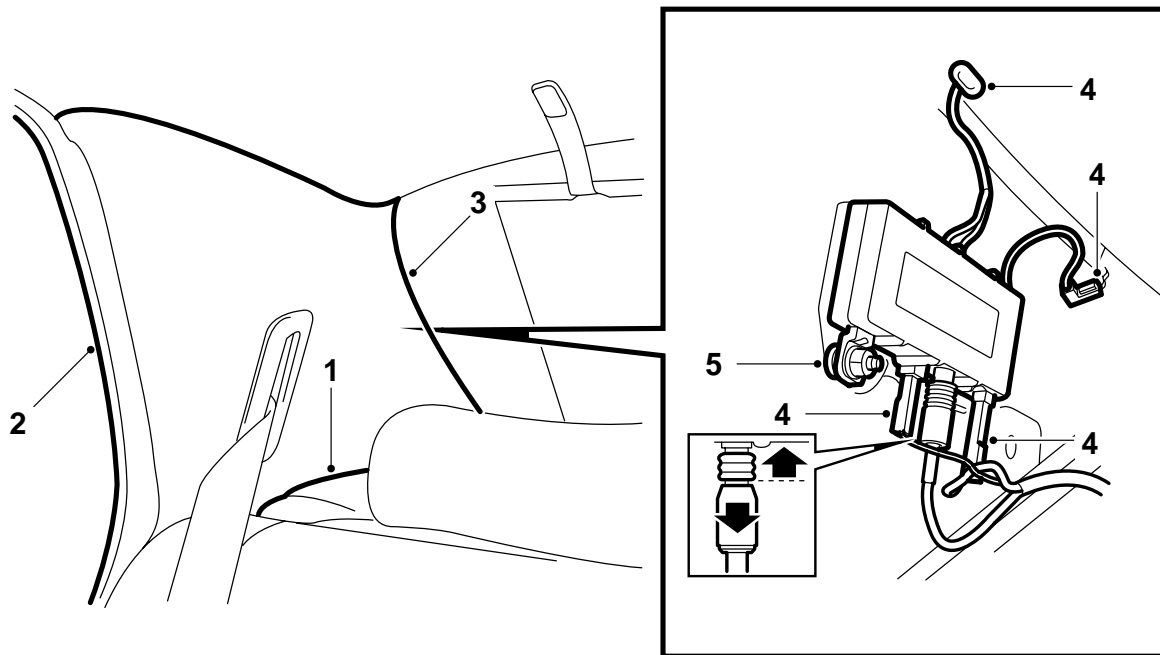
Saab 9-5
Aerial amplifier

Accessories Part No.	Group	Date	Instruction Part No.	Replaces
48 70 317 400 106 688 400 106 696	9:36-2	Sep 06	47 12 238	47 12 238 Feb 99



- 1 Aerial amplifier
- 2 Nut (2)

E367A008



E367A009

- 1 Remove the loudspeaker grille from the parcel shelf on the right-hand side.
- 2 Remove the sealing strip.
- 3 Remove the trim on the right-hand C pillar to gain access to the aerial amplifier.
- 4 Unplug all connectors and remove all connections from the previously fitted aerial amplifier as well as the rear window connections.
- 5 Unbolt the aerial amplifier and remove same.
- 6 Bolt the new aerial amplifier in place.
- 7 Plug in the connectors and connect the leads on the aerial amplifier and rear window.
- 8 Refit the trim, sealing strip and loudspeaker grille.