



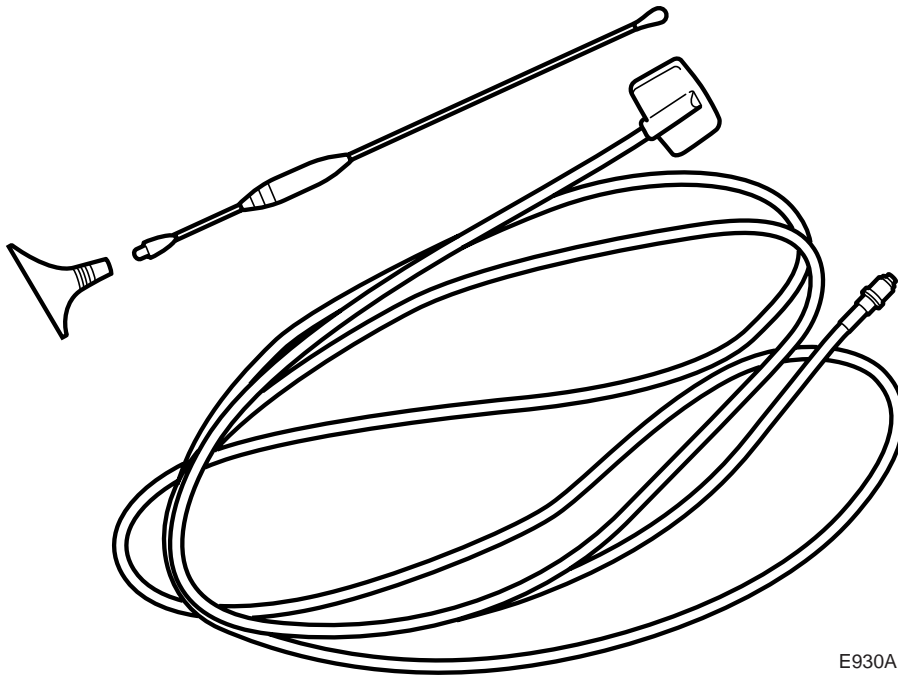
**SAAB**

**MONTERINGSANVISNING · INSTALLATION INSTRUCTIONS  
MONTAGEANLEITUNG · INSTALLATIONS DE MONTAGE**

## Saab 9-5 4D

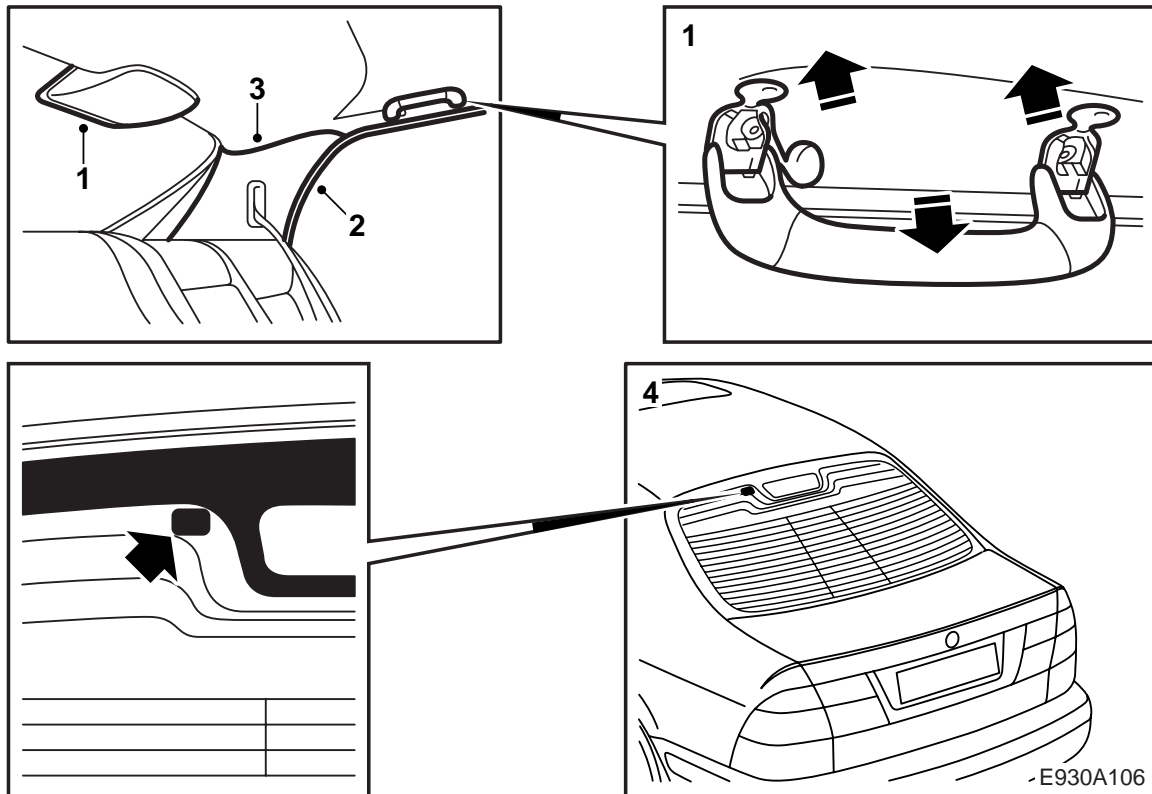
Telephone aerial, window mounting

Accessories Part No.	Group	Date	Instruction Part No.	Replaces
400 106 712	3:67-34	Mar 99	47 12 303	47 12 303 May 98



E930A105

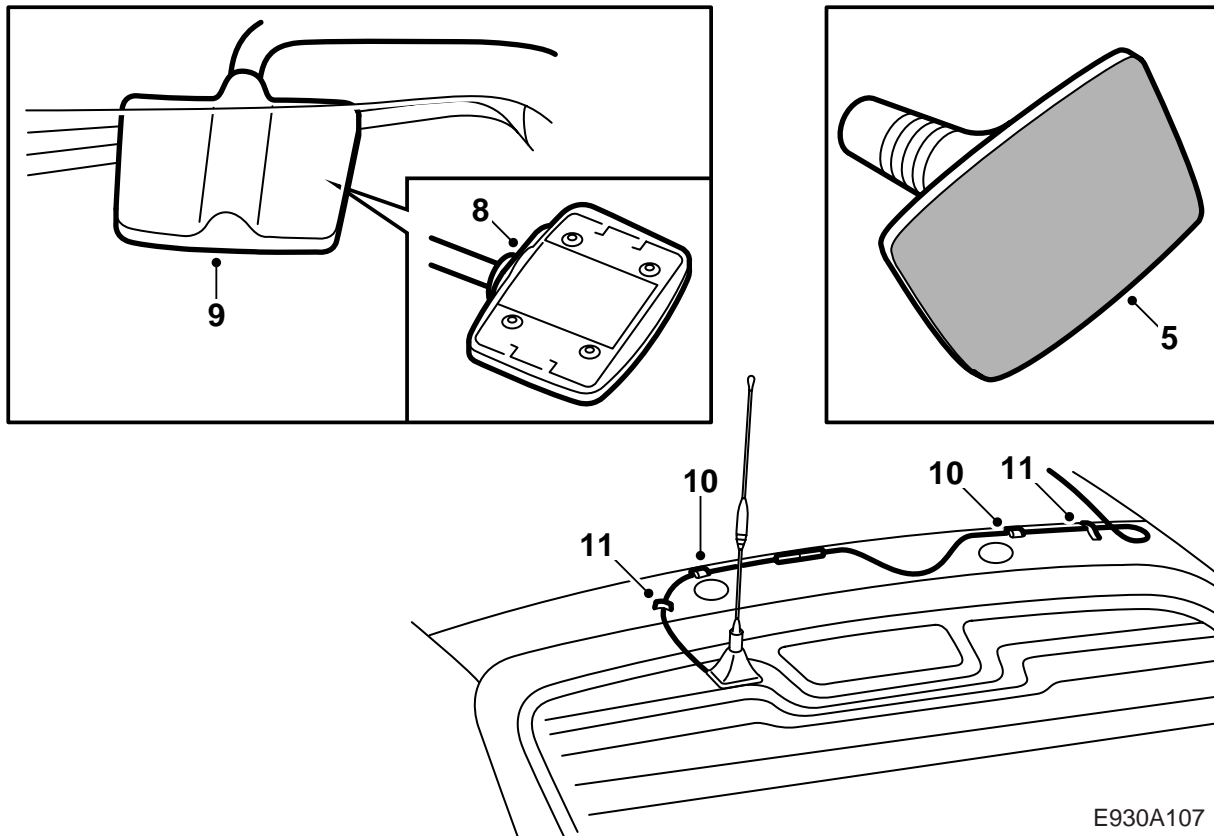
- 1 Aerial base
- 2 Aerial mast
- 3 Aerial cable



- 1 Remove the rear grab handles and the high-level brake light's cowl.
- 2 Remove the upper part of the door weatherseal at both rear doors.
- 3 Detach the rear part of the headlining and the trim from both C pillars.
- 4 Thoroughly clean the window, both inside and out, in the area where the aerial is to be mounted. Use the flannel supplied to wash the glass and dry it with a lint-free cloth.

### Important

The temperature must be above 10°C. Antennen får inte monteras på rutans svarta fält.



E930A107

- 5 Remove the protective paper from the base of the aerial. Do not touch the tape and do not let it come into contact with anything before mounting it on the window.
- 6 Position the aerial on the outside of the window. First place the lower edge of the aerial's base on the glass and then press the entire base hard against the window for about 60 seconds. Make sure that there are no air bubbles between the window and the base of the aerial.
- 7 Fold down the headlining and unplug the existing aerial cable with clip and plug in the aerial cable.
- 8 Remove the protective paper from the receiver. Do not touch the tape and do not let it come into contact with anything before mounting it on the window.
- 9 Carefully bring the receiver into position on the inside of the window and align it with the aerial base, aerial cable upwards. First place the lower edge of the receiver on the glass and then press the entire receiver on the glass and then press the entire receiver hard against the window for about 60 seconds.
- 10 Tape the aerial cable to the clip and fit the clip to the edge of the plate, see illustration.
- 11 Tape the aerial cable to the inside of the roof. Make sure it will not rattle.
- 12 Check the function
- 13 Lift up the headlining and press the clips home.
- 14 Refit the C pillar trim, high-level brake light cowl, door weatherseals and grab handles.
- 15 Screw the aerial mast to the aerial base and adjust it to a vertical position. An inclination of about 10° results in a loss of about 3dB of signal power.

---

### Important

The car should not be washed in an automatic carwash for at least 72 hours because the adhesive must be given time to harden.

---

- 16 Leave the fitting instructions inside the car.
- 17 Point out to the car owner that the aerial mast must be removed each time the car is washed in an automatic car wash.