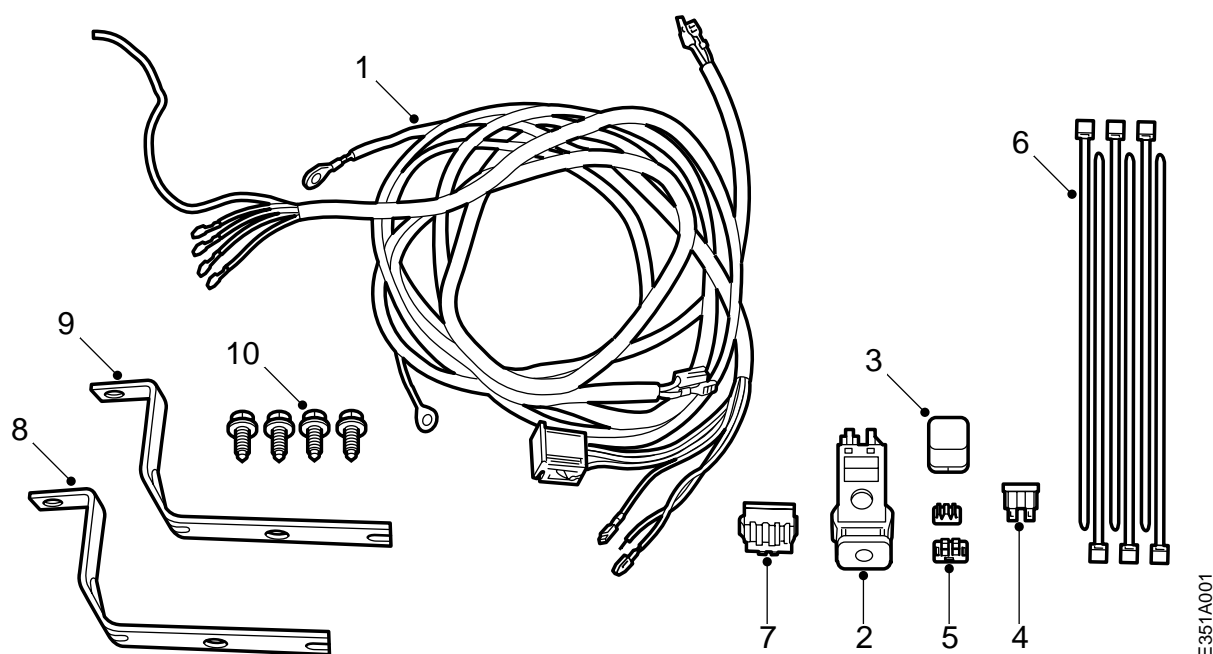



SAAB
**MONTERINGSANVISNING · INSTALLATION INSTRUCTIONS
MONTAGEANLEITUNG · INSTALLATIONS DE MONTAGE**

Saab 9-5

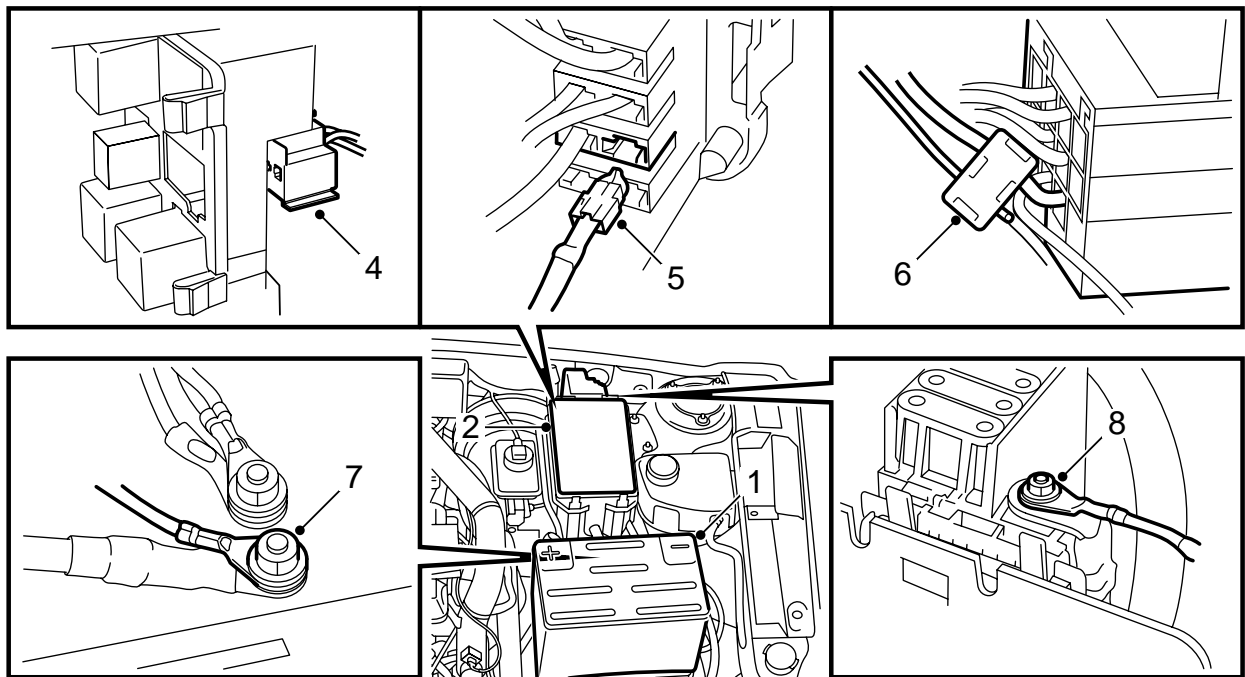
Installation kit, extra lights

Accessories Part No.	Group	Date	Instruction Part No.	Replaces
400 107 322	3:51-30	Apr 99	47 85 267	47 85 267 May 97

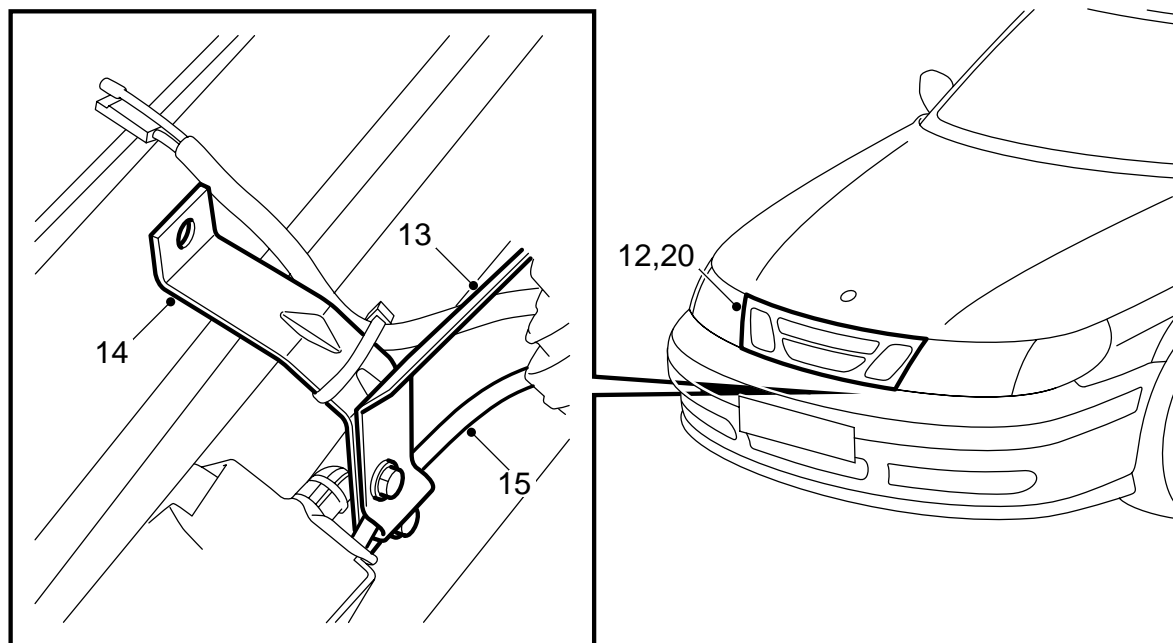


E351A001

- 1 Wiring harness
- 2 Switch
- 3 Relay
- 4 Fuse
- 5 Distribution block (2)
- 6 Cable tie (10)
- 7 Connector
- 8 Bracket, left-hand
- 9 Bracket, right-hand
- 10 Screw (x4)

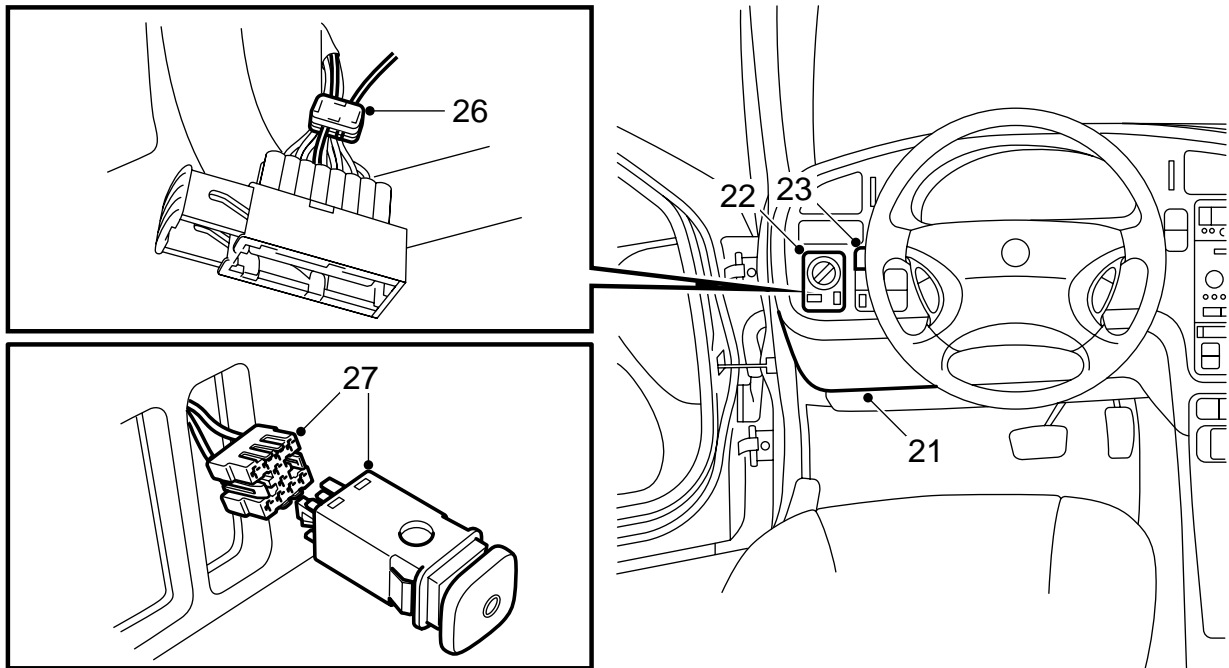


- 1 Disconnect the negative battery cable.
- 2 Undo and lift up the main fuse box in the engine bay.
- 3 Remove the seal/cable tie on the main fuse box, open the lid and then lift out the relay board.
- 4 Fit the wiring harness relay holder in position 4. Check that it snaps into place.
- 5 Connect the wiring's red leads with contact pins to fuse 12.
- 6 Connect the green lead by means of a distribution block to the white lead from pin 8 of the filament monitor (relay position 13).
- 7 Run the wiring harness through the main fuse box. Connect the wiring's black lead (ring terminal) to the outer grounding point on the left-hand structural member in front of the battery.
- 8 Connect the red lead (ring terminal) to the main maxi fuse board's battery input terminal.
- 9 Fit the relay board back in the main fuse box and fit the fuse box back in place.
- 10 Fit the relay in position 4 in the main fuse box.
- 11 Fit the fuse in position 12 on the main relay board in the engine bay and fit the lid back in place.



E351A003

- 12 Remove the front grille.
- 13 Remove the horn brackets and the front intake manifold mounting.
- 14 Fit the brackets for the extra lights onto the bumper member together with the horn brackets using the screws included in the kit.
Refit the intake manifold.
- 15 Make sure that the washer fluid hose is not trapped between the brackets but runs in its groove
- 16 Remove the left-hand headlamp and left-hand direction indicator. Lay the wiring harness along the existing wiring harness up to the brackets.
- 17 Mount the lamps on the brackets.
- 18 Connect the yellow and black leads to their respective lamps.
- 19 Secure the harness from the main fuse box to the bracket with cable ties.
Refit the left-hand headlamp and direction indicator.
- 20 Refit the front grille



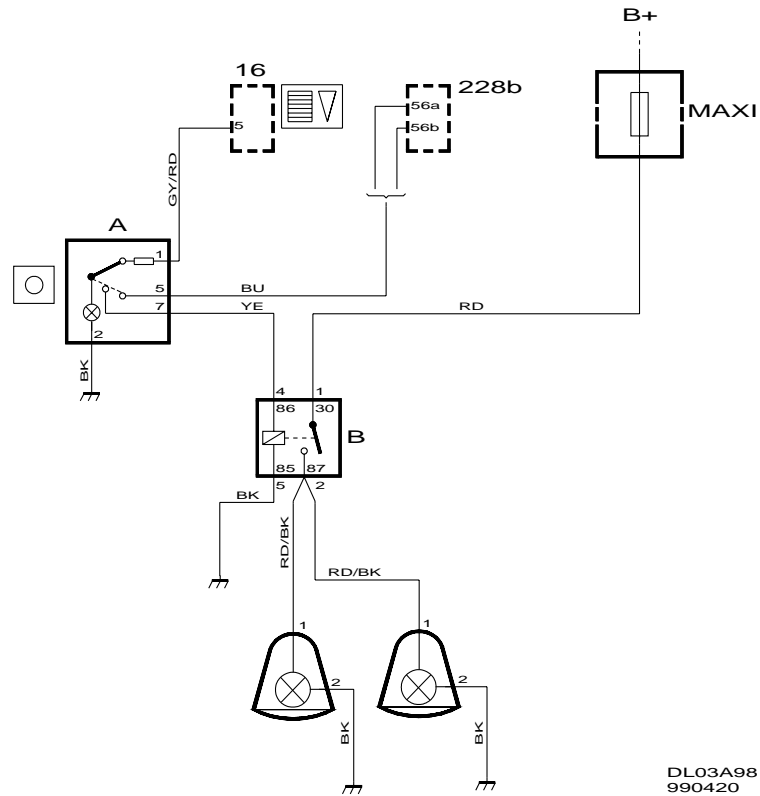
E351A004

- 21 Remove the acoustic insulation panel above the pedal assembly.
- 22 Remove the lights switch unit.
- 23 Remove the upper cover on the switch assembly between the steering wheel and door.
- 24 Run the wiring through the bulkhead partition grommet and into the cabin.
- 25 Run the leads up to the dashboard and connect them to the installation kit's connector as follows:
- 28 Secure any surplus wiring by means of cable ties. Check that the cables are clear of any moving parts.
- 29 Refit the lights switch unit and acoustic insulation panel.
- 30 Reconnect the negative battery cable.
- 31 Switch on the ignition and test the extra lights and instrument lighting, making sure that they are in proper working order.
- 32 Check that the lights are wired in conformity with the country's legal requirements. Check and adjust the alignment of the extra lights.

Pin	Colour
1	BN
2	BK
3	-
4	-
5	GN
6	-
7	-
8	BL

- 26 Connect the brown lead by means of a distribution block to the blue/white lead on pin 5 of the lights switch connector.
- 27 Connect the wiring's connector to the extra lights switch and mount the switch in the dashboard.

Wiring diagram



	10	12FL	228b	342a	628	FL	FR
	Lights switch	Left-hand main beam	Relay, front filament monitor	Main fuse board in the engine bay	DICE	Left-hand extra light	Right-hand extra light