



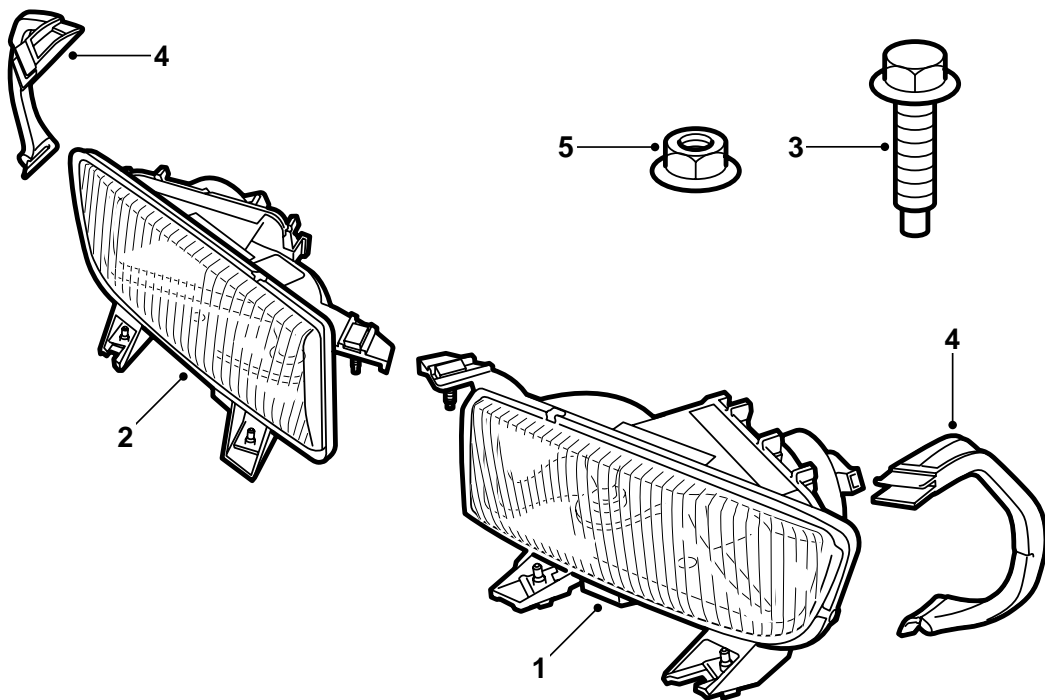
SAAB

INSTALLATION INSTRUCTIONS

Saab 9-5

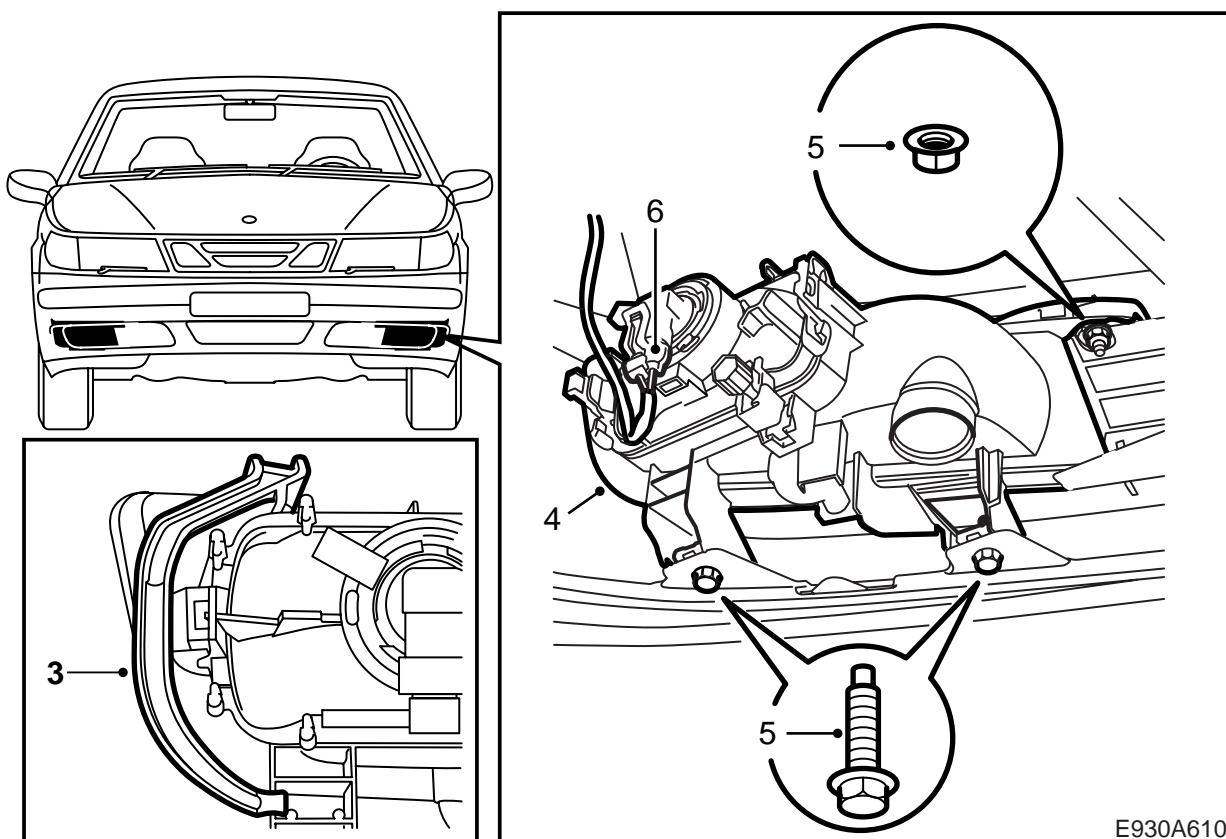
Fog lights

Accessories Part No.	Group	Date	Instruction Part No.	Replaces
400 107 330	9:35-03	Jun 98	48 33 208	48 33 208 Sep 96



E930A609

- 1 Fog light, left
- 2 Fog light, right
- 3 Bolt and washer (x4)
- 4 Bracket (x2)
- 5 Nut and washer



- 1 Loosen the right and left-hand covers underneath the bumper.
- 2 Detach the pre-wired harness for the fog lights from inside the covers (2-pin connector with red/black and black cable).
- 3 Fit the bracket marked RH to the right fog light and the bracket marked LH to the left fog light.
- 4 Fit the fog lights into the bumper so that the support fixture on the bracket snaps around the edge of the aluminium rail.
- 5 Screw the bolts into the clip-fasteners on the lower flange and fit the nuts at the top edge.
- 6 Plug the relevant connectors to the fog lights.
- 7 Adjust the position of the fog lights so they do not dazzle oncoming traffic.
- 8 Make sure their on/off function meets with applicable traffic regulations.