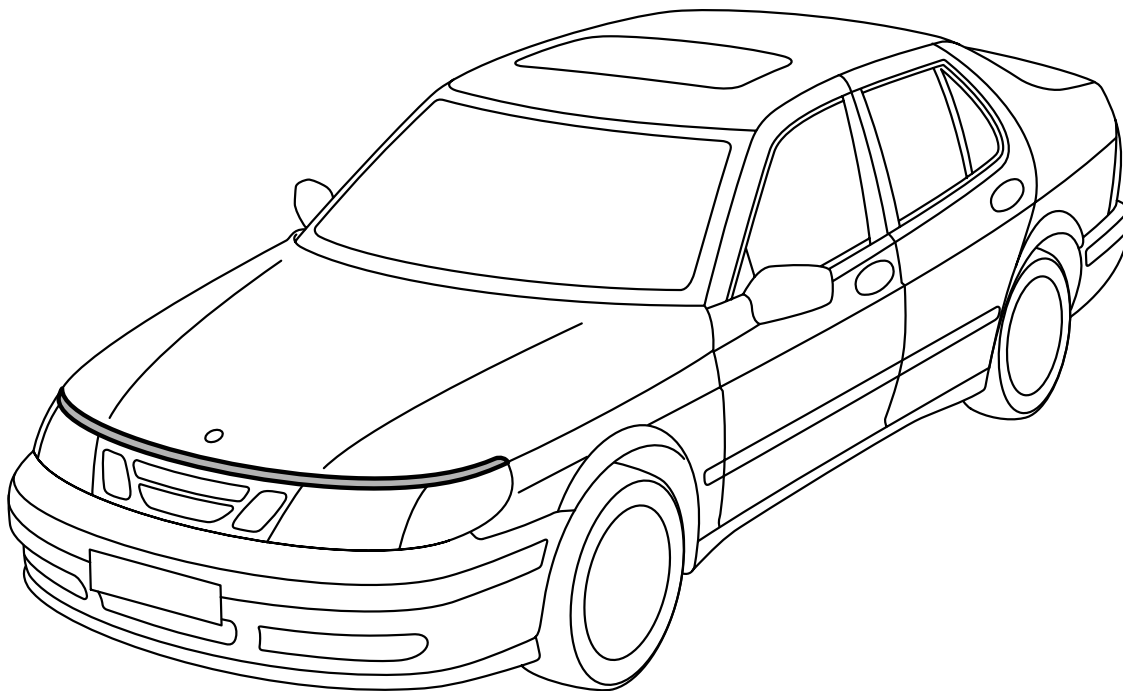


**SAAB****MONTERINGSANVISNING · INSTALLATION INSTRUCTIONS
MONTAGEANLEITUNG · INSTALLATIONS DE MONTAGE**

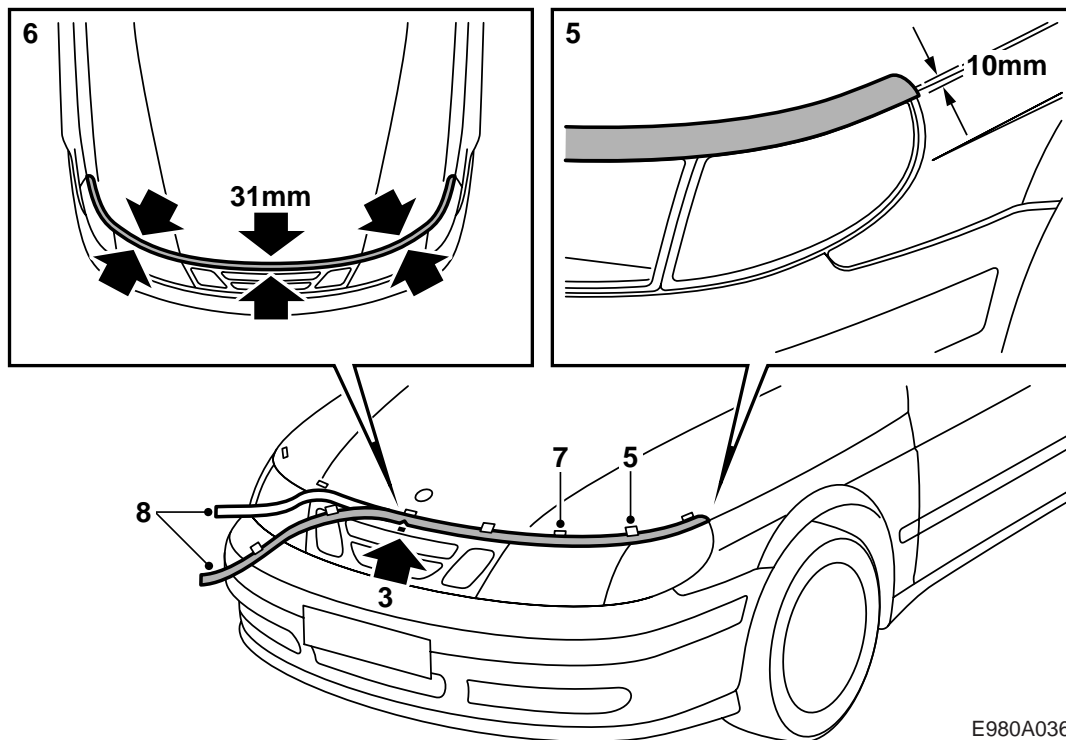
Saab 9-5

Stone damage guard for bonnet

Accessories Part No.	Group	Date	Instruction Part No.	Replaces
400 108 056	8:20-3	May 97	48 55 433	



E980A035



E980A036

Important

When fitting the stone guard, the temperature should not be below +15°C. This applies to the ambient temperature as well as the temperature of the surface on which the stone guard is to be applied.

- 1 Detach the bonnet's sealing strip from the middle and out towards the sides, past the joint between the direction indicator lamps and the front wing.
- 2 Thoroughly clean the underlying surface (including the underside of the bonnet), removing all dust, oil, car wax, etc. Use a lint-free cloth and wipe dry with a dry cloth.
- 3 Measure up the centre line and mark it on a piece of adhesive tape stuck to the front grille.
- 4 Align the notch in the stone guard with the centre line of the car as marked on the piece of adhesive tape.
- 5 Fasten the stone guard with adhesive tape 31 mm from the bonnet's tuck-in all the way out to the direction indicator lamps. The ends of the stone guard should protrude 10 mm below the bonnet's tuck-in.
- 6 Check that the stone guard forms a straight line.
- 7 Fasten some pieces of adhesive tape along the upper edge of the stone guard as guides when fitting it in place.
- 8 Fold out one half of the stone guard and detach the backing paper.
- 9 Cut the backing paper in the middle.
- 10 Align the stone guard and press it in position with a plastic scraper. Check the stone guard ends at the direction indicator's rubber moulding on each side.
- 11 Fold in the stone guard round the edge of the bonnet. Use a hot-air gun. Make sure that all edges adhere properly.
- 12 Fasten the other half in the same way.