



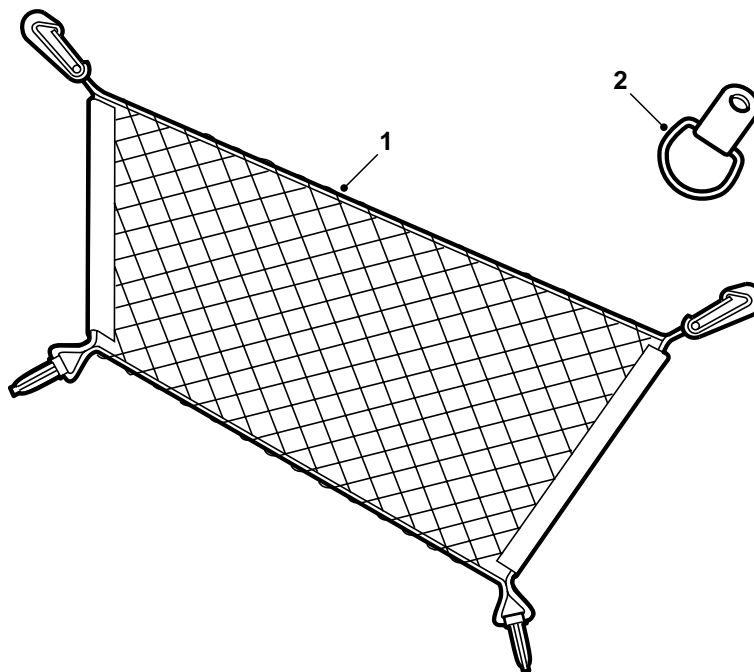
SAAB

**MONTERINGSANVISNING · INSTALLATION INSTRUCTIONS
MONTAGEANLEITUNG · INSTALLATIONS DE MONTAGE**

Saab 9-5

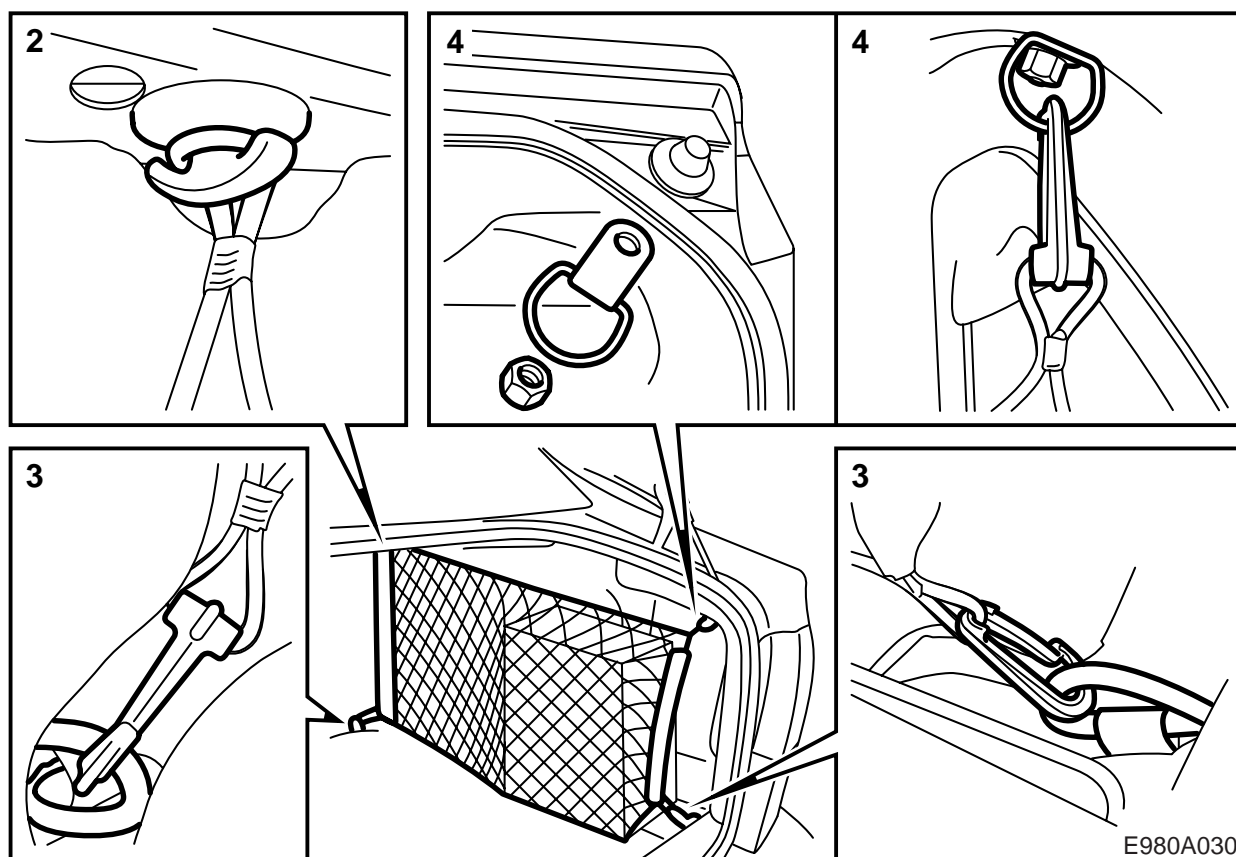
Luggage safety net

Accessories Part No.	Group	Date	Instruction Part No.	Replaces
400 108 296	8:91-11	Jun 97	50 26 968	



E980A029

- 1 Luggage safety net
- 2 Retaining eye



- 1 Tip the rear seat backrest forwards.
- 2 Fasten the safety net's retaining loop which has no clip round the double hook under the parcel shelf.
- 3 Hook the safety net to the two lashing points on the luggage compartment floor.
- 4 Remove the nut above the access cover for the RH rear light and fit the retaining eye. Hook the safety net to it.

⚠ WARNING

The luggage safety net must not be used for securing loads but only to prevent luggage, etc. from sliding around in the luggage compartment. To secure loads, use the lashing points.

There must be nothing in the luggage safety net when the rear seat backrest is folded down.